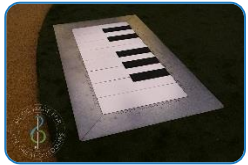
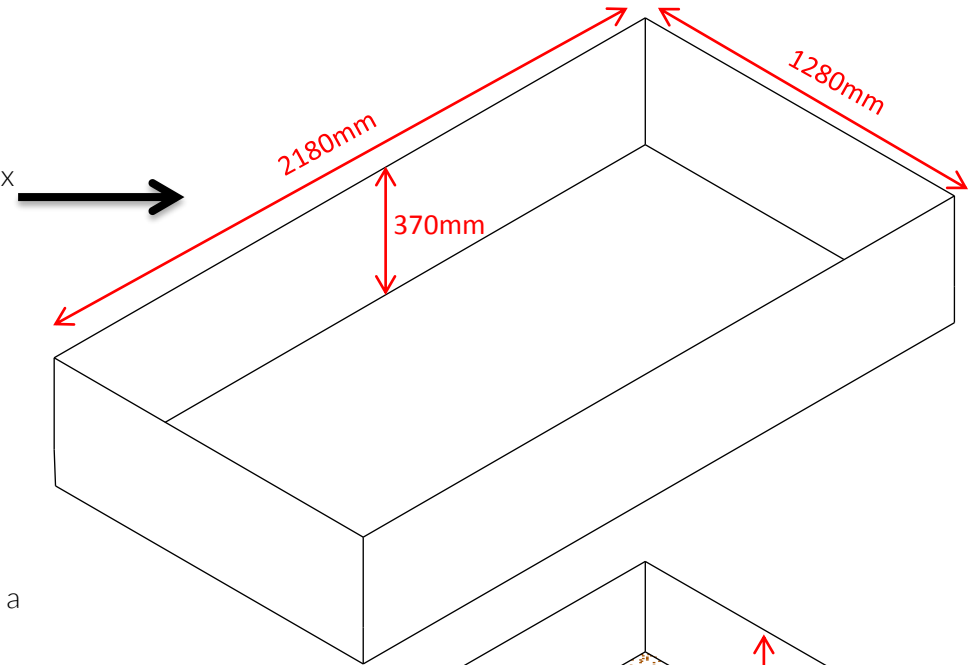


Ground Fixed

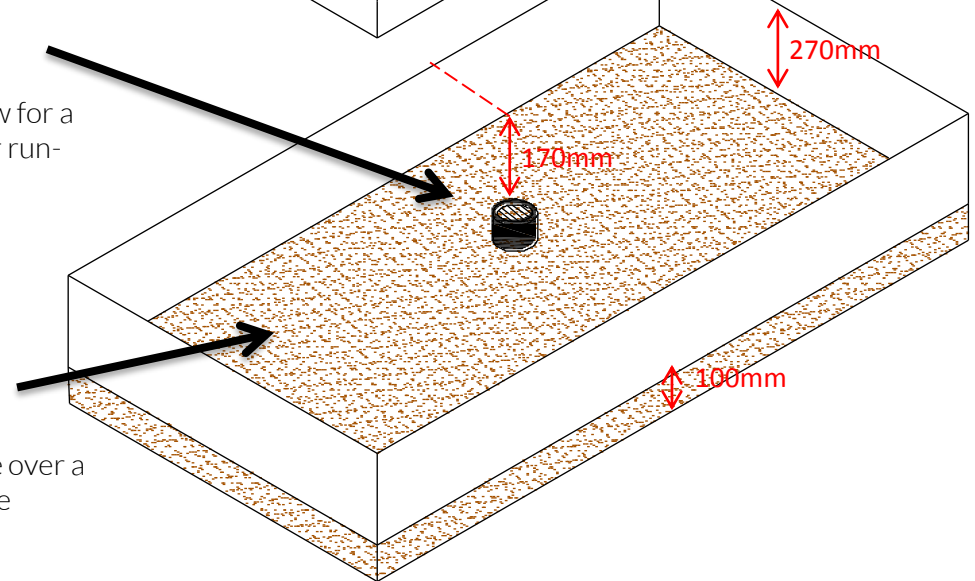
Piano Chimes
13 Notes 1 of 7



1. Excavate hole below finished installation level (including surfacing) with dimensions of 2180mm x 1280mm x 370mm.



2. To prevent flooding the foundations should be connected to a rainwater drainage system such as a storm drain or soakaway.
3. Install drainage inlet centrally in excavated area 170mm from finished ground level. This will allow for a slight fall in the concrete pad to encourage water run-off.

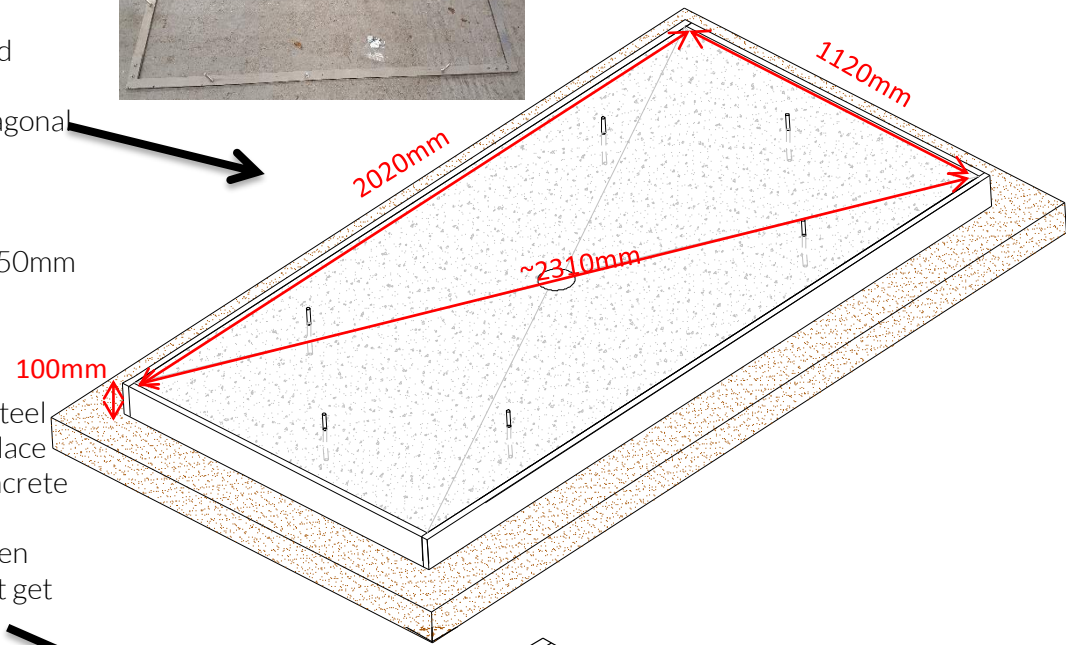


4. Lay a level compacted 100mm granular sub-base over a geo-textile. This will help to spread the load of the concrete installation pad.

Metric Conversion:
100mm/4"
170mm/6 11/16"
270mm/20 55/64"
370mm/14 9/16"
1280mm/50 25/64"
2180mm/85 53/64"

Ground Works Piano 13 Notes

5. Create timber shuttering on top of compacted sub-base with an internal area of 2020mm x 1120mm x 100mm.
 - Note – finished height to top of shuttering should be maximum 170mm below finished installation level (including surfacing).
 - To ensure shuttering is square, internal diagonal measurements should be ~2310mm.



6. Install A142 steel reinforcing mesh (or similar) on 50mm plastic or steel supports or “chairs” to hold mesh vertically centred in shuttering area.
7. Install the supplied installation studs jig on top of steel mesh and centre between shuttering and affix in place using cable ties (to ensure no movement when concrete is poured).
 - Note – threaded studs must be covered when concrete is poured to ensure threads do not get concrete on them.
 - Threads should protrude 30mm from top of shuttering.



M10x80mm Studs 8.8 HT BZP fixed to Jig rests on mesh

SHUTTERING

50mm CONCRETE BELOW MESH

A142 MESH MIN 50mm COVER TOP & BOTTOM

50mm CONCRETE ABOVE MESH

TYPE 1 SUB BASE

8. Pour 100mm depth concrete pad and create slight fall to previously fitted drainage inlet.
 - Consider mixing reinforcement fibres in concrete mix predominantly for crack control rather than structural strengthening.
 - Allow to poured concrete pad to cure for 24-72 hours before proceeding to next step.
 - Remove shuttering after 24-72 hours.

Ground Fixed

Piano Chimes
13 Notes 2 of 7



Metric Conversion:
100mm/ 8"
1120mm/ 44 3/32"
2020mm/ 79 17/32"
2310mm/ 90 15/16"

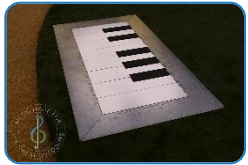


MADE IN BRITAIN

BSEN 1176

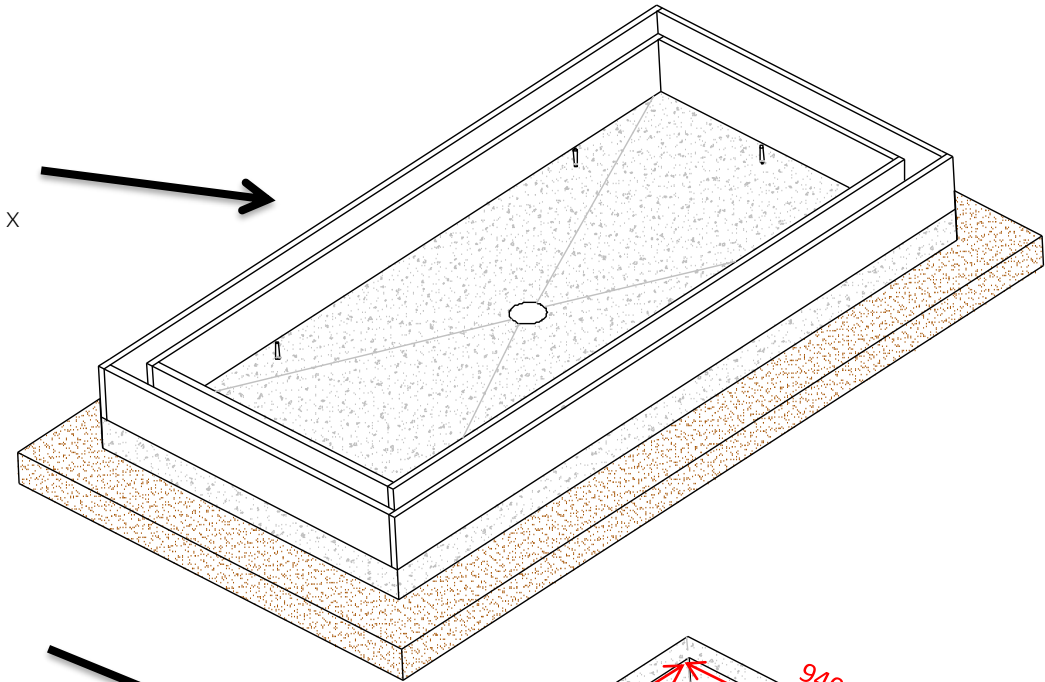
Ground Fixed

Piano Chimes
13 Notes 3 of 7



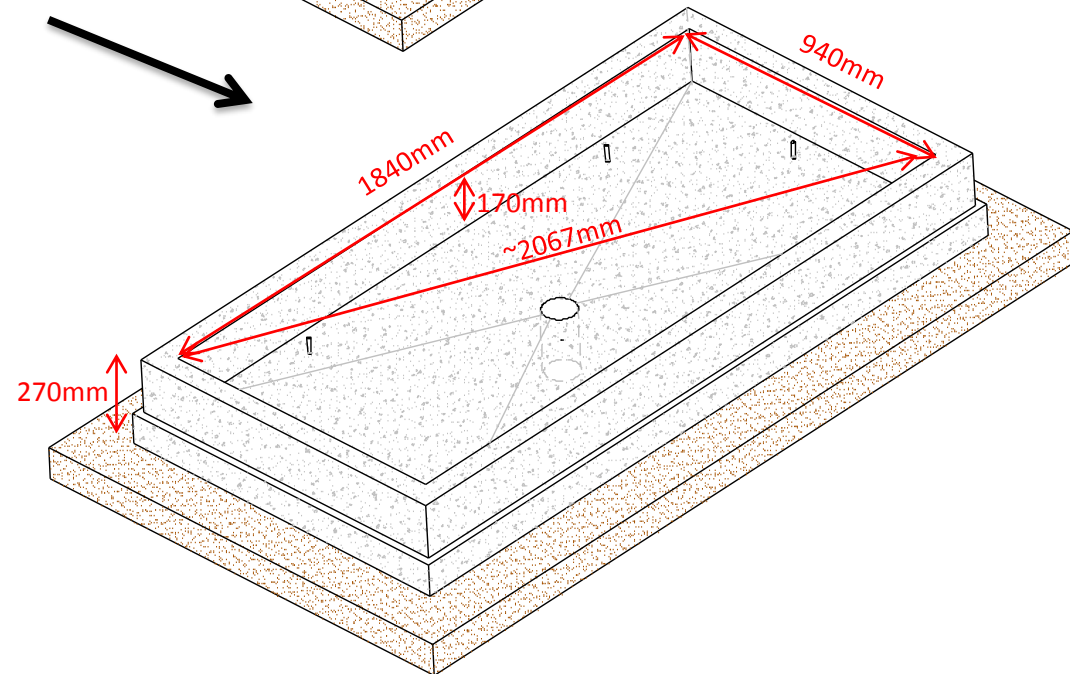
9. Create timber shuttering onto concrete pad to cast concrete walls to create an internal area (after shuttering has been removed) of 1900mm x 1000mm x 170mm.

- Note – finished height to top of shuttering should be as close to level of finished installation level to a tolerance +0/-10mm (including surfacing).
- To ensure shuttering is square, external diagonal measurements should be ~2147mm.



10. Pour concrete between shuttering to cast concrete walls and ensure walls are filled to top of shuttering and level.

- Consider mixing reinforcement fibres in concrete mix predominantly for crack control rather than structural strengthening.
- Remove shuttering after 24-72 hours.



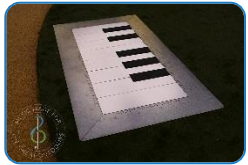
11. Backfill with soil or aggregate around external walls.

12. We recommend allowing concrete to cure for a minimum of 1 week prior to installing Floor Piano.

Metric Conversion:
170mm/ 6 11/16"
270mm/ 10 5/8"
940mm/ 37 1/64"
1840mm/ 72 7/16"
2067mm/ 81 3/8"

Ground Fixed

Piano Chimes
13 Notes 4 of 7

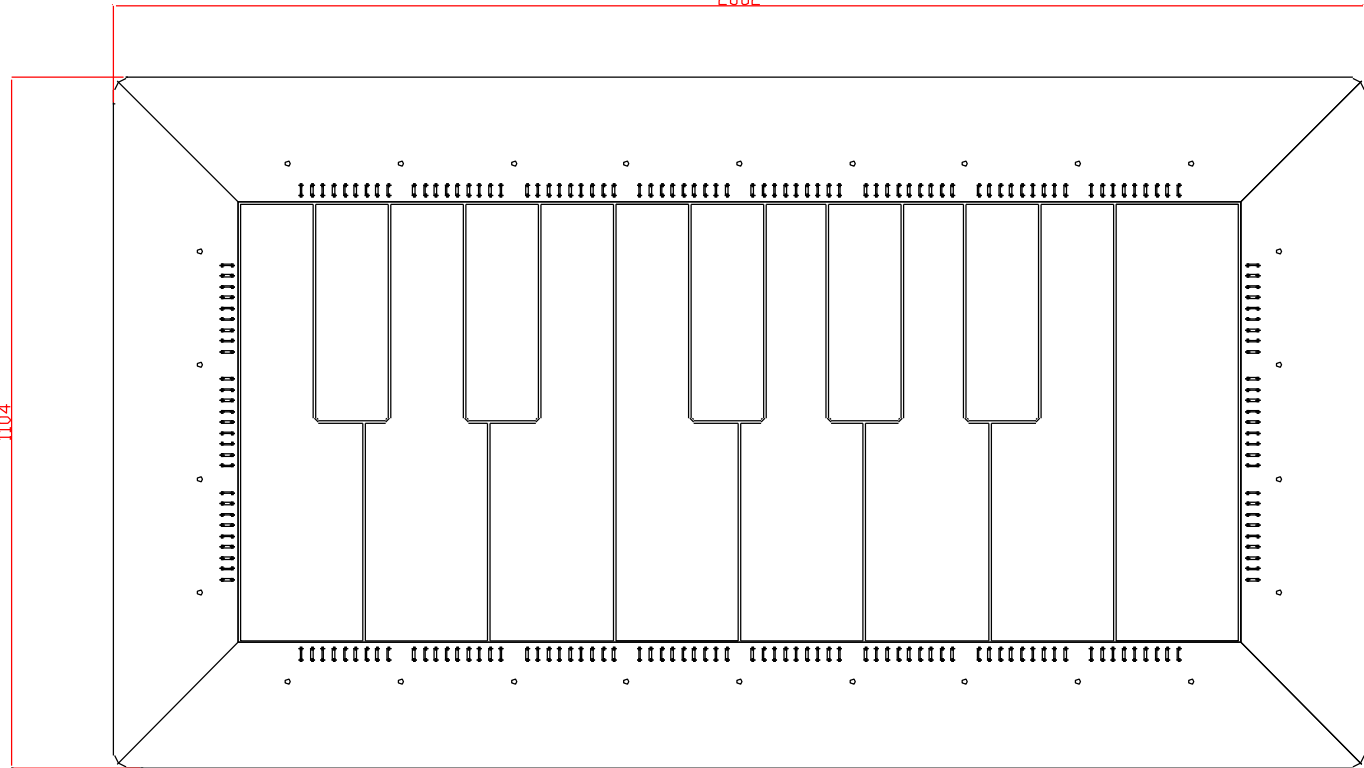


43 15/32"

1104

78 13/16"

2002



13 Note Piano Plan Elevation

Metric Conversion:
 1104mm/ 43 15/32"
 2002mm/ 78 13/16"

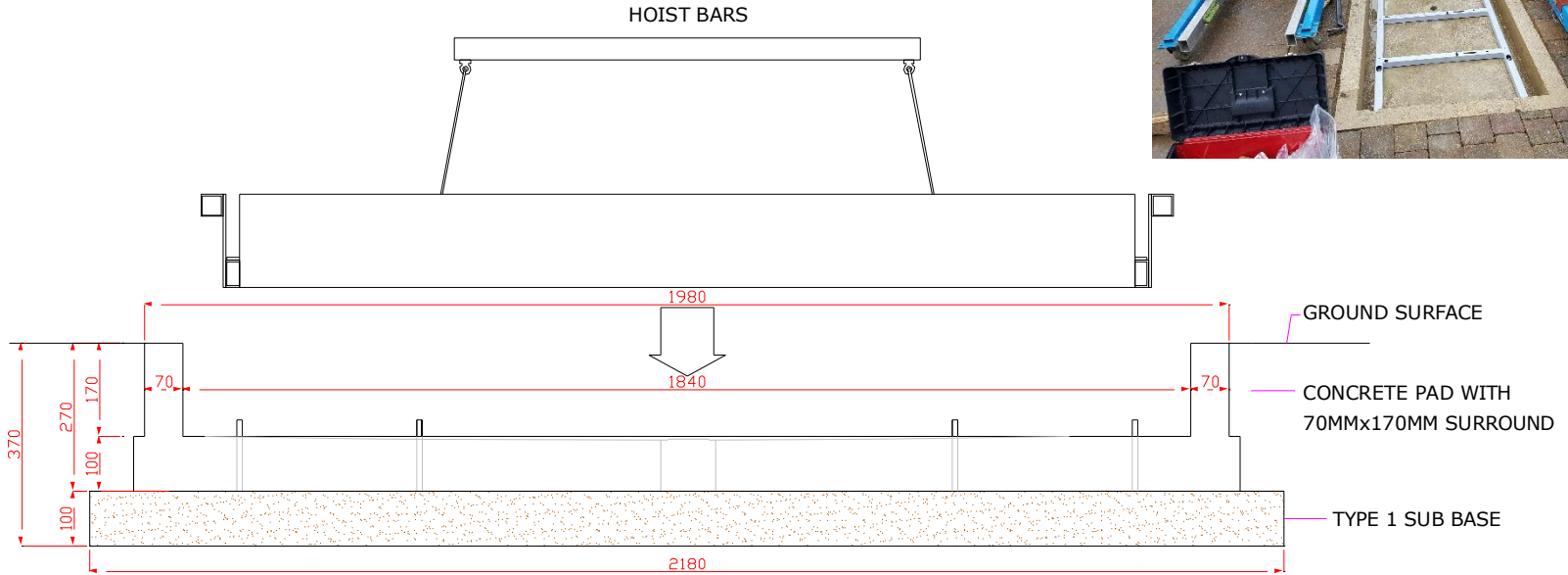


MADE IN
BRITAIN

BSEN 1176

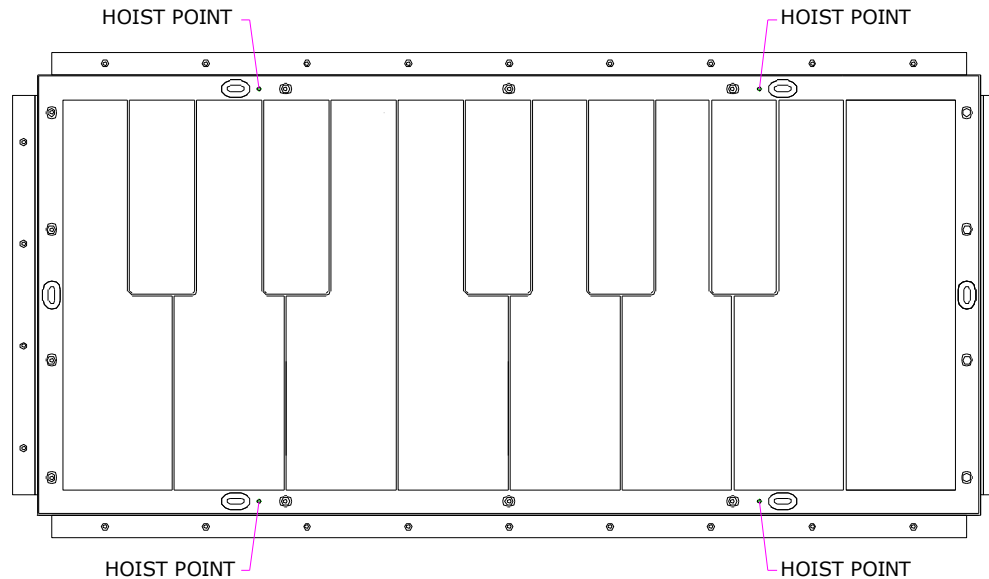
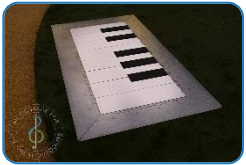
Install Piano 13 Notes

Using hoist bars lift piano with suitable lifting equipment into the pre fabricated concrete tub.



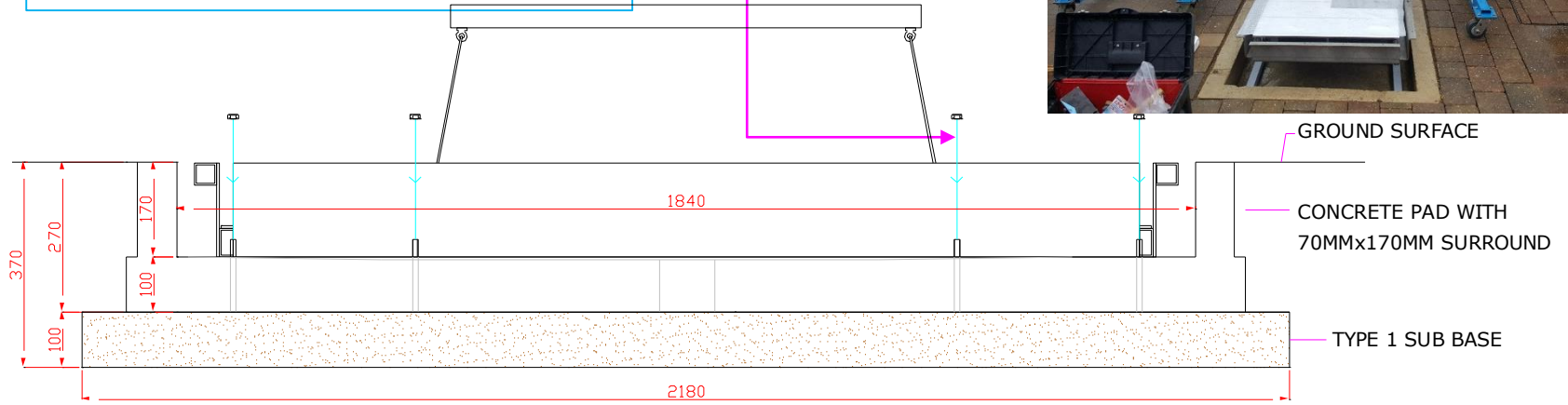
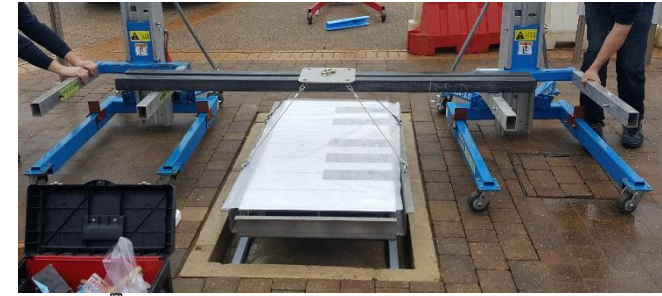
Ground Fixed

Piano Chimes
13 Notes 5 of 7

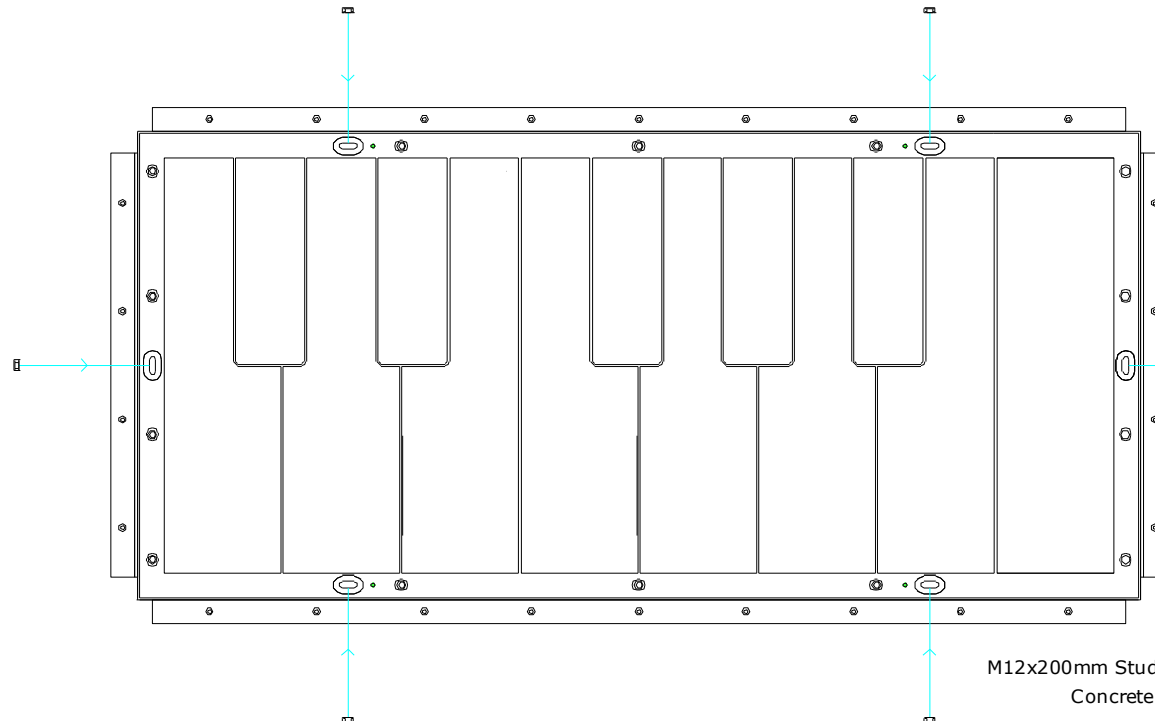


Install Piano 13 Notes

Lower piano into the concrete tub, locate frame over protruding studding. Once located and level fix into place with M10 Nyloc Nuts and washers, through the holes in frame and base plate.

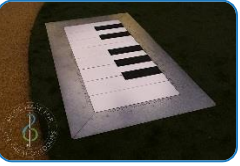


GROUND SURFACE
CONCRETE PAD WITH 70MMx170MM SURROUND
TYPE 1 SUB BASE

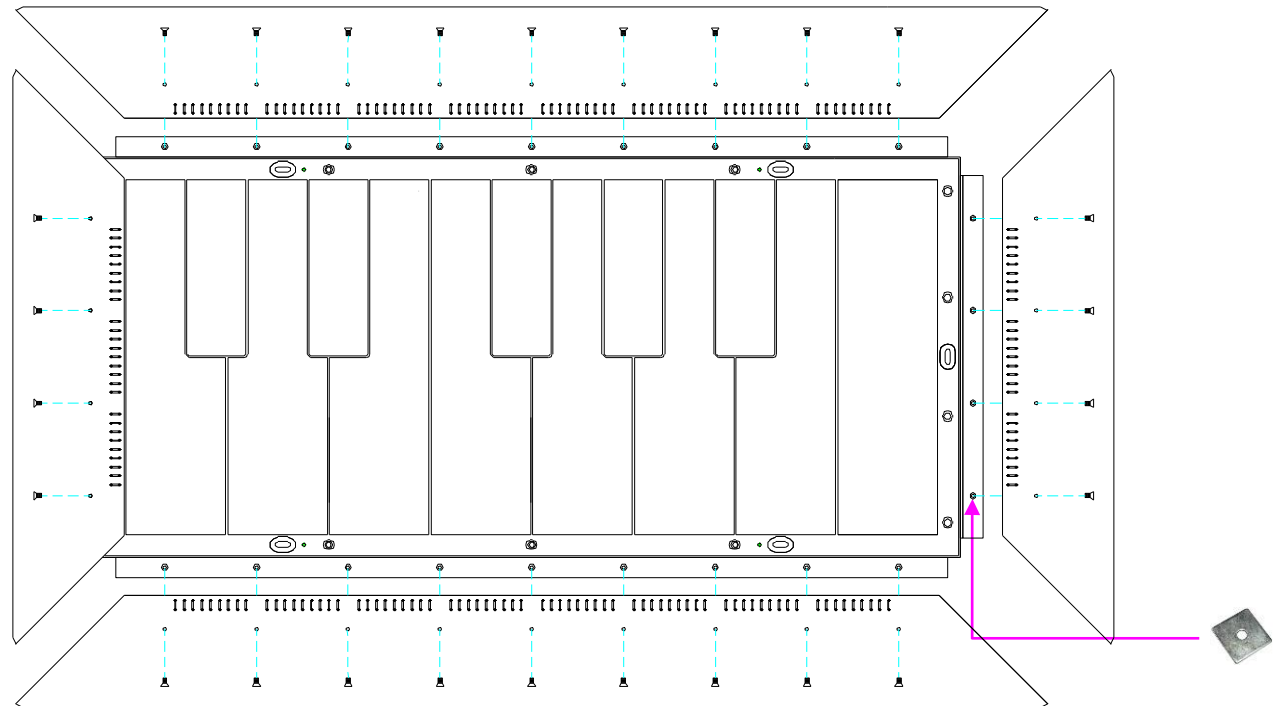
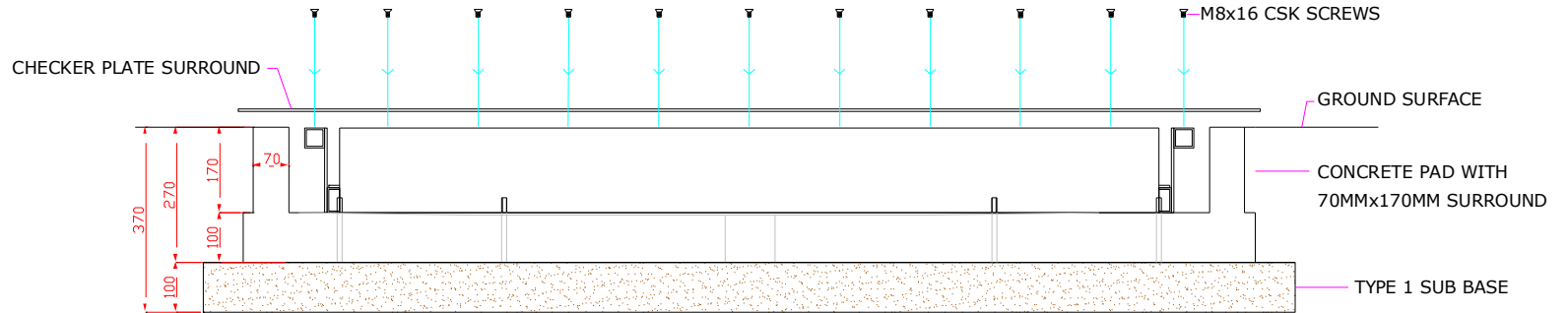


M10 Nuts to attach Piano Studs inserted into concrete base
30mm of Stud Protruding from concrete slab
M12x200mm Studs
Concrete

Ground Fixed
Piano Chimes
13 Notes 6 of 7



Install Piano 13 Notes



Once happy with piano installed, finally attach the checker plate surrounds with screws provided making sure clearance gaps are even all around the notes. Use Square washers to adjust height of tread plate according to surface levels.

Ground Fixed

Piano Chimes
13 Notes 7 of 7

