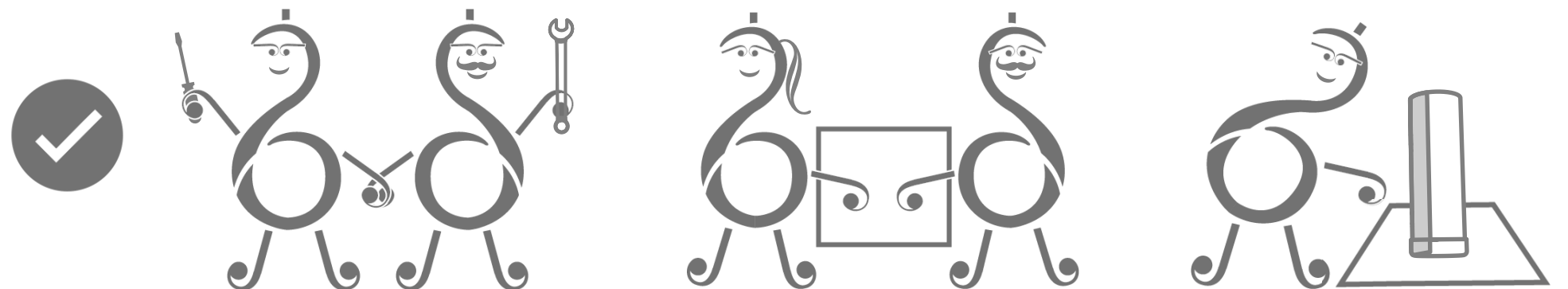
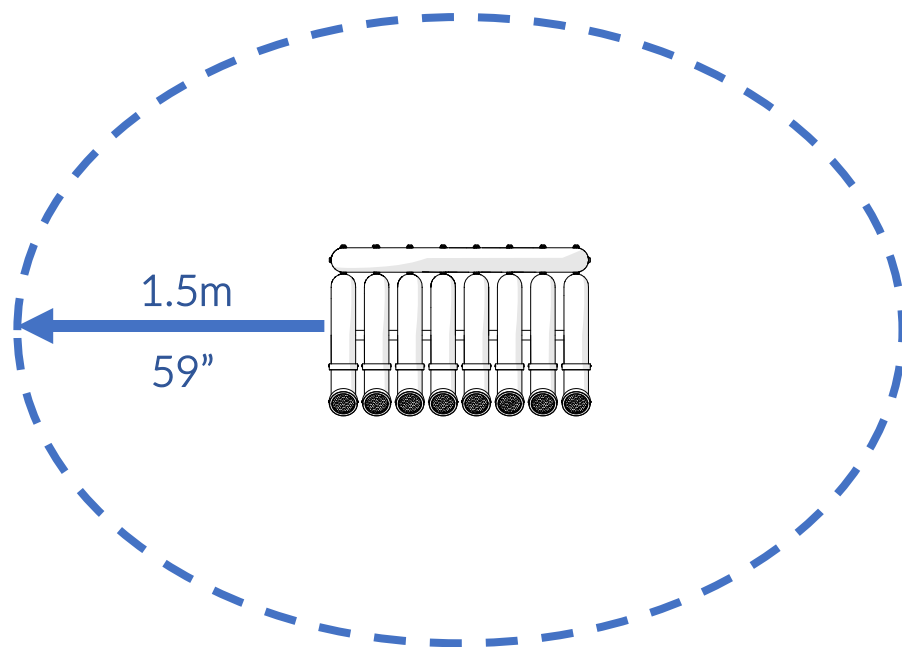


Part Reference	Description
PP-TEMB-DI-GR	Diatonic Tembos - with closed cell foam paddles (Ground Fix)



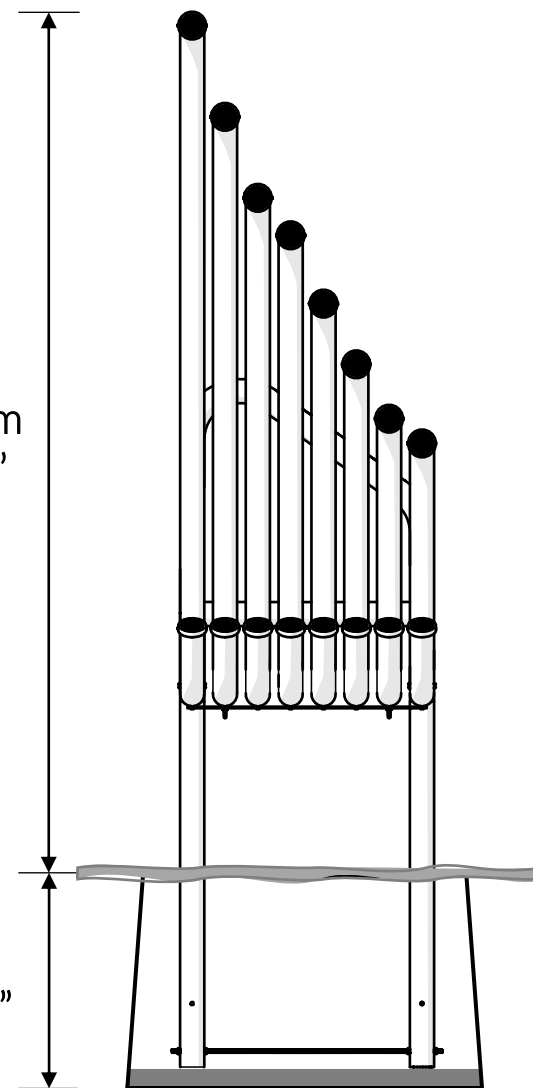




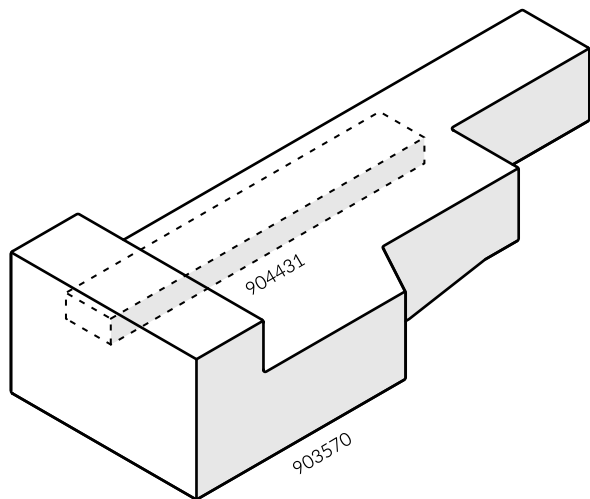
Check Risk Assessment

272 - 252cm  
107.5 - 99"

60 - 80cm  
23.5 - 31.5"



### Packages

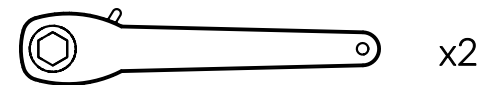


x1

		L	W	H	Weight	Net
x1	903570	225cm / 88.5"	80cm / 31.5"	50cm / 20"	85kg / 187lbs	
	904431	140cm / 55"	20cm / 8"	10cm / 4"	10kg / 22lbs	

### Tools required (not supplied)

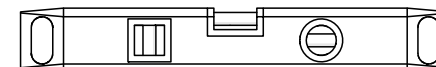
¼" Bit Driver Ratchet



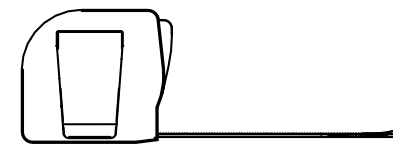
11/16" / 17mm Spanner



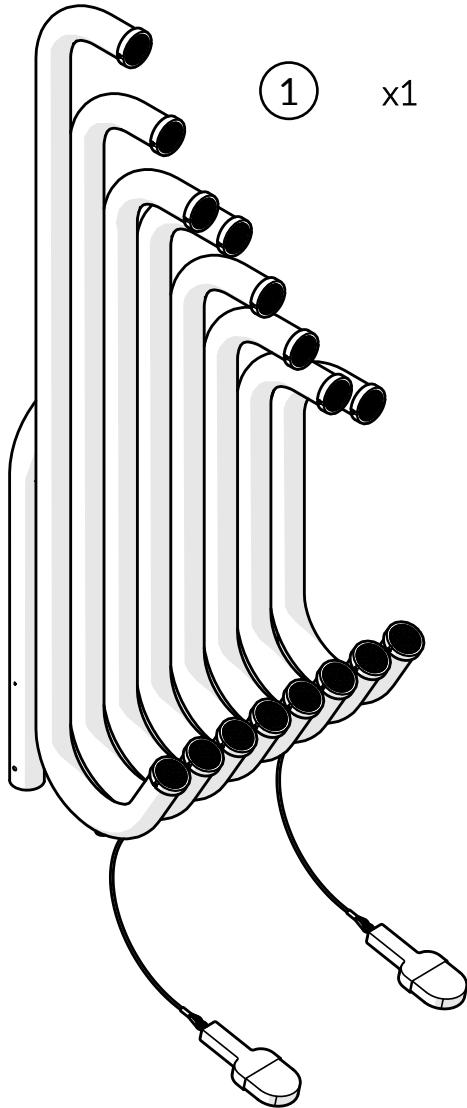
Spirit level



Tape Measure



903570



① x1

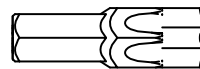
Ⓐ x2  
500667



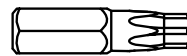
Ⓑ x2  
500613



TX45 x2  
500720



TX30 x1  
500473

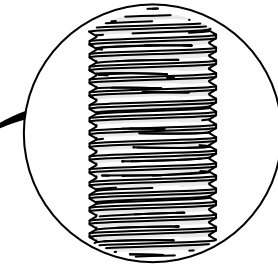


904431

② x2  
802513



Ⓓ x1  
700815  
850mm

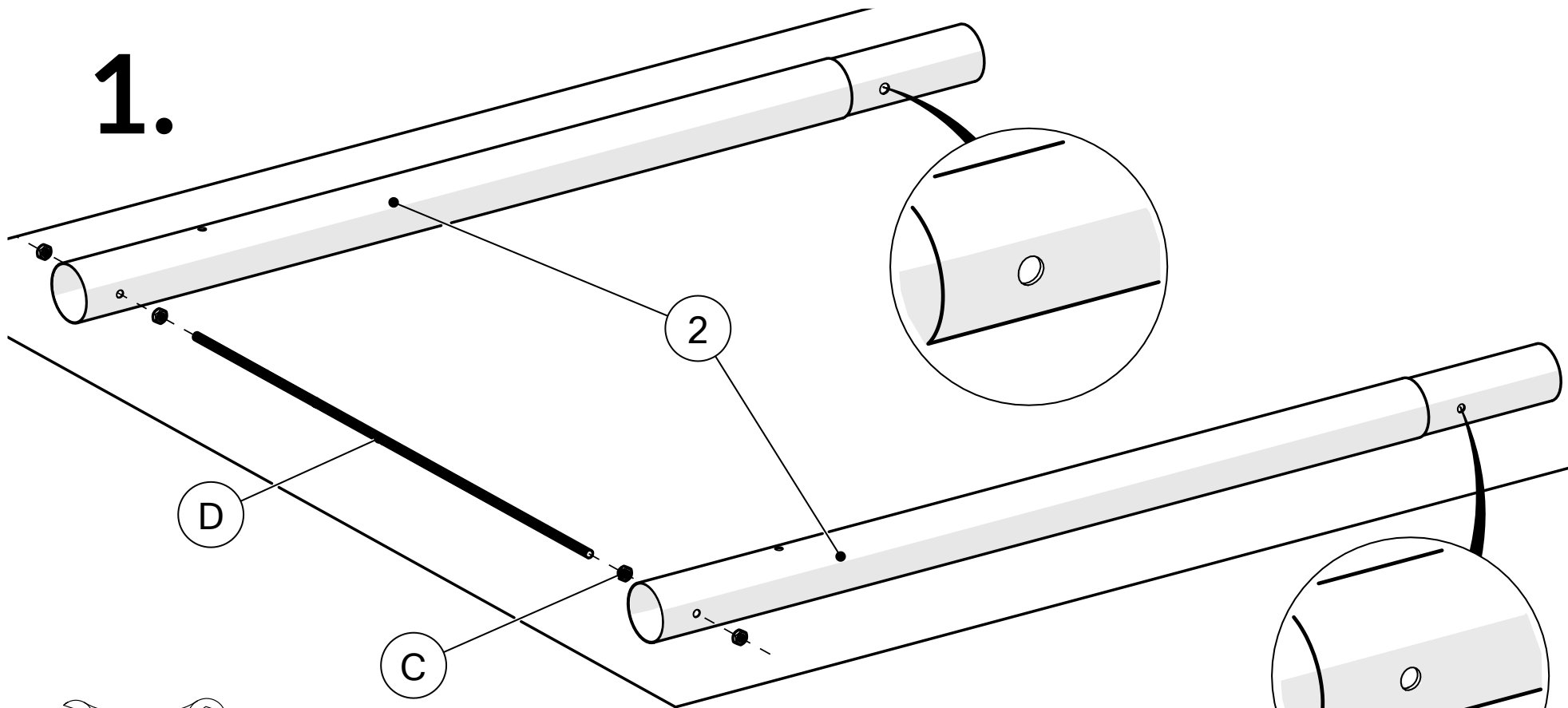




Ⓒ x4  
500457



Not to scale

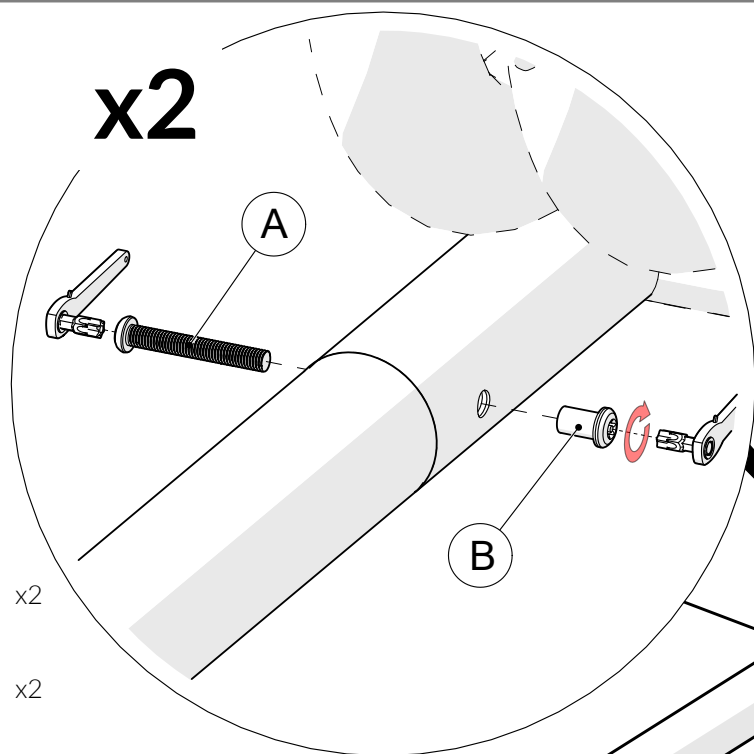
1.



C		x4
D		x1

2.

x2

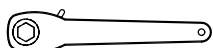


1

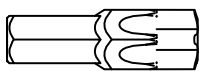
2




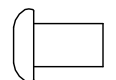
x2

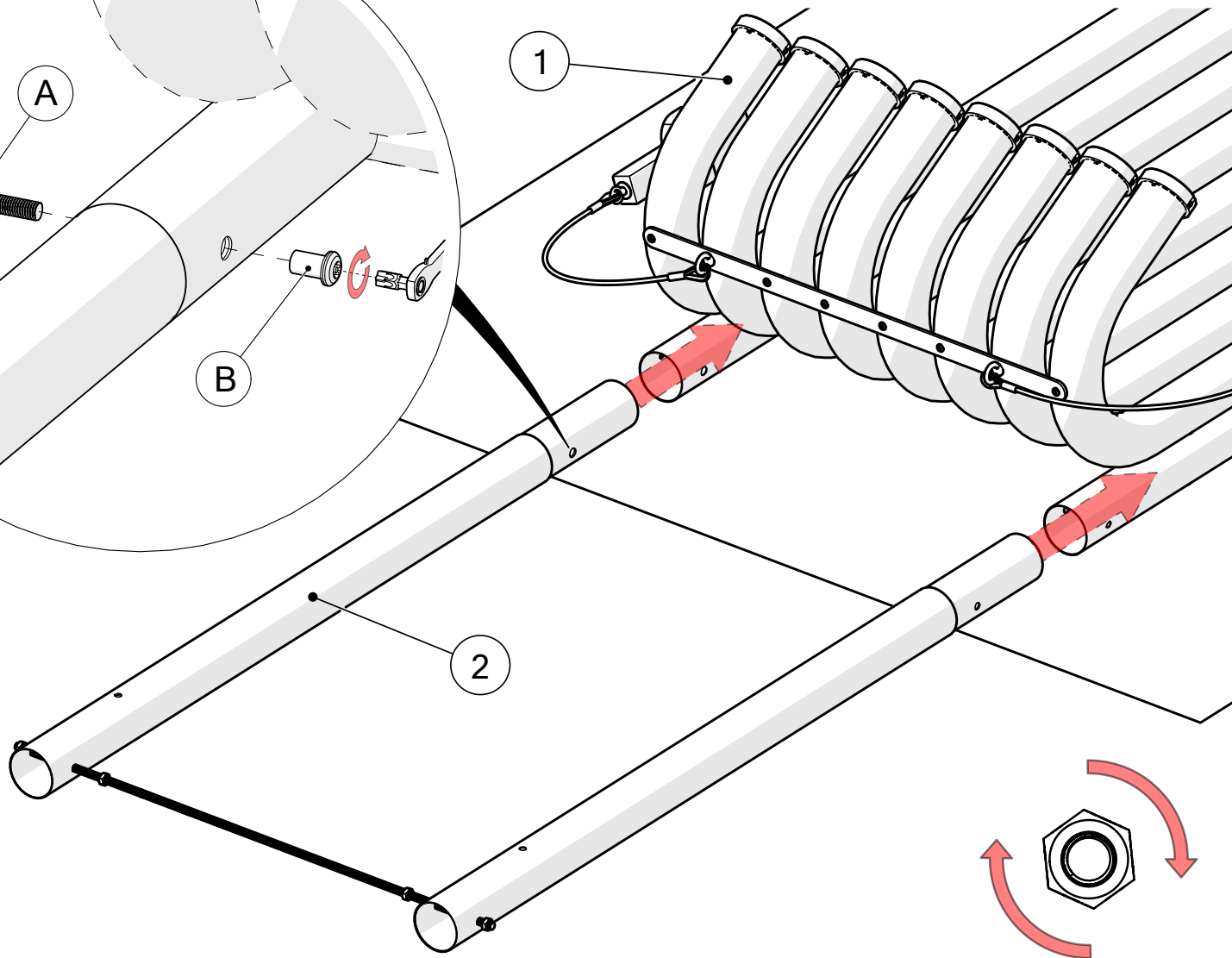


x2



x2 TX45

A		x2
B		x2

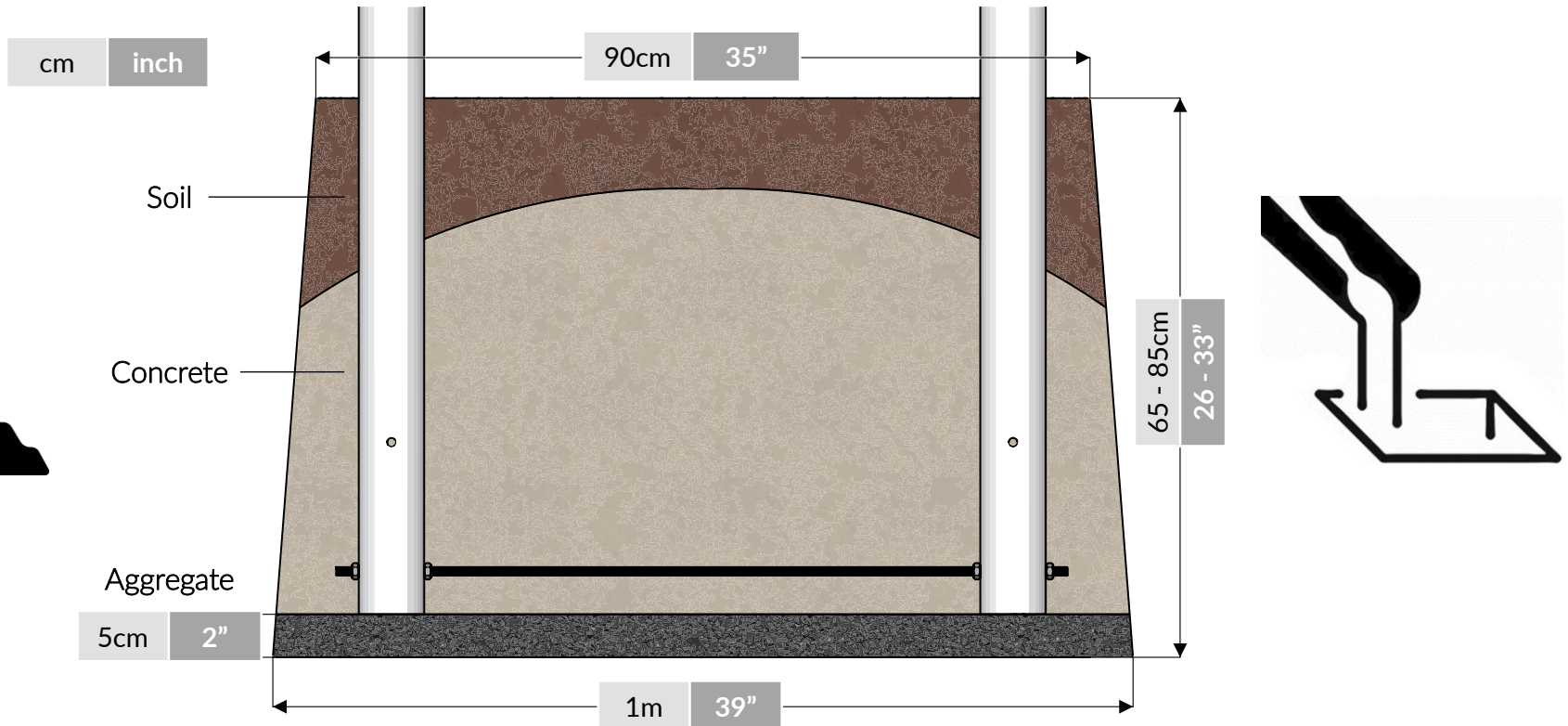
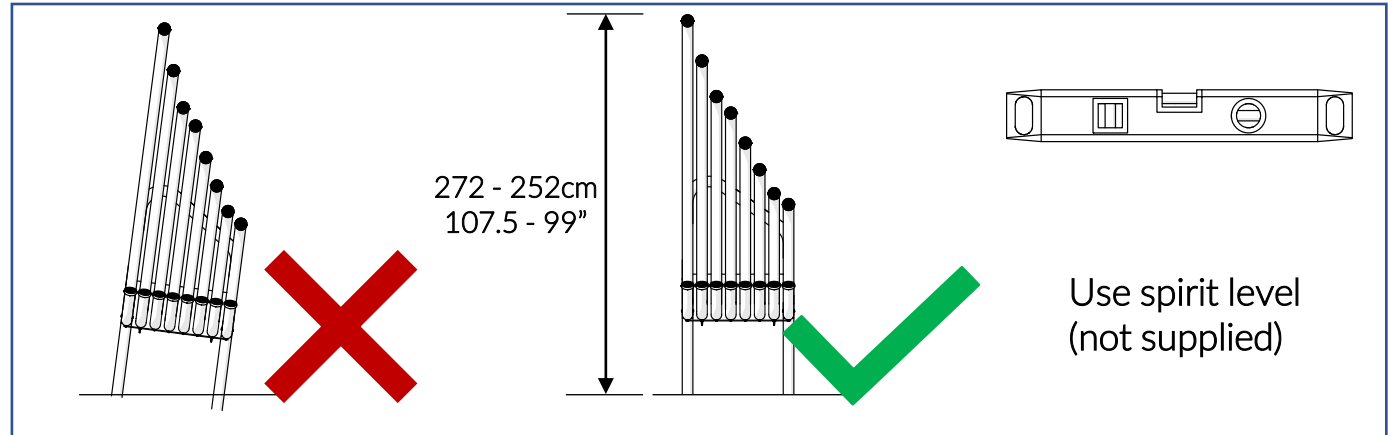


# 3.

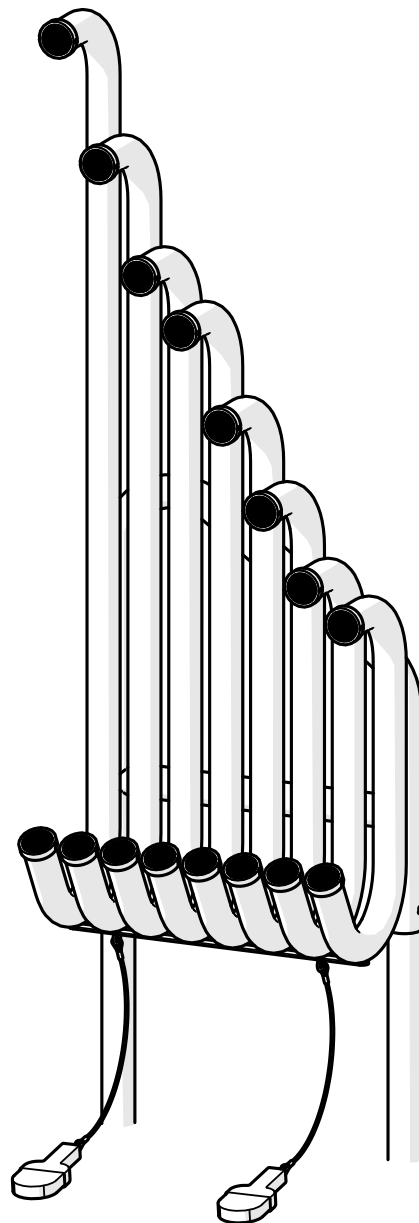


Foundations should not present a hazard

Refer to your local Health & Safety standards







[percussionplay.com](http://percussionplay.com)



[info@percussionplay.com](mailto:info@percussionplay.com)



UK  
[01730 235 180](tel:+441730235180)

USA & CAN  
[+1 \(866\) 882 9170](tel:+18668829170)

EUR & ROW  
[+44 1730 235 180](tel:+441730235180)