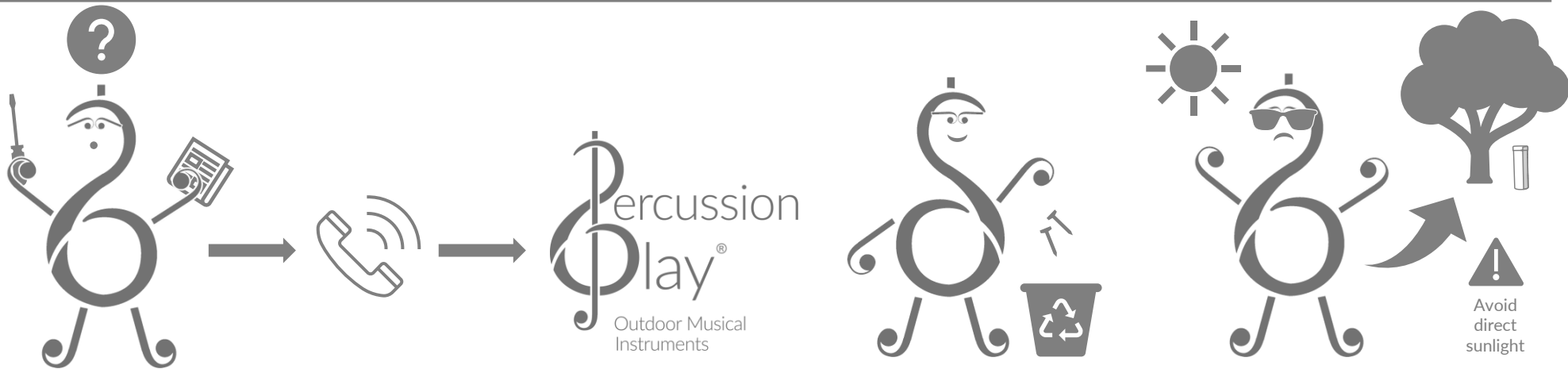
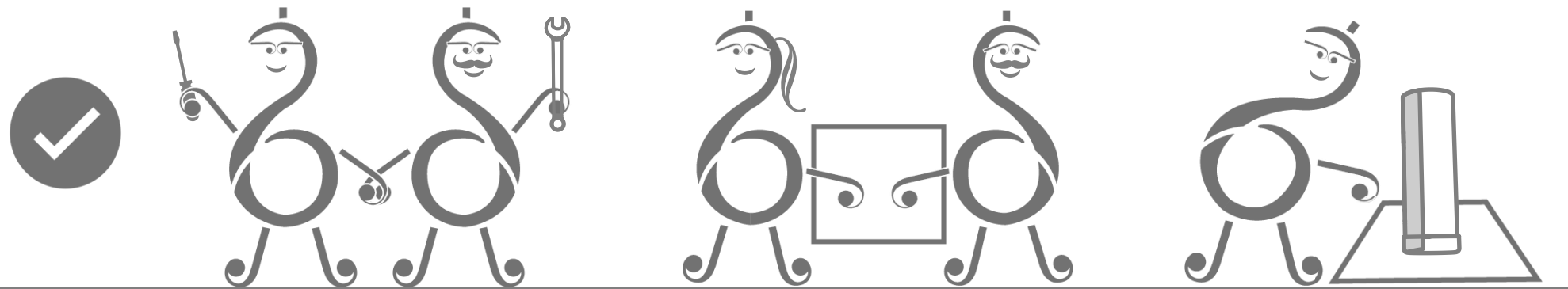
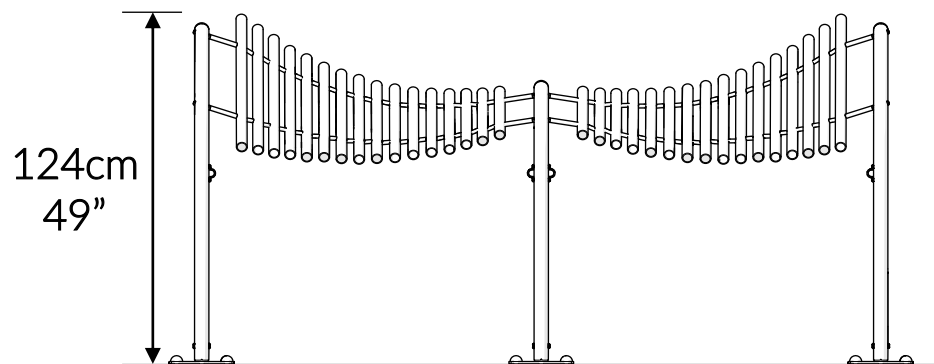
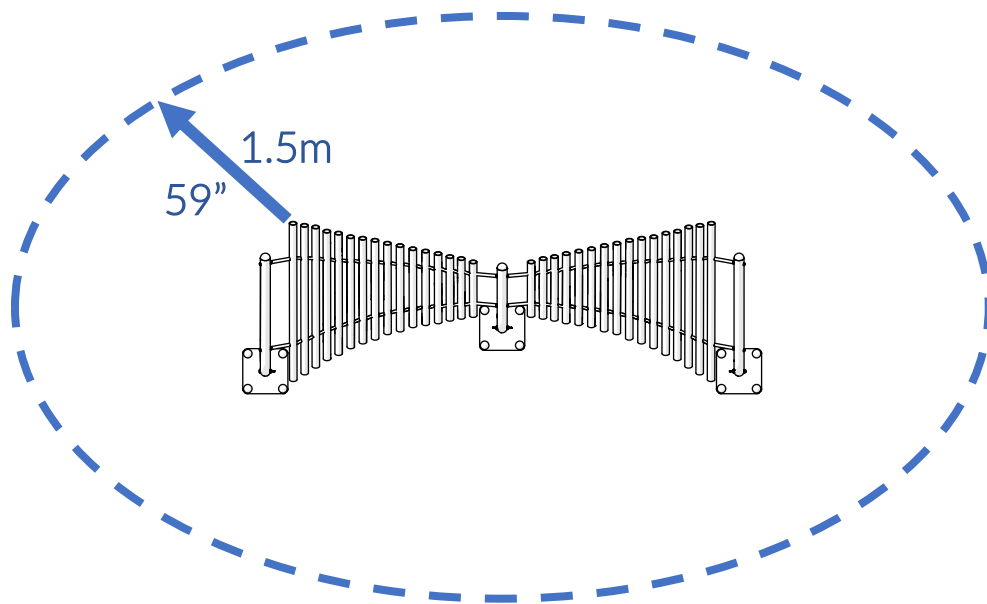


| Part Reference | Description |
|----------------|-----------------------|
| PP-PAPI-SU | Papilio (Surface Fix) |

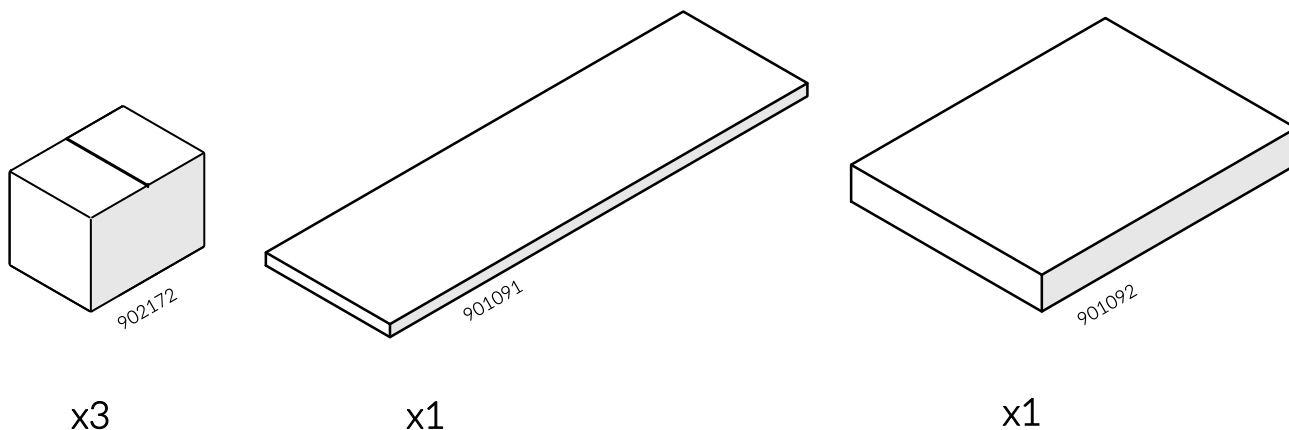






Check Risk Assessment

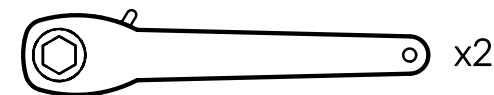
Packages



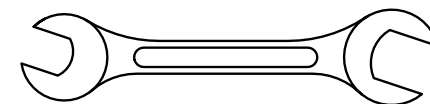
| | | L | W | H | Weight | Net |
|----|--------|--------------|--------------|-----------|--------------|-----|
| x3 | 902172 | 32cm / 12.5" | 23cm / 9" | 23cm / 9" | 6kg / 13lbs | |
| x1 | 901091 | 185cm / 73" | 55cm / 21.5" | 5cm / 2" | 15kg / 33lbs | |
| x1 | 901092 | 120cm / 47" | 90cm / 35.5" | 15cm / 6" | 30kg / 66lbs | |

Tools required (not supplied)

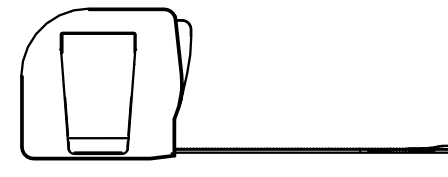
¼" Bit Driver Ratchet

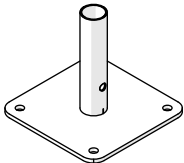

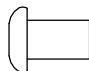





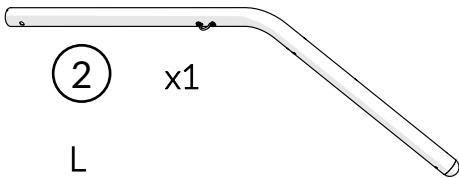
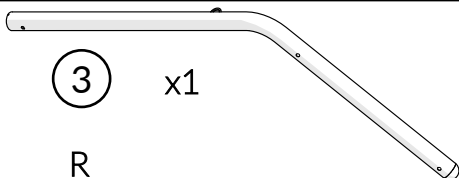
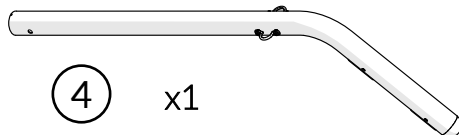
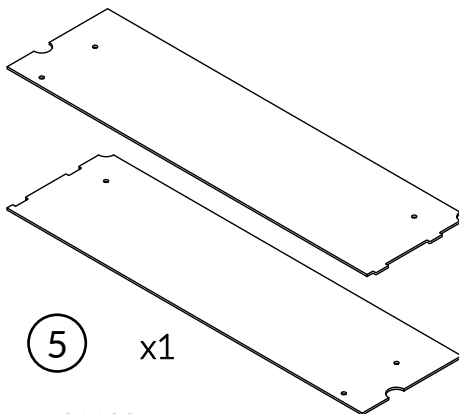
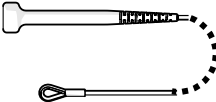

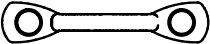

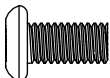

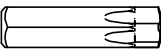
11/16" / 17mm Spanner

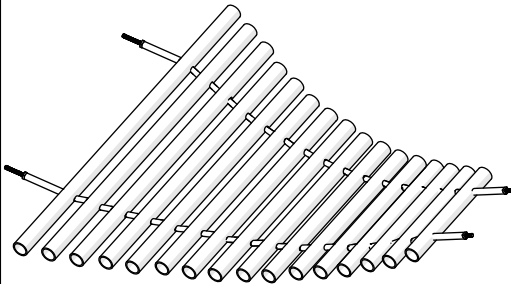
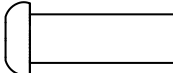


Tape Measure



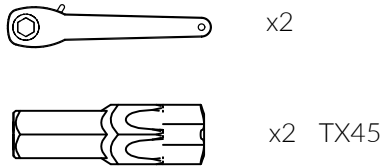
| | | |
|-------------------|---|----|
| 902172 | | x3 |
| ① x1 801914 |  | |
| Ⓐ x1 501196 |  | |
| Ⓑ x1 500613 |  | |
| Ⓒ x4 601543 |  | |
| Ⓓ x4 601542 |  | |
| TX45 x2 500720 |  | |

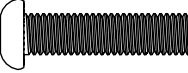
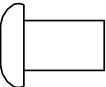
| | | |
|---------------------|---|--|
| 901091 | | |
| ② x1 L 801783 |  | |
| ③ x1 R 801784 |  | |
| ④ x1 801785 |  | |
| ⑤ x1 601133 |  | |
| ⑥ x4 900837 |  | |
| Ⓔ x8 500746 |  | |
| Ⓕ x4 603150 |  | |
| Ⓖ x4 500676 |  | |
| Ⓗ x4 500450 |  | |
| TX30 x1 500473 |  | |
| TX40 x1 500474 |  | |

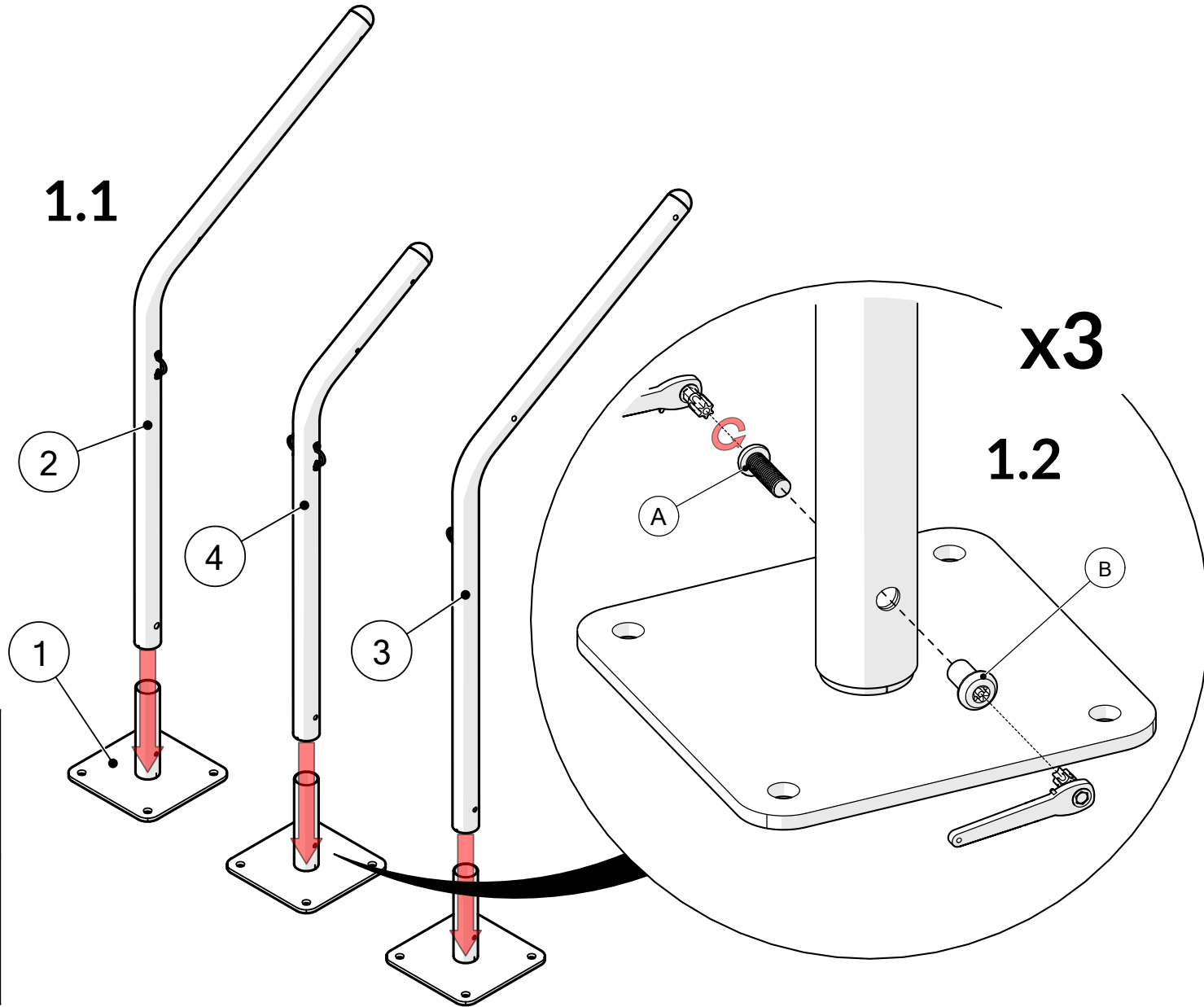
| | |
|---|---|
| 901092 | |
|  | |
| ⑦ x2 | |
| Ⓘ x4 501412 |  |

1.

1.1

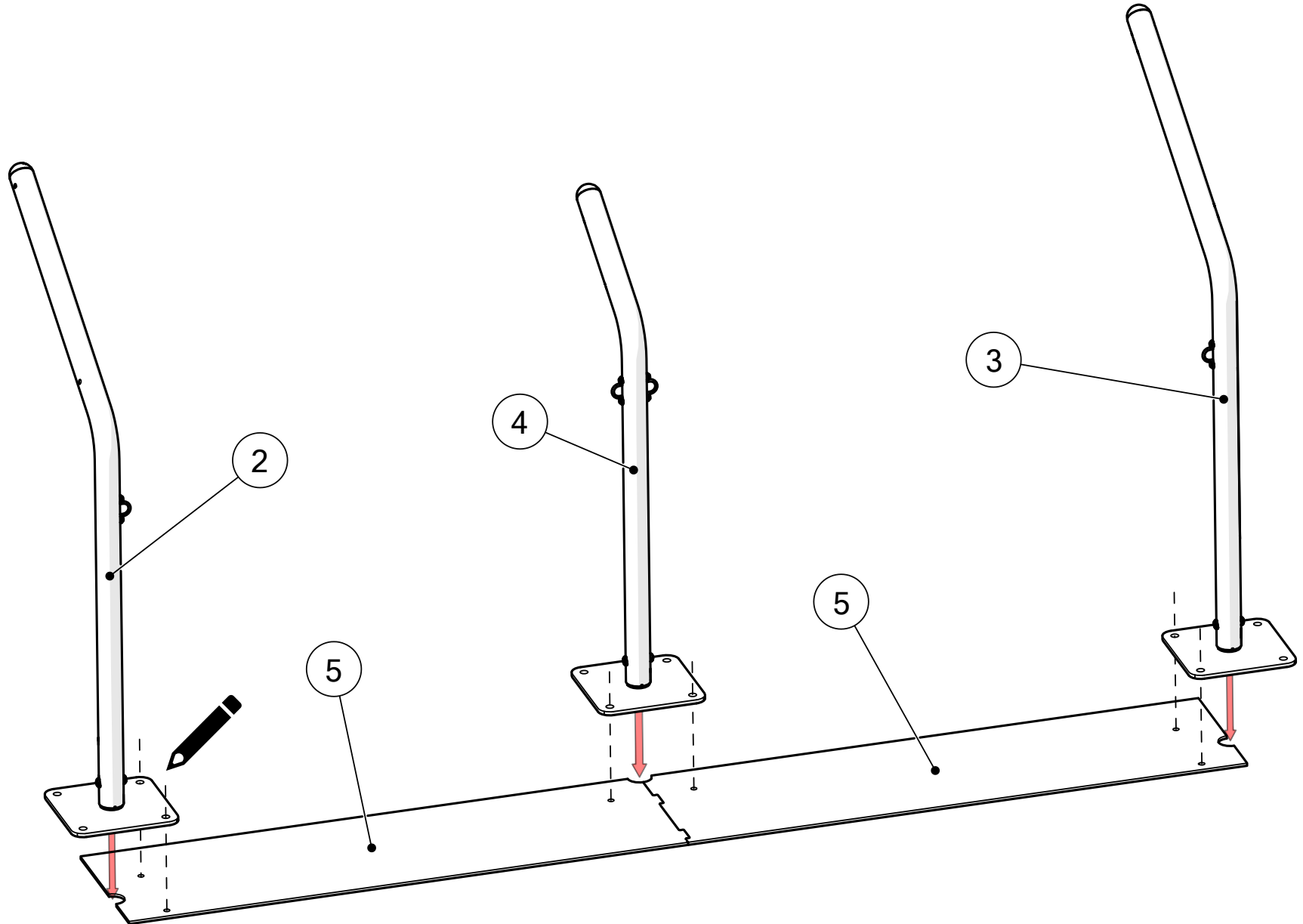


| | | |
|---|---|----|
| A |  | x3 |
| B |  | x3 |

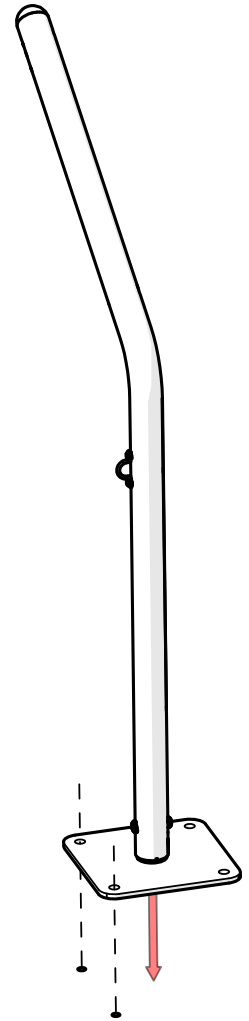
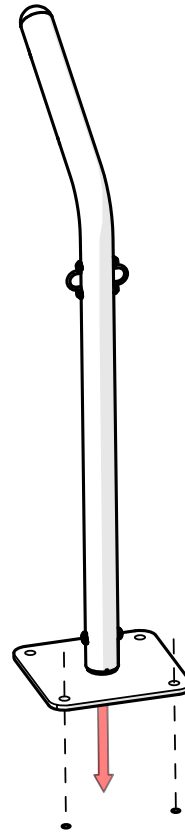
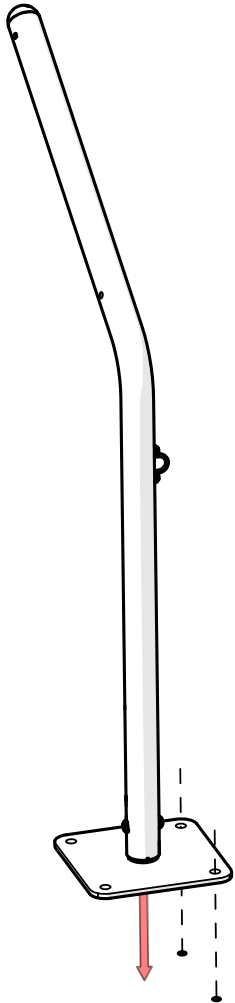


2.

2.1



2.2





3. x3

Surface fixing should not present a hazard




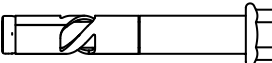

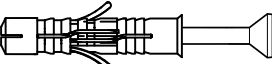


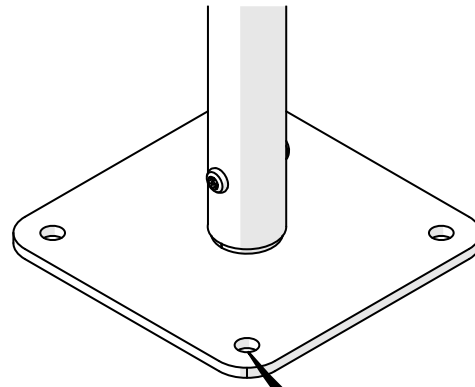
Refer to your local Health & Safety standards

| | | |
|---|---|-----|
| C |  | x12 |
| D |  | x12 |

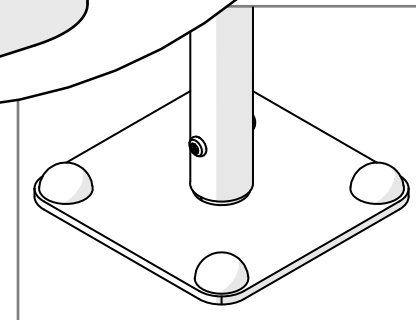
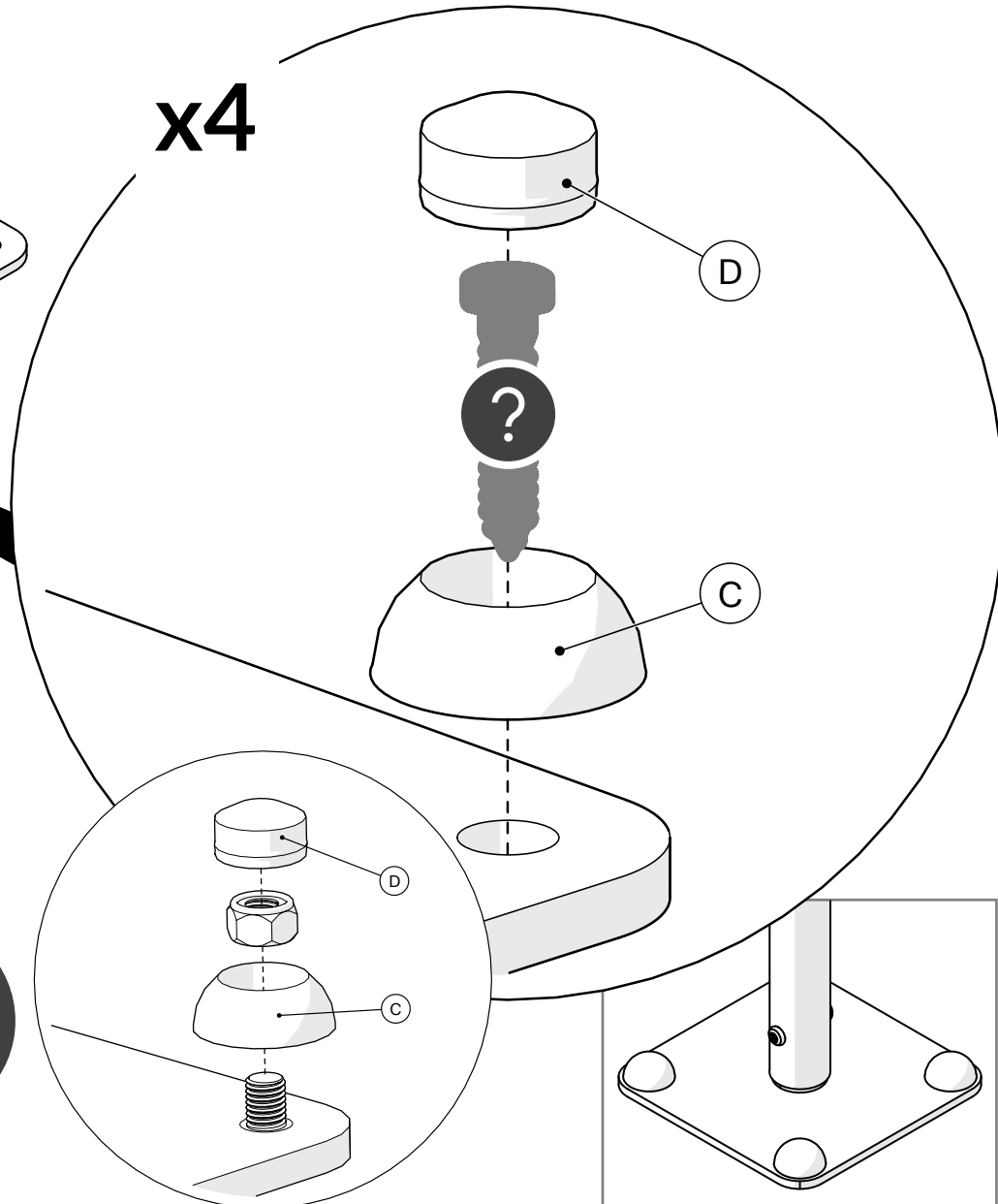
Surface

Example fixing

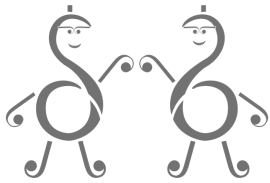
| | | | |
|---|----------|---|-----|
|  | Wood |  | x12 |
|  | Concrete |  | x12 |
|  | Brick |  | x12 |



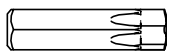
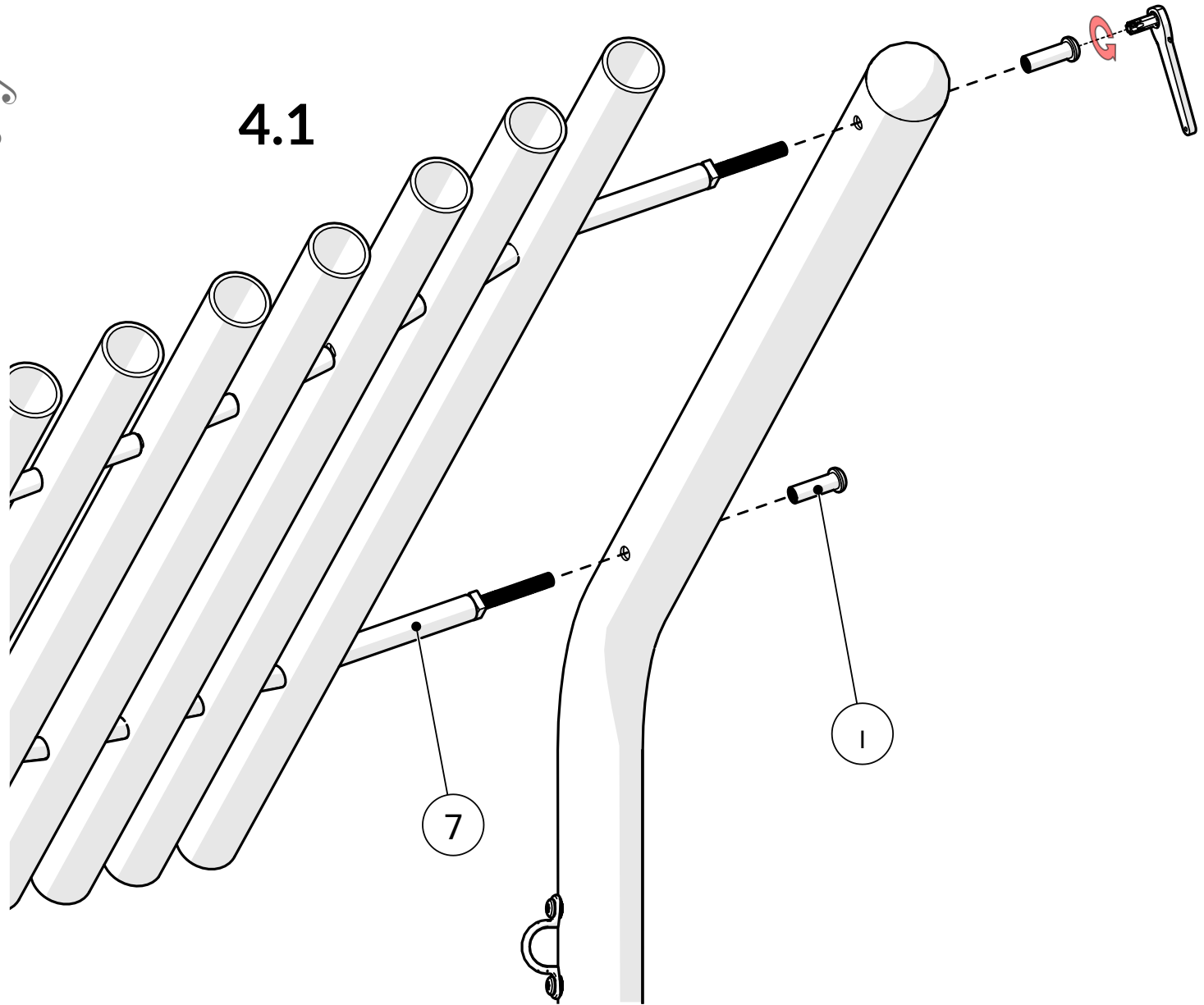
x4



4.

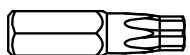
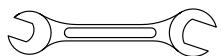
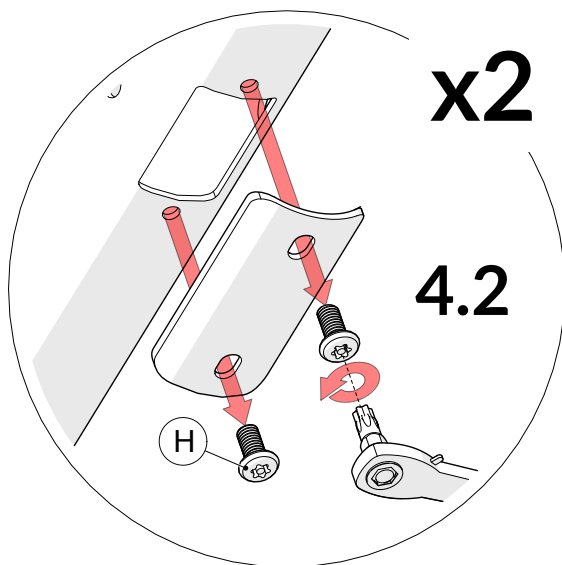


4.1

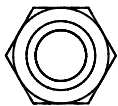
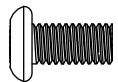


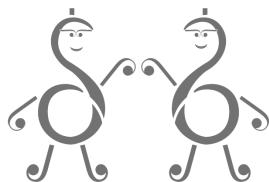
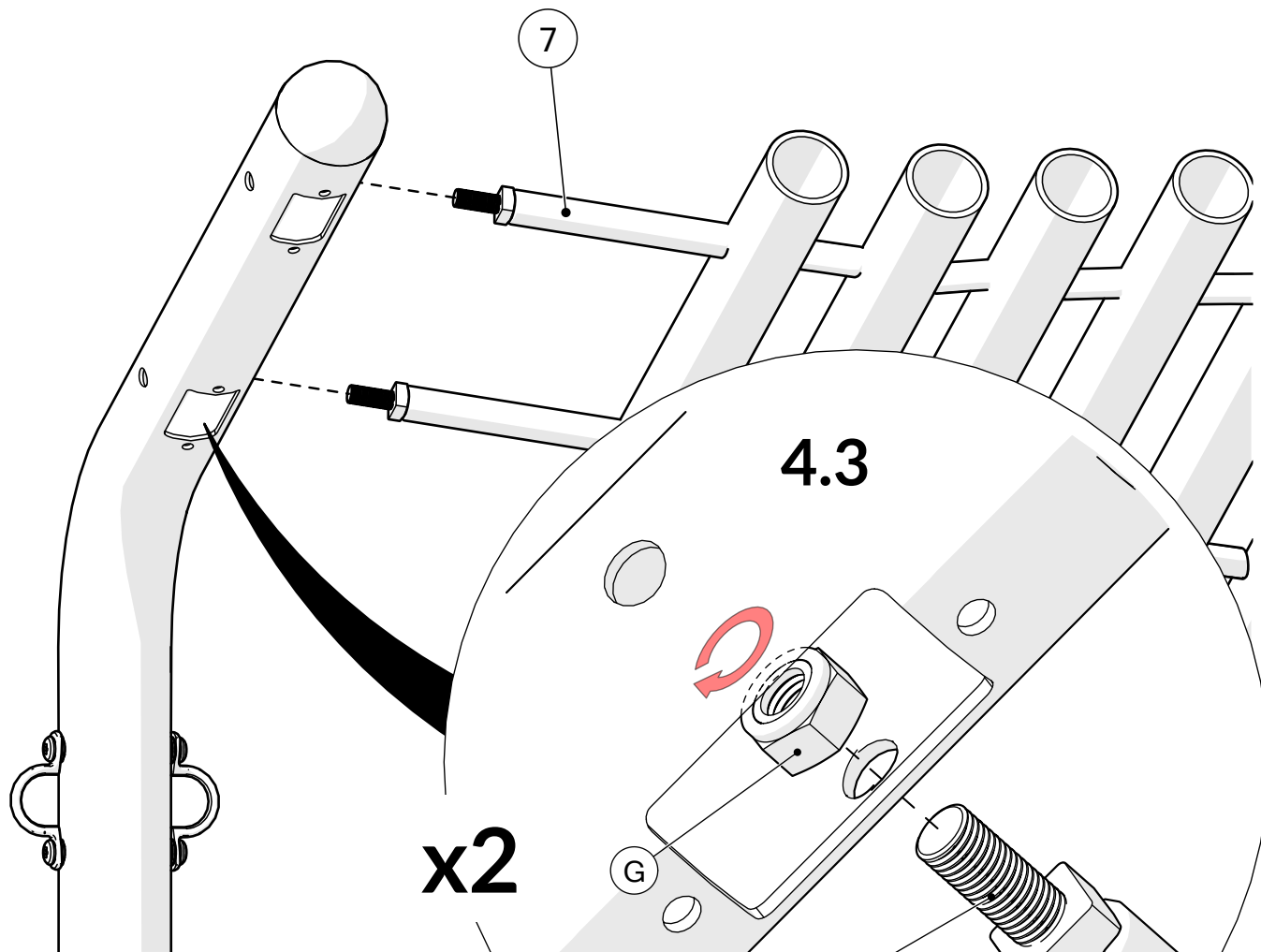
TX40

| | | |
|---|--|----|
| 1 | | x2 |
|---|--|----|

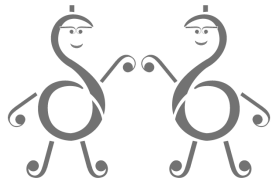


TX30

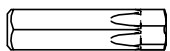
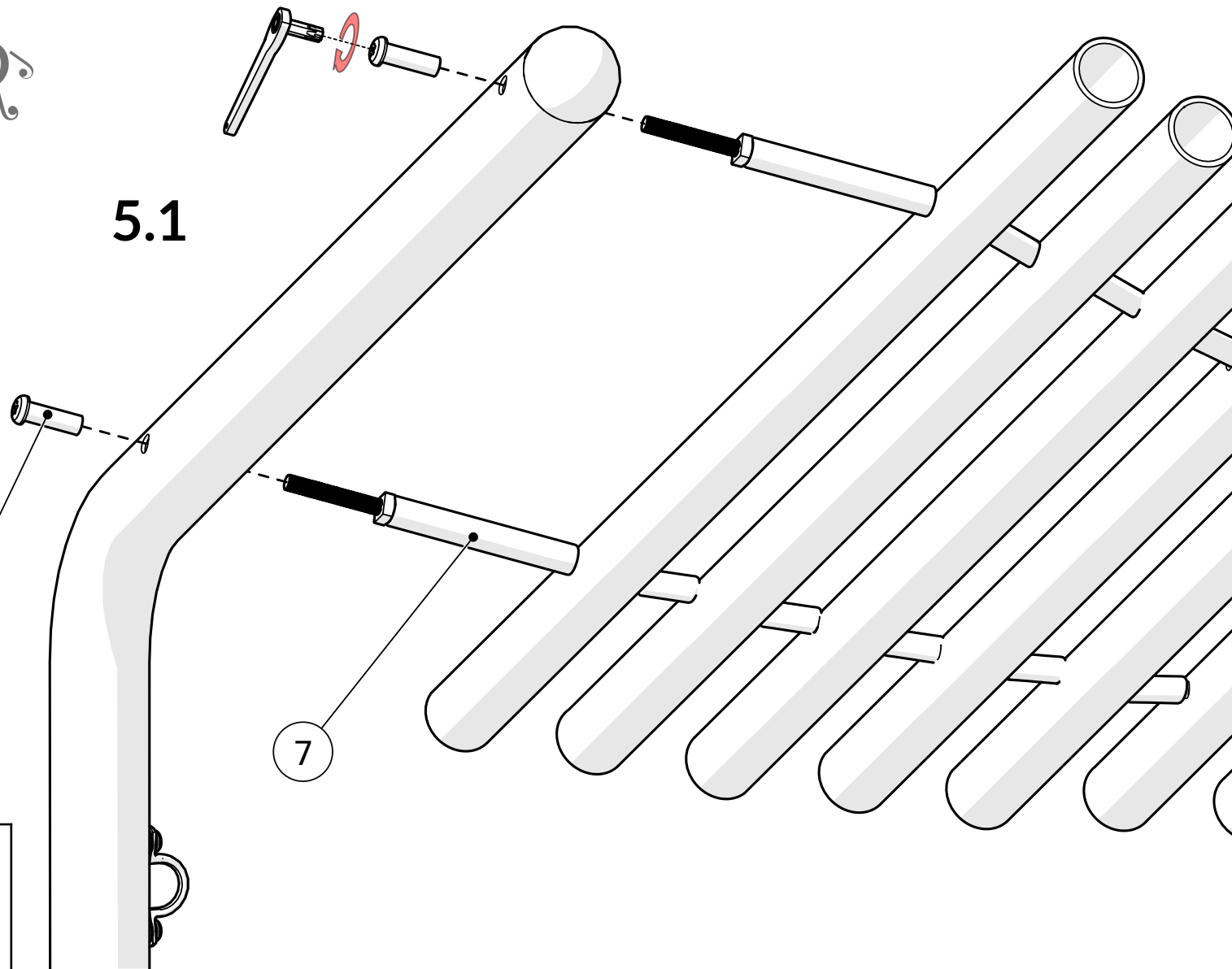
| | | |
|---|---|----|
| G |  | x2 |
| H |  | x4 |



5.

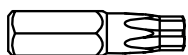
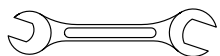
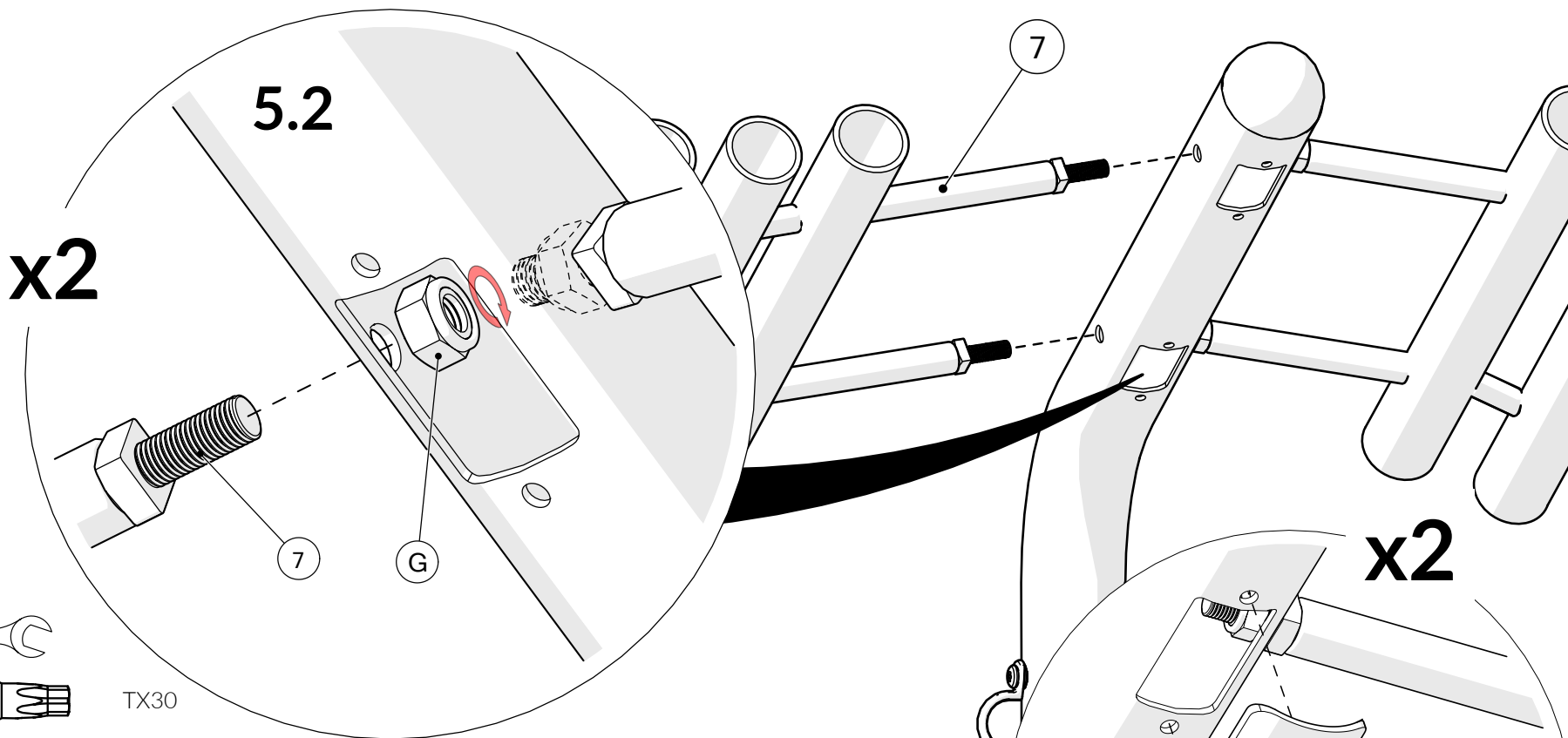


5.1

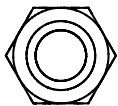
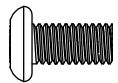


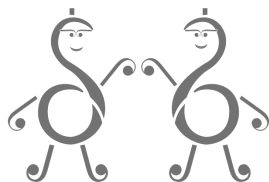
TX40

| | | |
|---|--|----|
| 1 | | x2 |
|---|--|----|

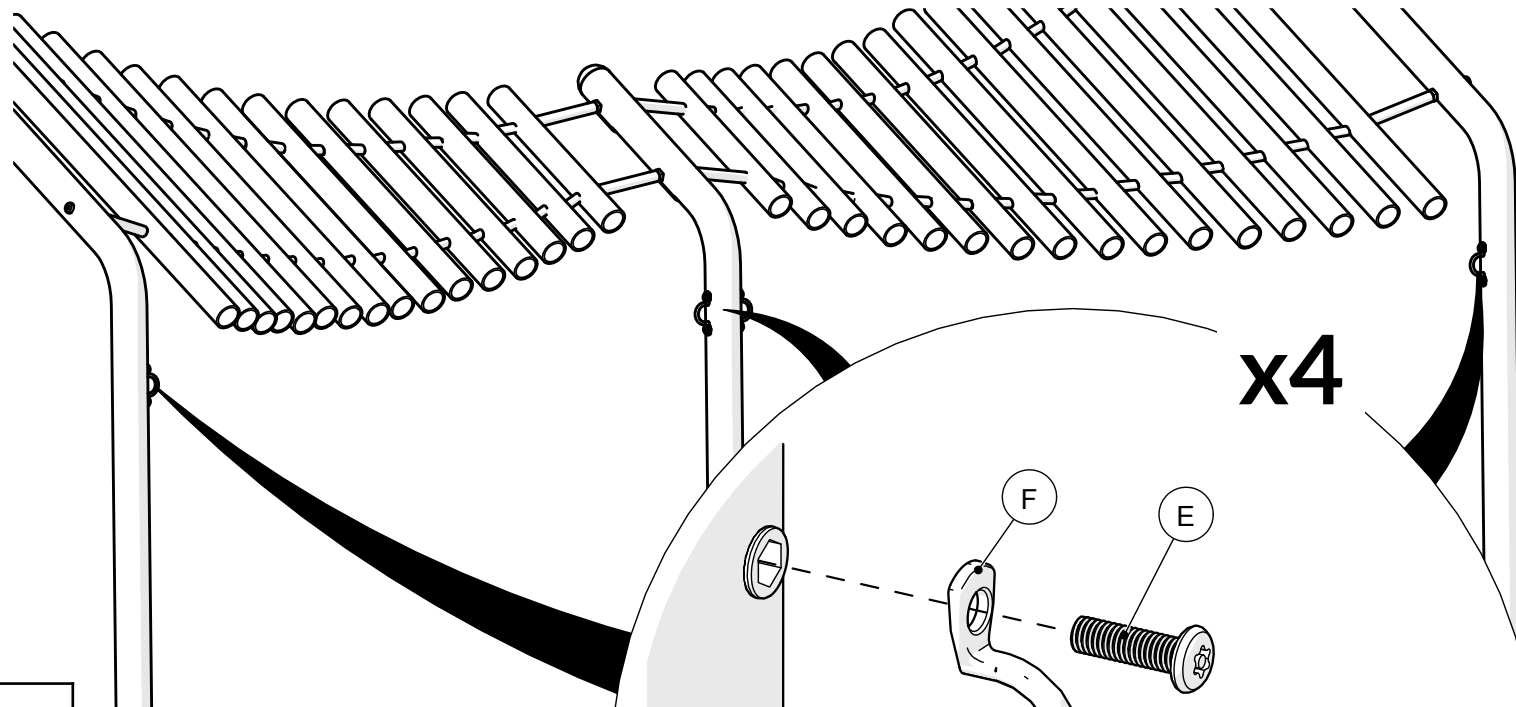


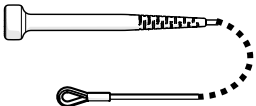
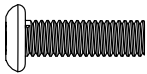
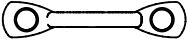
TX30

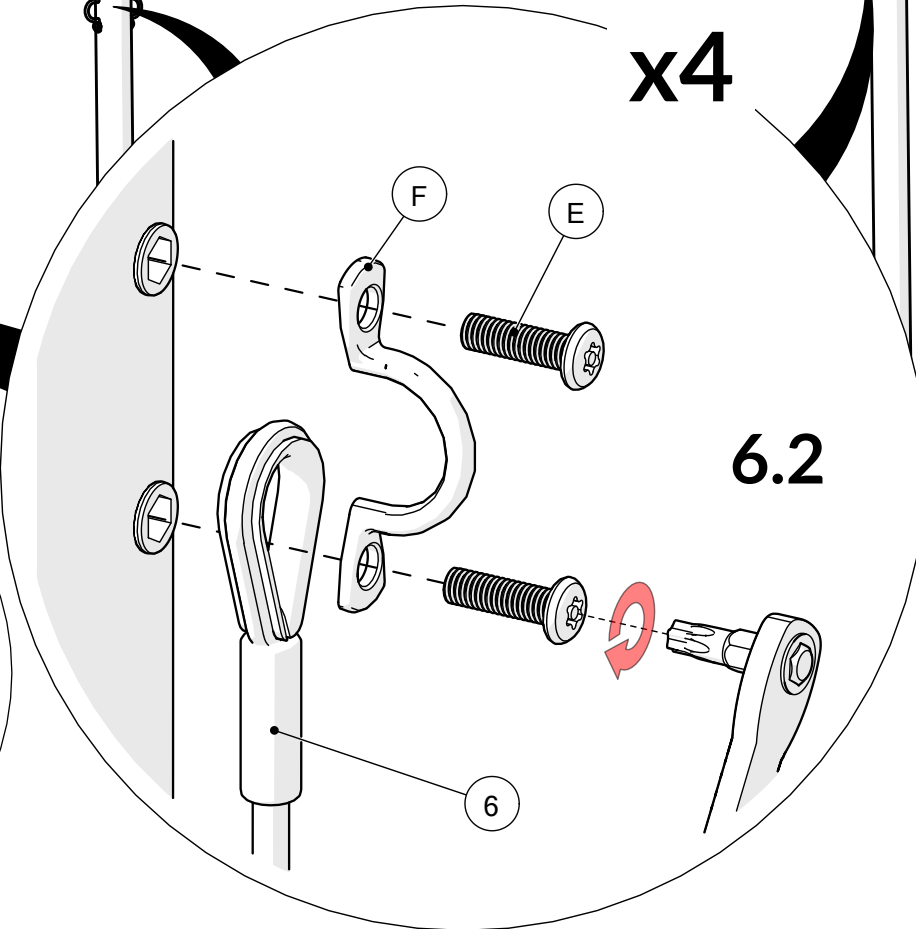
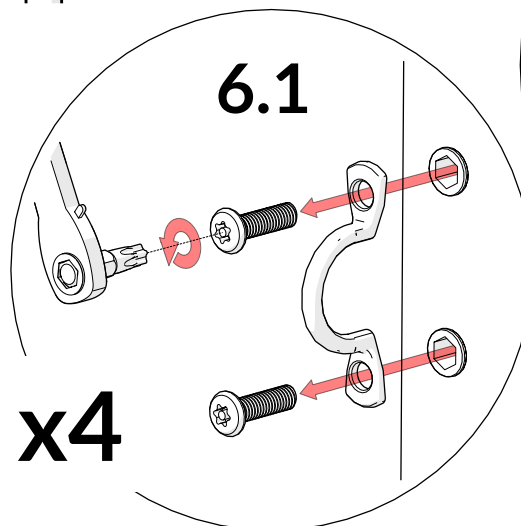
| | | |
|---|---|----|
| G |  | x2 |
| H |  | x4 |

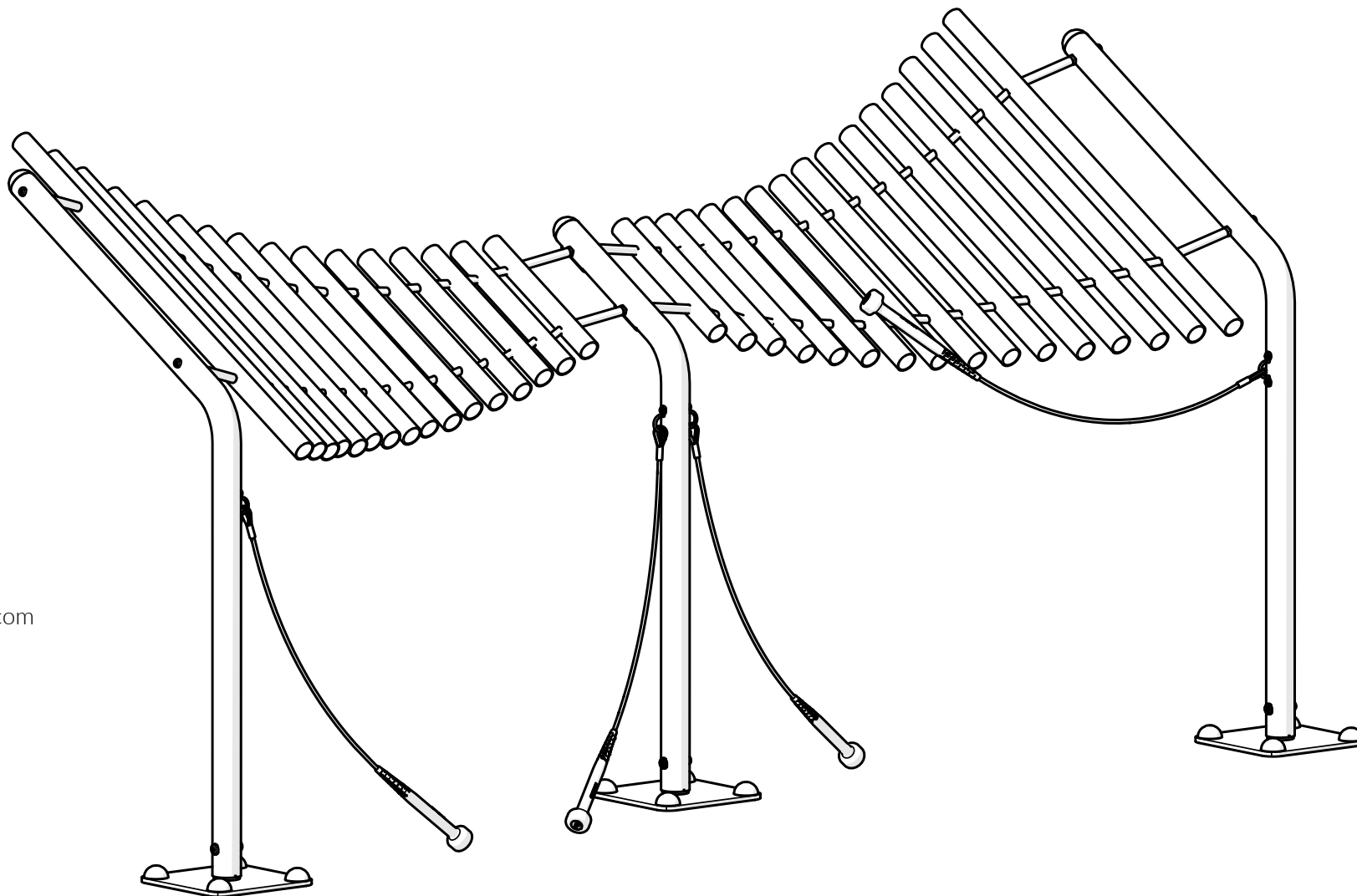


6.



| | | |
|---|---|----|
| 6 |  | x4 |
| E |  | x8 |
| F |  | x4 |





percussionplay.com



info@percussionplay.com



UK
[01730 235 180](tel:01730235180)

USA & CAN
[+1 \(866\) 882 9170](tel:+18668829170)

EUR & ROW
[+44 1730 235 180](tel:+441730235180)