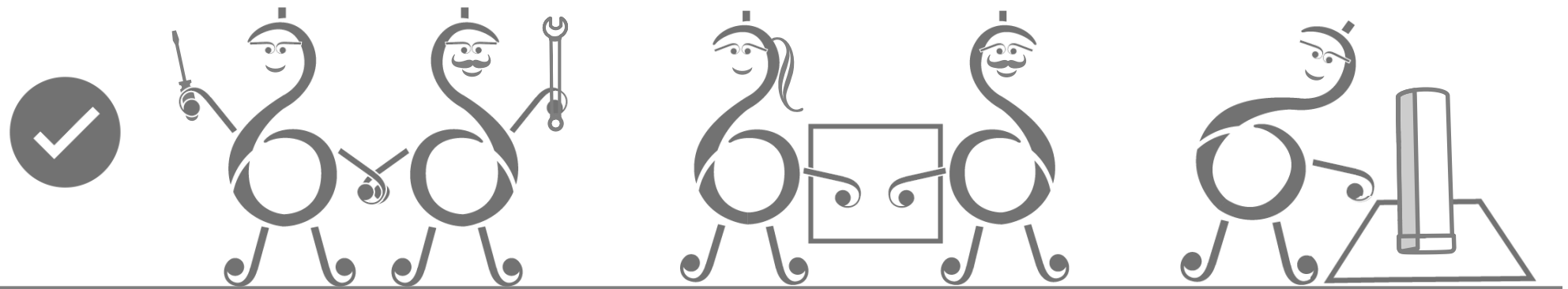
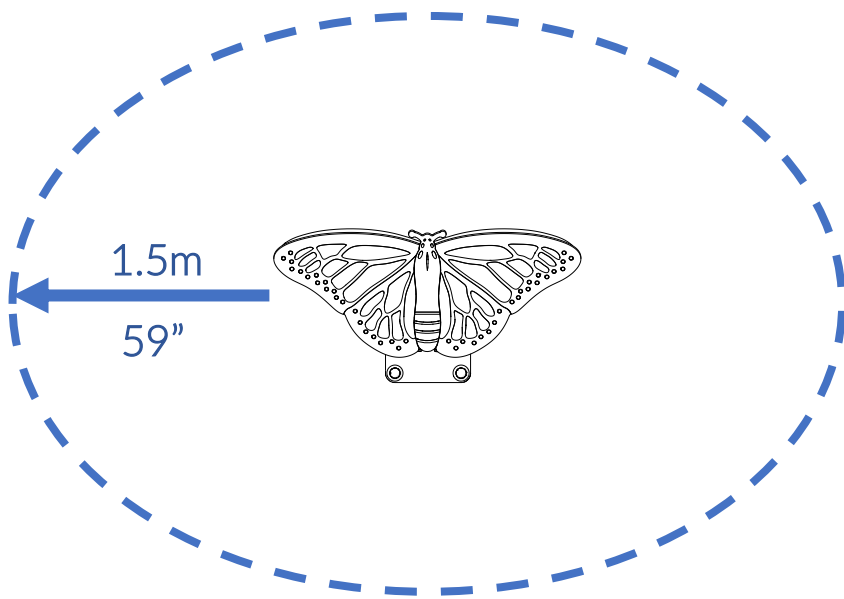


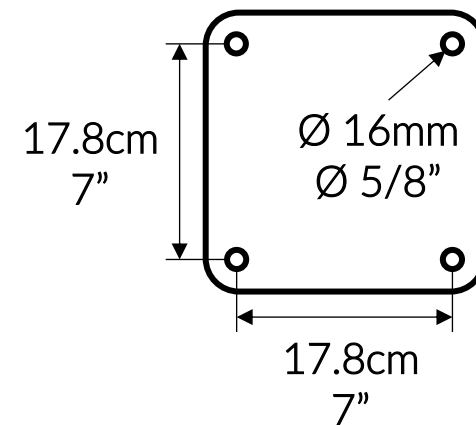
Part Reference	Description
PP-BUTT-SF	Butterfly (Surface Fix)



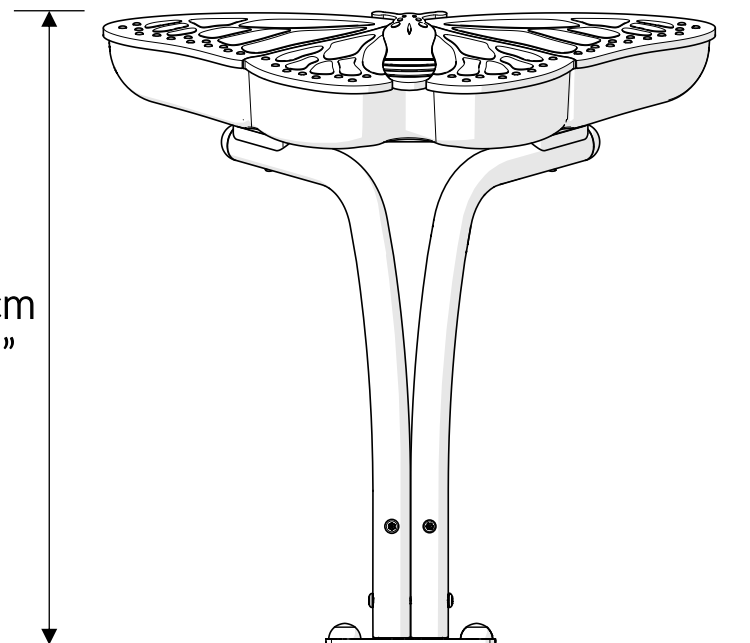




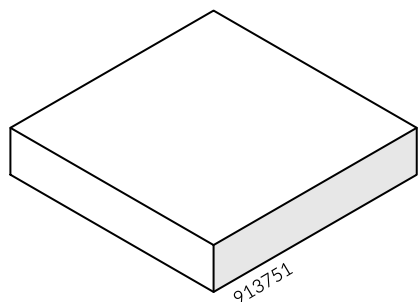
Check Risk Assessment



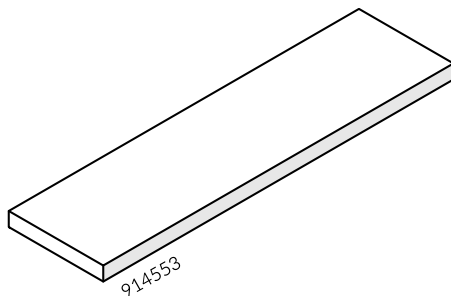
85.5cm
33.5"



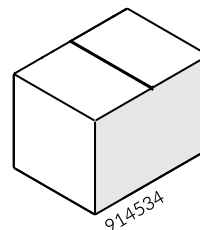
Packages



x1



x1



x1

		L	W	H	Weight
x1	913751	75cm / 29.5"	75cm / 29.5"	15cm / 6"	17kg / 37.5lbs
x1	914553	126cm / 49.5"	34cm / 13.5"	5cm / 2"	15kg / 33lbs
x1	914534	32cm / 12.5"	23cm / 9"	23cm / 9"	6kg / 13lbs

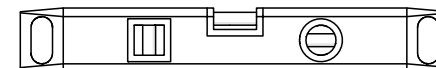
Tools required (not supplied)

¼" Bit Driver Ratchet

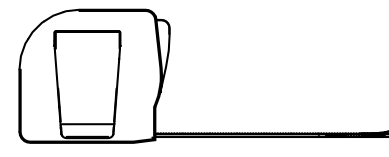


x2

Spirit level

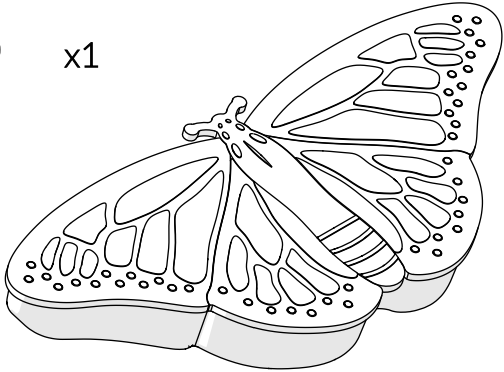


Tape Measure



913751

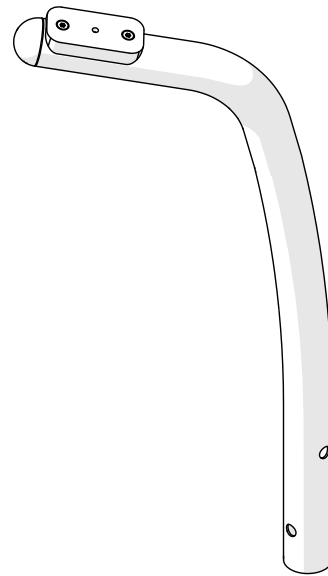
① x1



914553

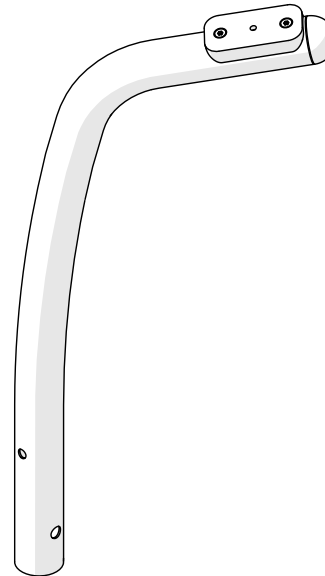
② x1

L
814530



③ x2

R
814529



⑥ x2

514536



TX30 x1

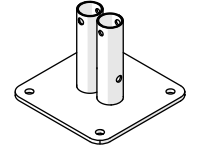
500473



914534

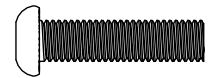
④ x1

814533



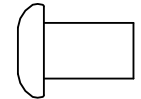
Ⓐ x2

501196



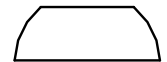
Ⓑ x4

500613



Ⓒ x4

601543



Ⓓ x4

601542



Ⓔ x1

514535



TX45 x2

500720

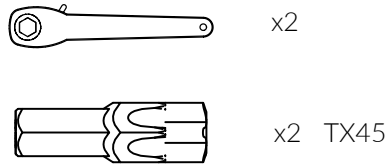


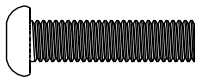
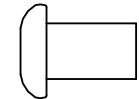
Not to scale

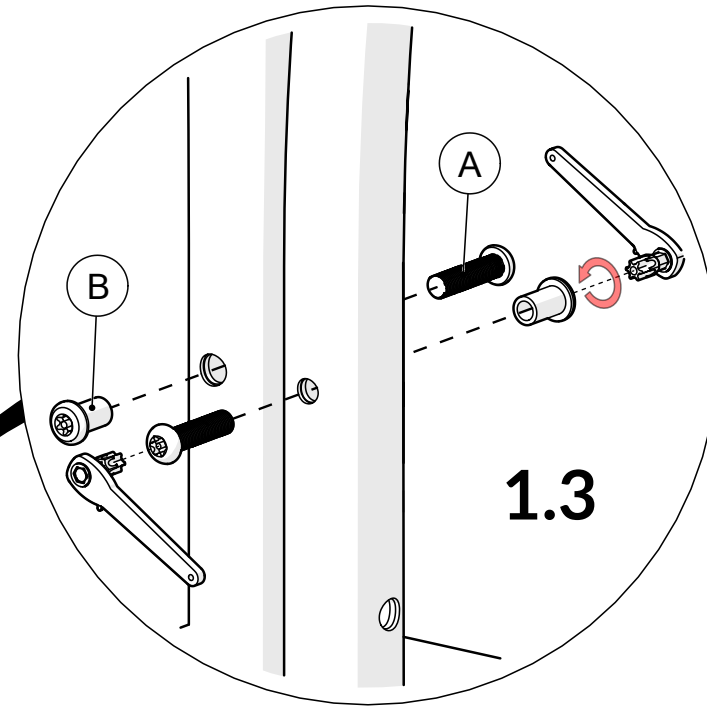
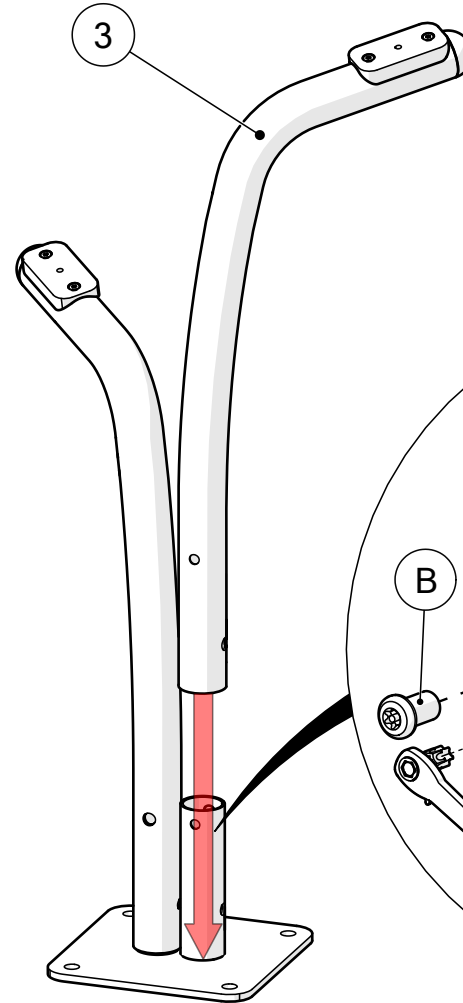
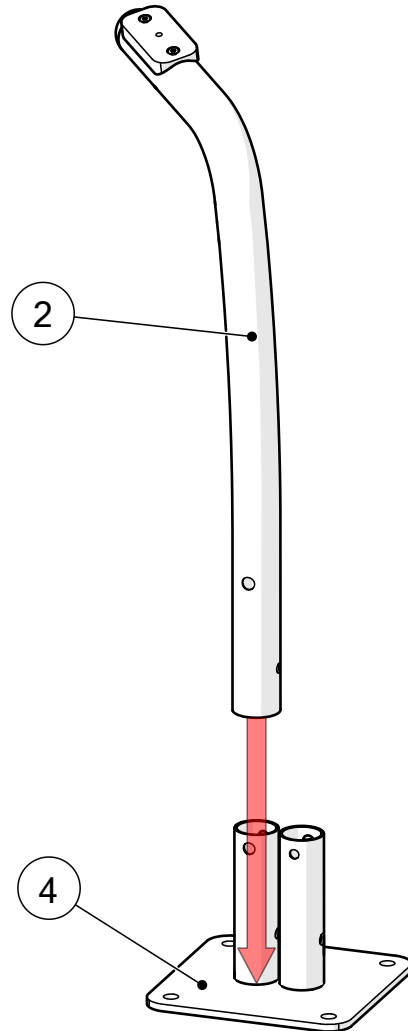
1.

1.1

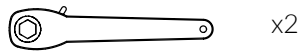
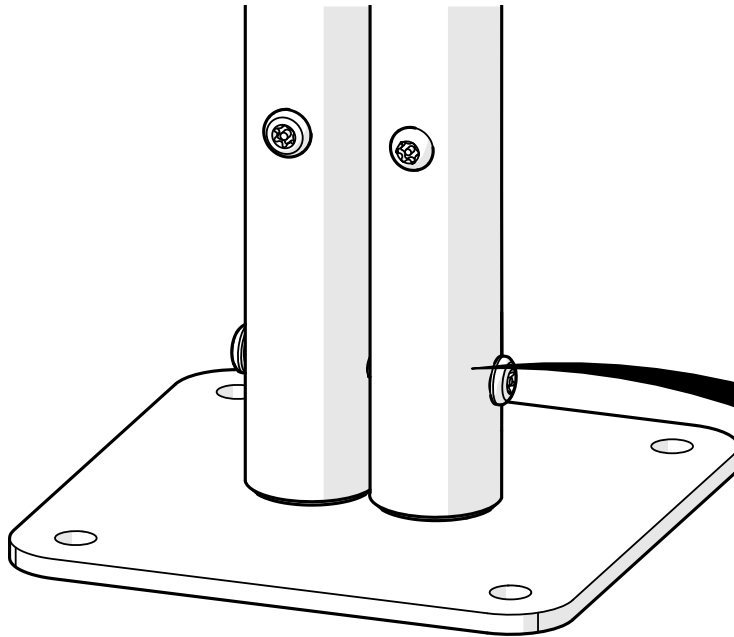
1.2



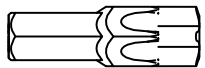
A		x2
B		x2



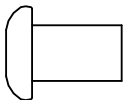

2.

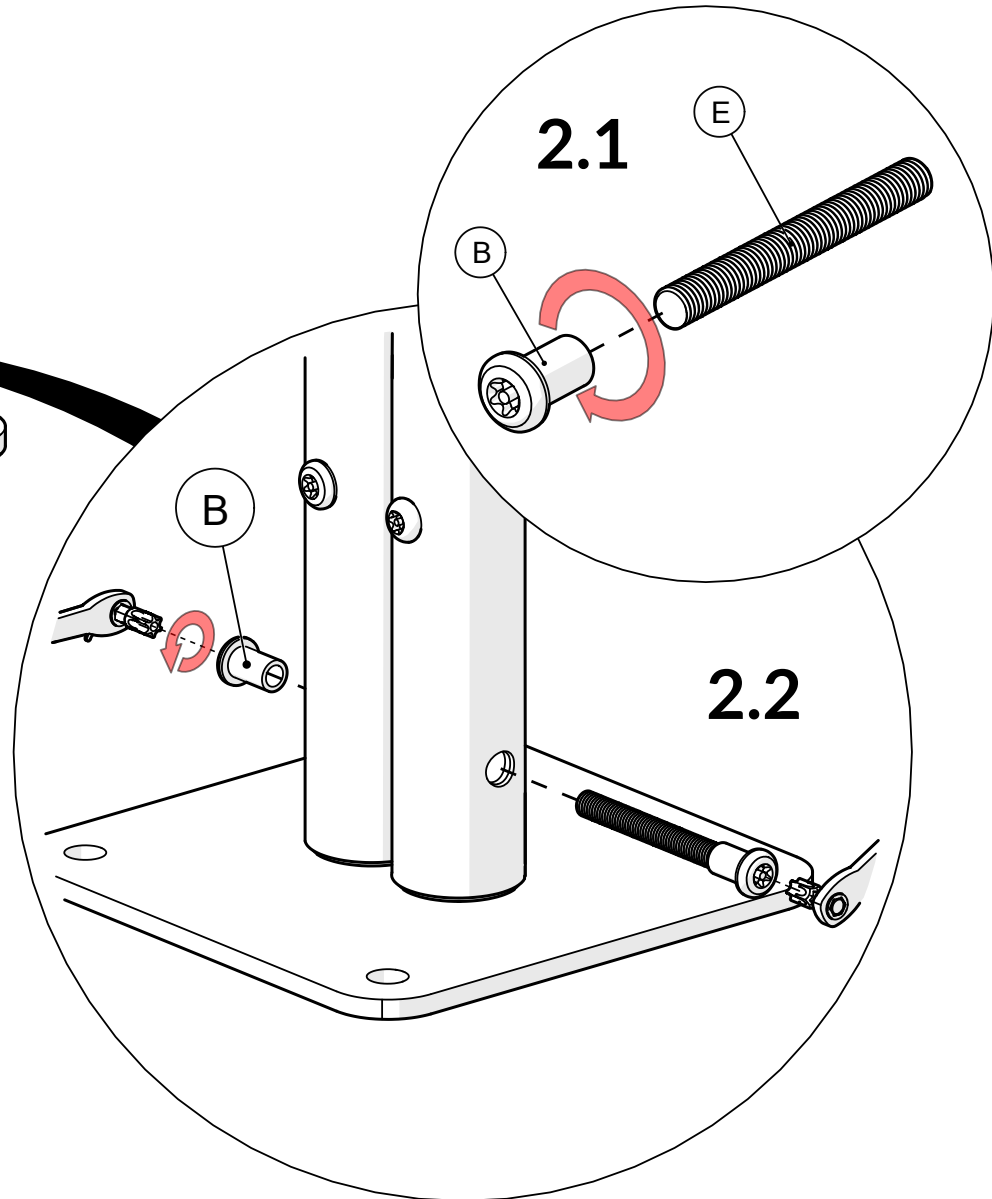


x2



x2 TX45

B		x2
E		x1



3.

Surface fixing should not present a hazard



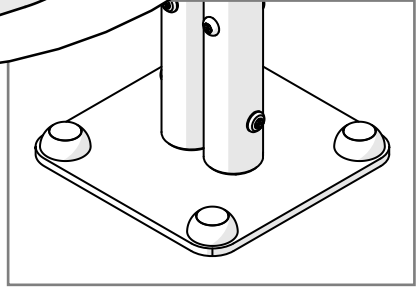
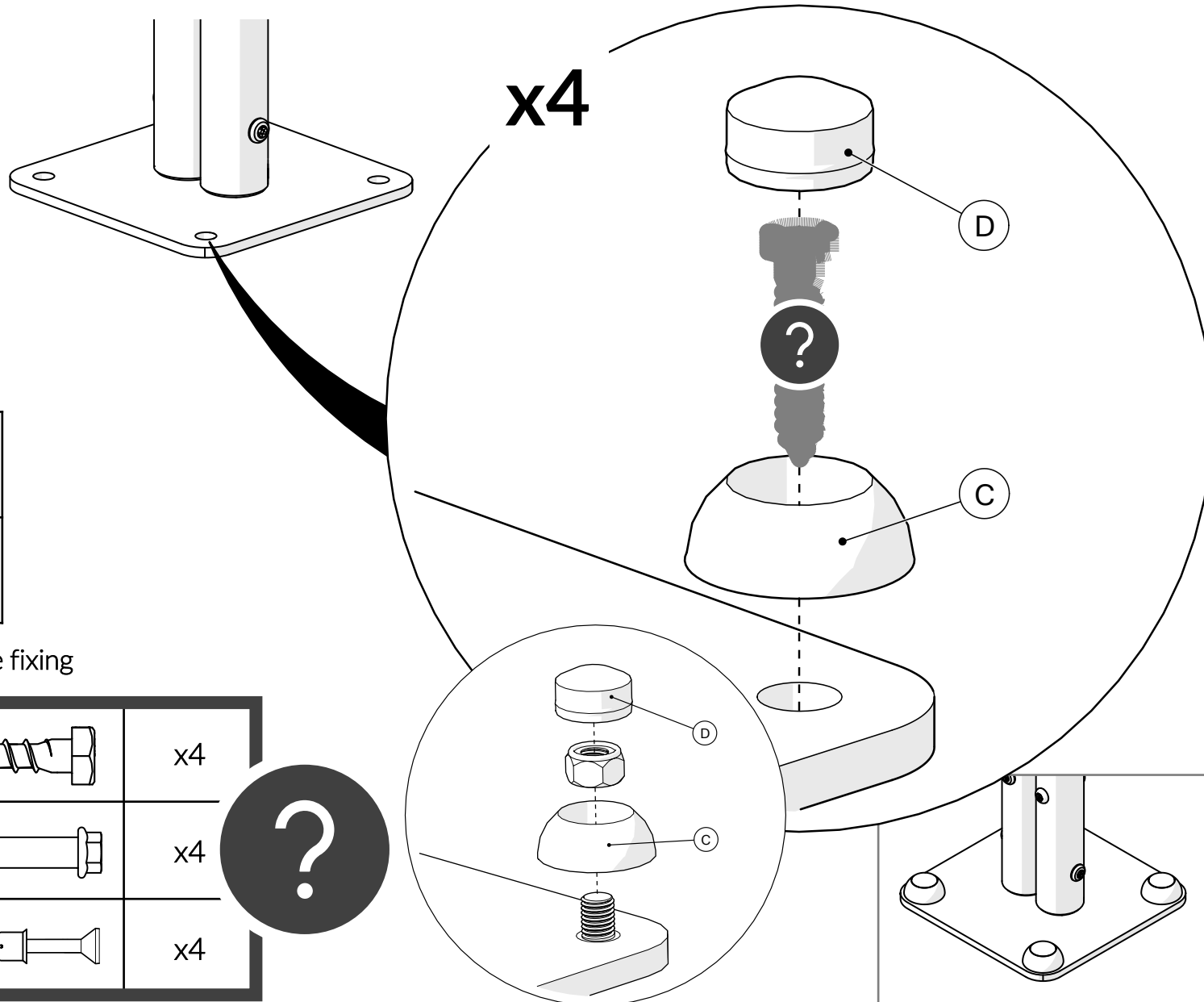
Refer to your local Health & Safety standards

C		x4
D		x4

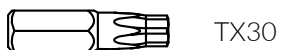
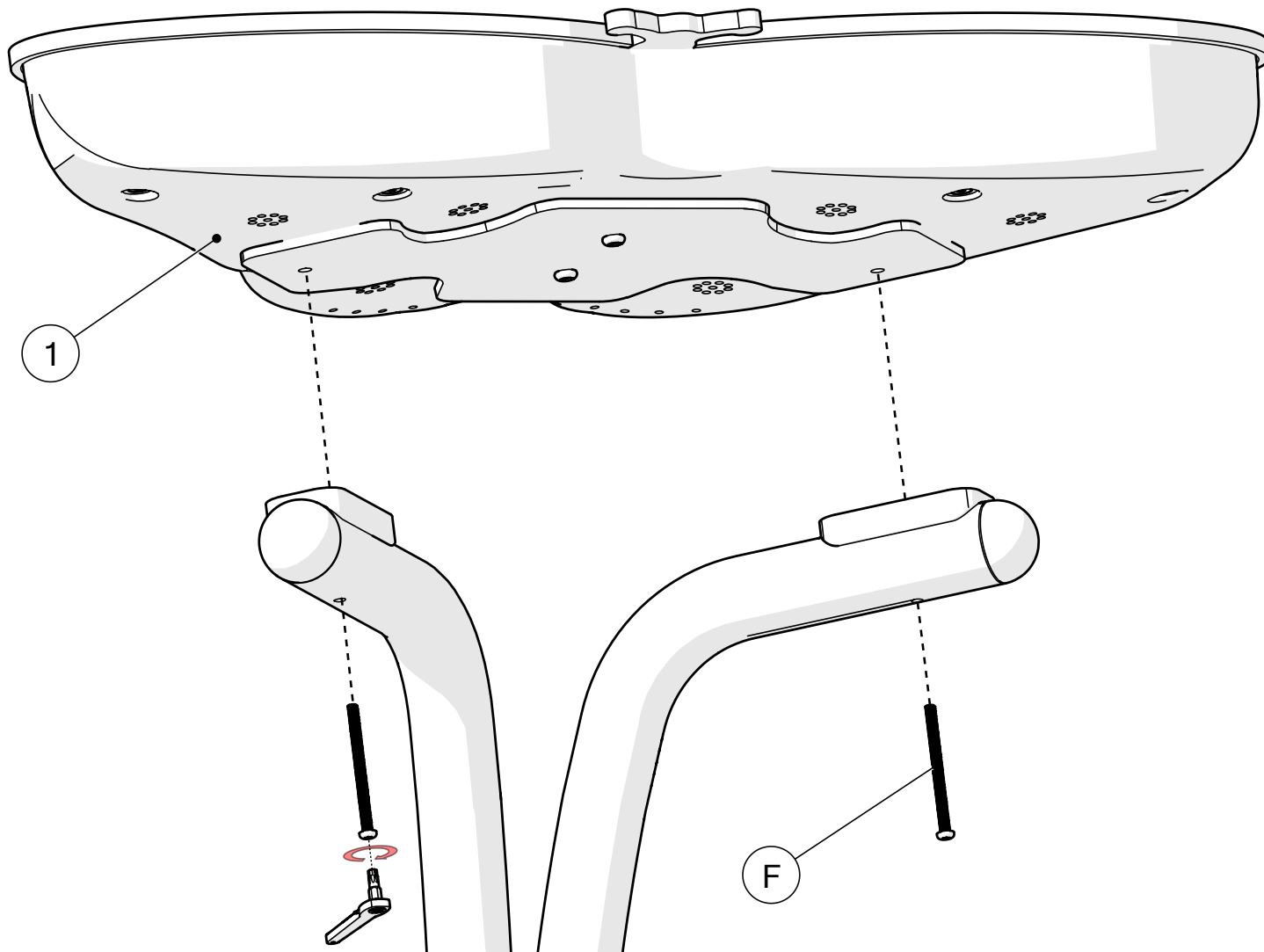
Surface

Example fixing


	Wood		x4
	Concrete		x4
	Brick		x4

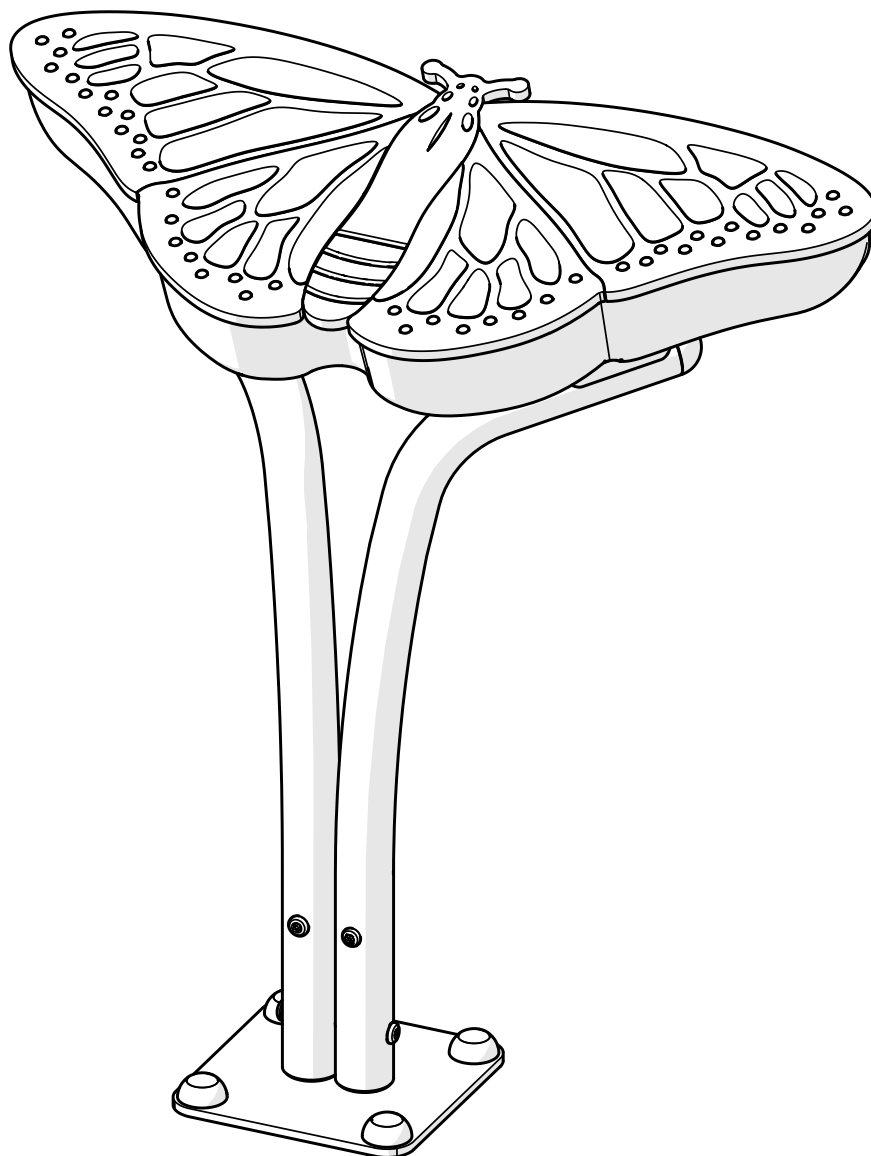


4.



TX30

F		x2
---	---	----



percussionplay.com



info@percussionplay.com



UK
[01730 235 180](tel:01730235180)

USA & CAN
[+1 \(866\) 882 9170](tel:+18668829170)

EUR & ROW
[+44 1730 235 180](tel:+441730235180)