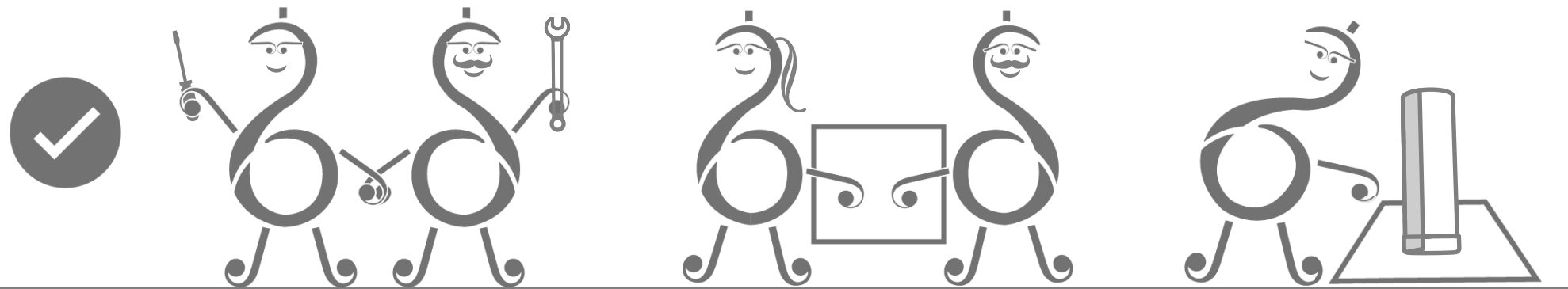
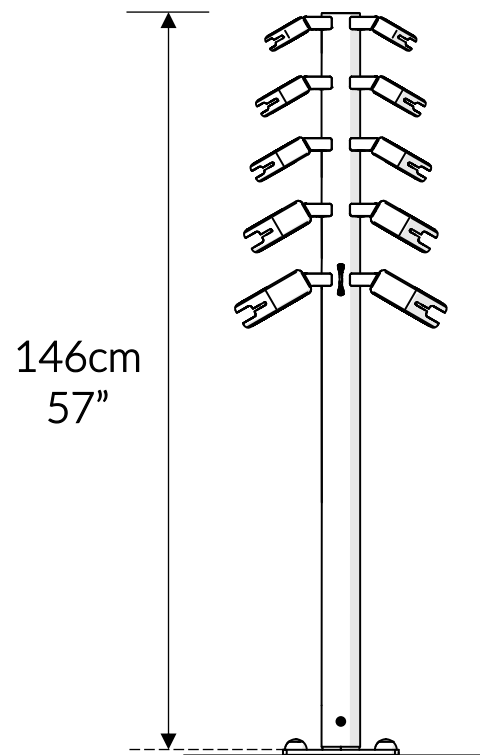
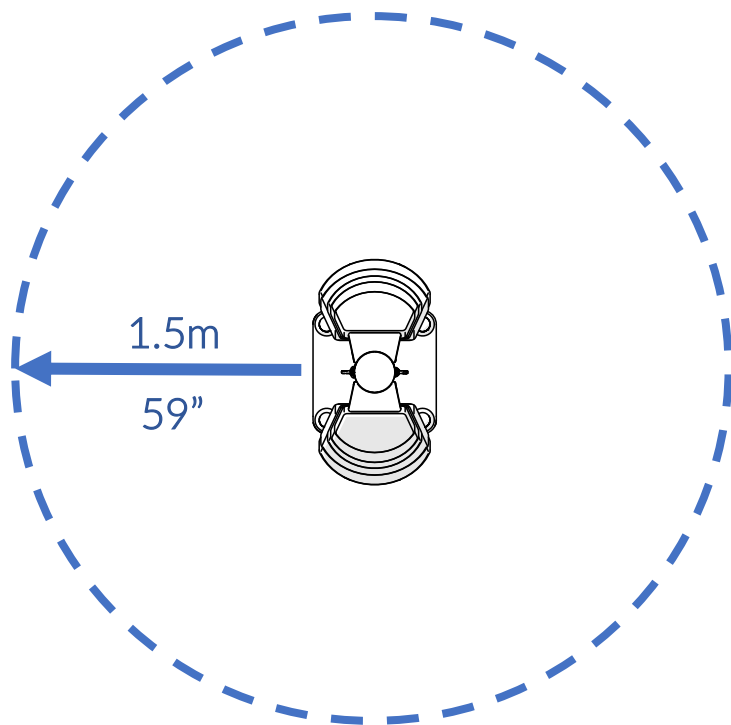


Part Reference	Description
PP-TEMP-SU	Temple Block Tree (Surface Fix)

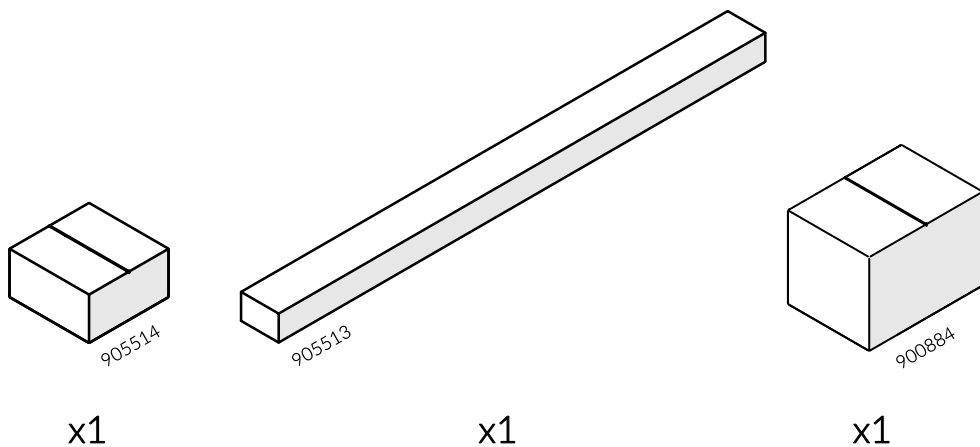






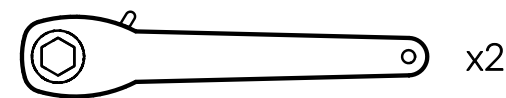
Check Risk Assessment

Packages

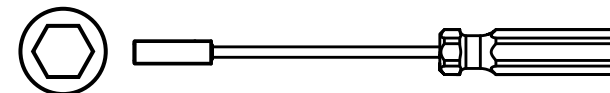


Tools required (not supplied)

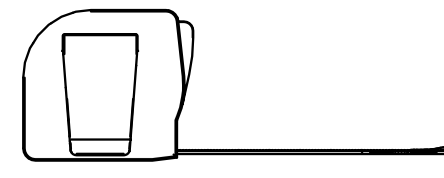
1/4" Bit Driver Ratchet



1/4" hex adapter / TX40 screwdriver

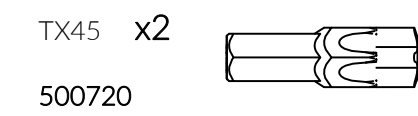
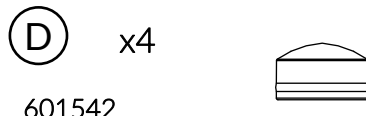
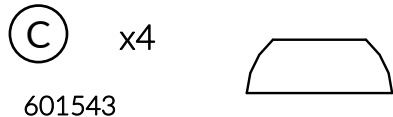
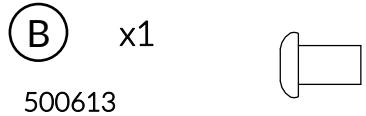
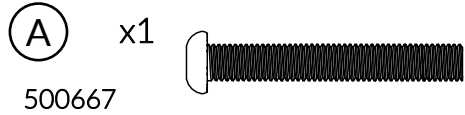
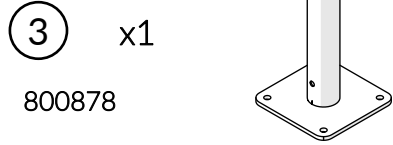


Tape Measure

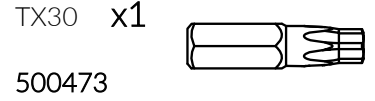
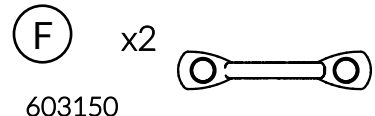
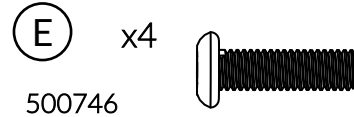
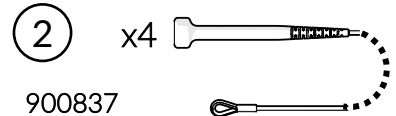
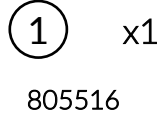


		L	W	H	Weight	Net
x1	905514	32cm / 12.5"	32cm / 12.5"	17cm / 7"	5kg / 11lbs	
x1	905513	194cm / 76"	15cm / 6"	10cm / 4"	11kg / 24lbs	
x1	900884	32cm / 12.5"	23cm / 9"	23cm / 9"	6kg / 13lbs	

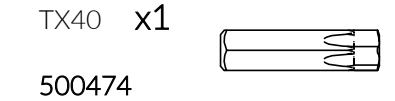
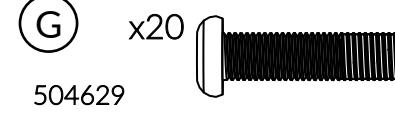
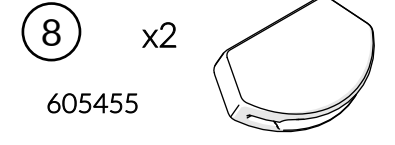
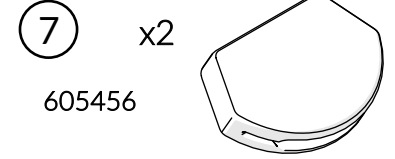
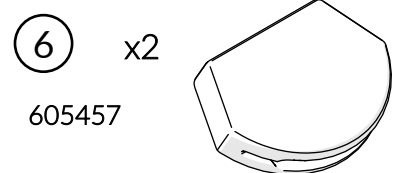
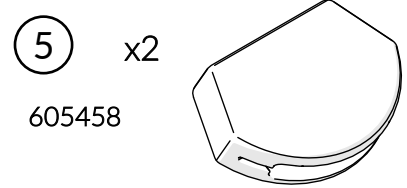
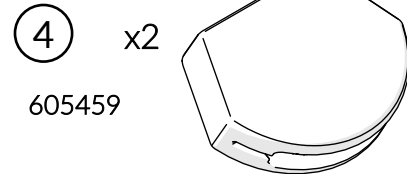
900884



905513

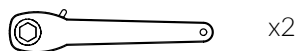


905514

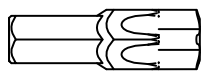


Not to scale

1.



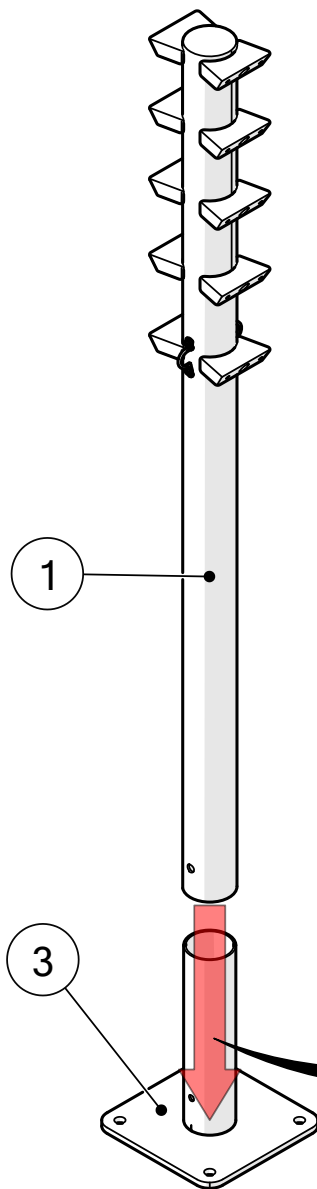
x2



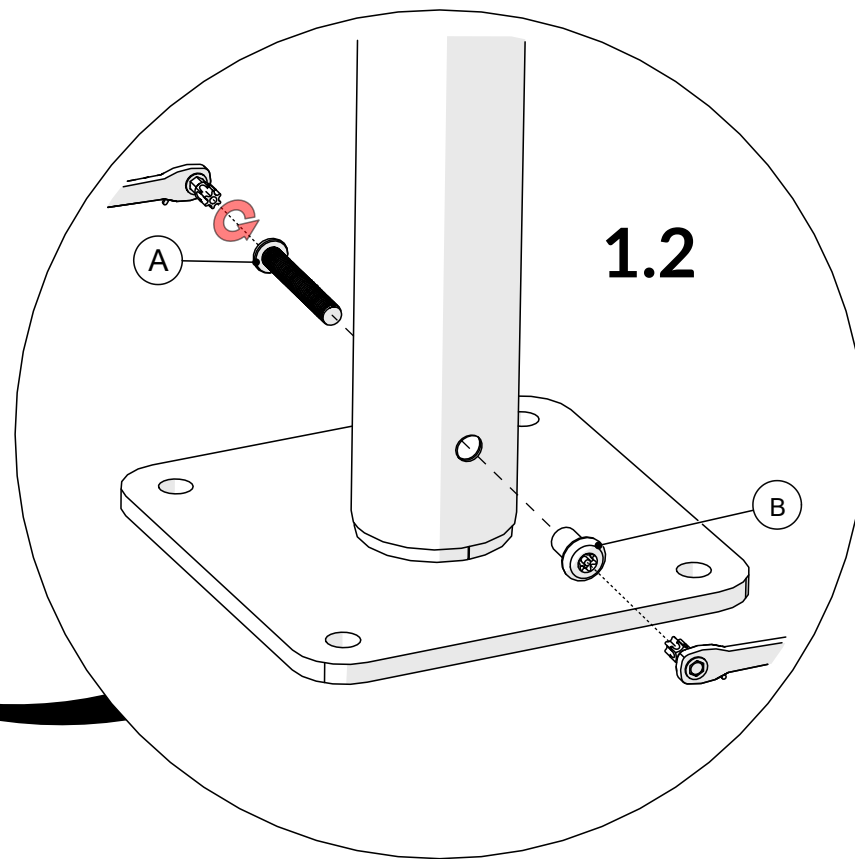
x2 TX45

A		x1
B		x1

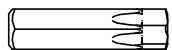
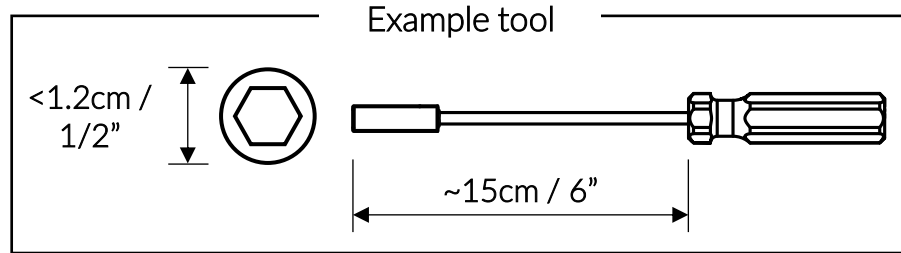
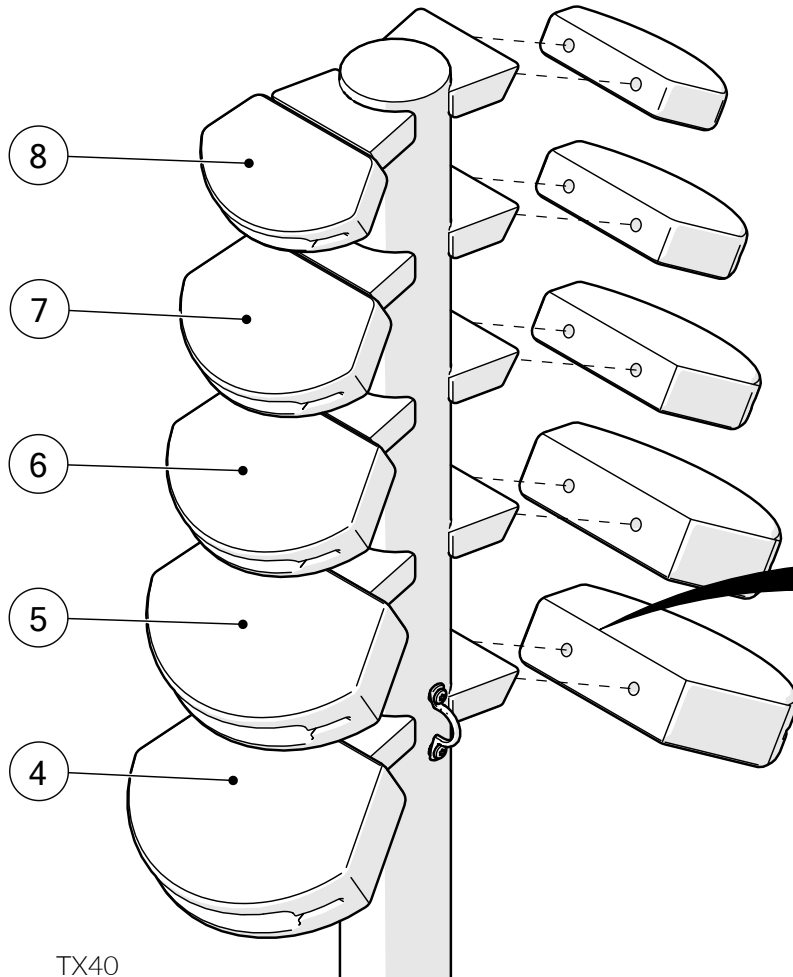
1.1



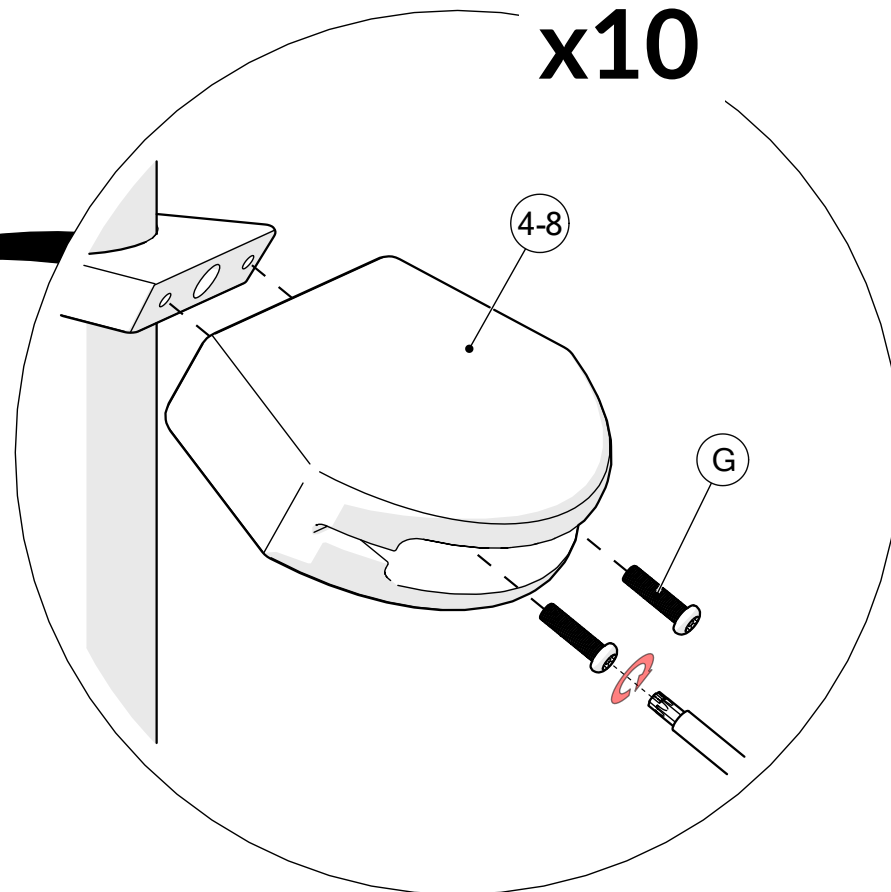
1.2

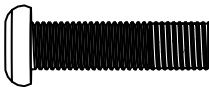


2.



TX40



G		x20
---	---	-----

3.

Surface fixing should not present a hazard



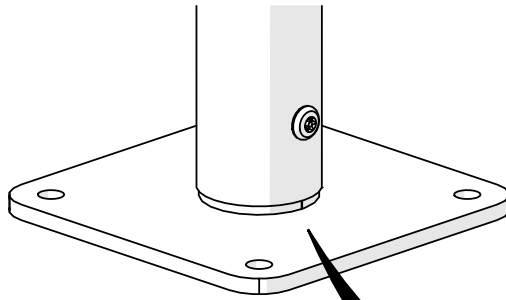
Refer to your local Health & Safety standards

C		x4
D		x4

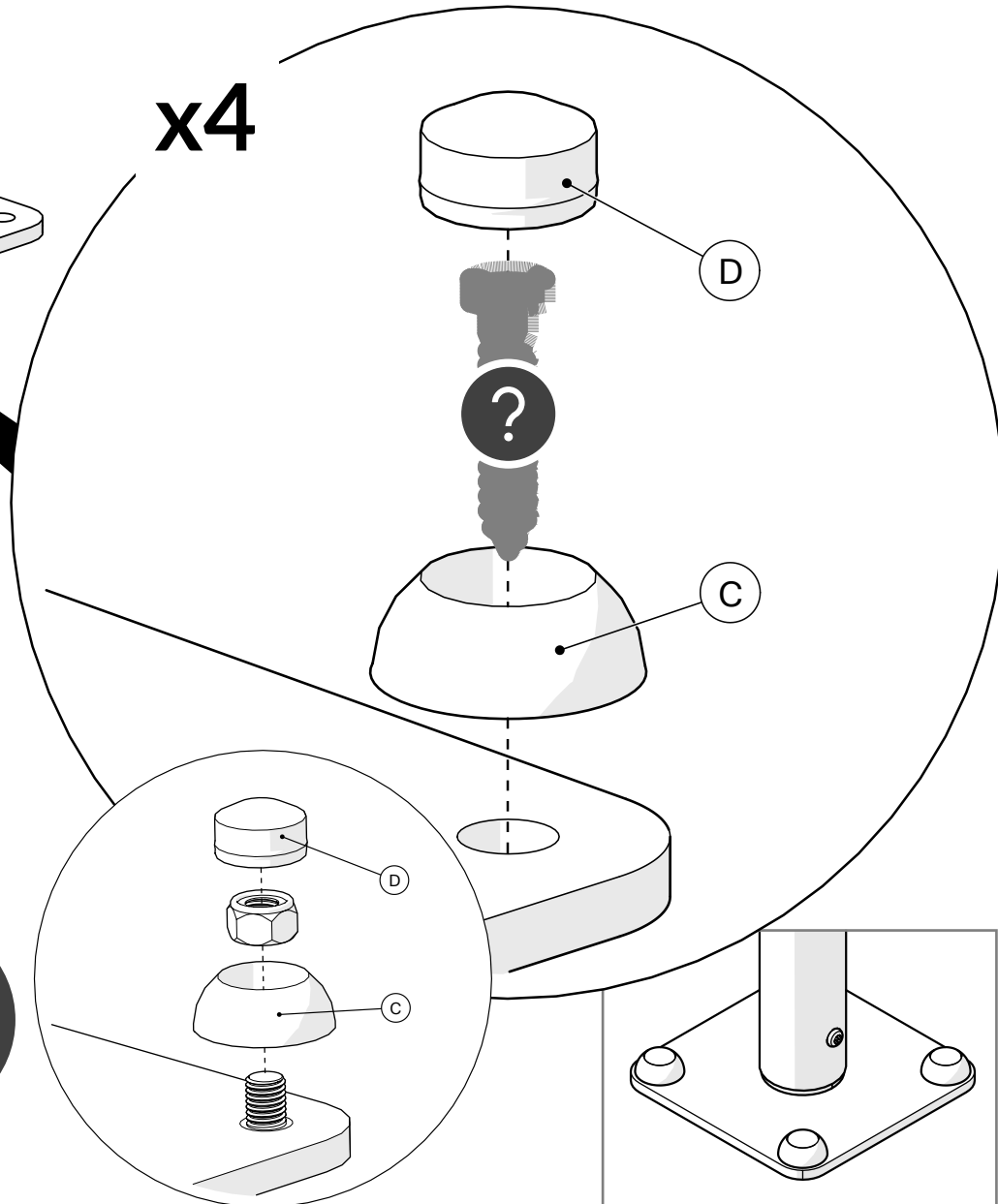
Surface

Example fixing

	Wood		x4
	Concrete		x4
	Brick		x4

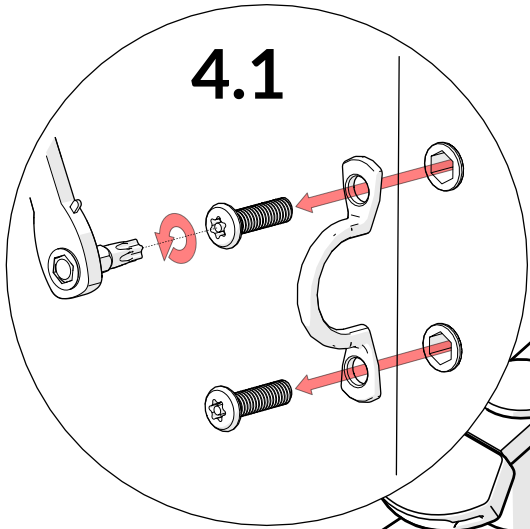


x4

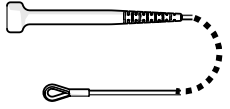
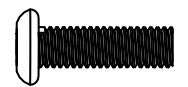
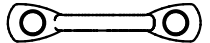


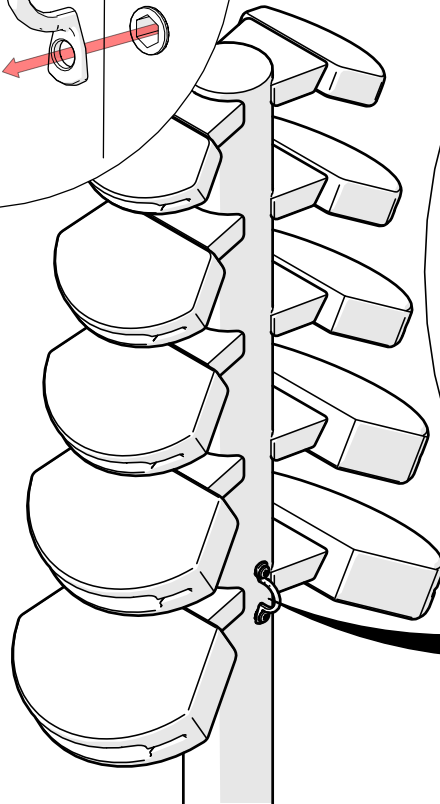
4.

4.1



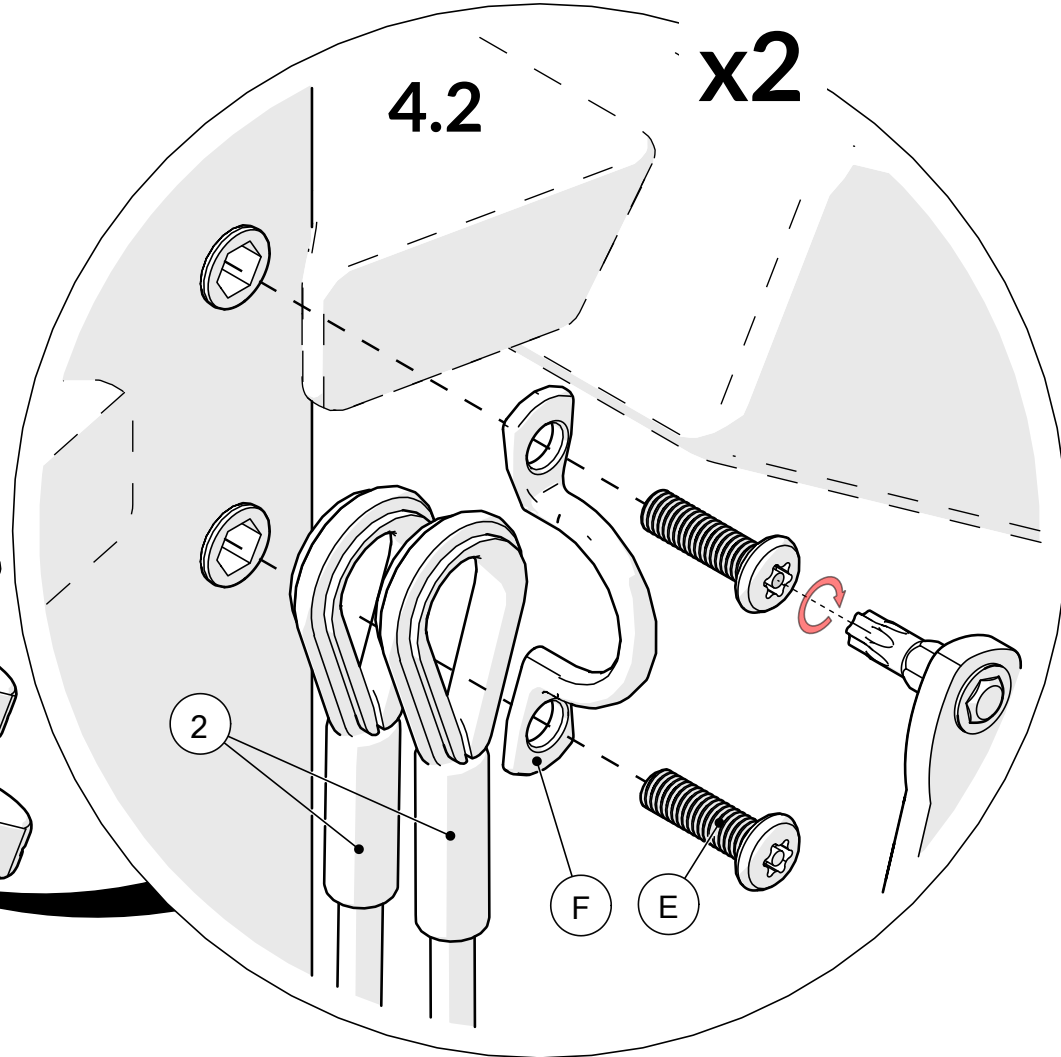
TX30

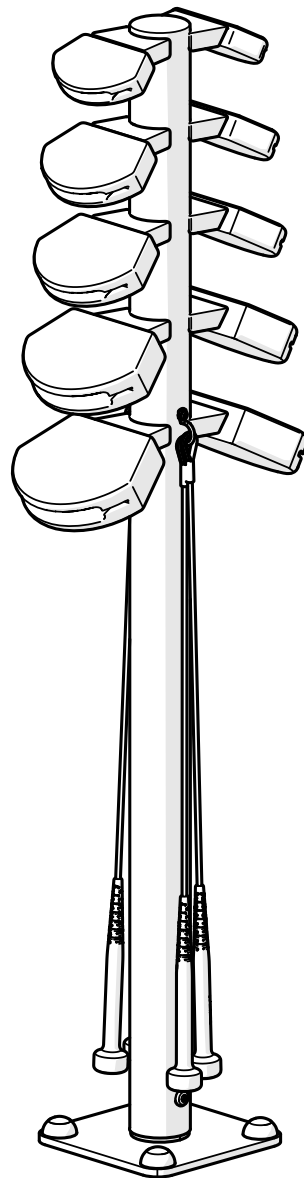
2		x4
E		x4
F		x2



4.2

x2





percussionplay.com



info@percussionplay.com



UK
[01730 235 180](tel:+441730235180)

USA & CAN
[+1 \(866\) 882 9170](tel:+18668829170)

EUR & ROW
[+44 1730 235 180](tel:+441730235180)