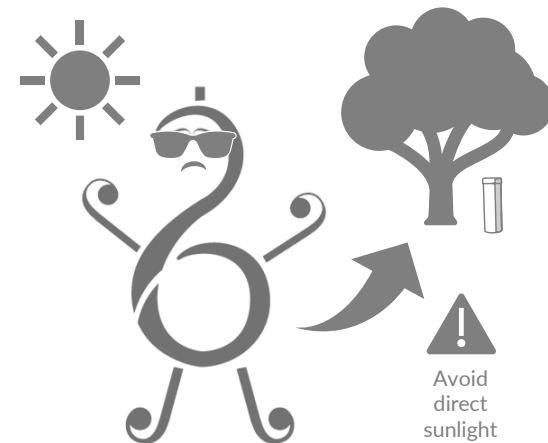
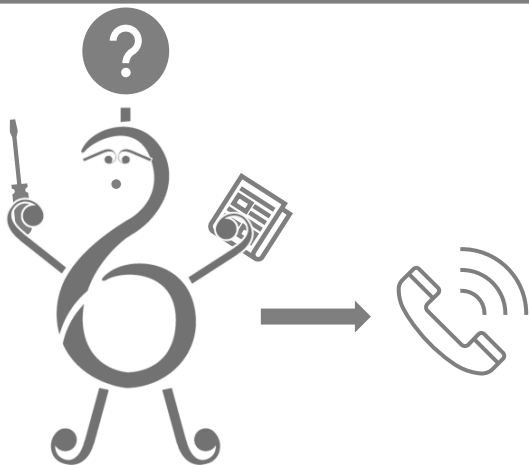
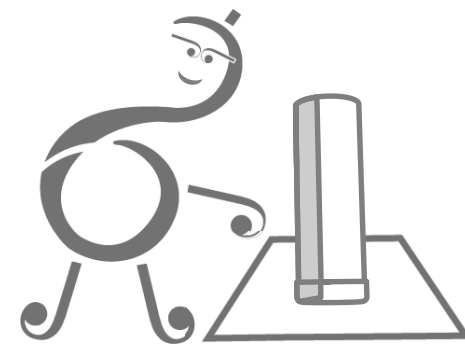
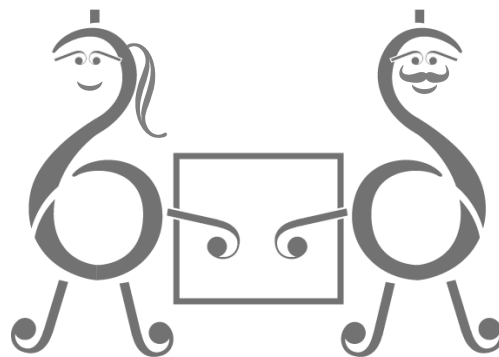
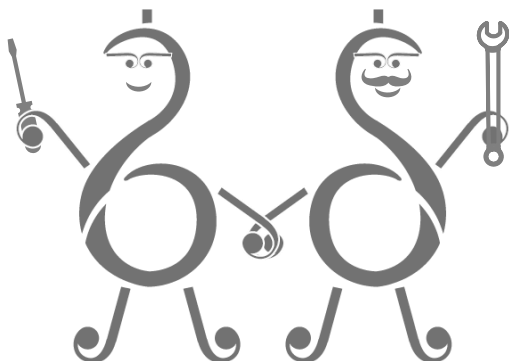
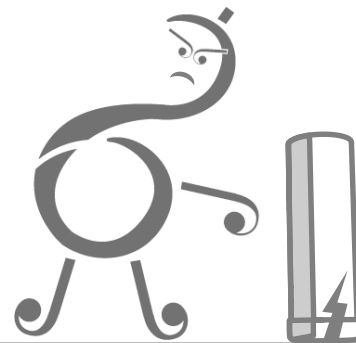
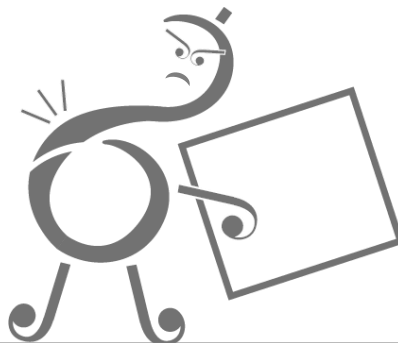
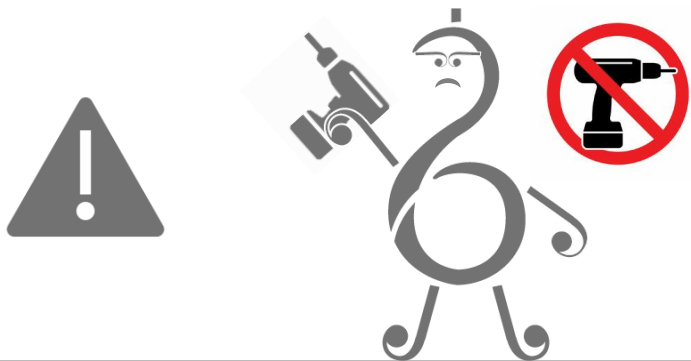
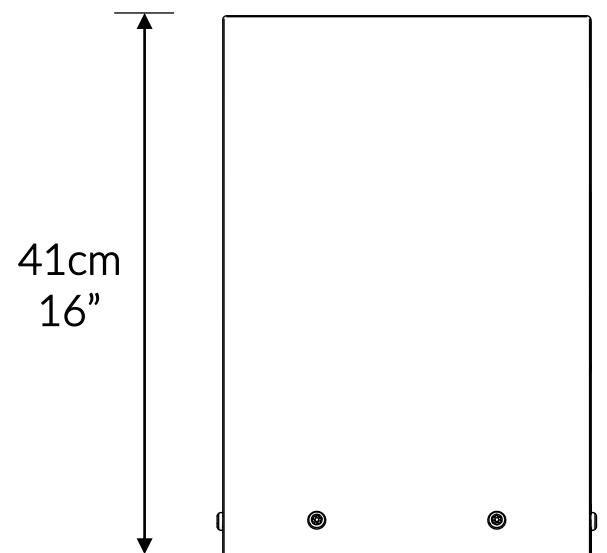
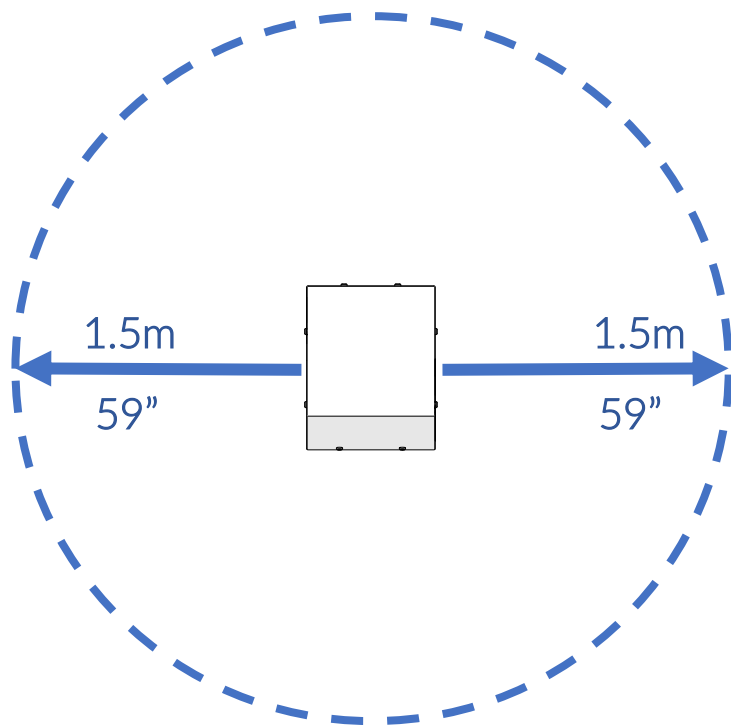


Part Reference	Description
PP-CAJO-EA-SU	Cajon (Surface Fix)



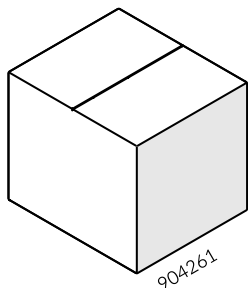


!  
Avoid  
direct  
sunlight



Check Risk Assessment

### Packages



x1

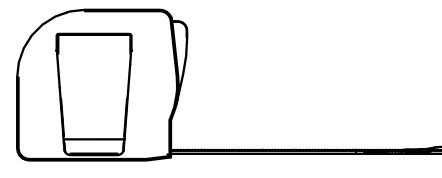
		L	W	H	Weight	Net
x1	904261	50cm / 20"	43cm / 17"	43cm / 17"	20kg / 44lbs	16kg / 35lbs

### Tools required (not supplied)

¼" Bit Driver Ratchet



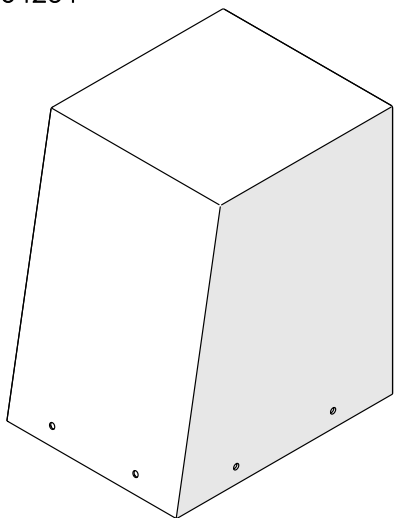
Tape Measure



904261

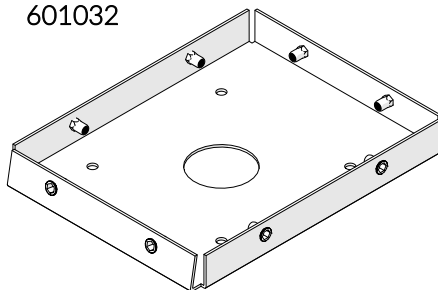
① x2

804264



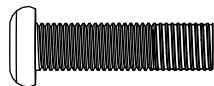
② x1

601032



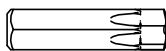
Ⓐ x8

502451



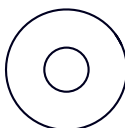
TX40 x1

500474



Ⓑ x4

500444



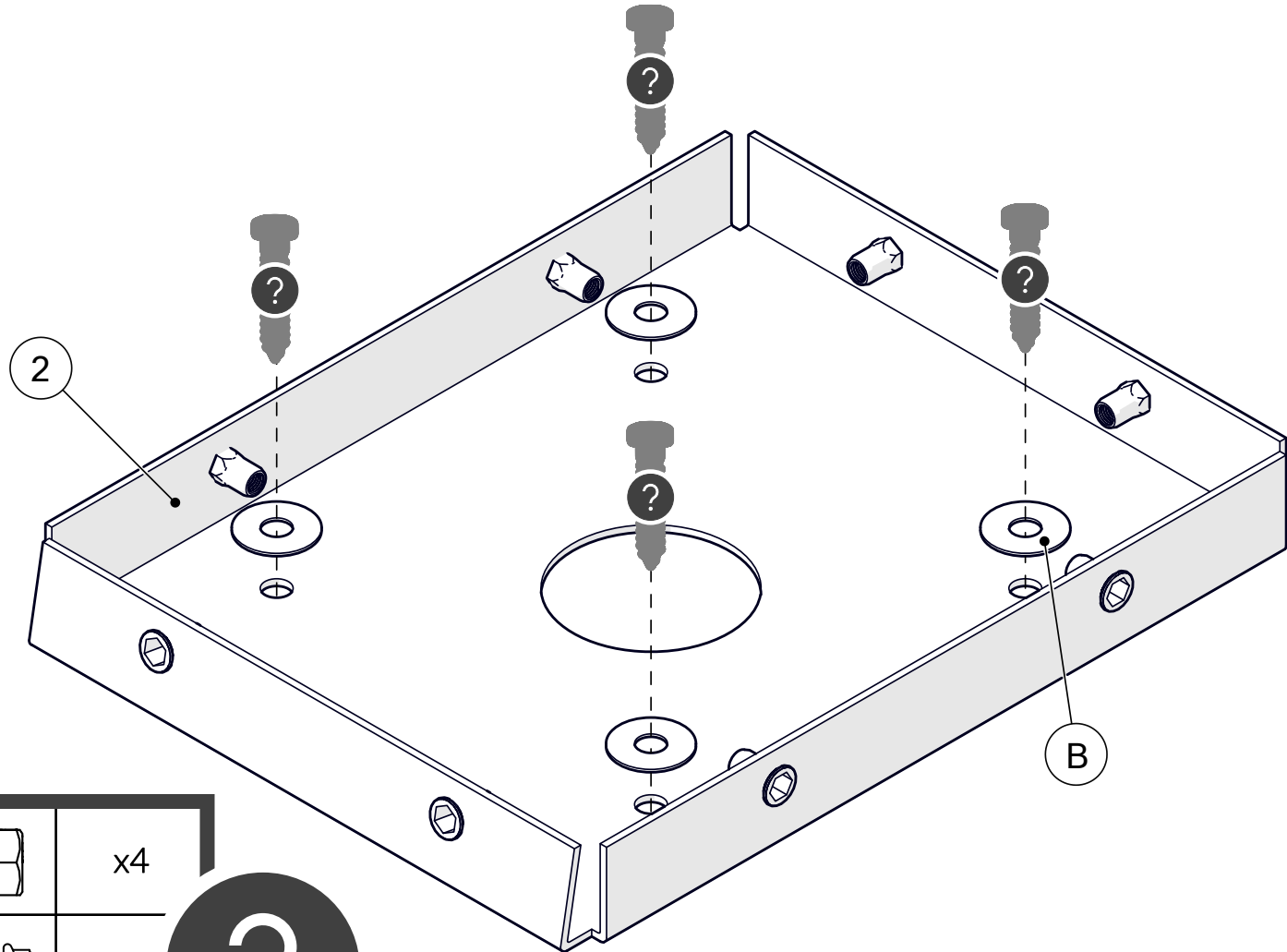
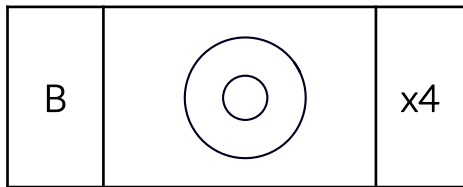
Not to scale

# 1.



Surface fixing should not present a hazard

Refer to your local Health & Safety standards



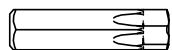
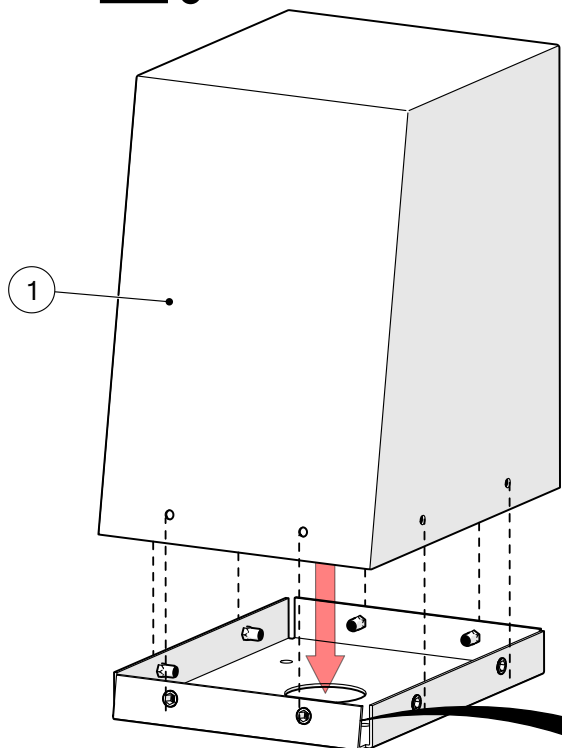
Surface

Example fixing

	Wood		x4
	Concrete		x4
	Brick		x4

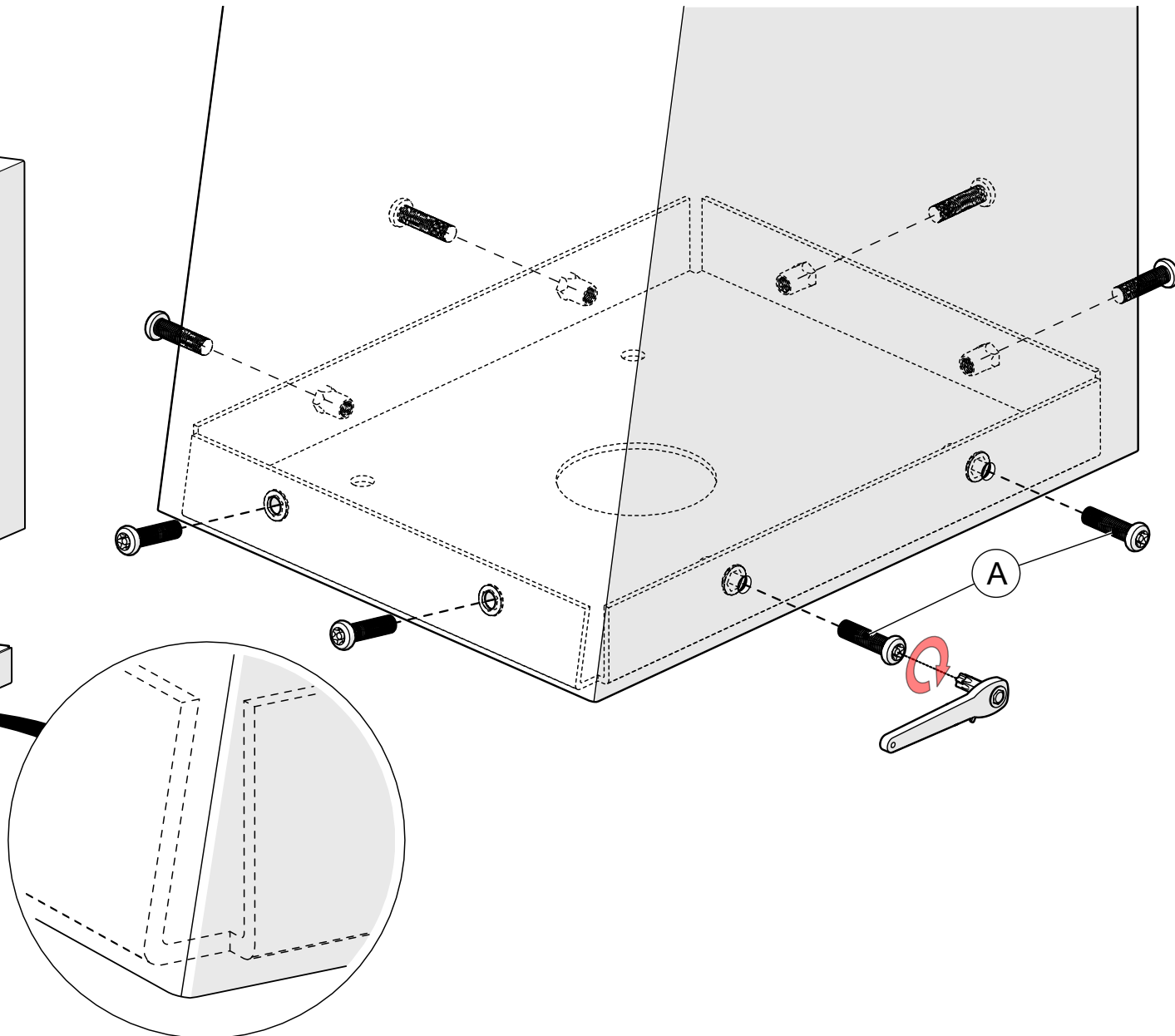


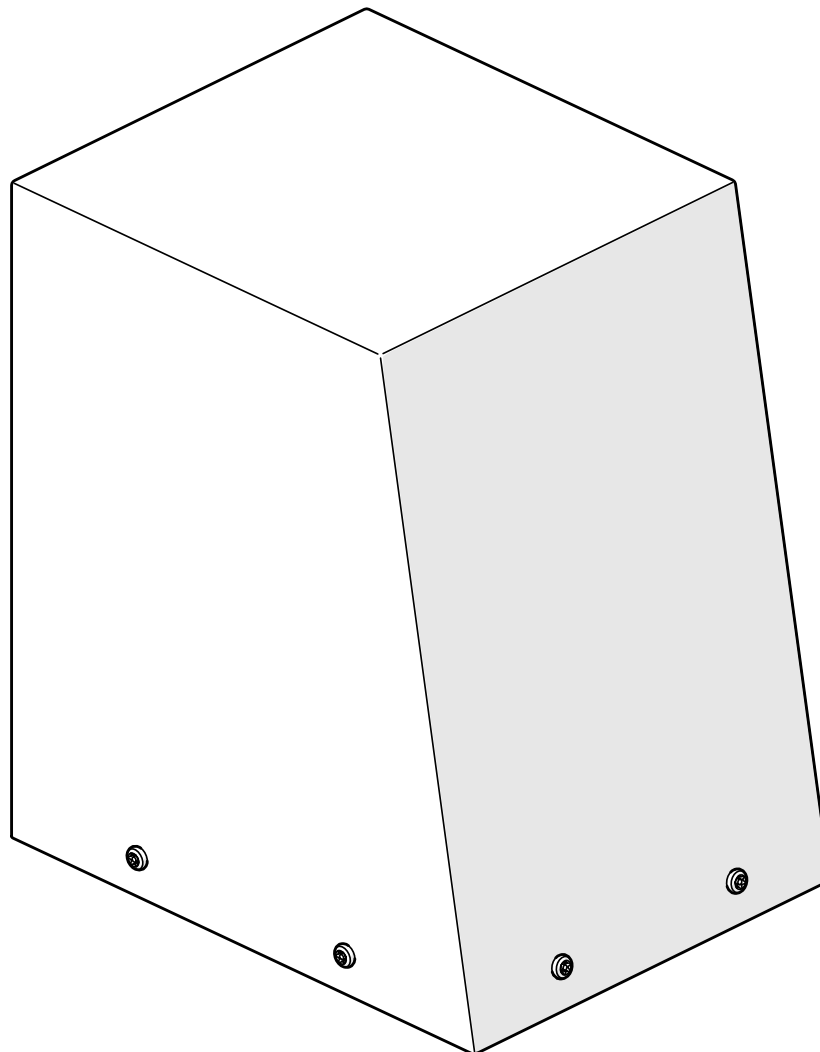
2.



TX40

A		x8
---	--	----





[percussionplay.com](http://percussionplay.com)



[info@percussionplay.com](mailto:info@percussionplay.com)



UK  
[01730 235 180](tel:01730235180)

USA & CAN  
[+1 \(866\) 882 9170](tel:+18668829170)

EUR & ROW  
[+44 1730 235 180](tel:+441730235180)