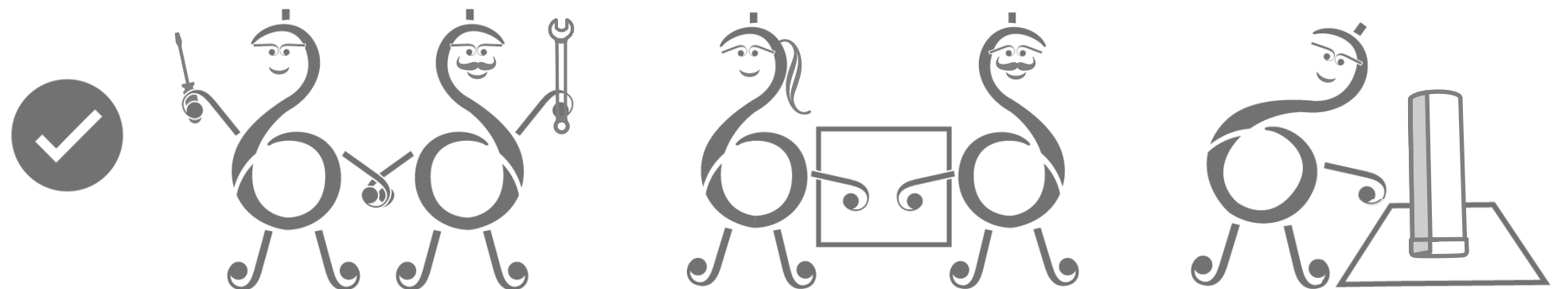
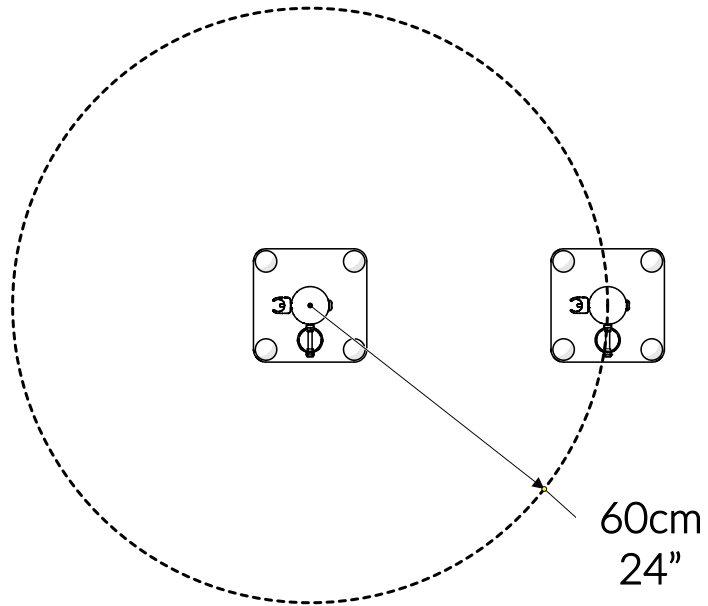
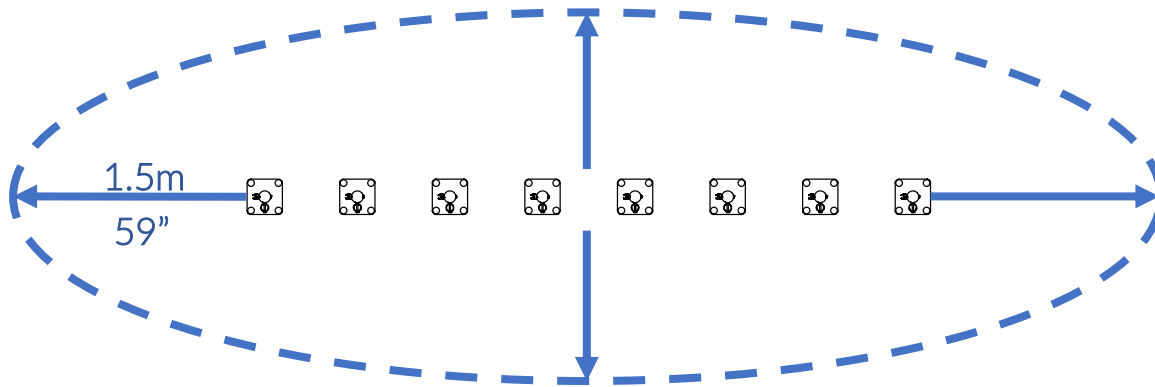


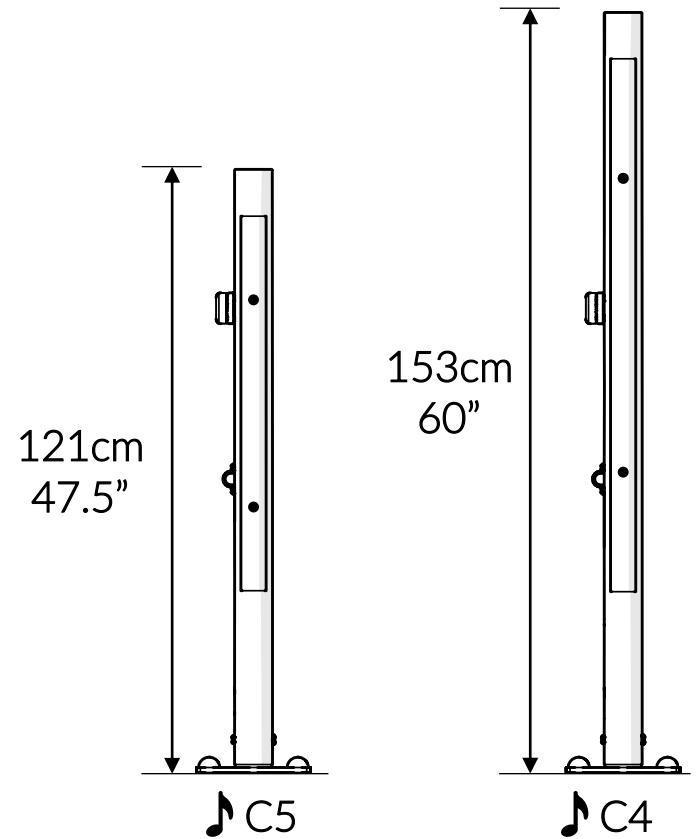
Part Reference	Description
PP-CALY-S8-DI-SU	Calypso Chimes Diatonic (Set 8) (Surface Fix)



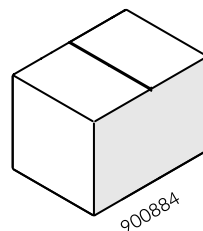
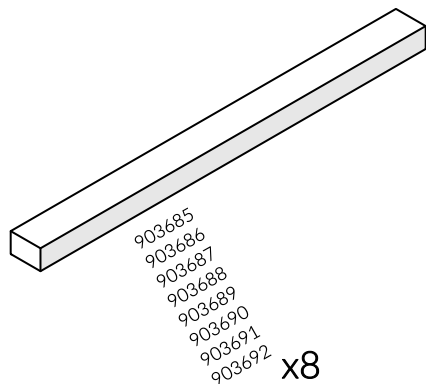




Check Risk Assessment



Packages



x8

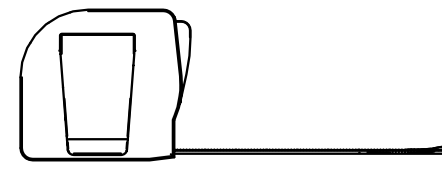
		L	W	H	Weight	Net
x1	903685	194cm / 76"	15cm / 6"	10cm / 4"	6kg / 13lbs	
x1	903686					
x1	903687					
x1	903688					
x1	903689					
x1	903690					
x1	903691					
x1	903692					
x8	900884	32cm / 12.5"	23cm / 9"	23cm / 9"	6kg / 13lbs	

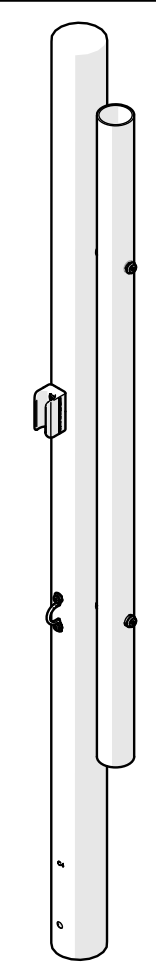
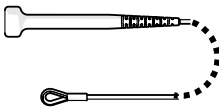

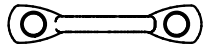

Tools required (not supplied)

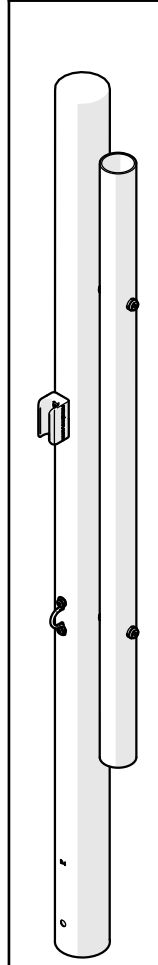
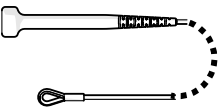

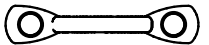

¼" Bit Driver Ratchet

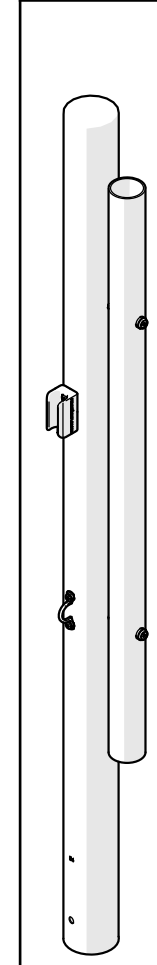
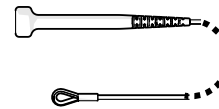
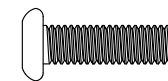
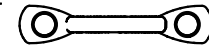
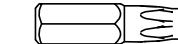


Tape Measure



903685	
 <p>① x1 C4</p>	<p>⑩ x1 900837</p> 
	<p>Ⓔ x2 500746</p> 
	<p>Ⓕ x1 603150</p> 
	<p>x1 TX30 500473</p> 

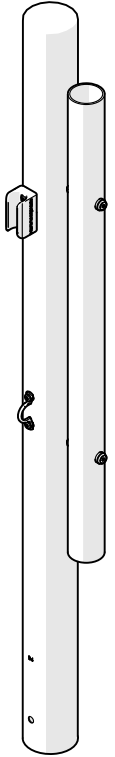
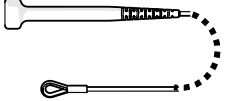
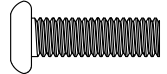
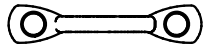

903686	
 <p>② x1 D4</p>	<p>⑩ x1 900837</p> 
	<p>Ⓔ x2 500746</p> 
	<p>Ⓕ x1 603150</p> 
	<p>x1 TX30 500473</p> 

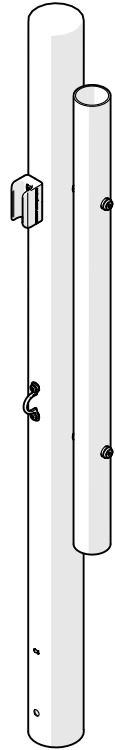
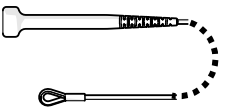
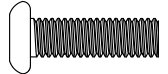
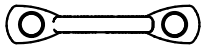

903687	
 <p>③ x1 E4</p>	<p>⑩ x1 900837</p> 
	<p>Ⓔ x2 500746</p> 
	<p>Ⓕ x1 603150</p> 
	<p>x1 TX30 500473</p> 

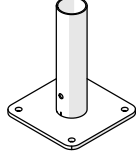


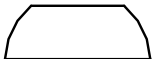

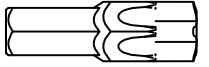
903688	
	<p>(10) x1 900837</p>
	<p>(E) x2 500746</p>
	<p>(F) x1 603150</p>
	<p>x1 TX30 500473</p>
<p>(4) x1 F4</p>	

903689	
	<p>(10) x1 900837</p>
	<p>(E) x2 500746</p>
	<p>(F) x1 603150</p>
	<p>x1 TX30 500473</p>
<p>(5) x1 G4</p>	

903690	
	<p>(10) x1 900837</p>
	<p>(E) x2 500746</p>
	<p>(F) x1 603150</p>
	<p>x1 TX30 500473</p>
<p>(6) x1 A4</p>	

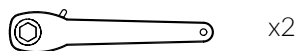
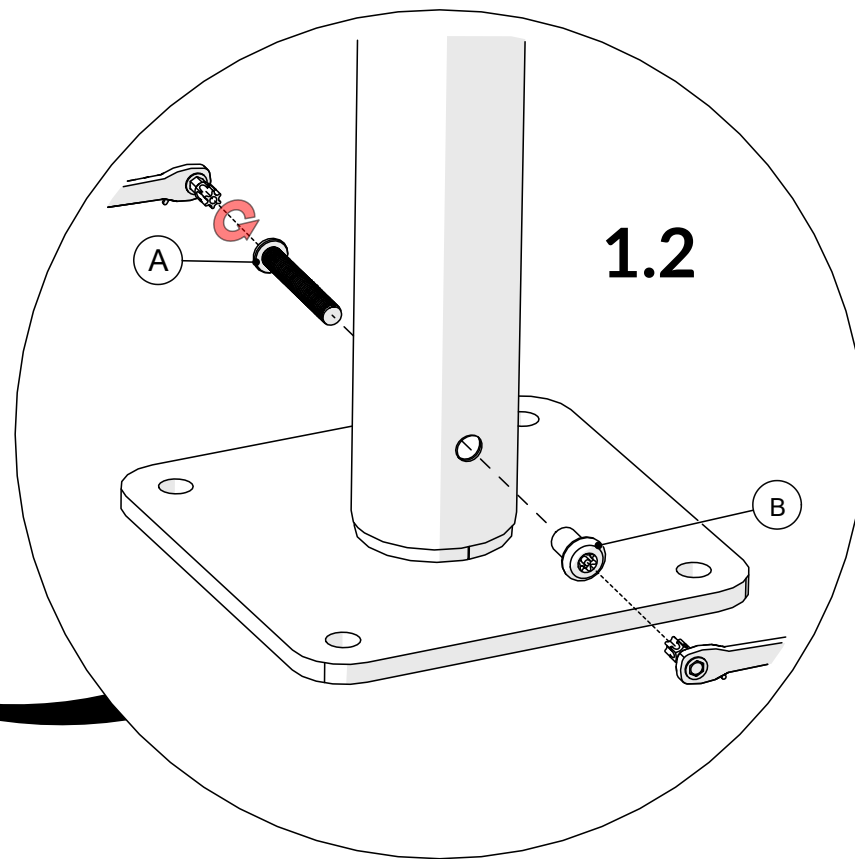
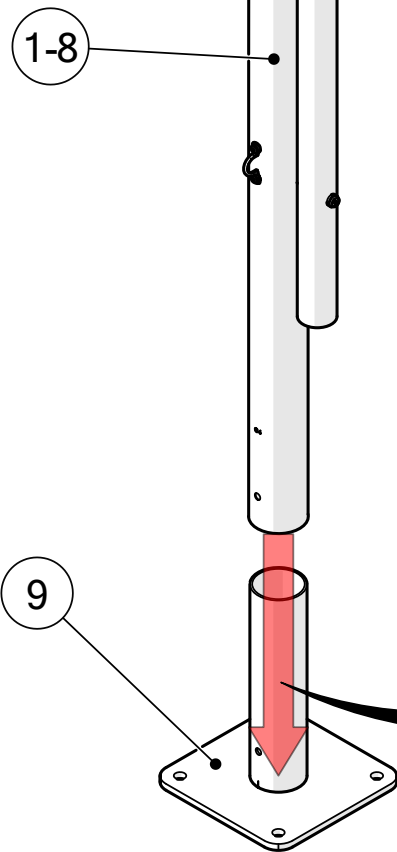
903691	
 <p>⑦ x1 B4</p>	<p>⑩ x1 900837</p> 
	<p>Ⓔ x2 500746</p> 
	<p>Ⓕ x1 603150</p> 
	<p>x1 TX30 500473</p> 

903692	
 <p>⑧ x1 C5</p>	<p>⑩ x1 900837</p> 
	<p>Ⓔ x2 500746</p> 
	<p>Ⓕ x1 603150</p> 
	<p>x1 TX30 500473</p> 

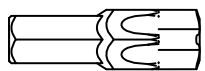
900884		x8
<p>⑨ x1 800878</p> 		
<p>Ⓐ x1 500667</p> 		
<p>Ⓑ x1 500613</p> 		
<p>Ⓒ x4 601543</p> 		
<p>Ⓓ x4 601542</p> 		
<p>TX45 x2 500720</p> 		

1. x8


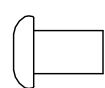
1.1



x2



x2 TX45

A		x8
B		x8

2. x8



Surface fixing should not present a hazard

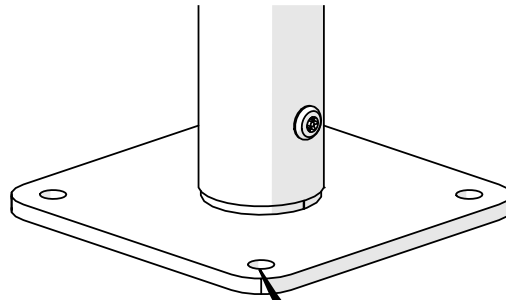
Refer to your local Health & Safety standards

C		x32
D		x32

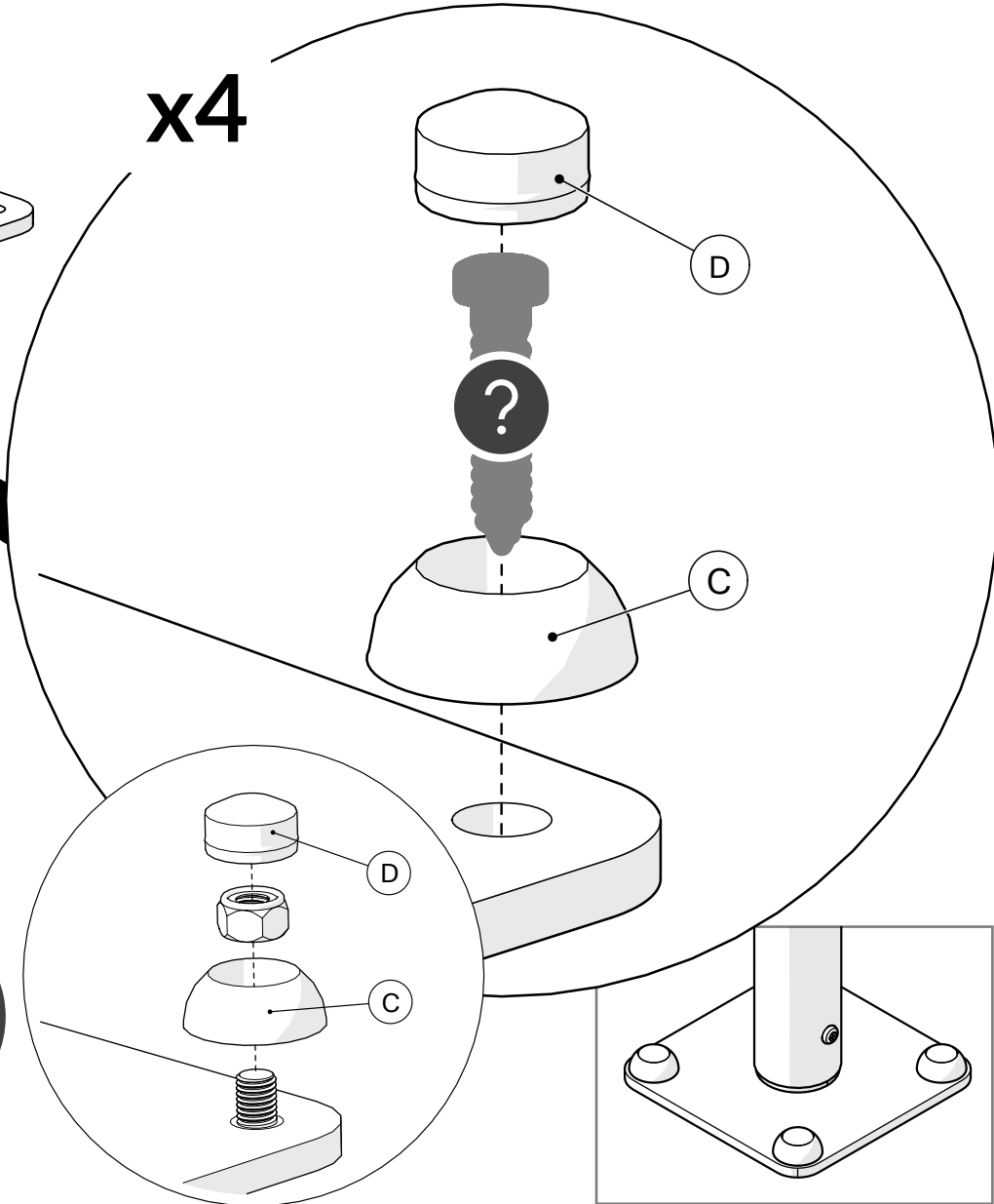
Surface

Example fixing

	Wood		x32
	Concrete		x32
	Brick		x32



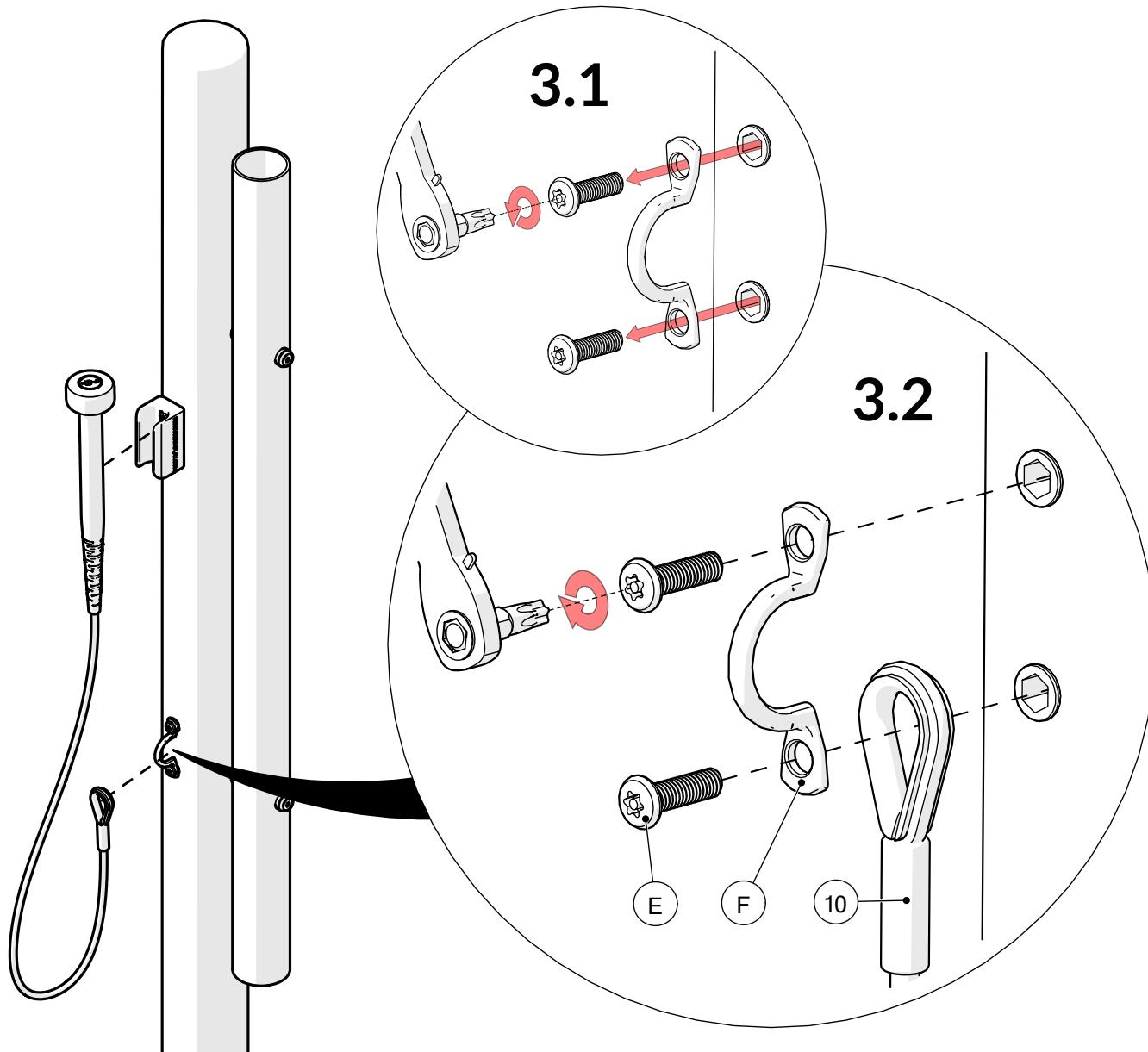
x4

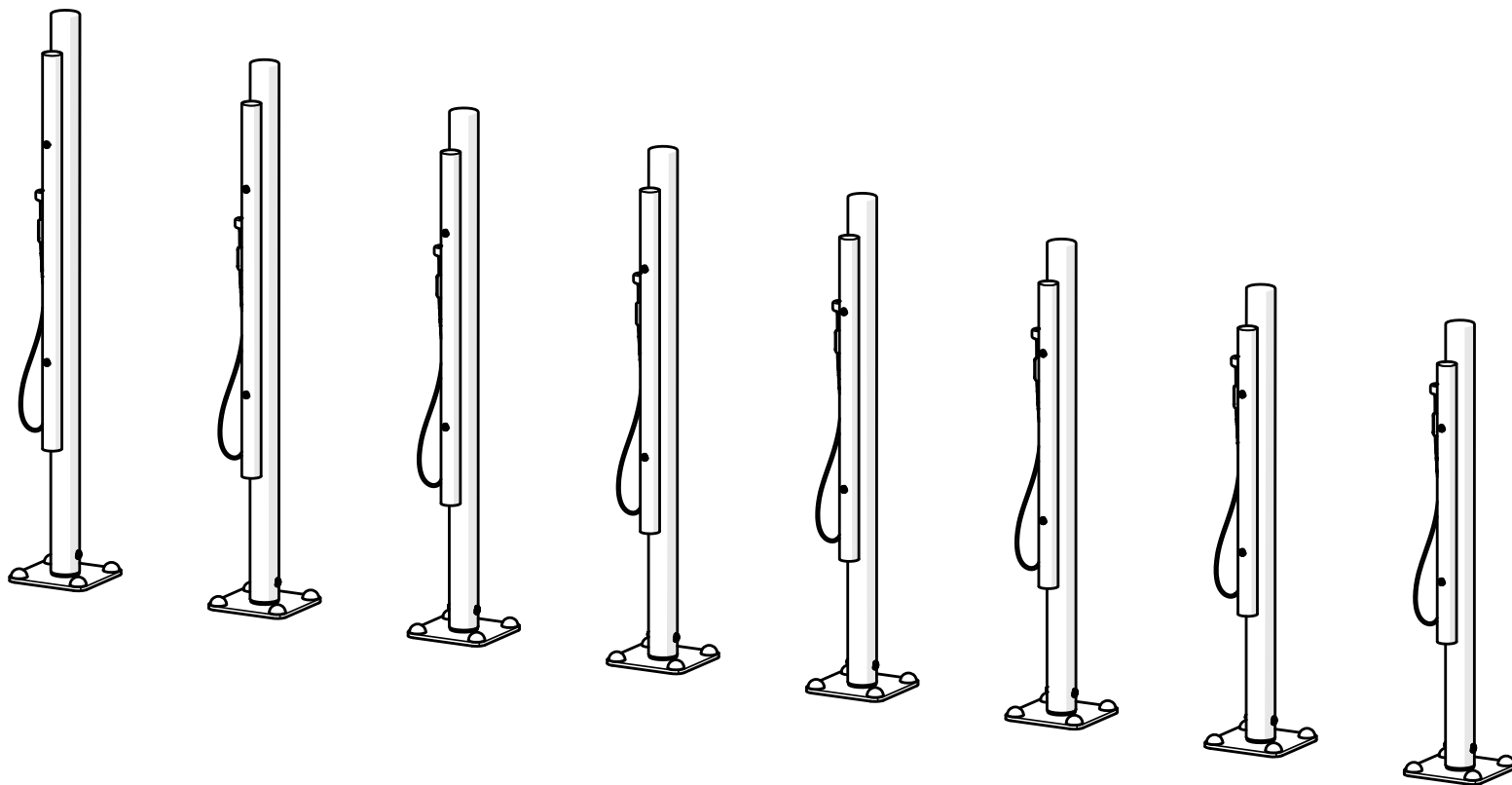


3. x8



10		x8
E		x16
F		x8





percussionplay.com



info@percussionplay.com



UK
[01730 235 180](tel:01730235180)

USA & CAN
[+1 \(866\) 882 9170](tel:+18668829170)

EUR & ROW
[+44 1730 235 180](tel:+441730235180)

Layout for illustration purposes only