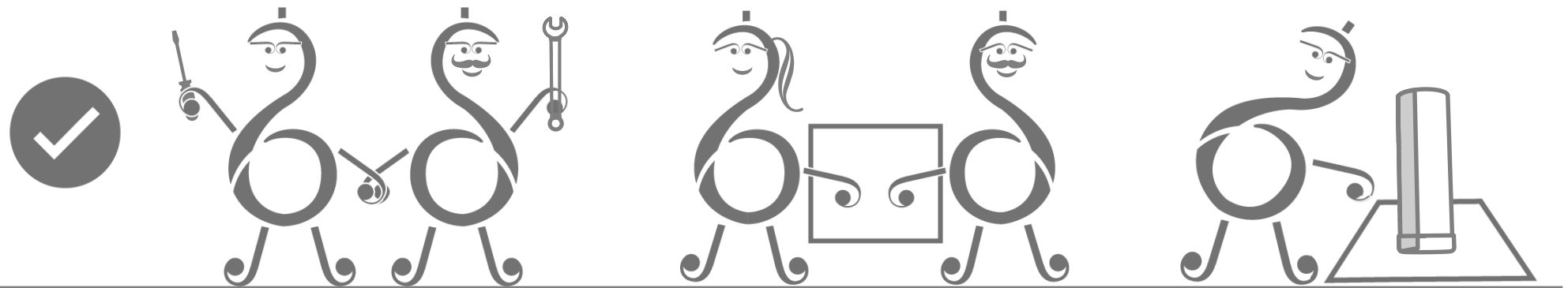
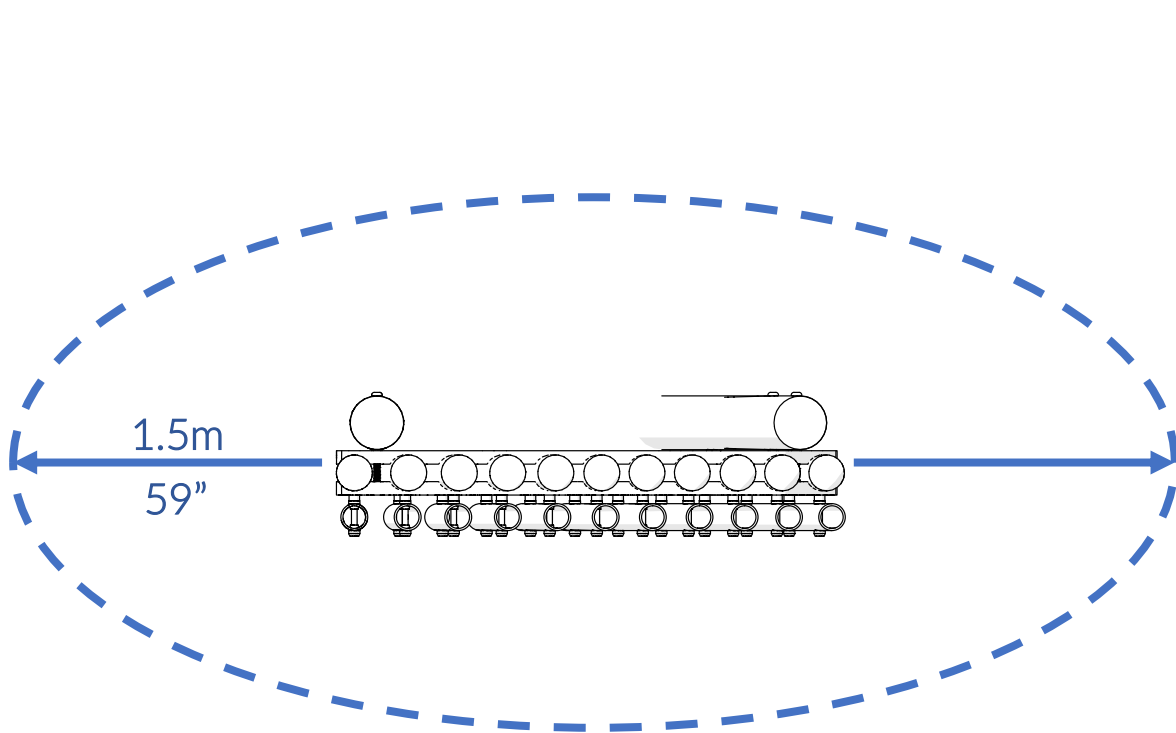


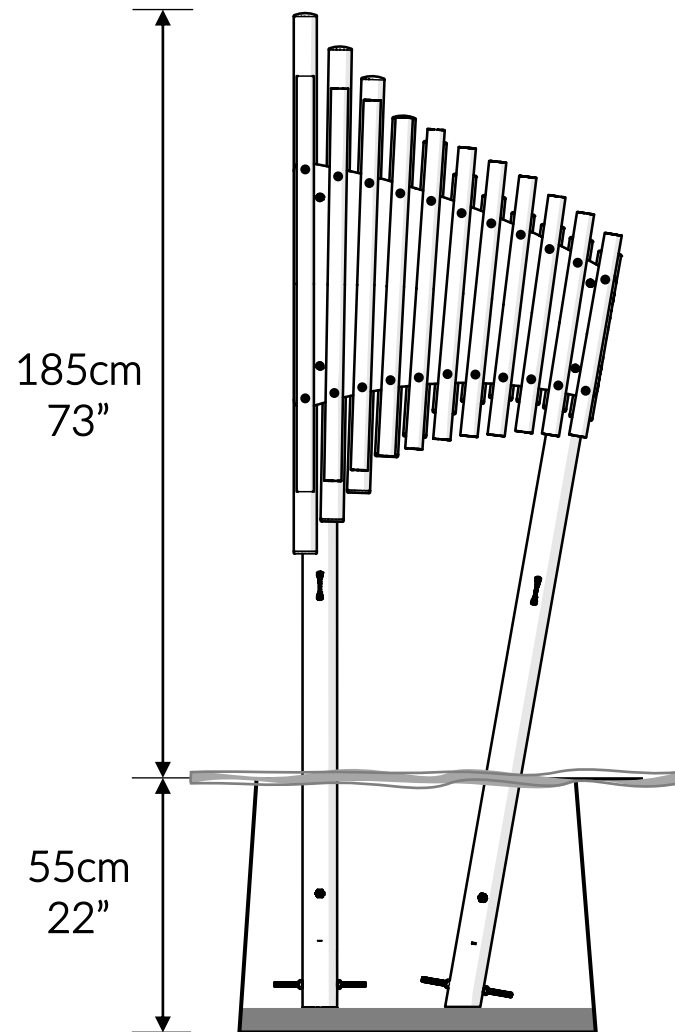
Part Reference	Description
PP-CHER-SD-GR	Cherub (Ground Fix)
PP-CHER-HD-GR	Heavy Duty Cherub (Ground Fix)



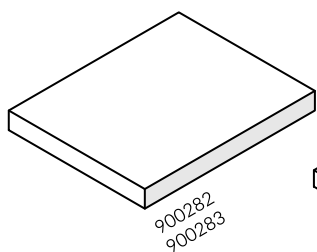




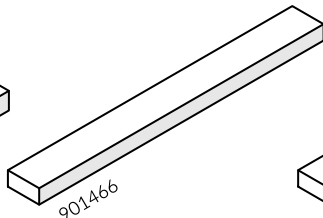
Check Risk Assessment



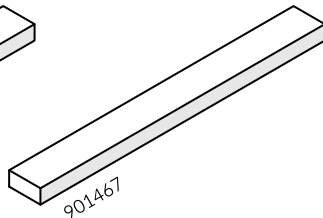
## Packages



x1



x1

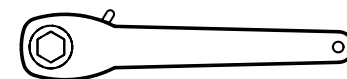


x1

		L	W	H	Weight	Net
x1	900282	100cm / 39"	80cm / 31"	10cm / 4"	30kg / 66lbs	
	900283				40kg / 88lbs	
x1	901466	200cm / 79"	22cm / 9"	10cm / 4"	6kg / 13lbs	
x1	901467	200cm / 79"	22cm / 9"	10cm / 4"	6kg / 13lbs	

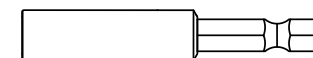
## Tools required (not supplied)

¼" Bit Driver Ratchet

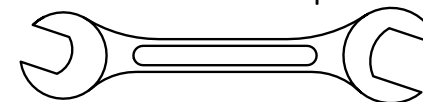


x2

¼" hex adapter

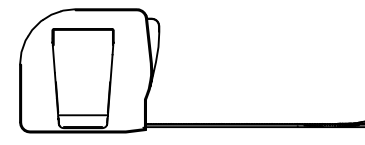


11/16" / 17mm Spanner

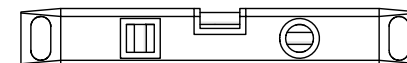


x2

Tape Measure

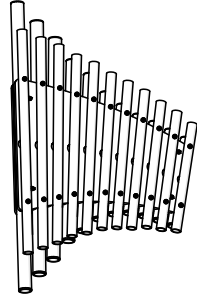


Spirit level



900282  
900283

① x1



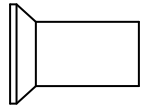
② x2

900837



Ⓐ x4

501586



Ⓑ x4

501591



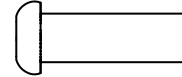
Ⓒ x4

500890



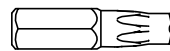
Ⓓ x4

501412



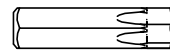
TX30 x1

500473



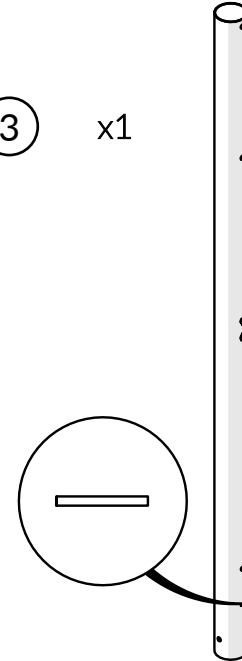
TX40 x1

500474



901466

③ x1

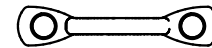


Ⓔ x4

500457

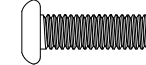
Ⓖ x1

603150



Ⓕ x2

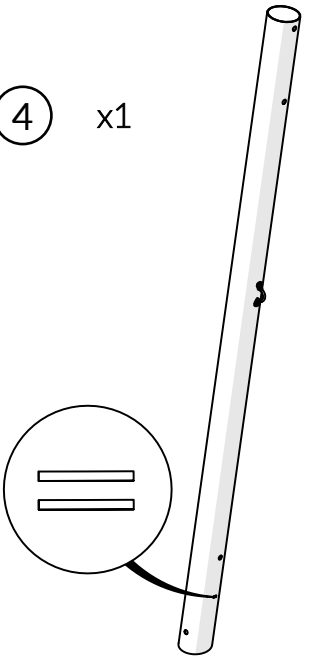

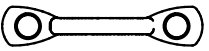

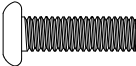
500746

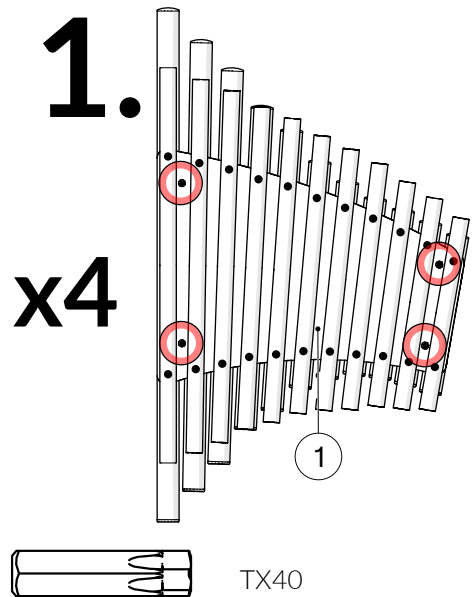


Ⓖ x2

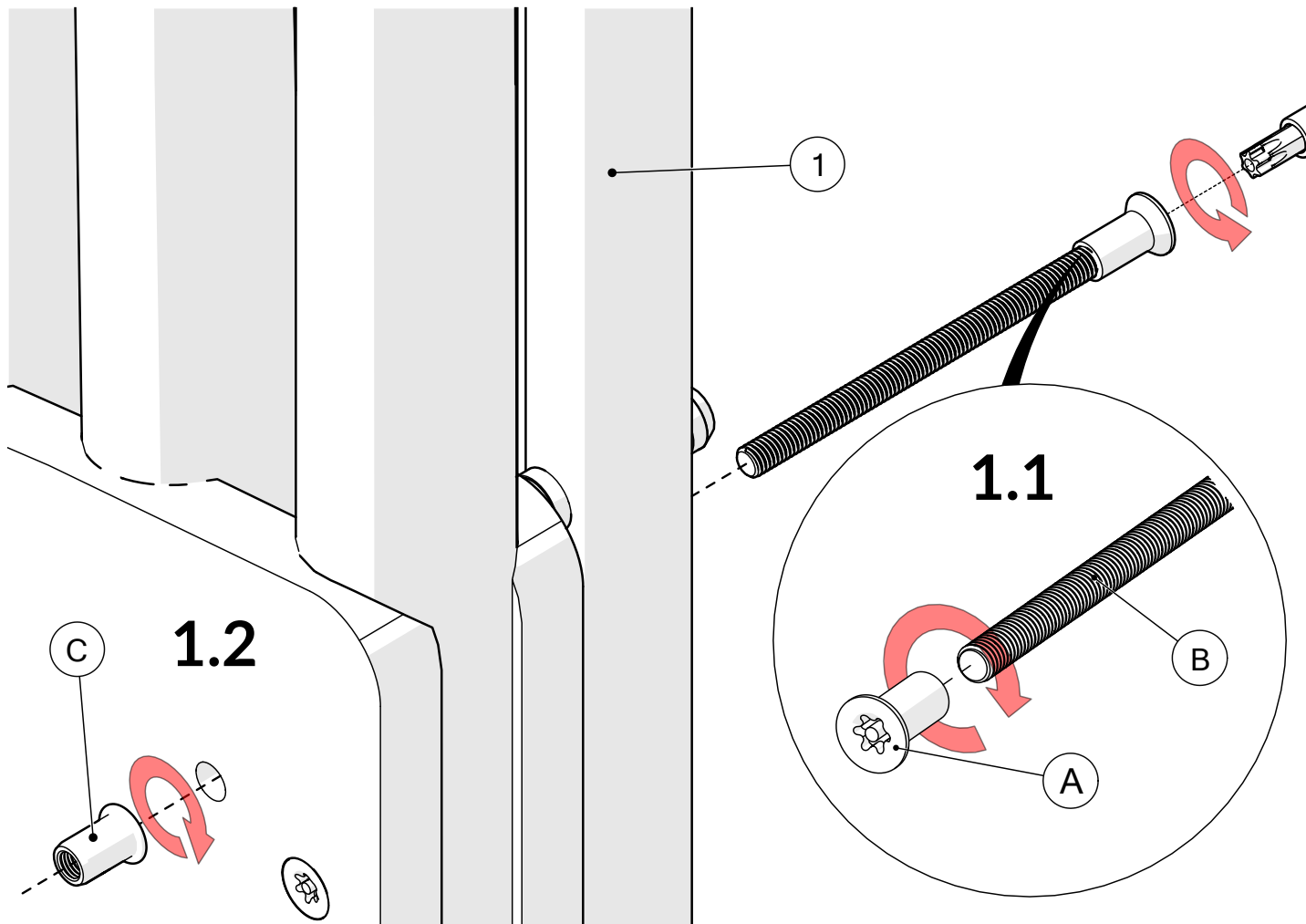
500627



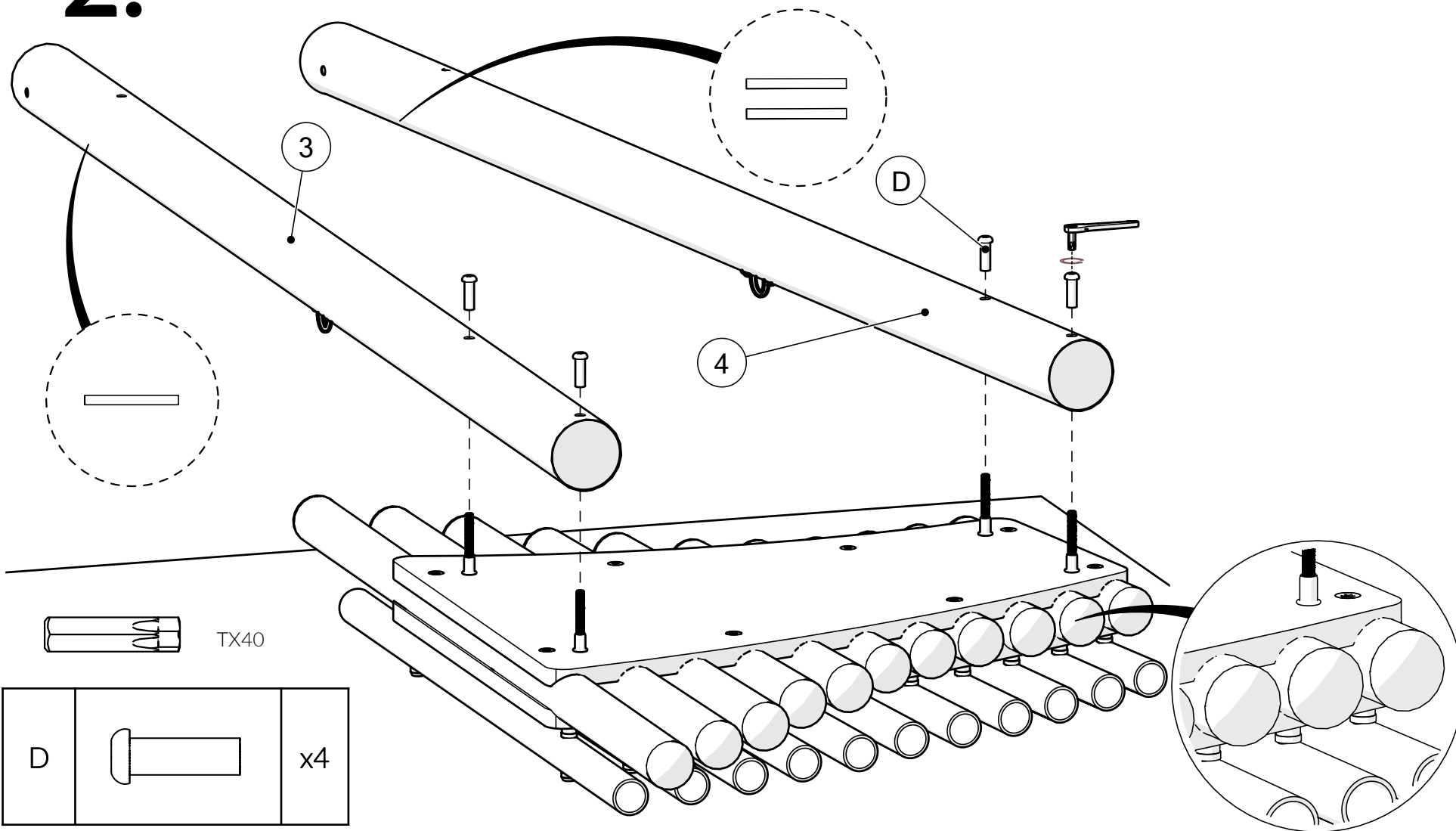
901467	
<p>(4) x1</p> 	 <p>(E) x4 500457</p>
<p>(G) x1 603150</p> 	
<p>(H) x2 500746</p> 	<p>(F) x2 500627</p>



A		x4
B		x4
C		x4



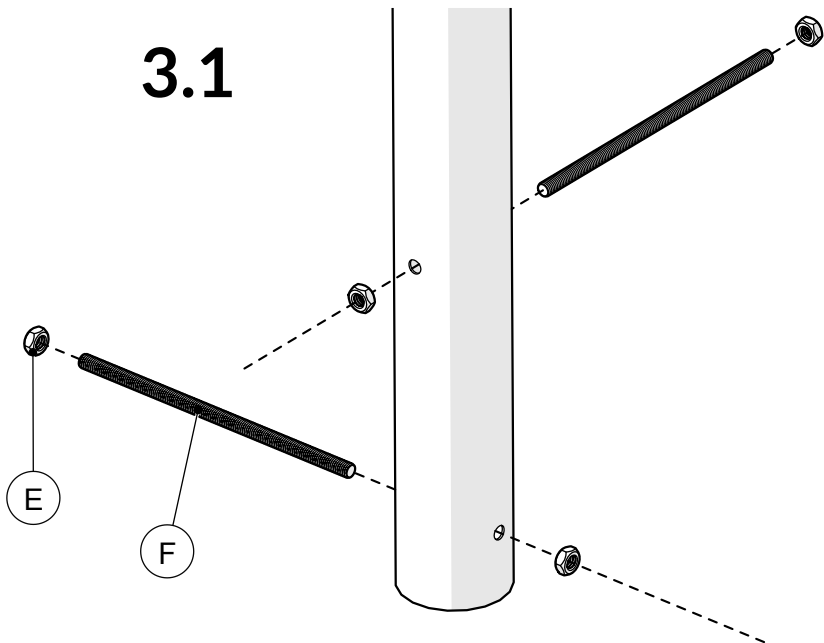
2.



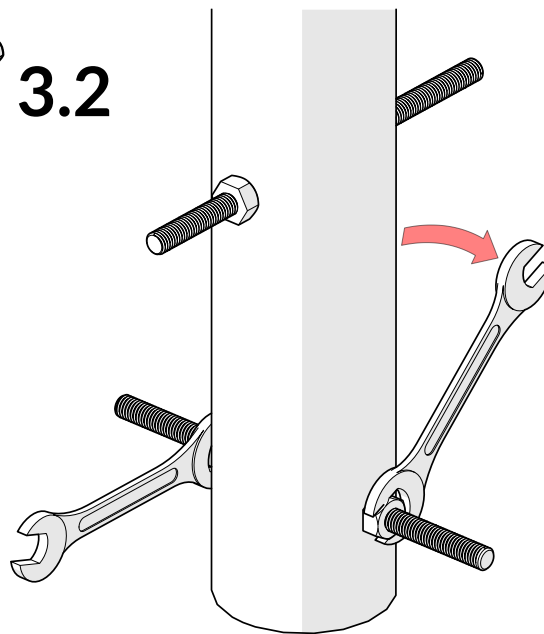


# 3. x2

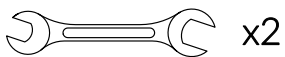
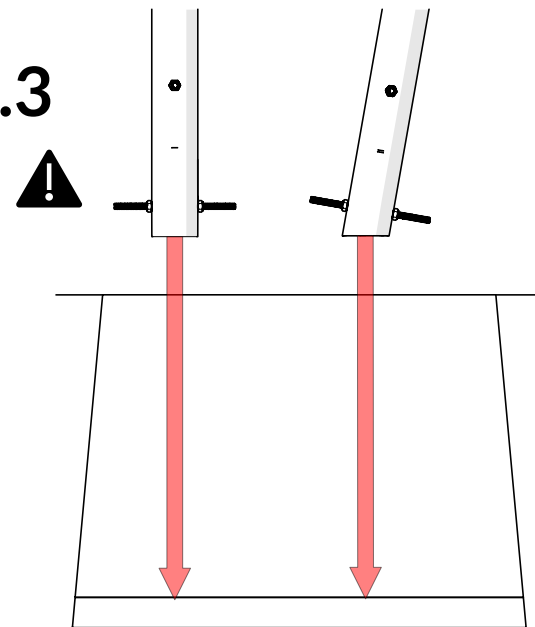
3.1




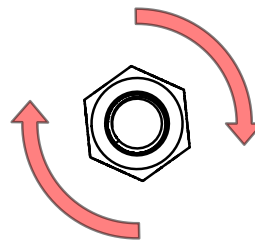
3.2



3.3



E		x8
F		x4

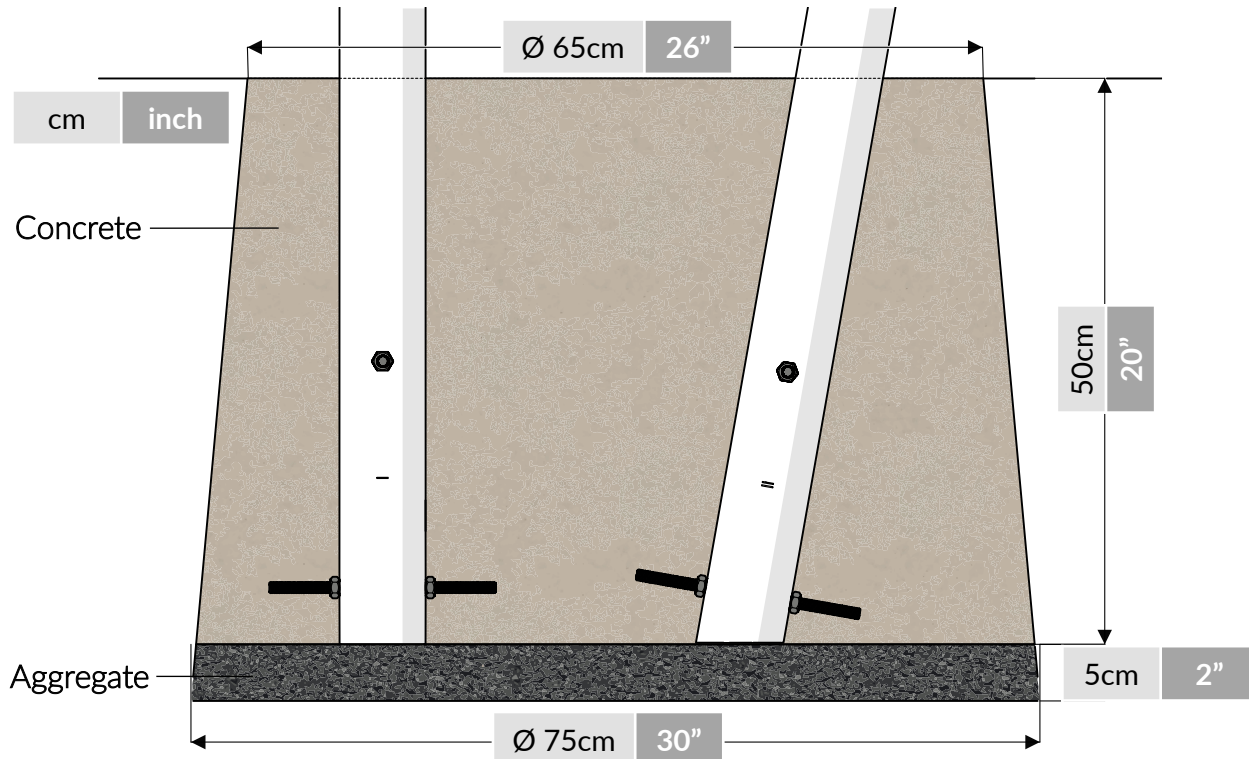
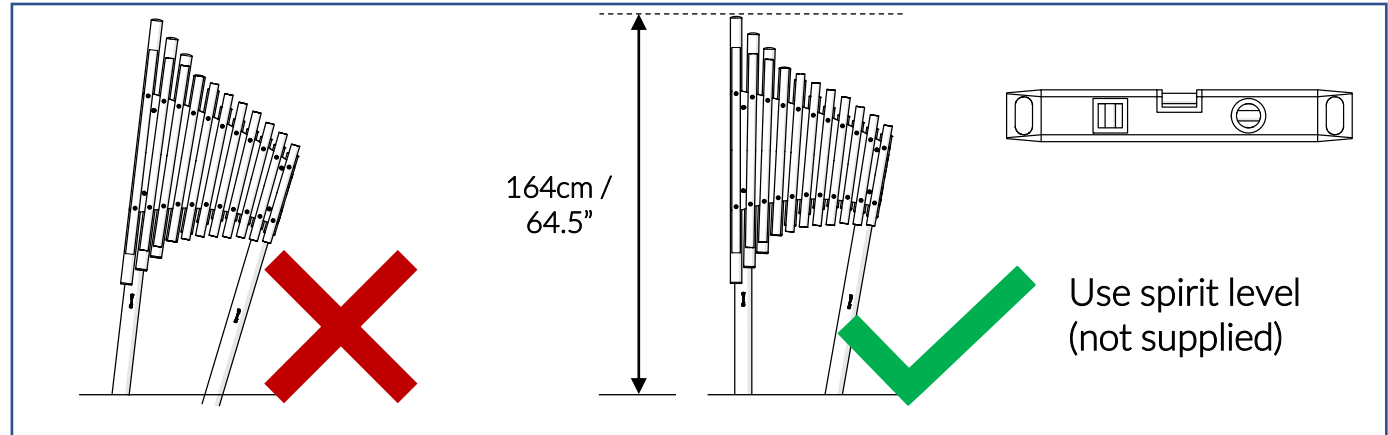


4.

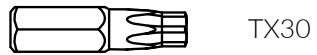


Foundations should not present a hazard

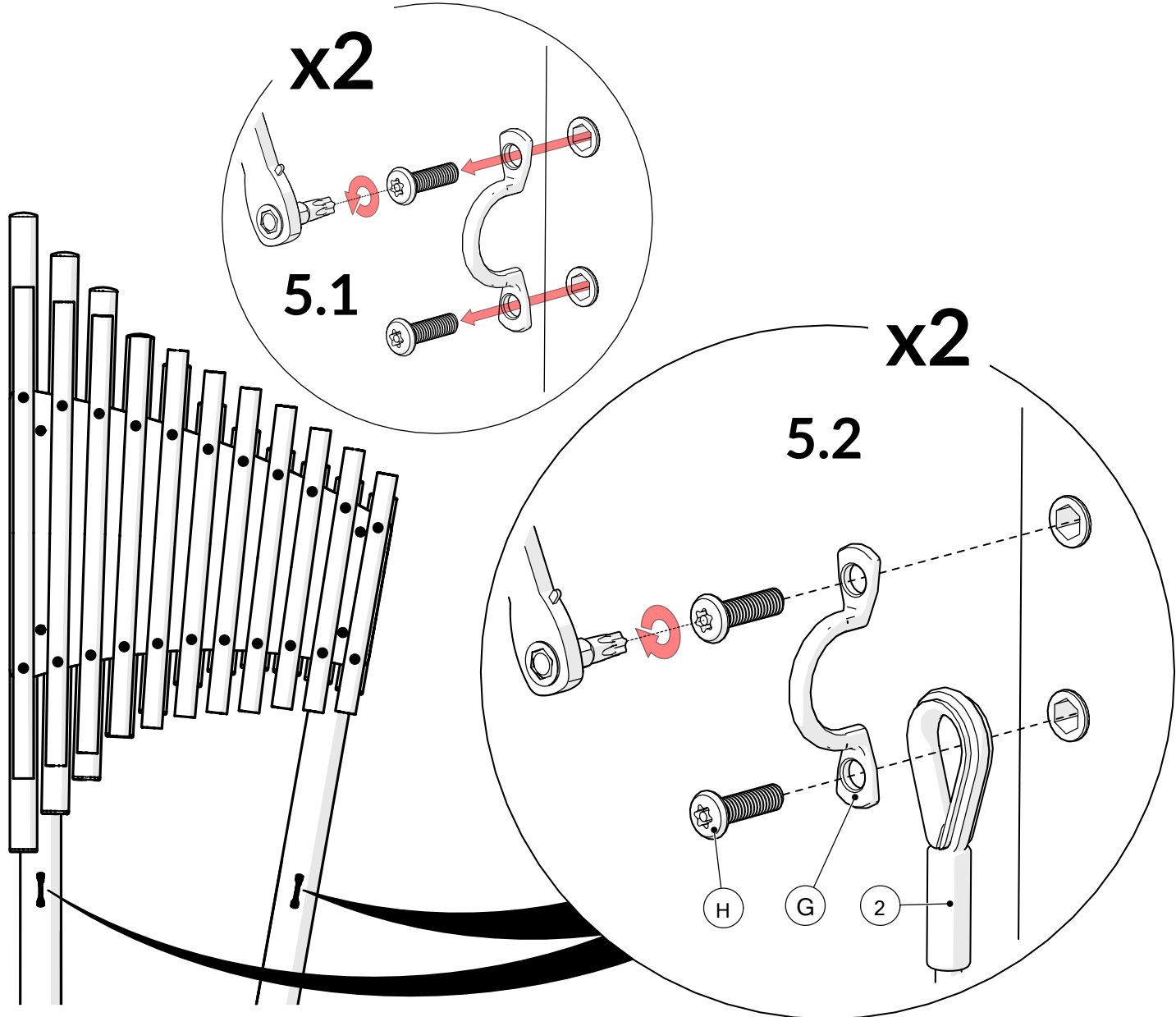
Refer to your local Health & Safety standards

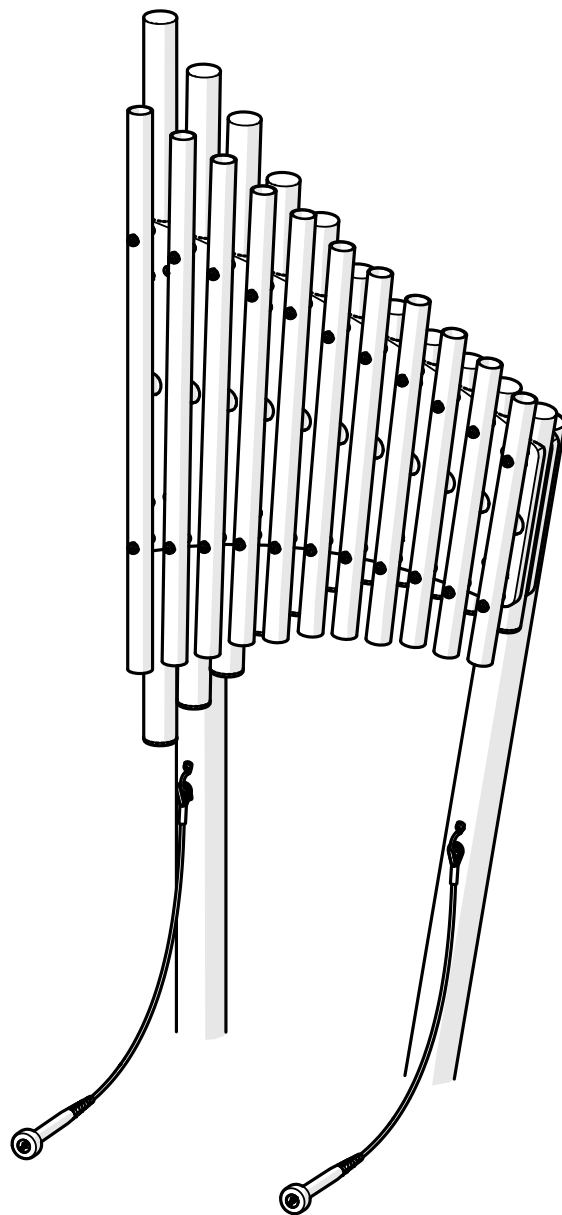


# 5.



2		x2
G		x2
H		x4





[percussionplay.com](http://percussionplay.com)



[info@percussionplay.com](mailto:info@percussionplay.com)



UK  
[01730 235 180](tel:01730235180)

USA & CAN  
[+1 \(866\) 882 9170](tel:+18668829170)

EUR & ROW  
[+44 1730 235 180](tel:+441730235180)