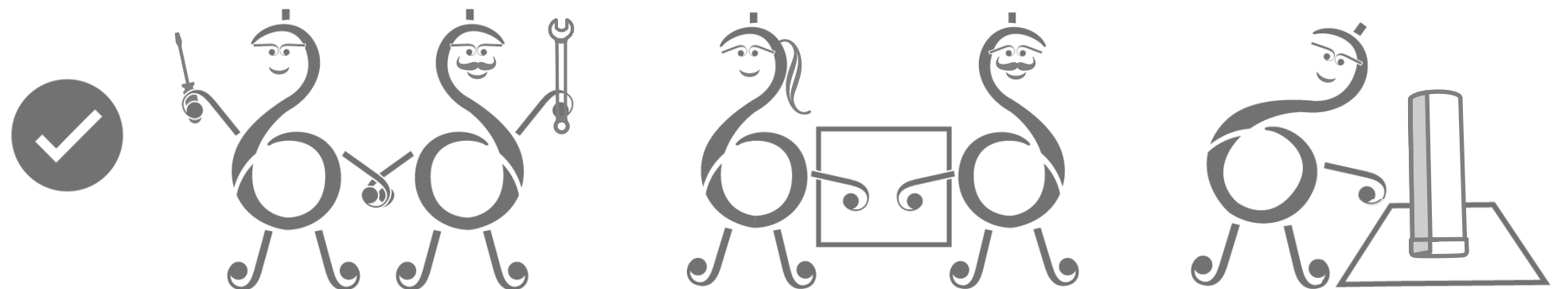
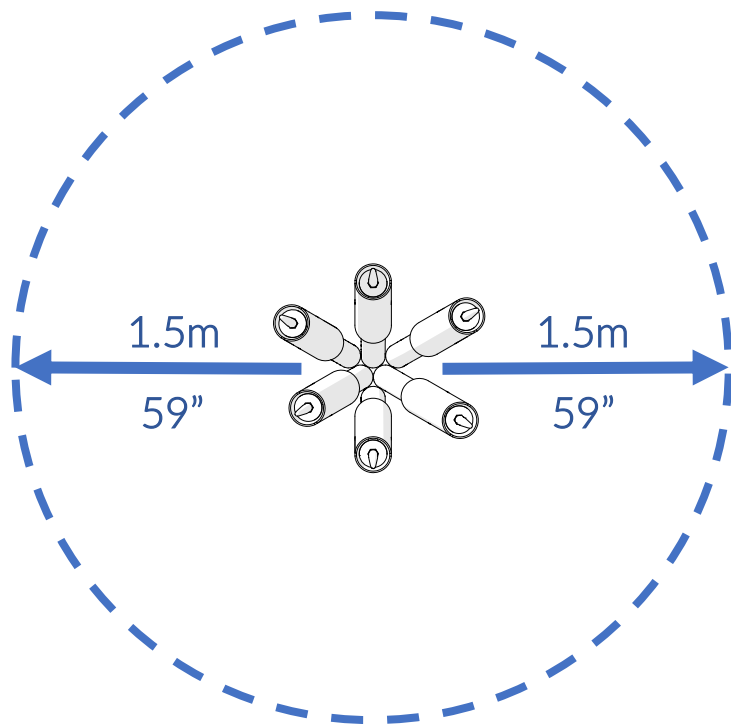


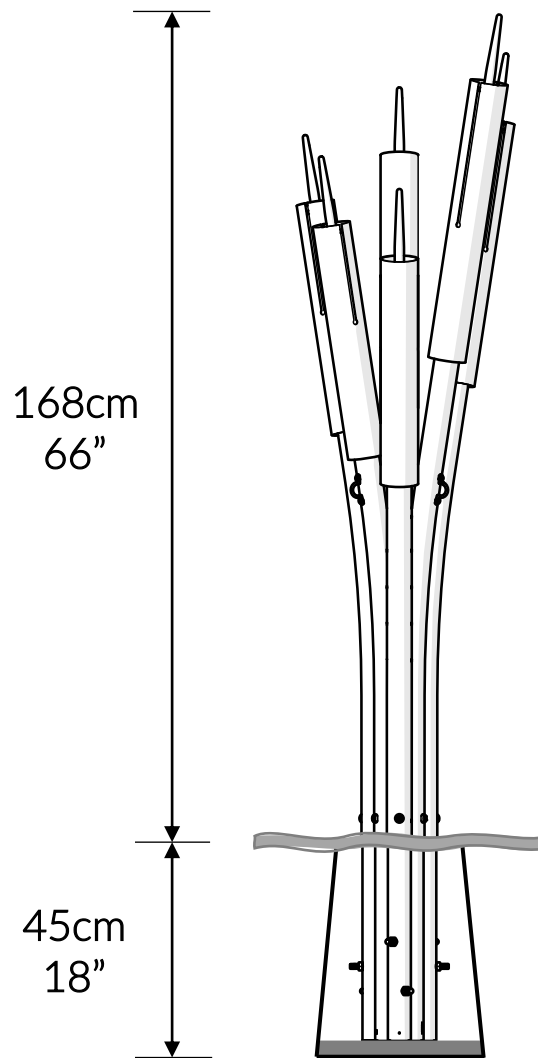
| Part Reference | Description                                 |
|----------------|---|
| PP-CATT-S6-GR  | Cattails A-Minor (Set of 6)<br>(Ground Fix) |



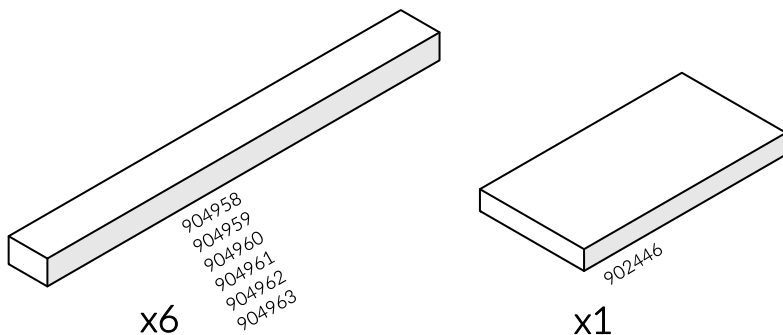




Check Risk Assessment



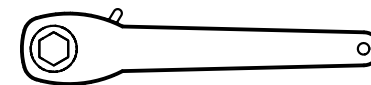
### Packages



|    |        | L           | W          | H         | Weight        | Net |
|----|--------|-------------|------------|-----------|---------------|-----|
| x1 | 904958 | 162cm / 64" | 10cm / 4"  | 16cm / 6" | 6kg / 13lbs   |     |
| x1 | 904959 |             |            |           |               |     |
| x1 | 904960 |             |            |           |               |     |
| x1 | 904961 |             |            |           |               |     |
| x1 | 904962 |             |            |           |               |     |
| x1 | 904963 |             |            |           |               |     |
| x1 | 902446 | 64cm / 25"  | 33cm / 13" | 6cm / 2"  | 7kg / 15.5lbs |     |

### Tools required (not supplied)

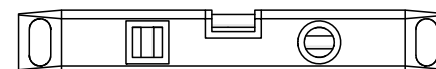
¼" Bit Driver Ratchet



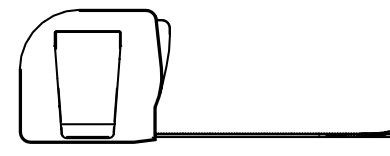
11/16" / 17mm Spanner



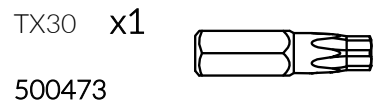
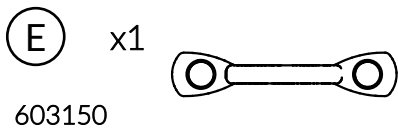
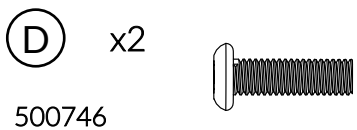
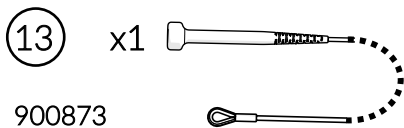
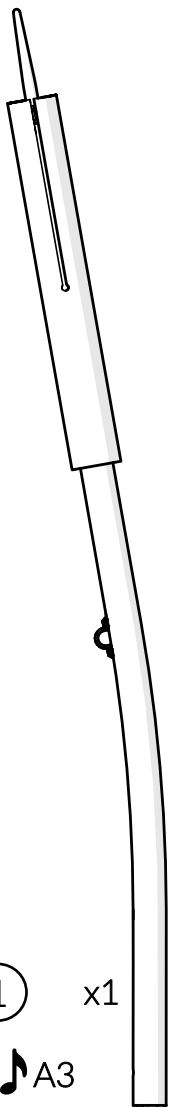
Spirit level



Tape Measure



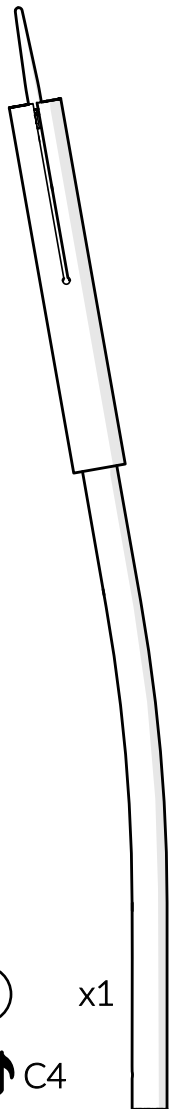
904958



① x1

A3

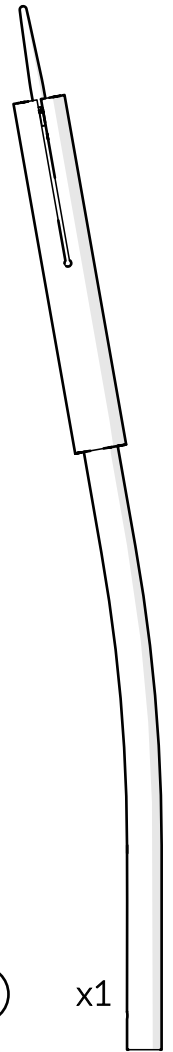
904959



② x1

C4

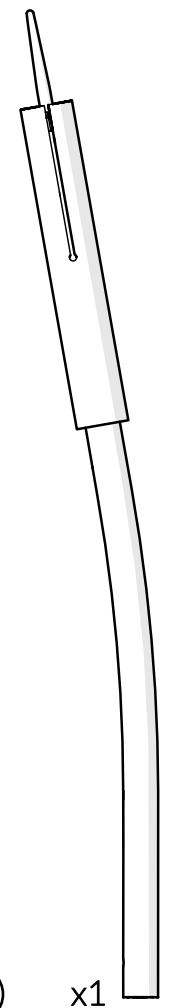
904960



③ x1

D4

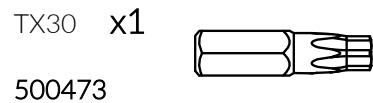
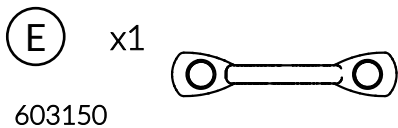
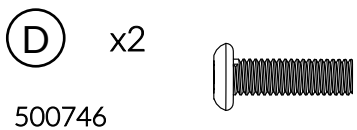
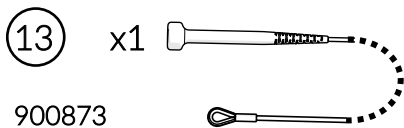
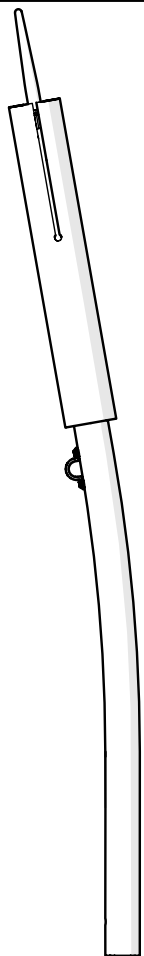
904961



④ x1

E4

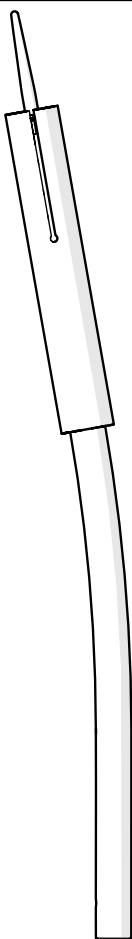
904962



(5) x1



904963

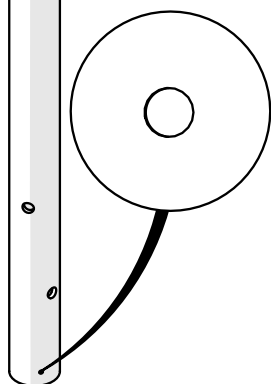


(6) x1

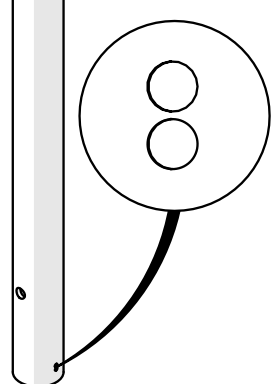


902446

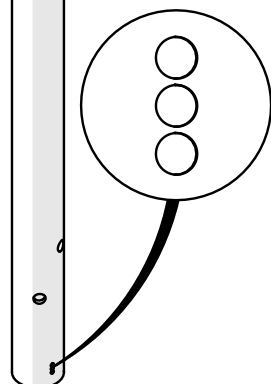
⑦ x1  
604944



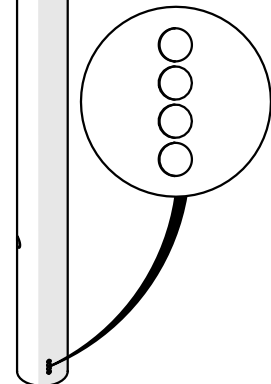
⑧ x1  
604945



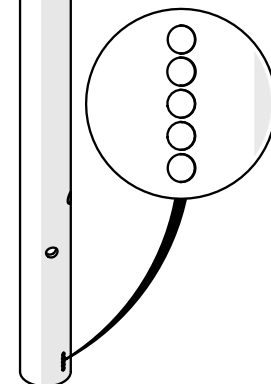
⑨ x2  
604946



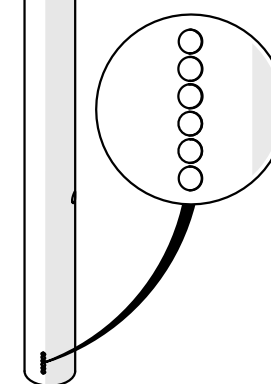
⑩ x1  
604947



⑪ x1  
604948




⑫ x2  
604949



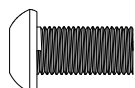
Ⓐ x3  
500627



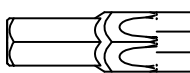
Ⓑ x6  
500457



Ⓒ x6  
501203

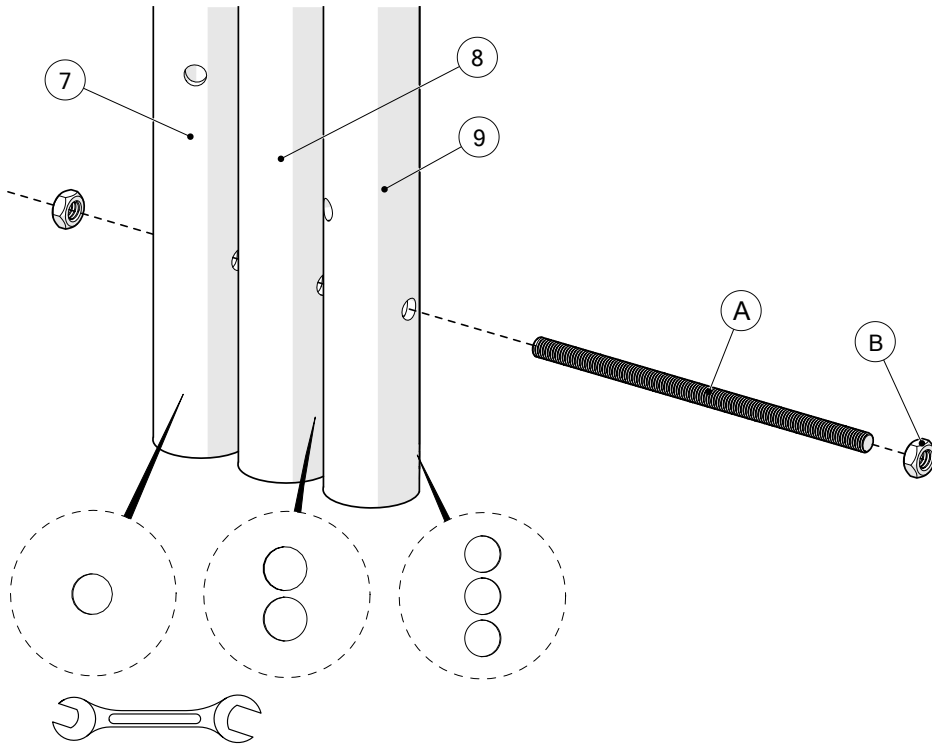


TX45 x1  
500720

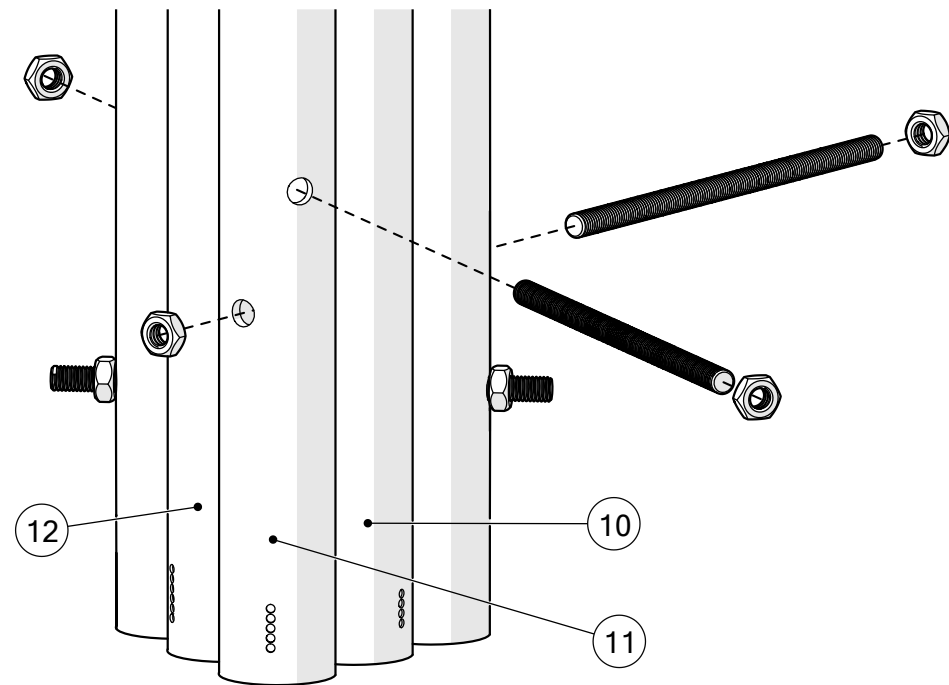




# 1.

## 1.1



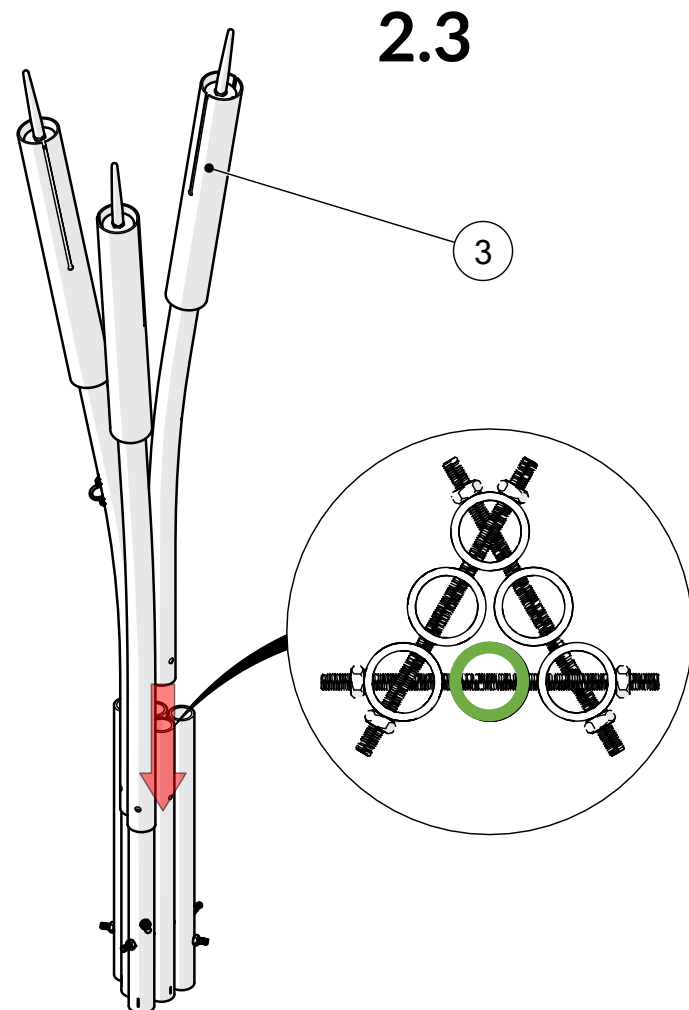
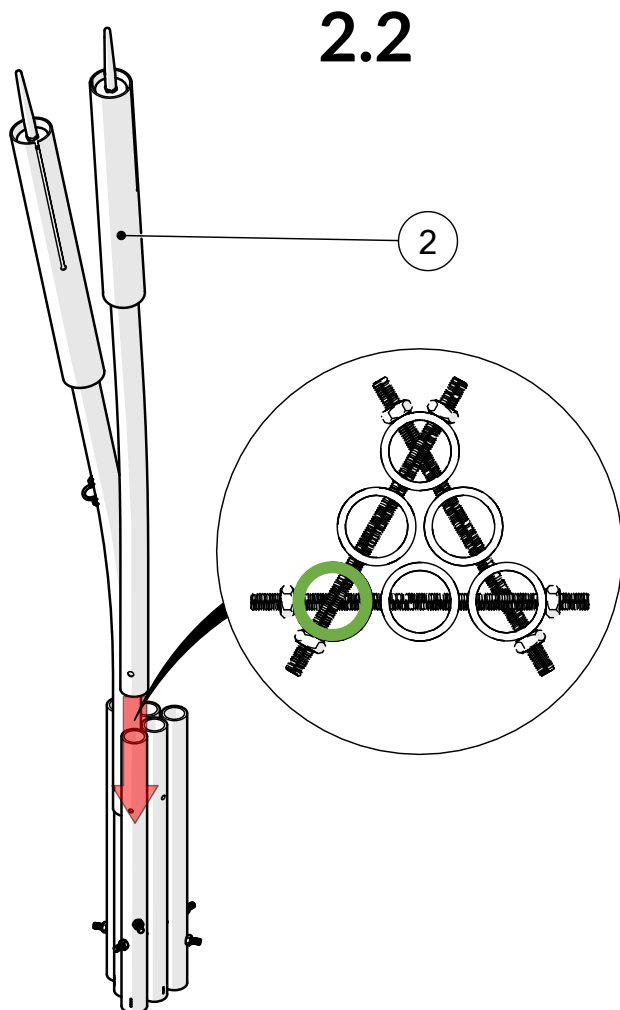
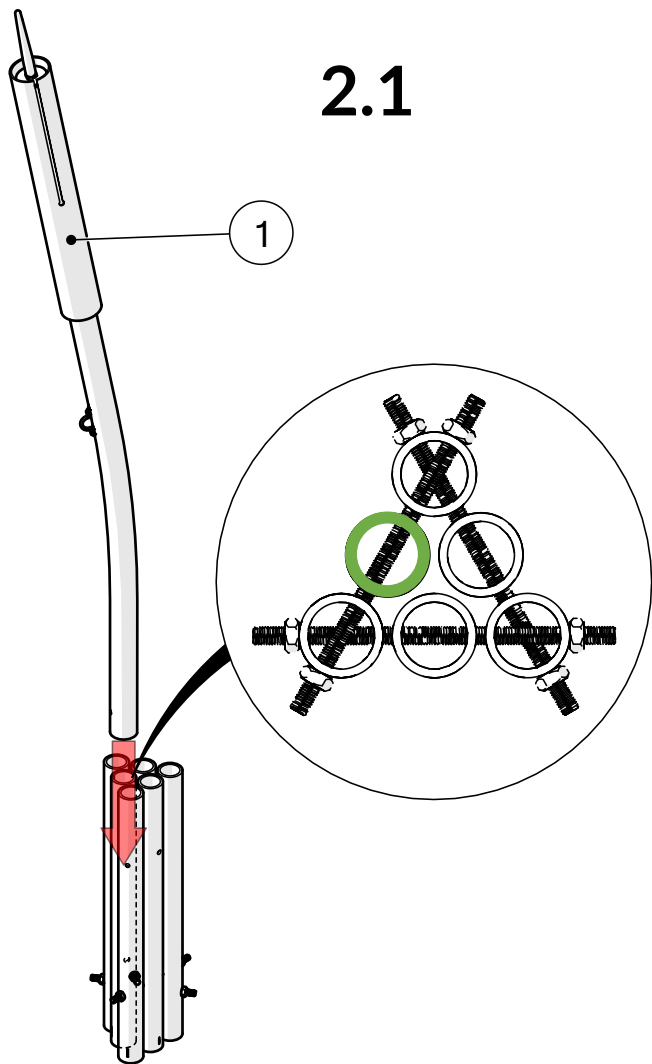
## 1.2



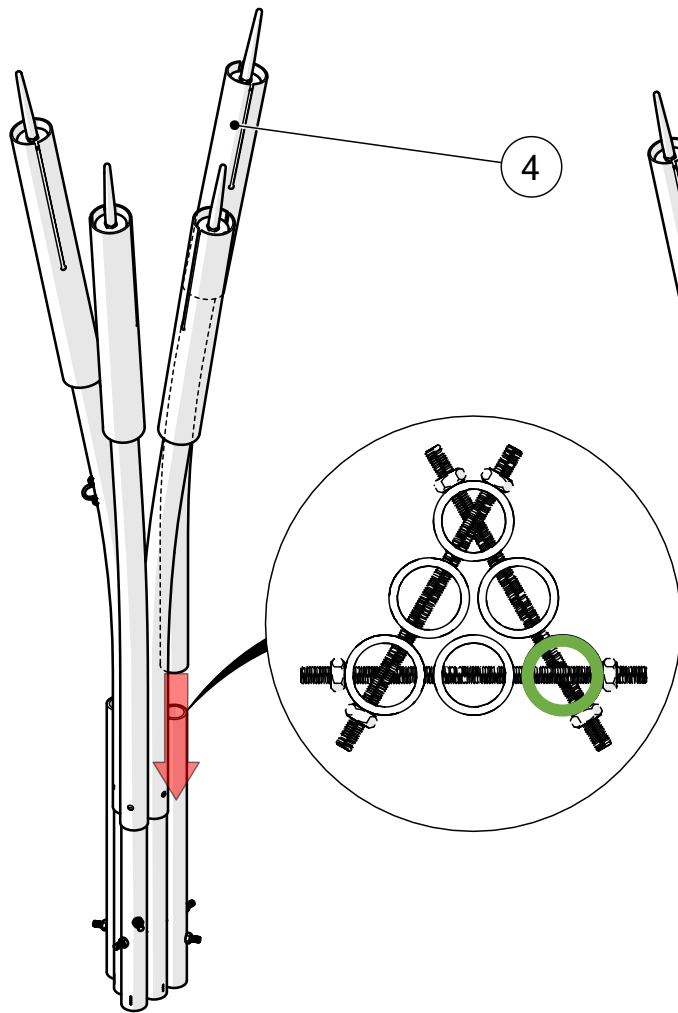
|   |   |    |
|---|---|----|
| A |  | x3 |
| B |  | x6 |



# 2.

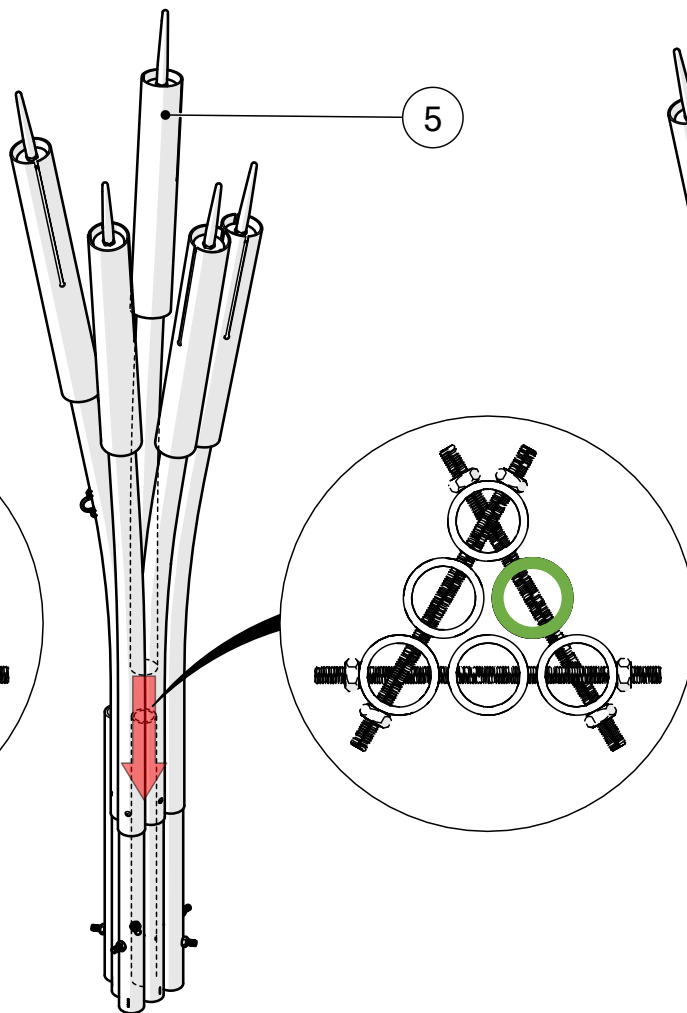


2.4



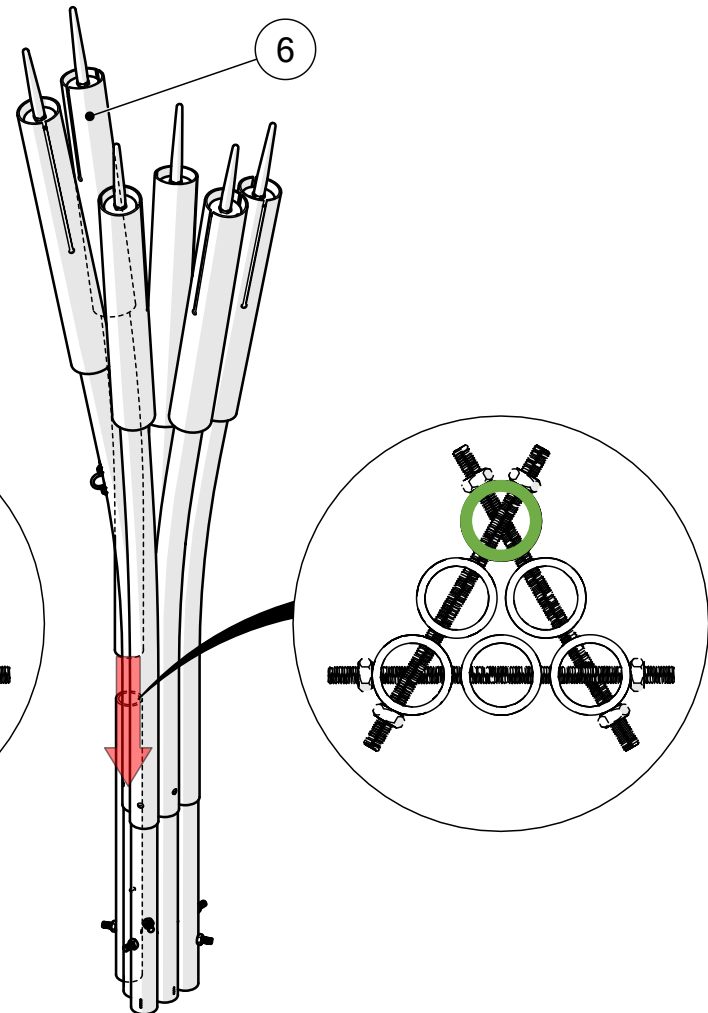
4

2.5



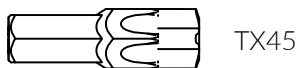
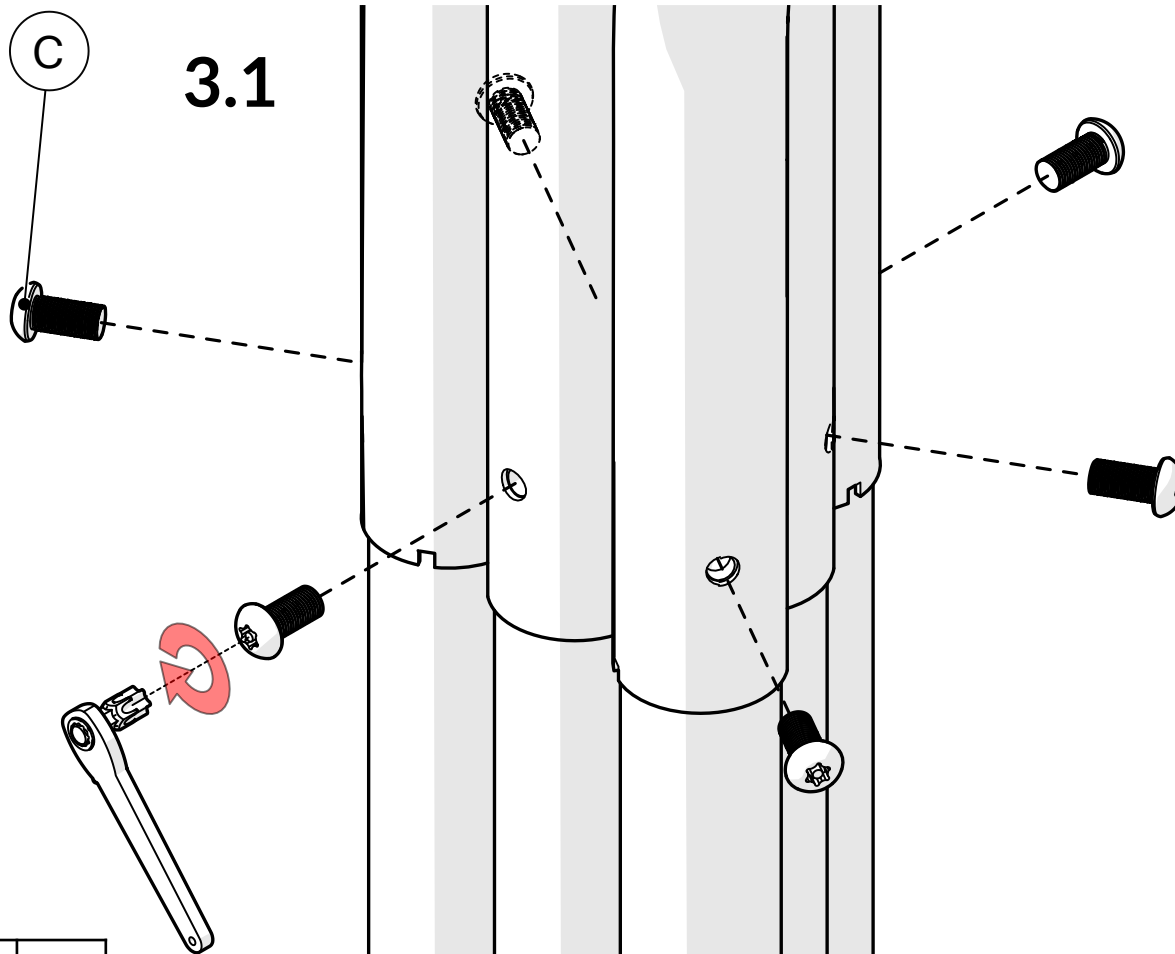
5

2.6

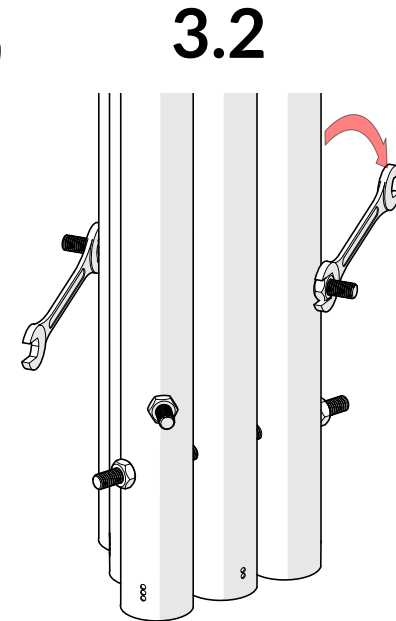


6

# 3.



|   |  |    |
|---|--|----|
| C |  | x6 |
|---|--|----|

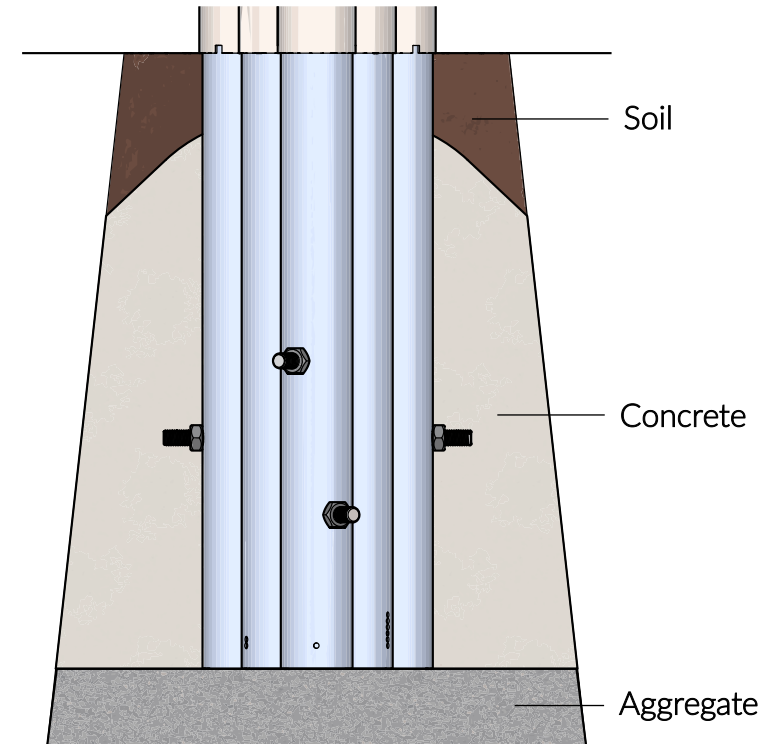
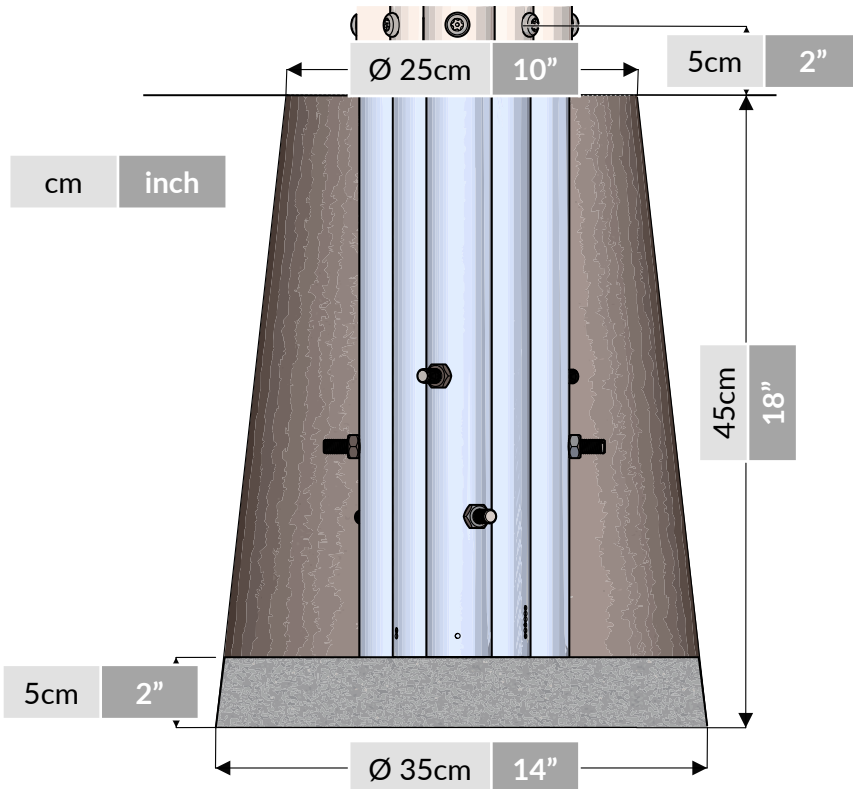
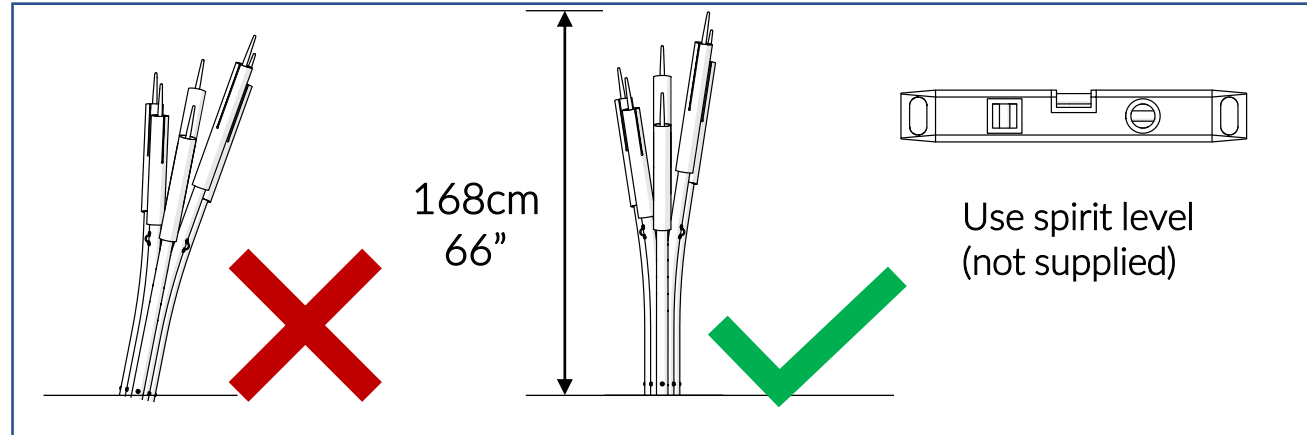


4.



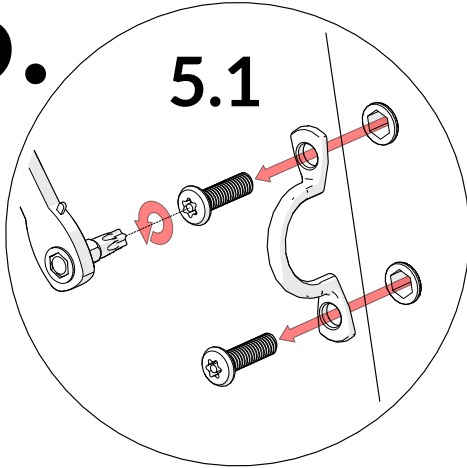
Foundations should not present a hazard

Refer to your local Health & Safety standards

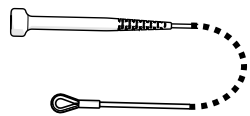

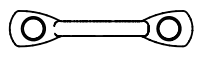


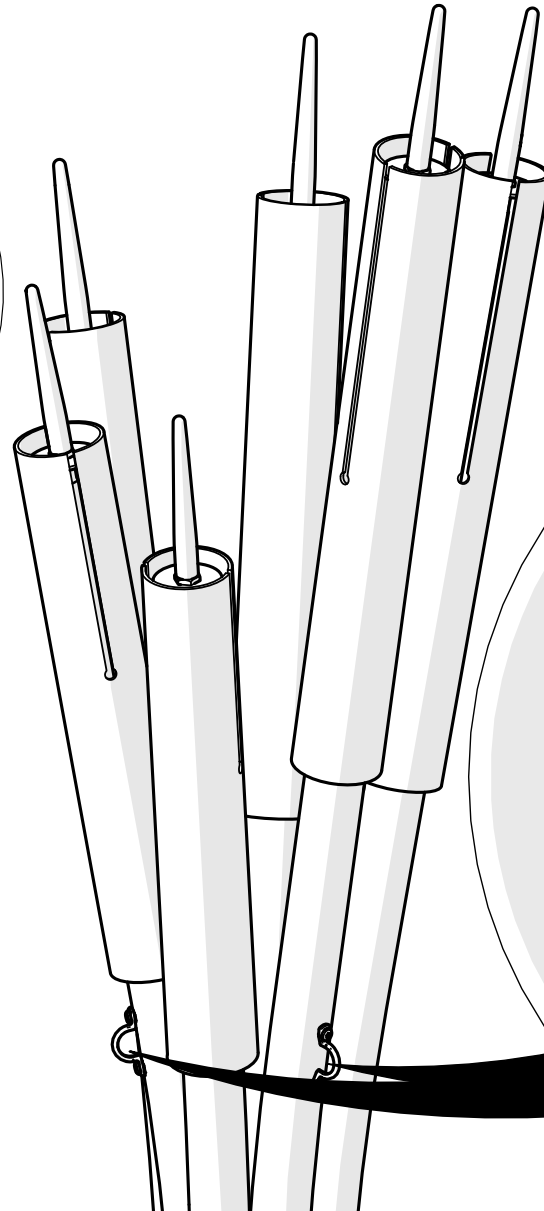
5.

5.1



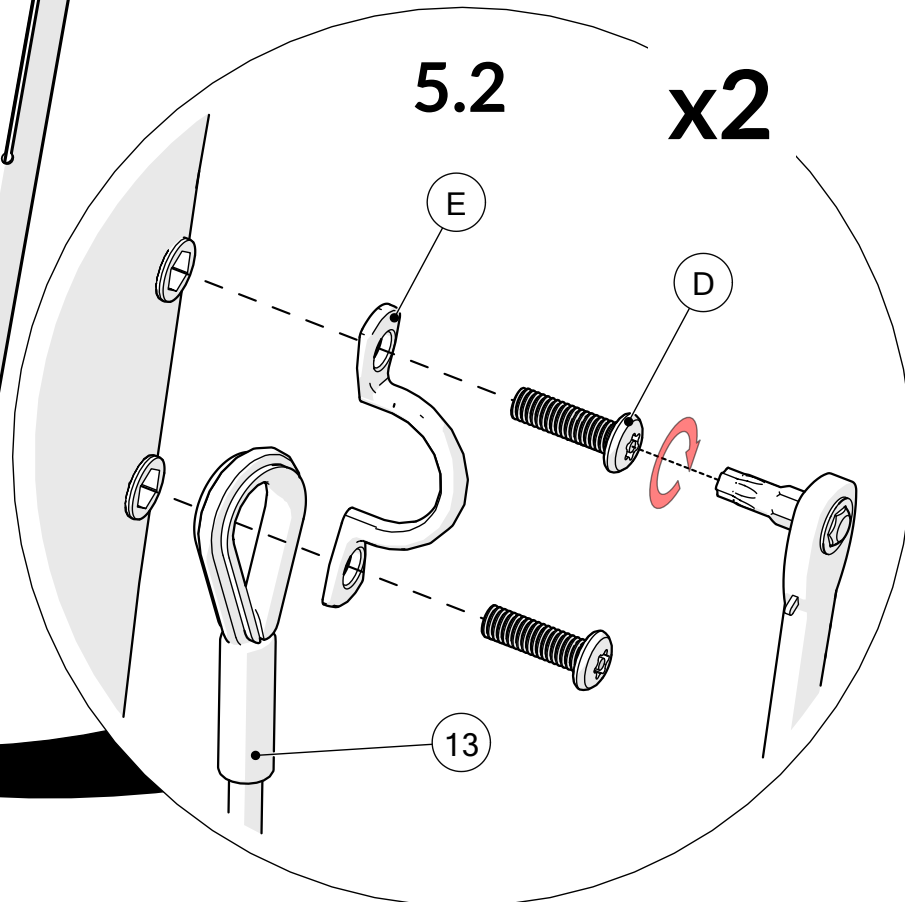
TX30

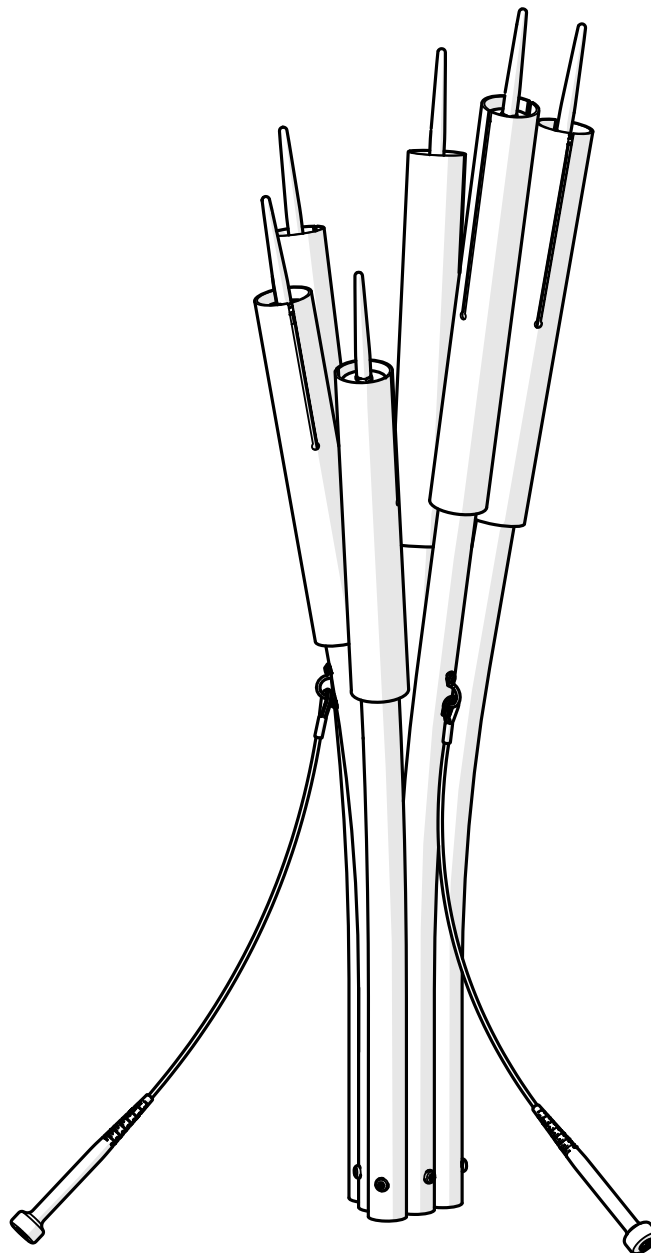
|    |   |    |
|----|---|----|
| 13 |    | x2 |
| D  |  | x4 |
| E  |  | x2 |



5.2

x2





[percussionplay.com](http://percussionplay.com)



[info@percussionplay.com](mailto:info@percussionplay.com)



UK  
[01730 235 180](tel:01730235180)

USA & CAN  
[+1 \(866\) 882 9170](tel:+18668829170)

EUR & ROW  
[+44 1730 235 180](tel:+441730235180)