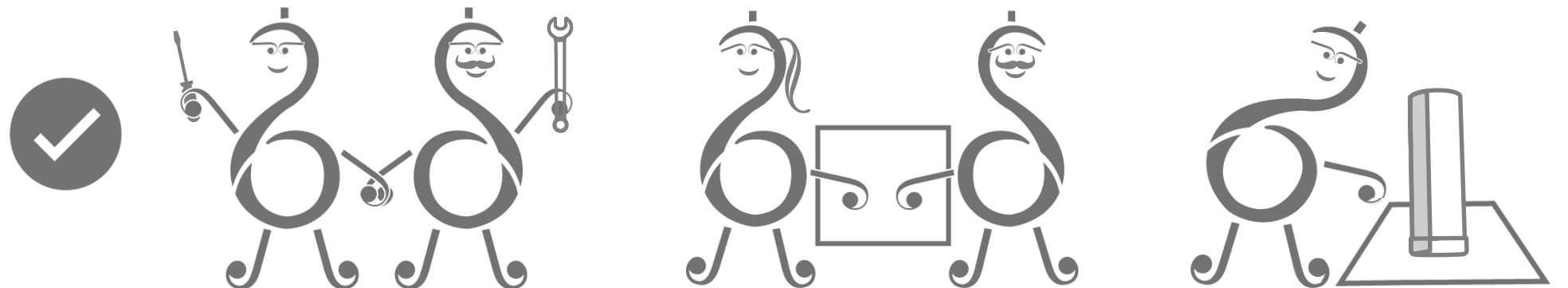
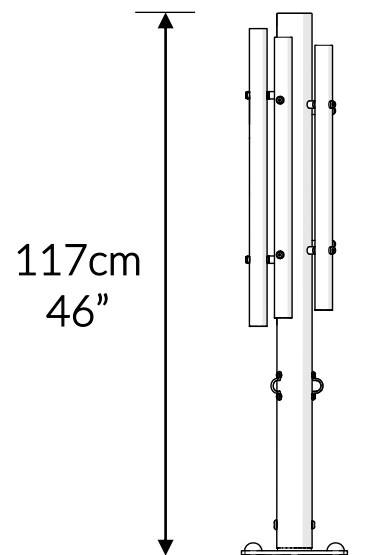
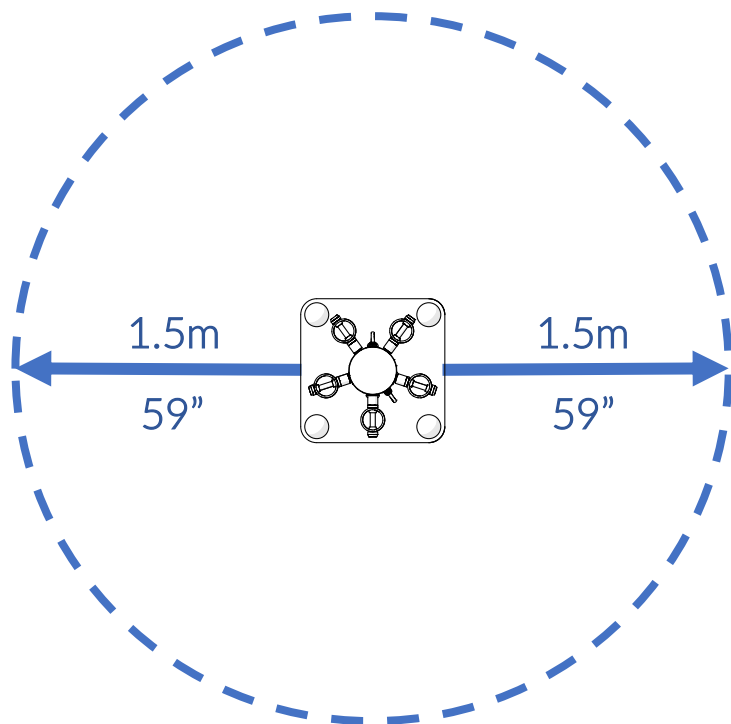


Part Reference	Description
PP-PENT-SU	Penta Post (Each) (Surface Fix)

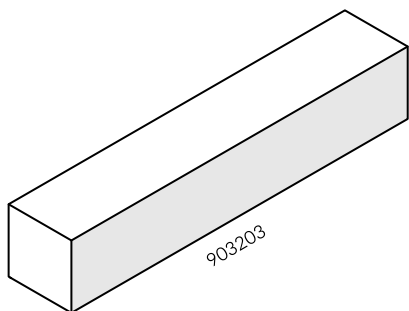




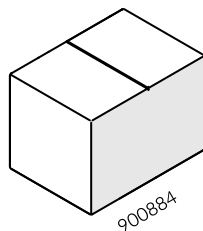


Check Risk Assessment

Packages



x1

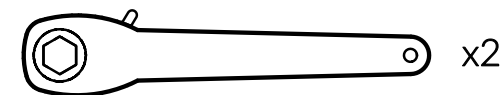


x1

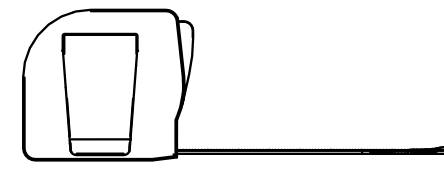
		L	W	H	Weight	Net
x1	903203	150cm / 59"	28cm / 11"	28cm / 11"	11kg / 24lbs	
x1	900884	32cm / 12.5"	23cm / 9"	23cm / 9"	6kg / 13lbs	

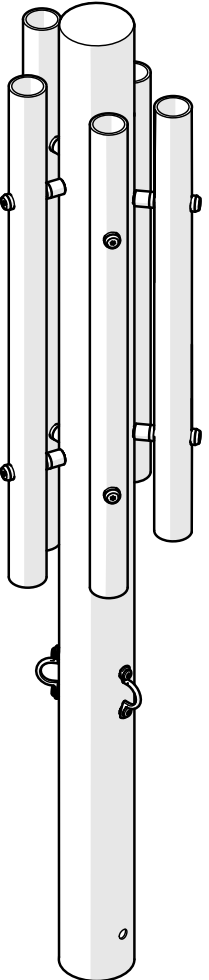
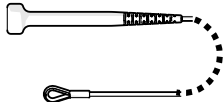
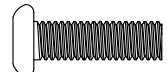
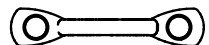

Tools required (not supplied)

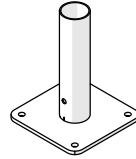

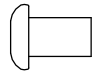
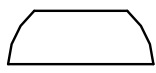

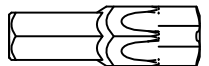
¼" Bit Driver Ratchet



Tape Measure



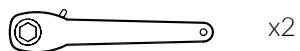
903203	
<p>① x1</p> 	<p>② x2 900837</p> 
	<p>⑤ x4 500746</p> 
	<p>⑥ x2 603150</p> 
	<p>x1 TX30 500473</p> 

900884	
<p>③ x1 800878</p> 	
<p>Ⓐ x1 500667</p> 	
<p>Ⓑ x1 500613</p> 	
<p>Ⓒ x4 601543</p> 	
<p>Ⓓ x4 601542</p> 	
<p>TX45 x2 500720</p> 	

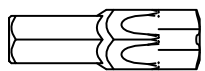
Not to scale

1.


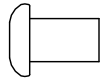
1.1

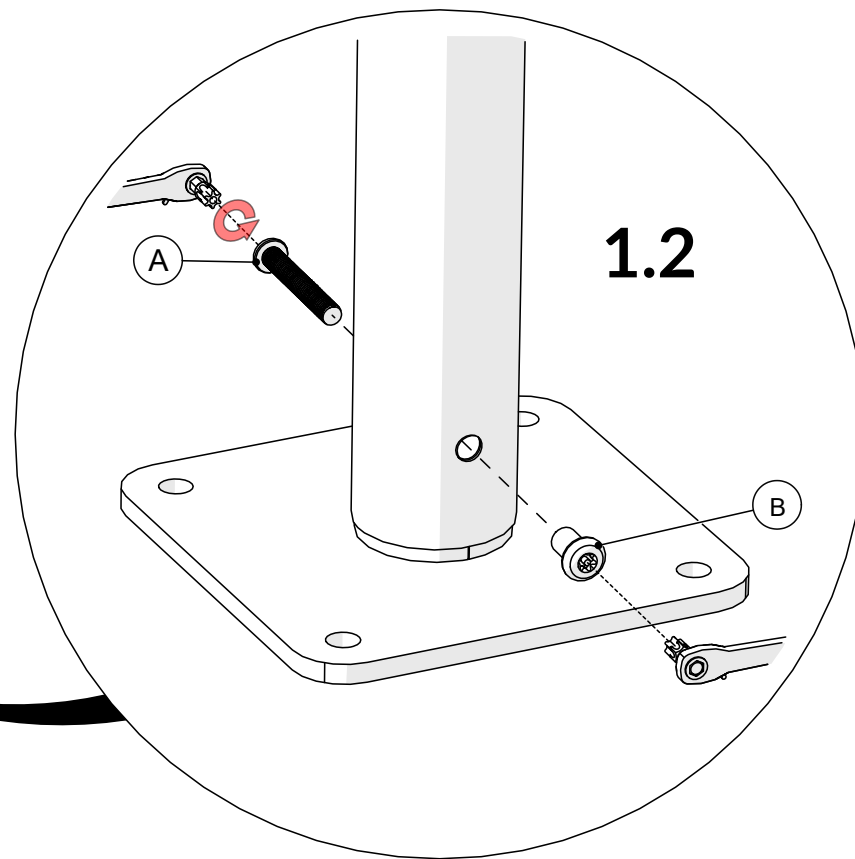
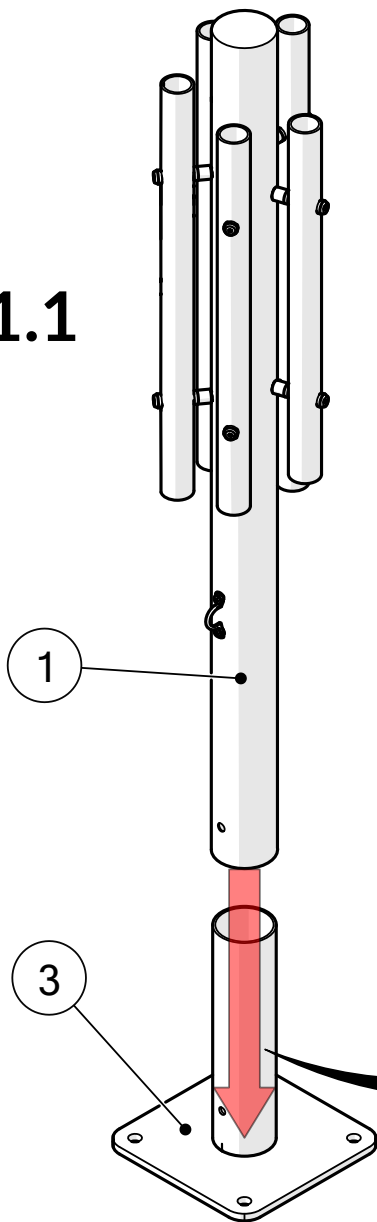


x2



x2 TX45

A		x1
B		x1



2.

Surface fixing should not present a hazard



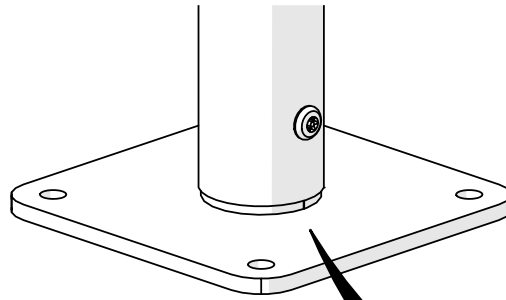
Refer to your local Health & Safety standards

C		x4
D		x4

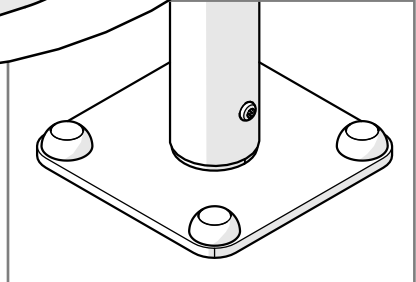
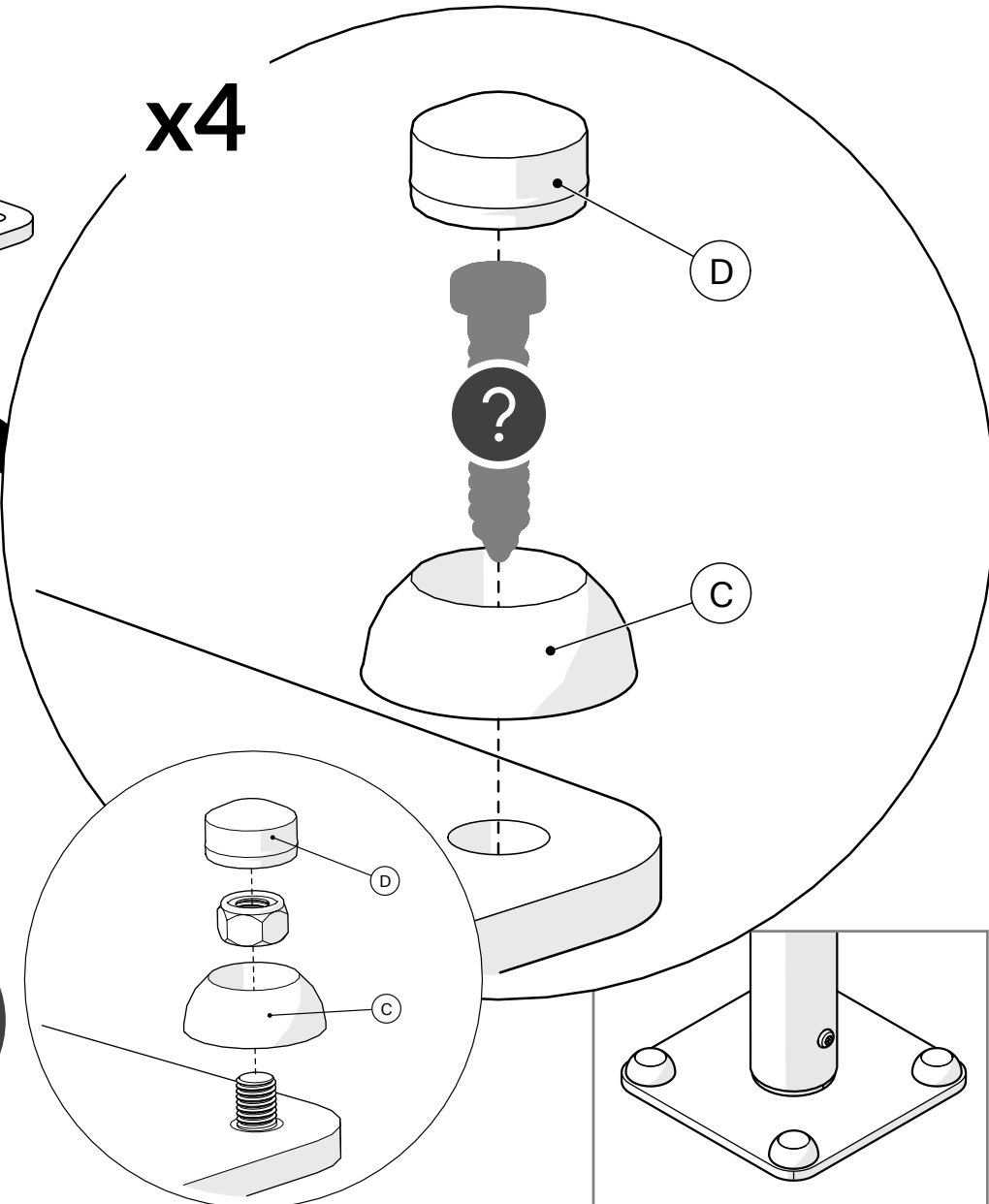
Surface

Example fixing

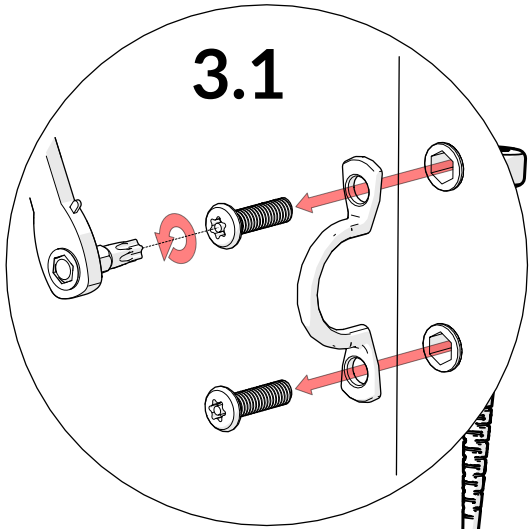
	Wood		x4
	Concrete		x4
	Brick		x4



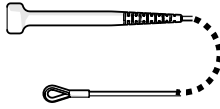
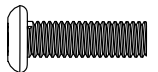
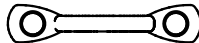
x4

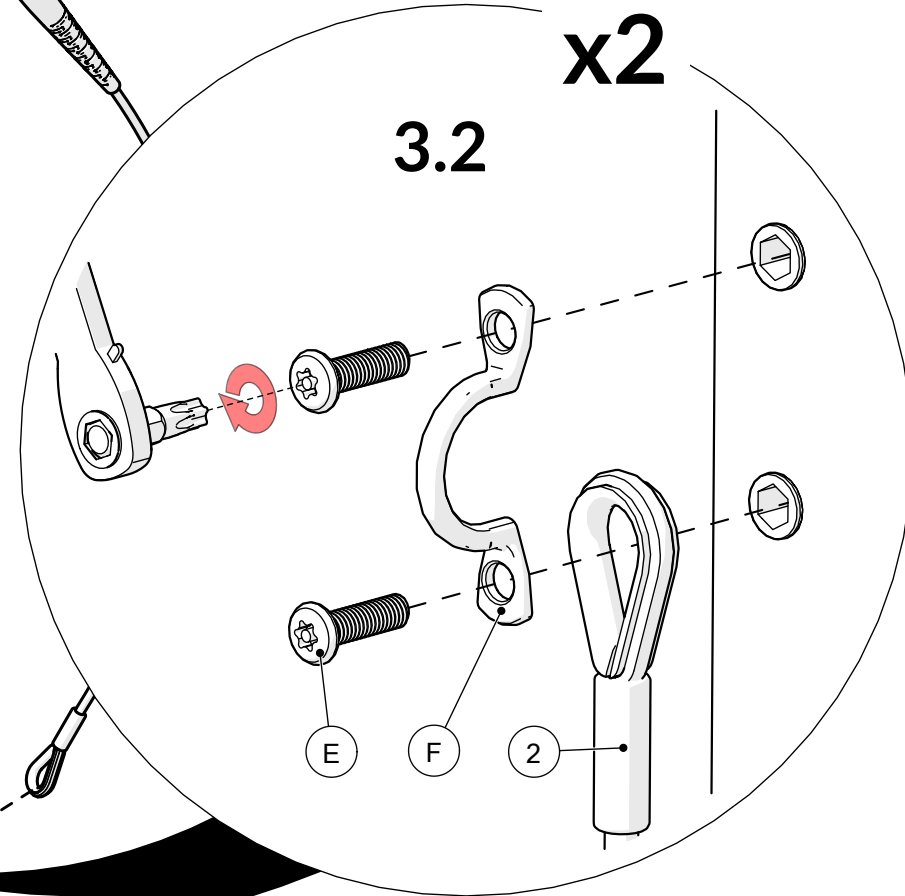
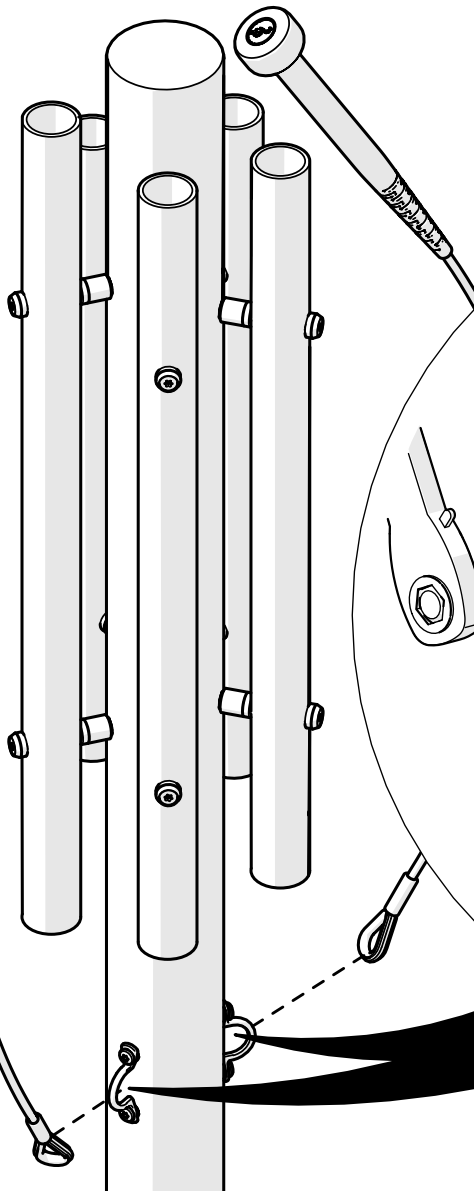


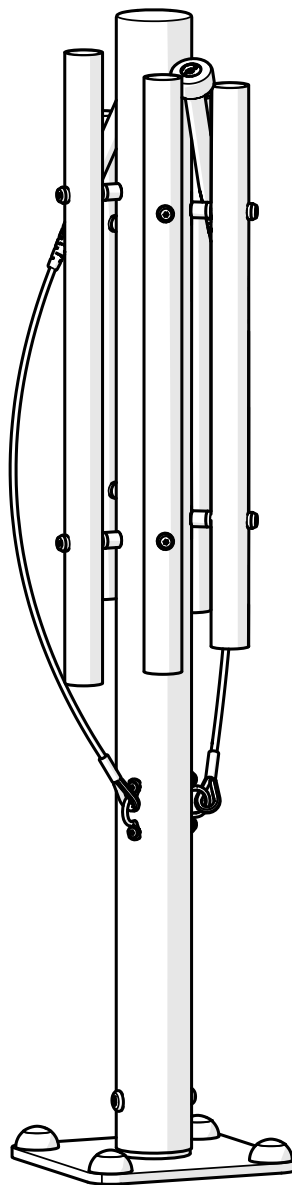
3.



TX30

2		x2
E		x4
F		x2





percussionplay.com



info@percussionplay.com



UK
[01730 235 180](tel:01730235180)

USA & CAN
[+1 \(866\) 882 9170](tel:+18668829170)

EUR & ROW
[+44 1730 235 180](tel:+441730235180)