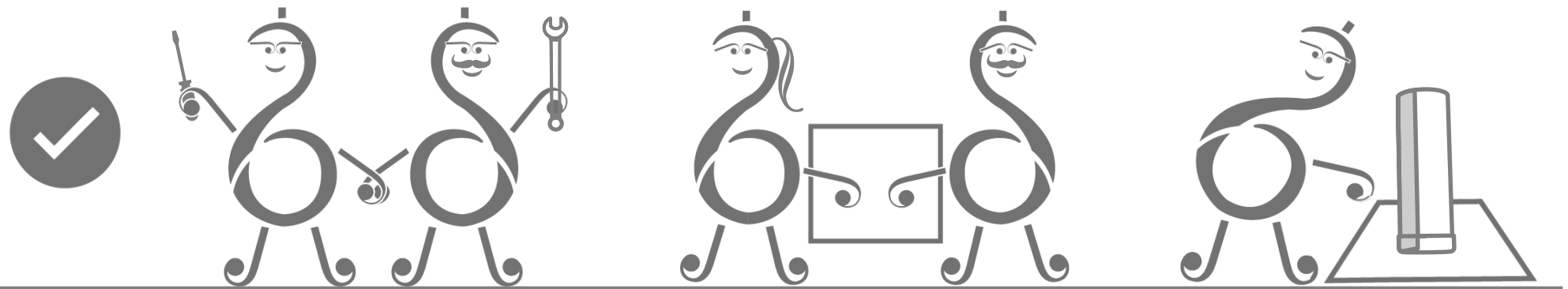
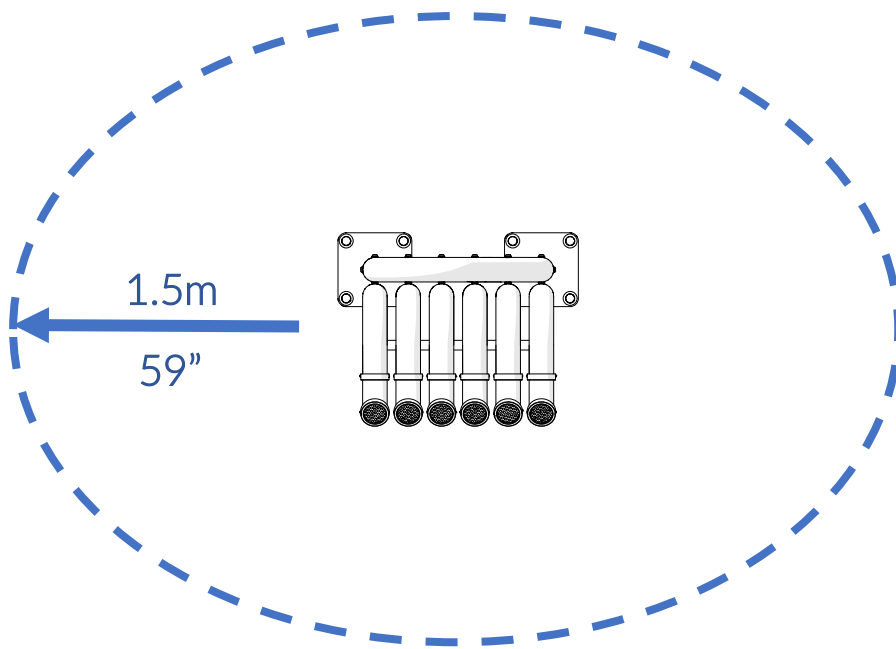


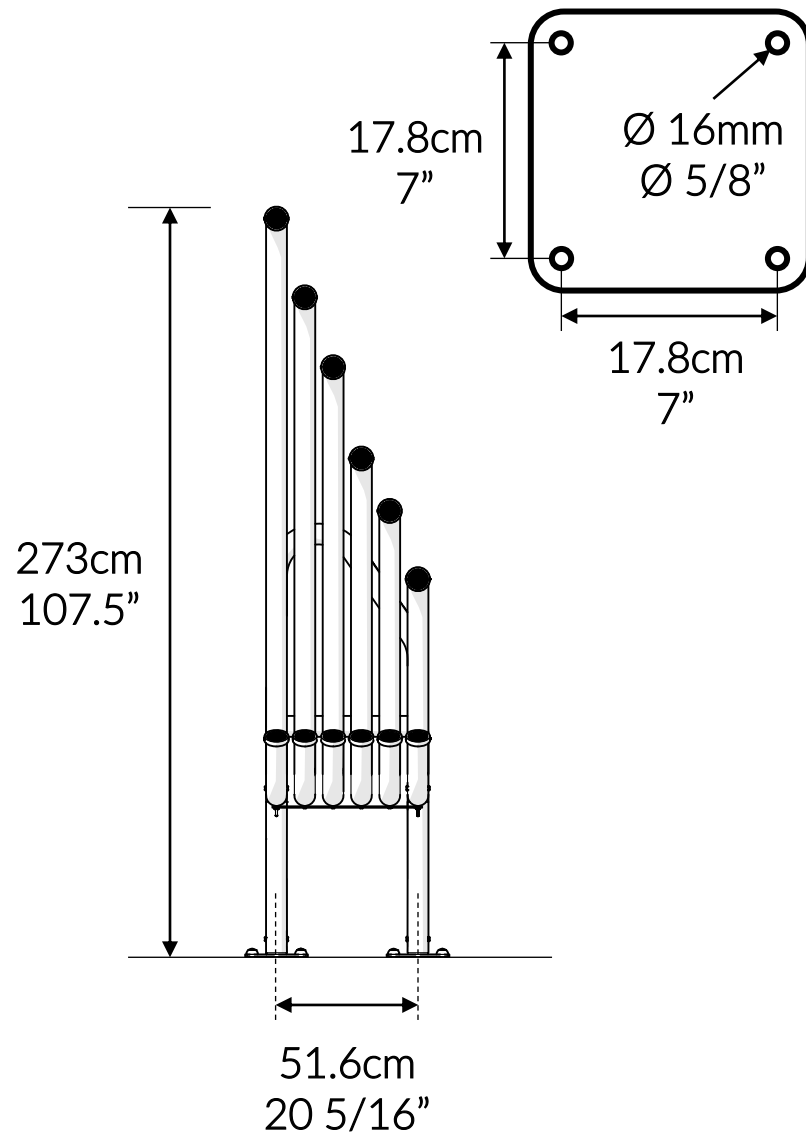
Part Reference	Description
PP-TEMB-PE-SU	Tembos - with closed cell foam paddles (Surface Fix)



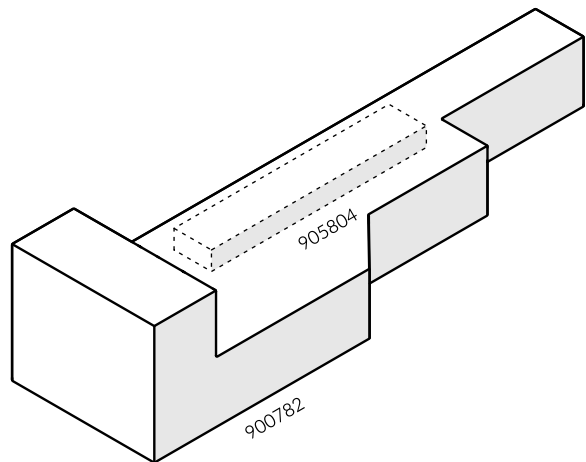




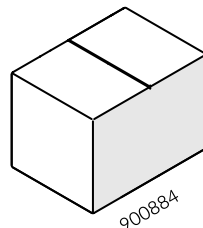
Check Risk Assessment



### Packages



x1

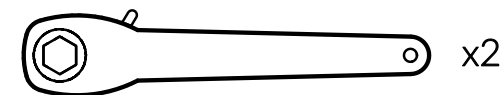


x2

		L	W	H	Weight	Net
x1	900782	220cm / 86.5"	60cm / 23.5"	50cm / 20"	77kg / 170lbs	
	x1 905804	115cm / 45"	20cm / 8"	10cm / 4"		
x2	900884	32cm / 12.5"	23cm / 9"	23cm / 9"	6kg / 13lbs	

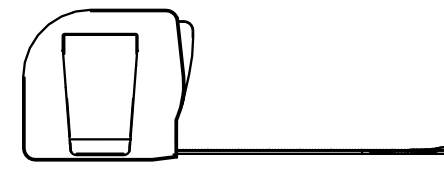
### Tools required (not supplied)

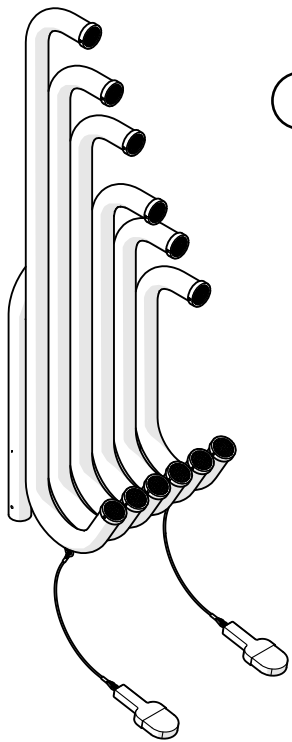
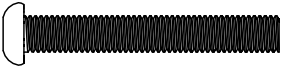
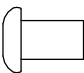
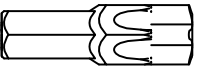
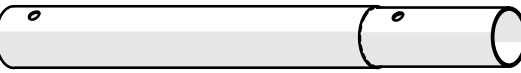

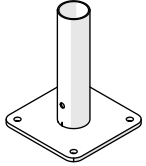

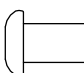
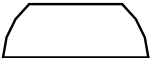

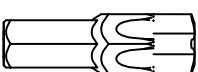
¼" Bit Driver Ratchet



x2

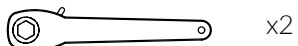
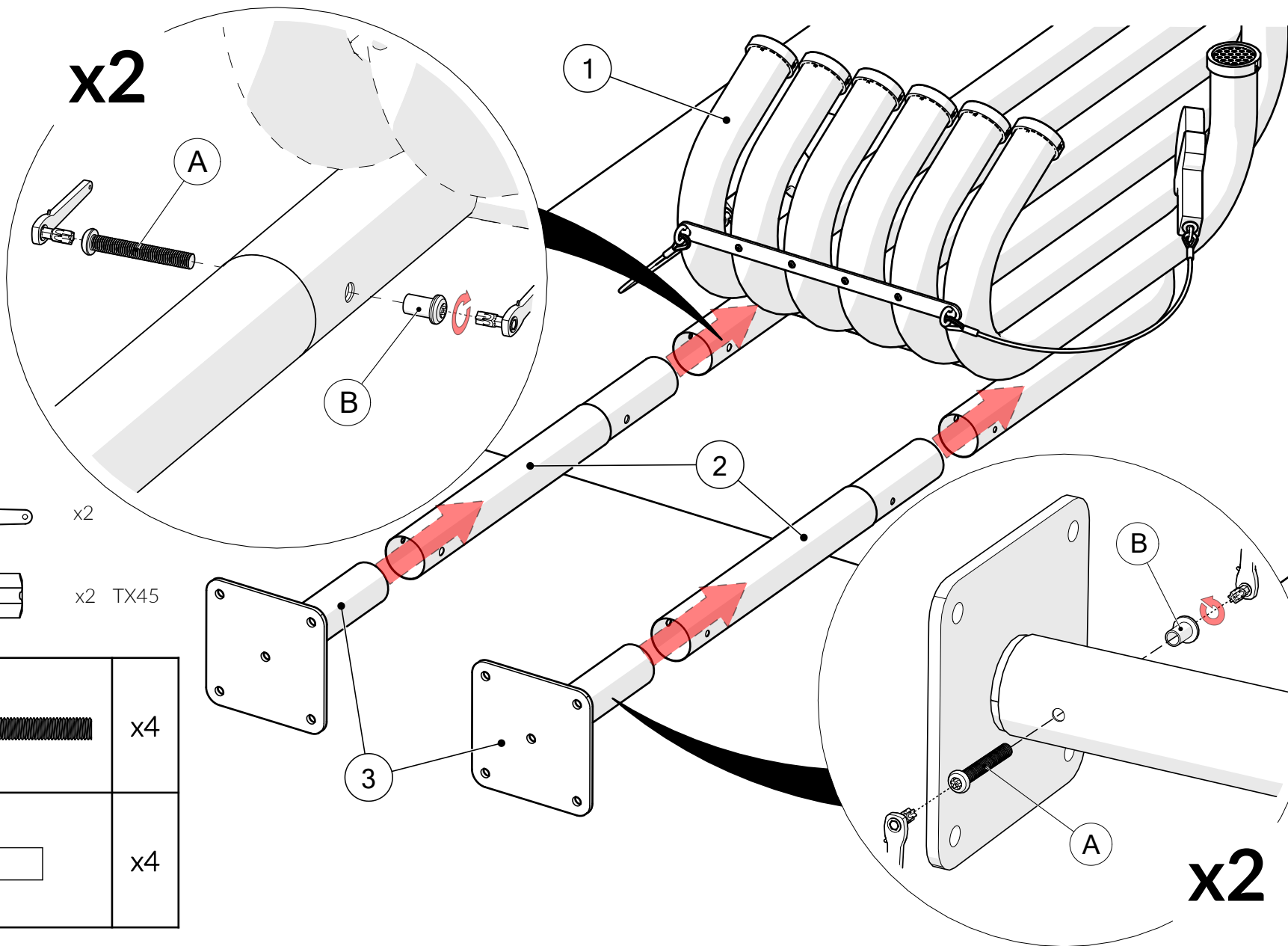
Tape Measure



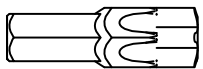
900782			
 <p style="text-align: right;">① x1</p>	<p>Ⓐ x2 500667</p> 		
	<p>Ⓑ x2 500613</p> 		
	<p>TX45 x2 500720</p> 		
905804			
<p>② x2 805802</p> 	<p>TX30 x1 500473</p> 		
		900884	x2
		<p>③ x1 800878</p> 	
		<p>Ⓐ x1 500667</p> 	
		<p>Ⓑ x1 500613</p> 	
		<p>Ⓒ x4 601543</p> 	
		<p>Ⓓ x4 601542</p> 	
		<p>TX45 x2 500720</p> 	

Not to scale


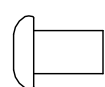
**1.** **x2**



x2

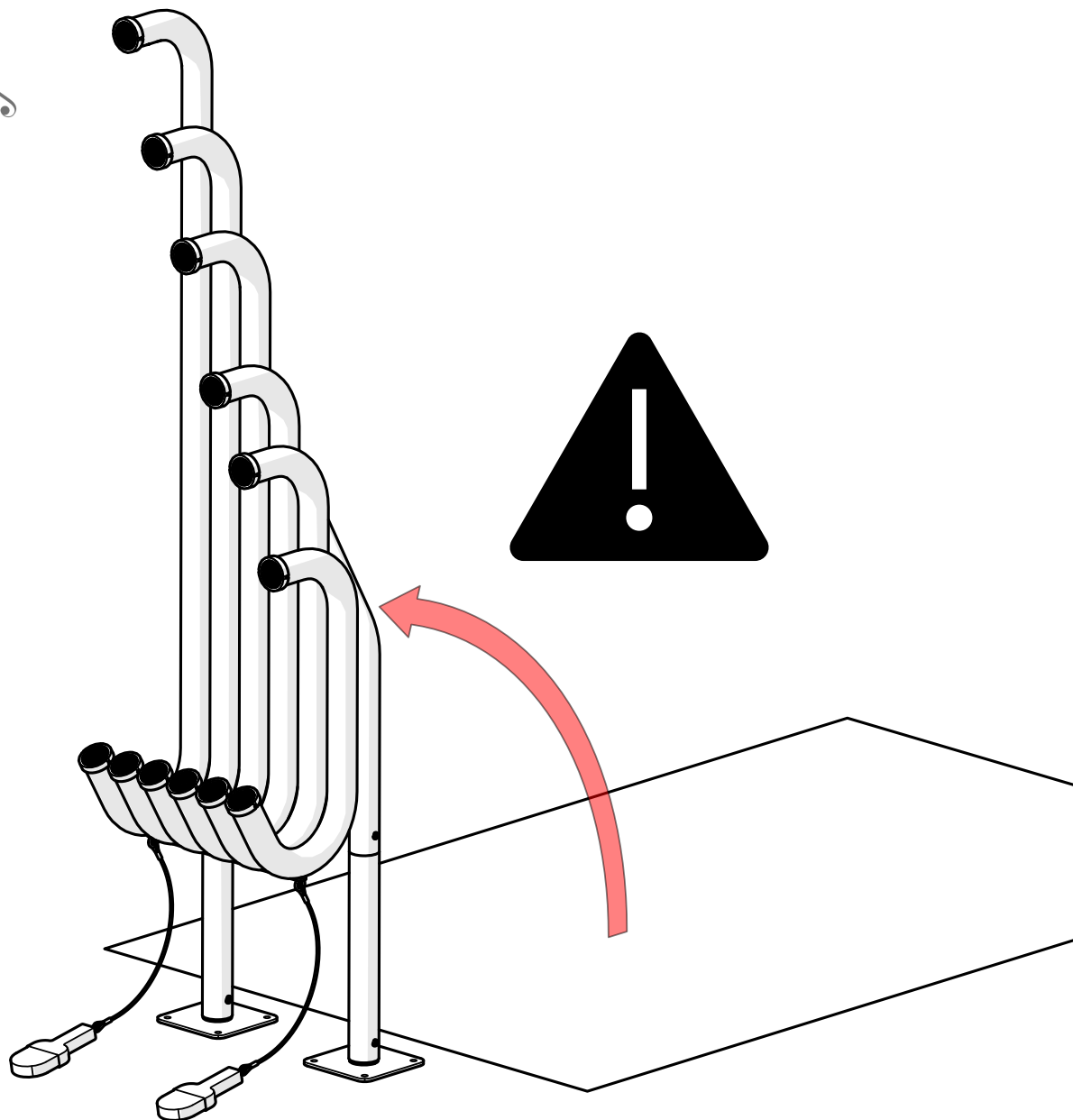
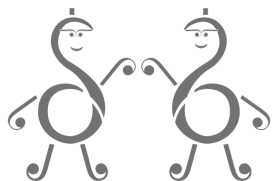


x2 TX45

A		x4
B		x4

**x2**

2.



# 3. x2

Surface fixing should not present a hazard



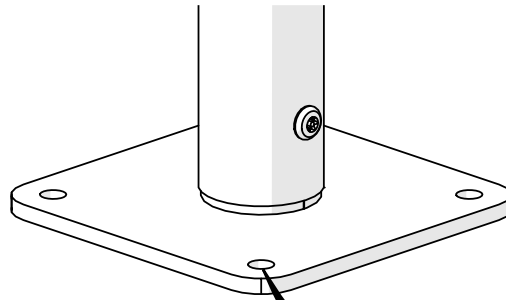
Refer to your local Health & Safety standards

C		x8
D		x8

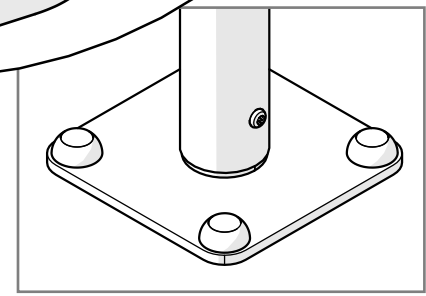
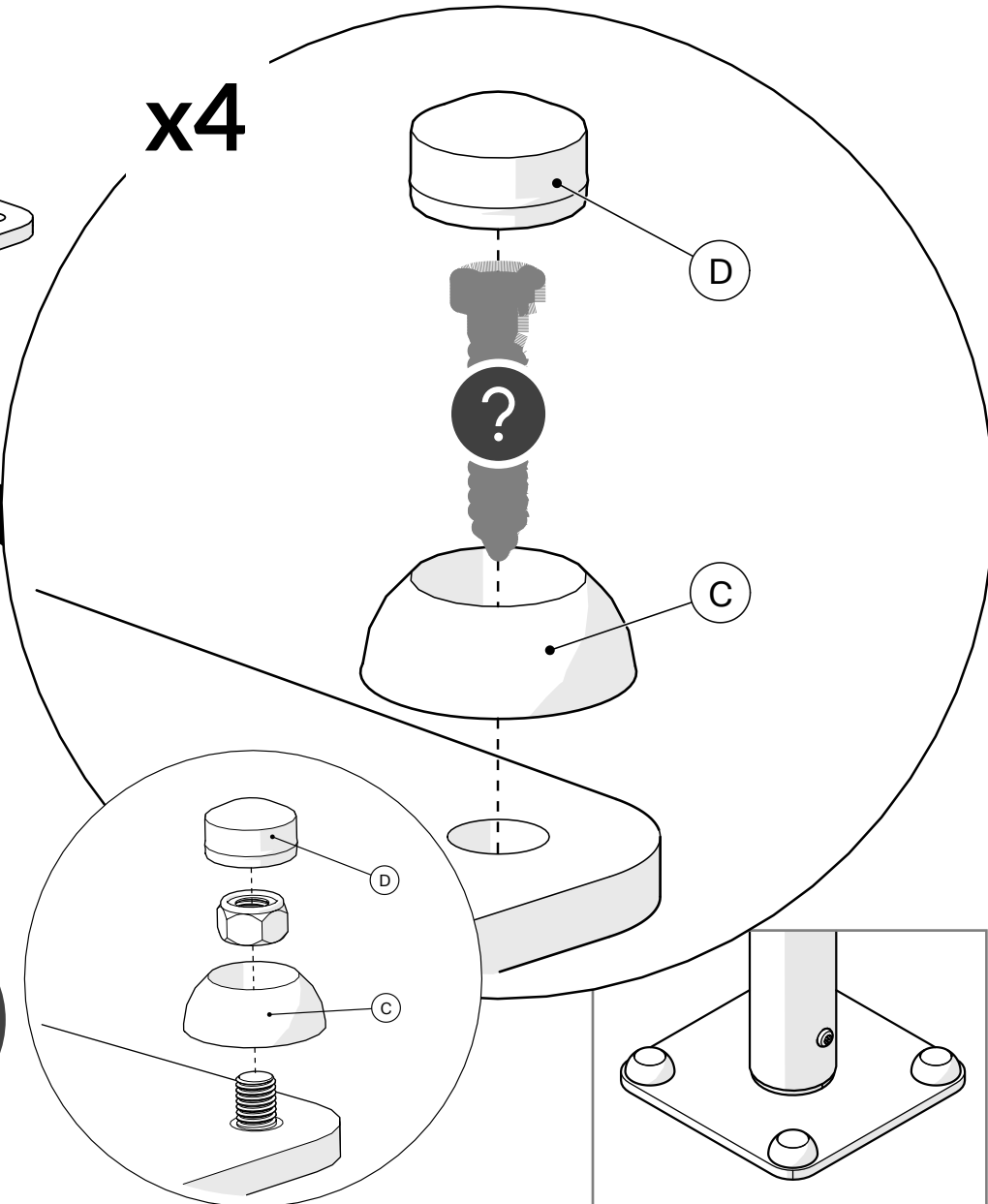
Surface

Example fixing

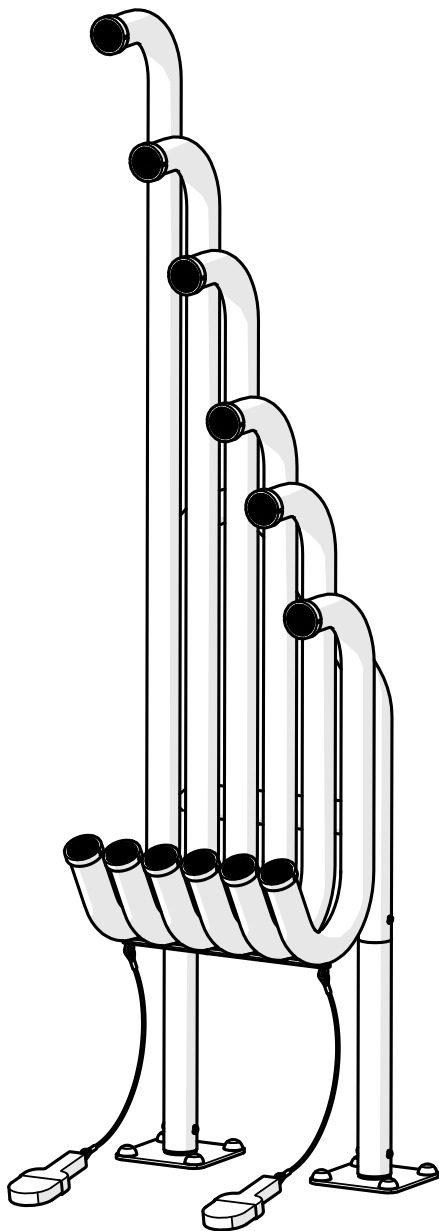
	Wood		x8
	Concrete		x8
	Brick		x8



x4







[percussionplay.com](http://percussionplay.com)



[info@percussionplay.com](mailto:info@percussionplay.com)



UK  
[01730 235 180](tel:01730235180)

USA & CAN  
[+1 \(866\) 882 9170](tel:+18668829170)

EUR & ROW  
[+44 1730 235 180](tel:+441730235180)