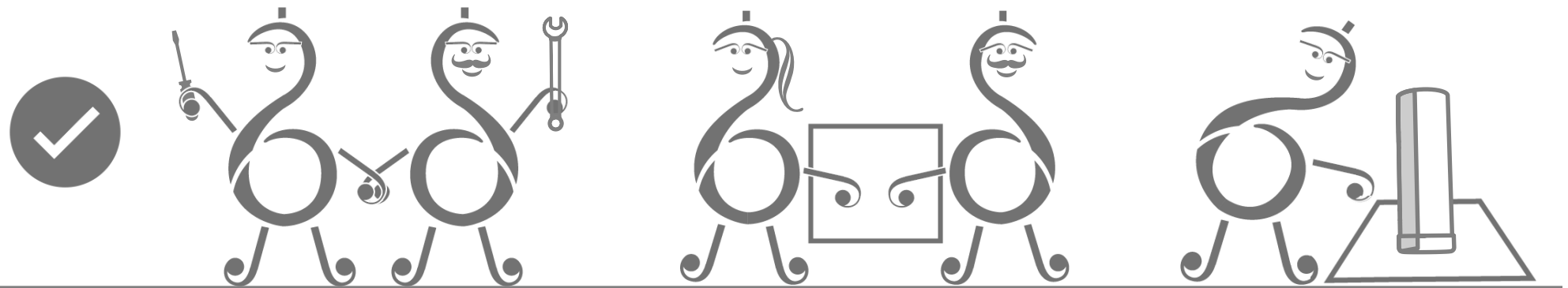
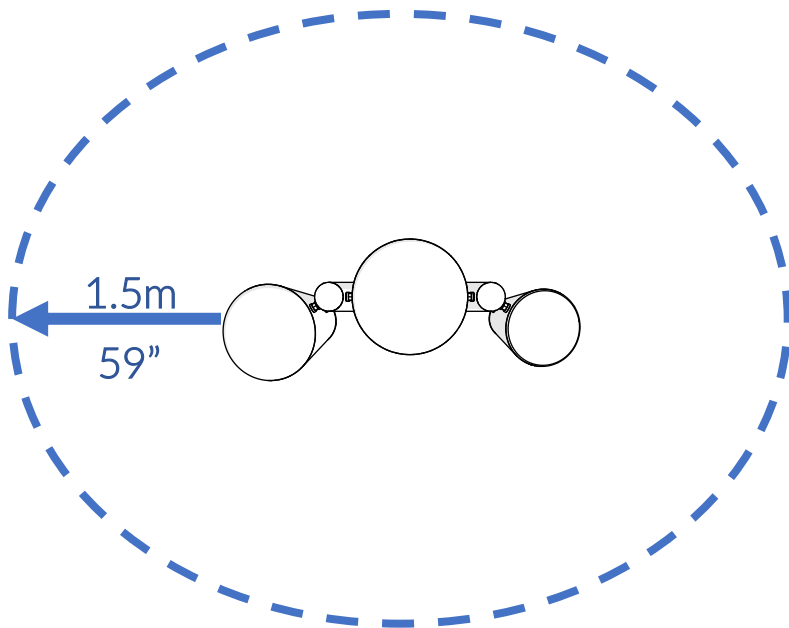


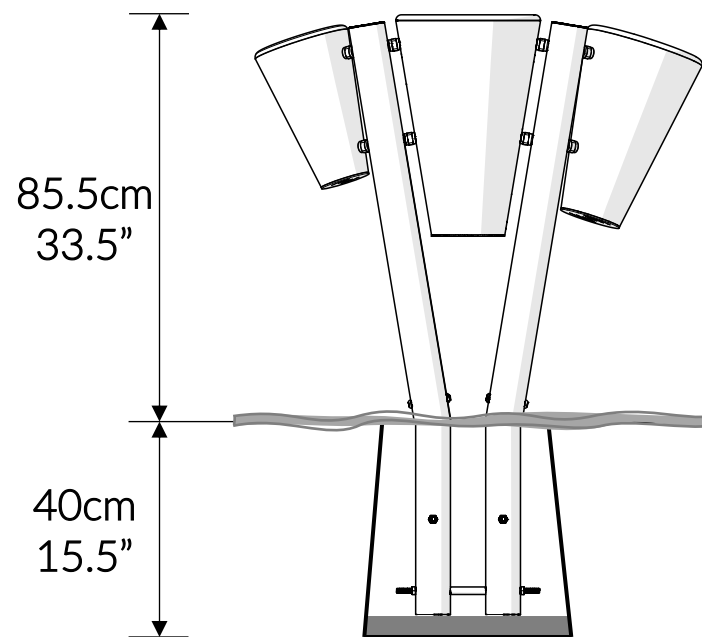
Part Reference	Description
PP-STCO-TRIO-GF	Street Congas Trio (Ground Fix)



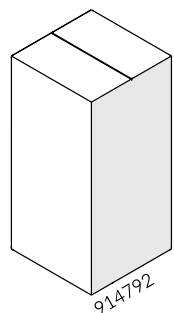




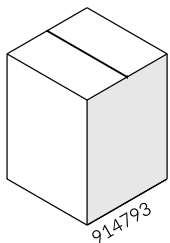
Check Risk Assessment



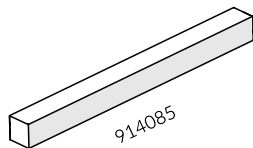
### Packages



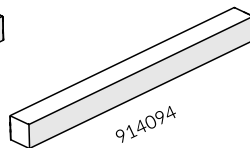
x1



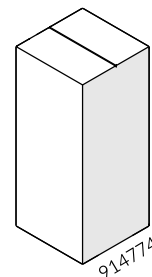
x1



x1



x1



x1

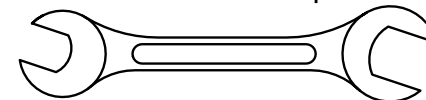
### Tools required (not supplied)

1/4" Bit Driver Ratchet



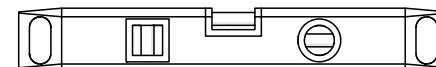
x2

11/16" / 17mm Spanner

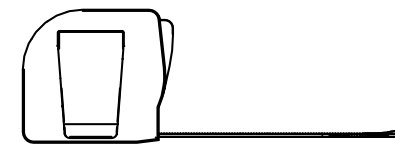


x2

Spirit level



Tape Measure

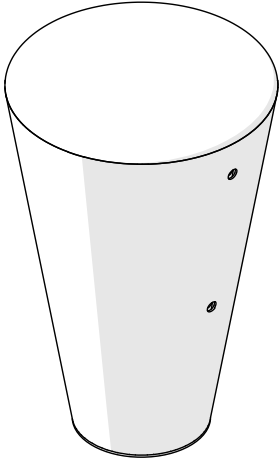


		L	W	H	Weight	Net
x1	914792	77cm / 30"	37cm / 14.5"	37cm / 14.5"	21kg / 46lbs	
x1	914793	50cm / 19.5"	37cm / 14.5"	37cm / 14.5"	14kg / 31lbs	
x1	914085	115cm / 45"	11cm / 4.5"	11cm / 4.5"	4kg / 9lbs	
x1	914094	115cm / 45"	11cm / 4.5"	11cm / 4.5"	4kg / 9lbs	
x1	914774	65cm / 25.5"	28cm / 11"	28cm / 11"	11kg / 24lbs	



914792

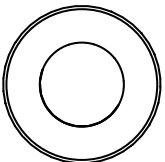
① x1  
814760



ⓕ x4  
614102

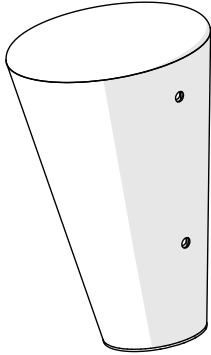


ⓐ x8  
614445

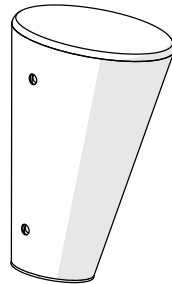


914793

② x1  
814759



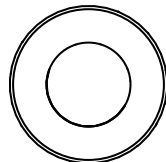
③ x1  
814762



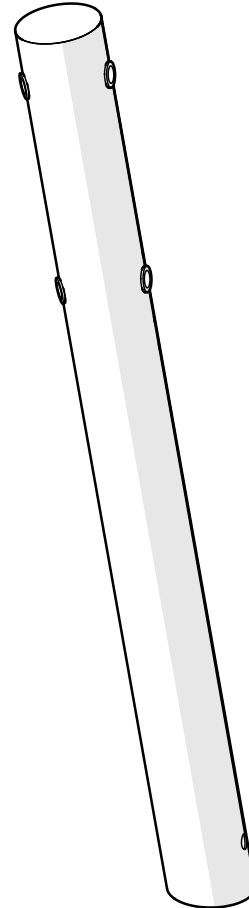
ⓕ x4  
614102



ⓐ x8  
614445

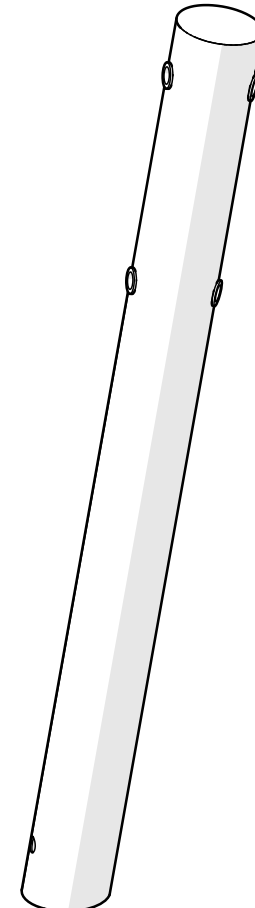


914094



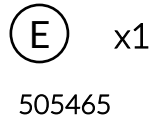
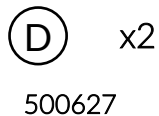
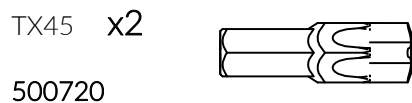
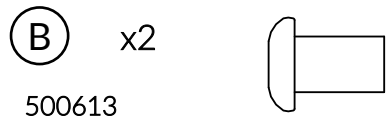
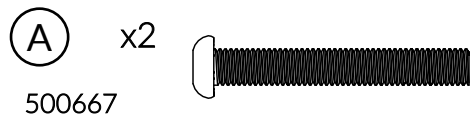
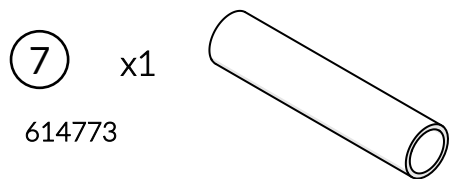
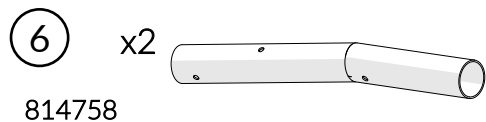
④ x1  
L  
814770

914085



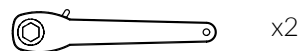
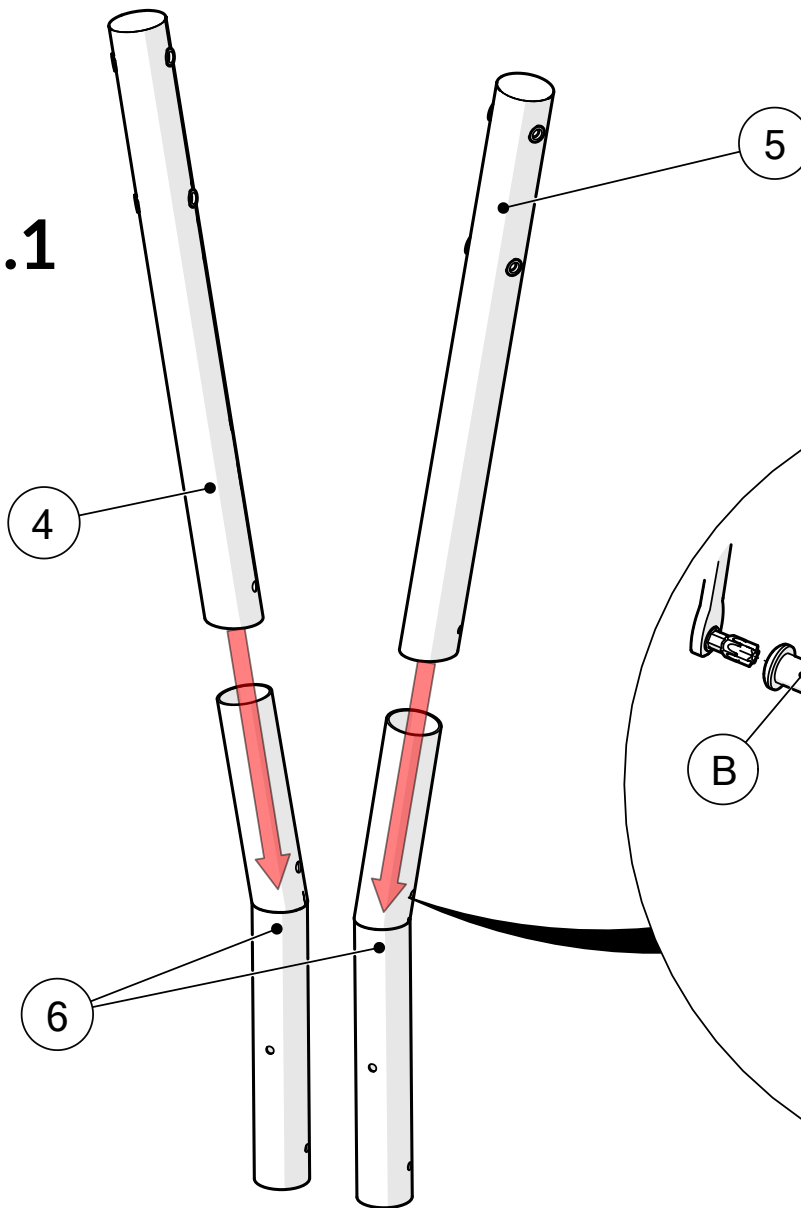
⑤ x1  
R  
814771

914774



# 1.

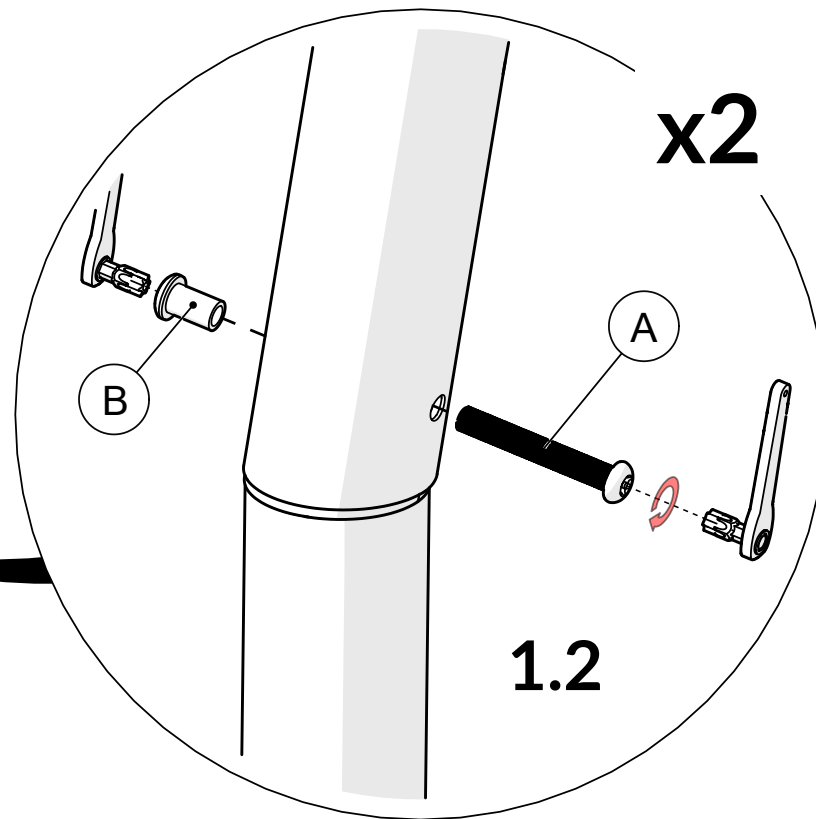
## 1.1



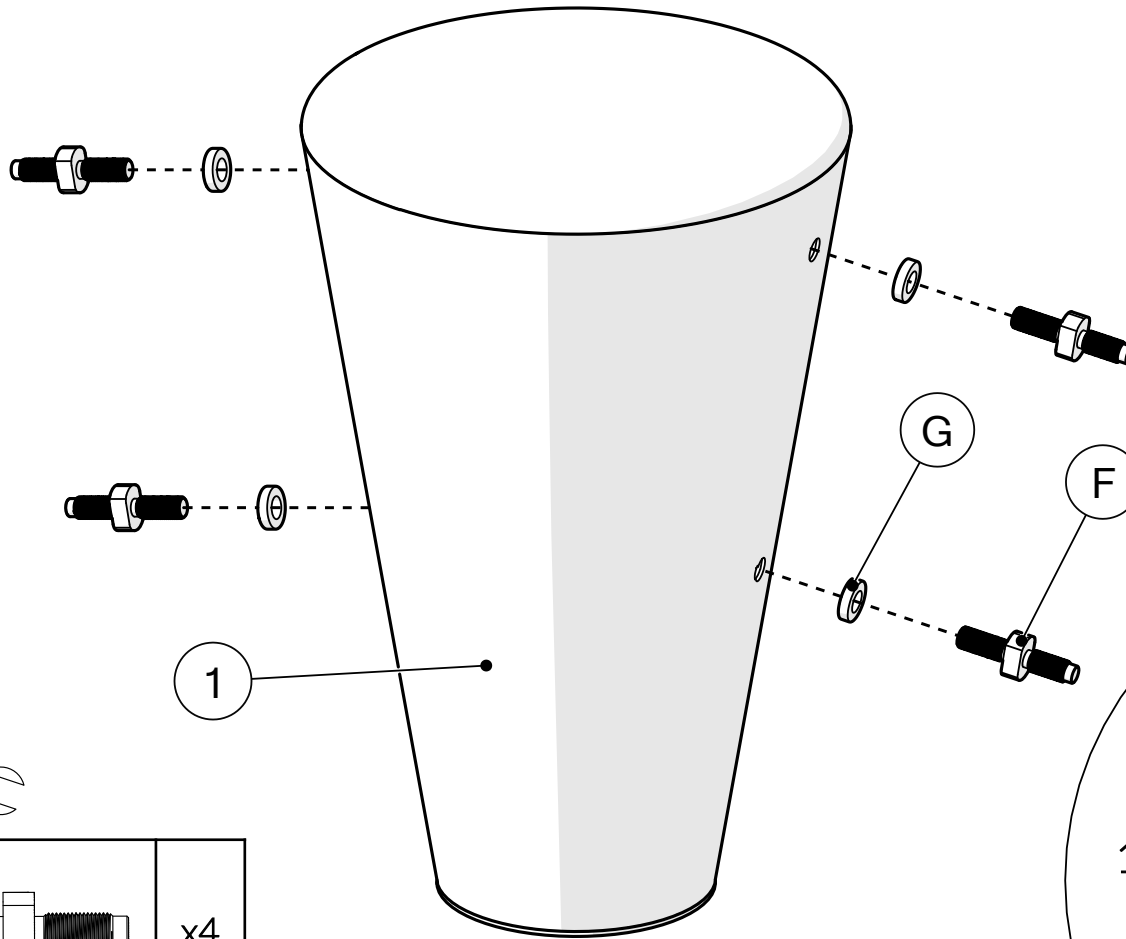
A		x2
B		x2

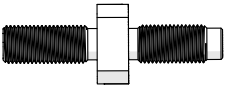
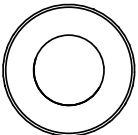
x2

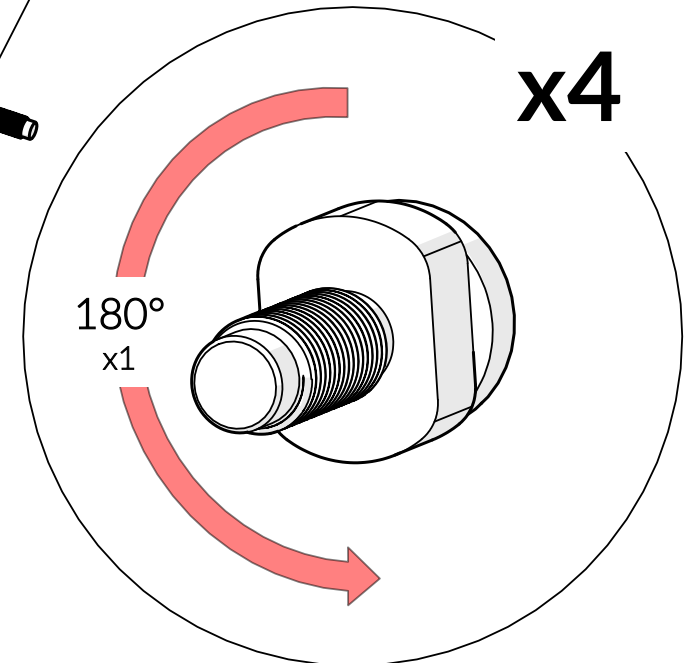
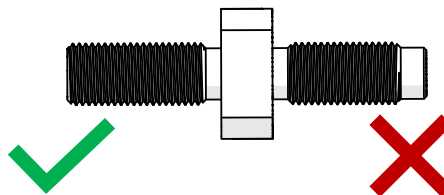
## 1.2



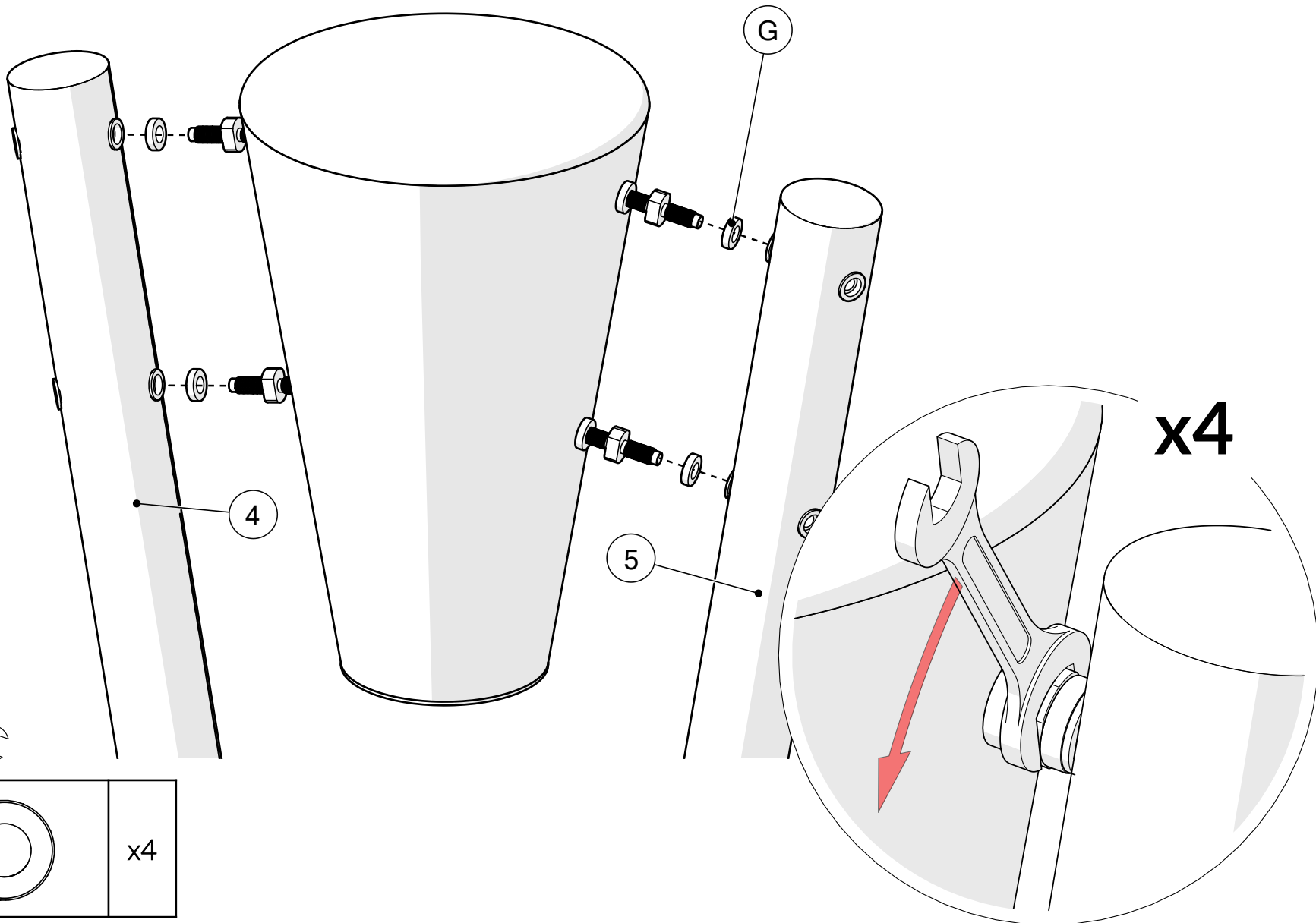
2.

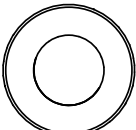


F		x4
G		x4

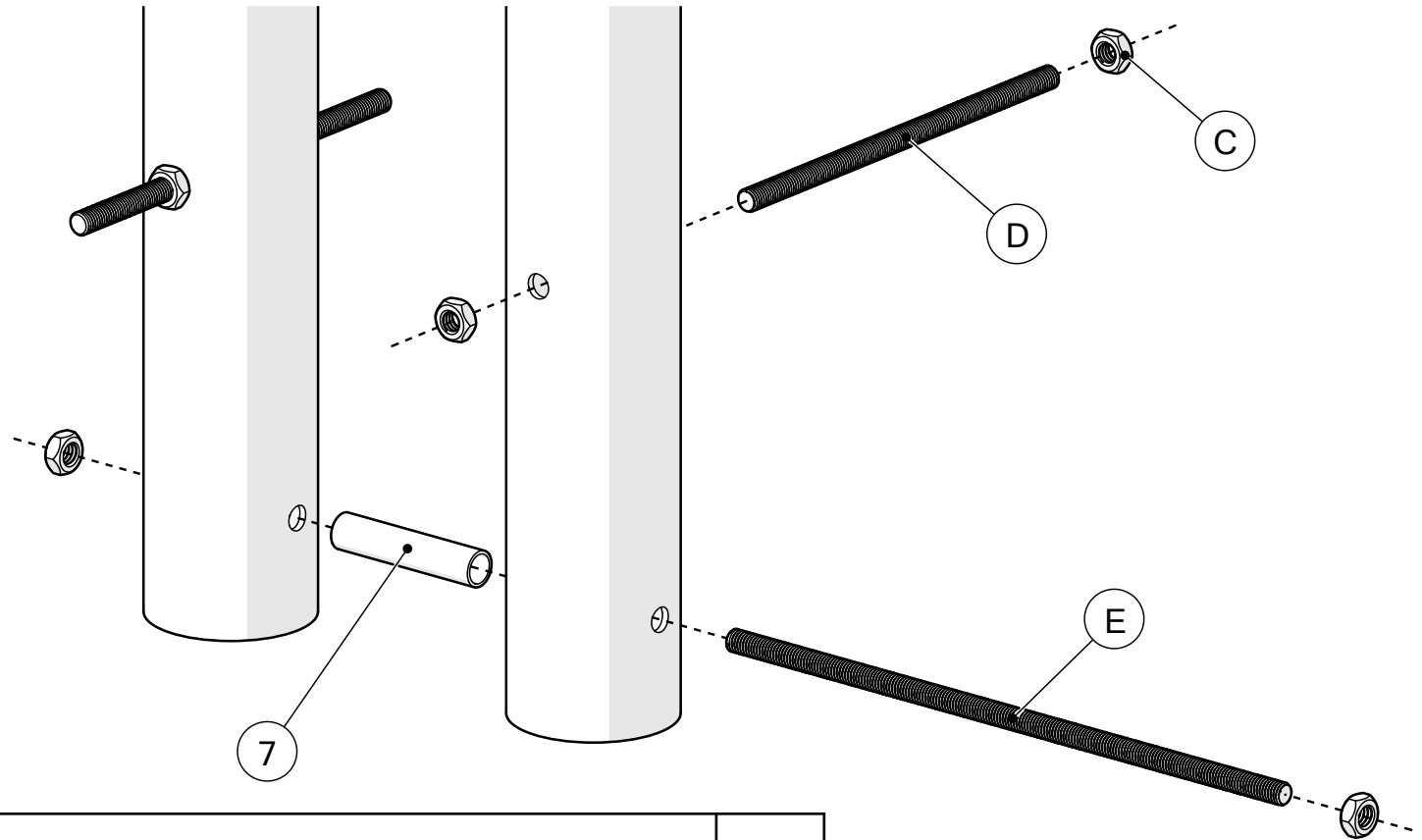





3.



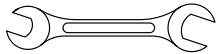
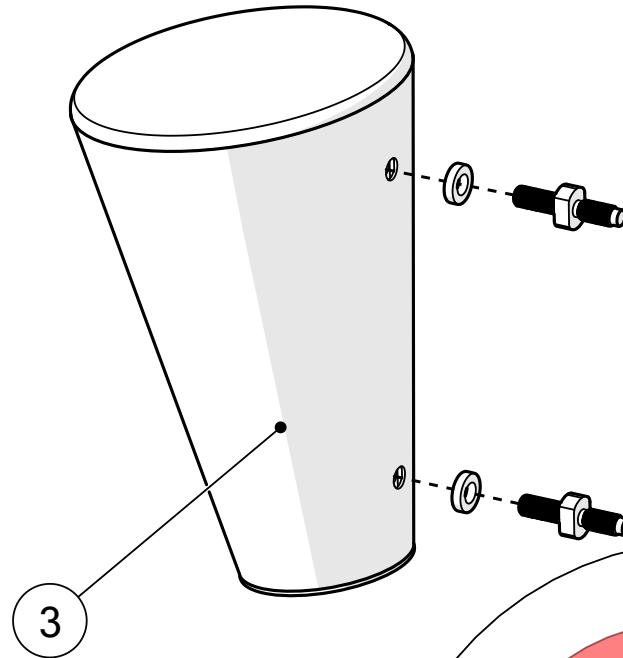
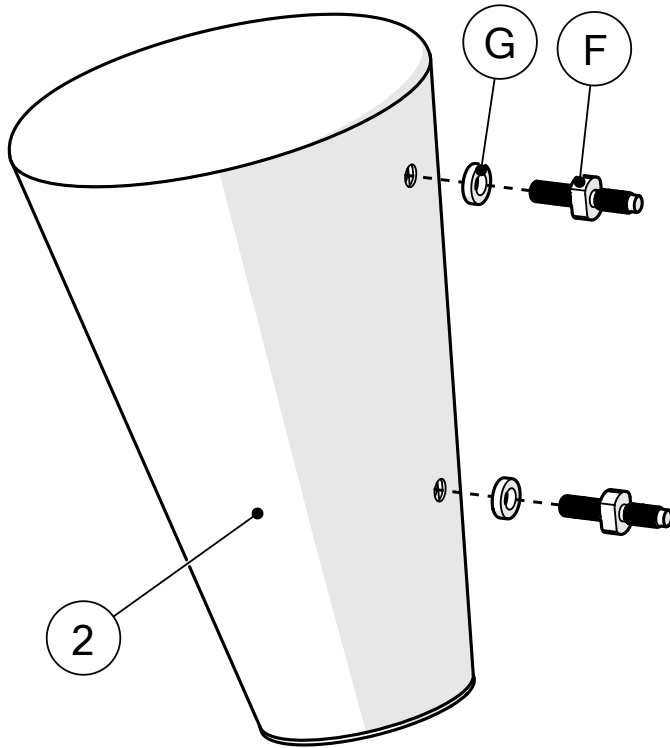
G		x4
---	---	----

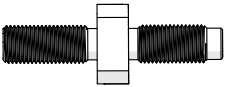
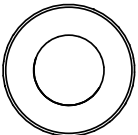
4.

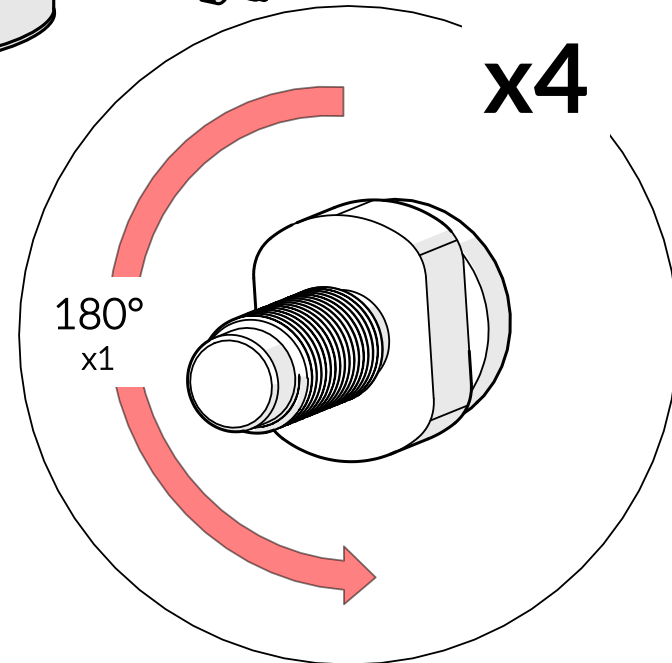
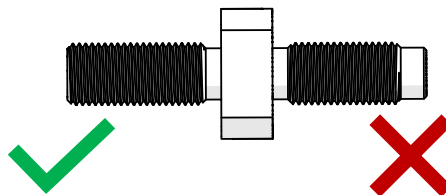


C		x6
D		x2
E		x1

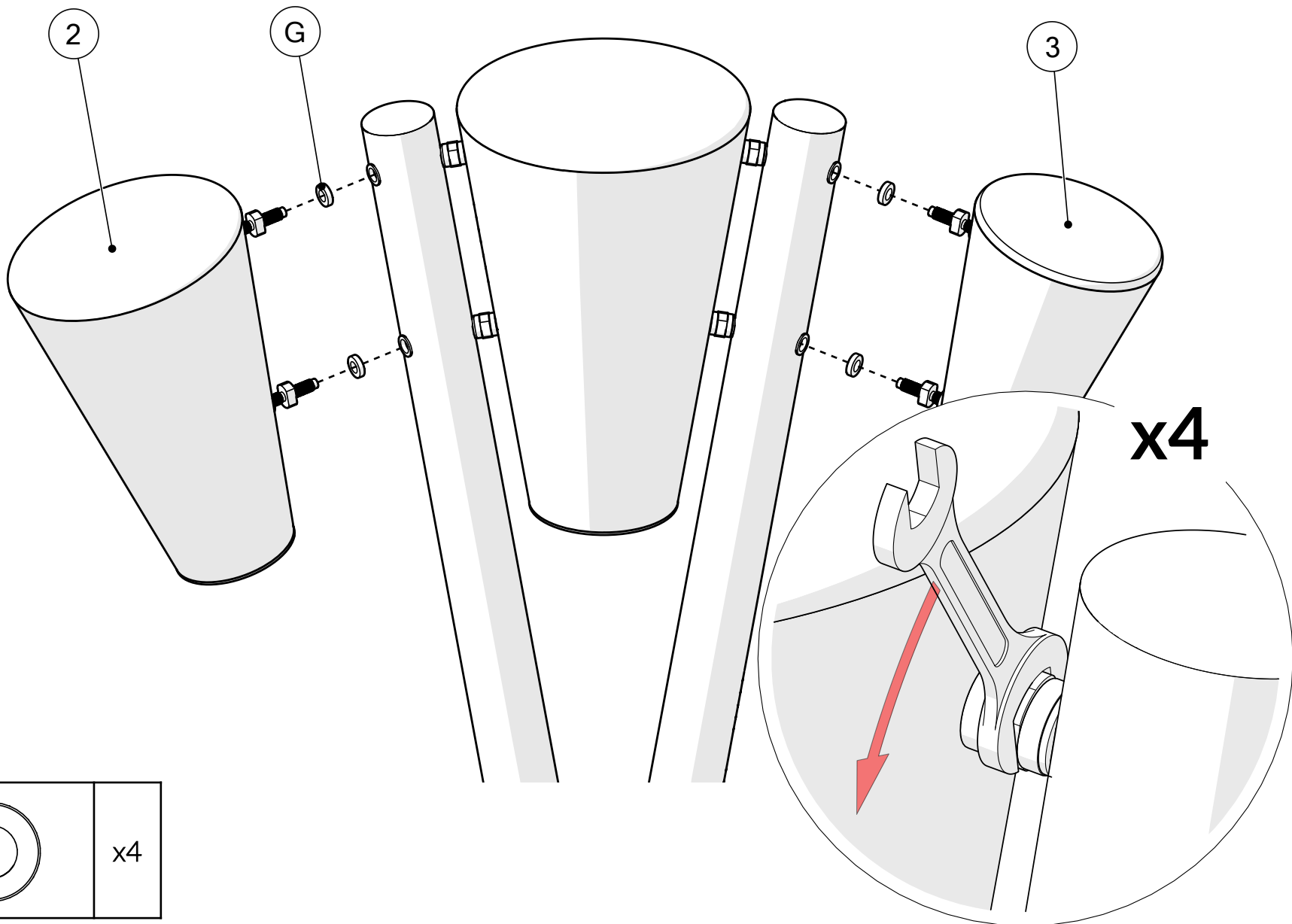
5.



F		x4
G		x4



6.



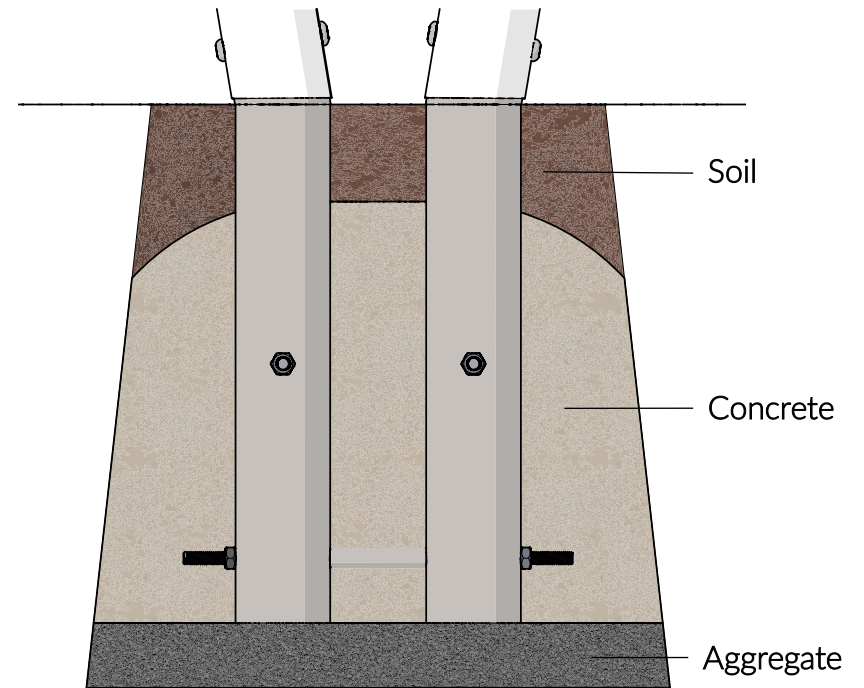
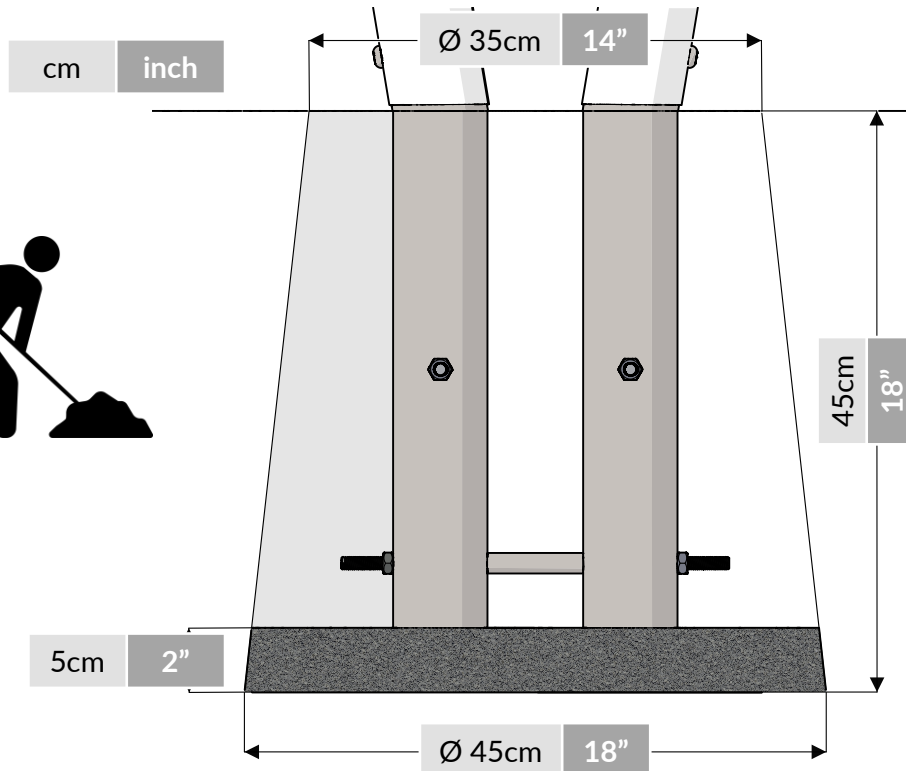
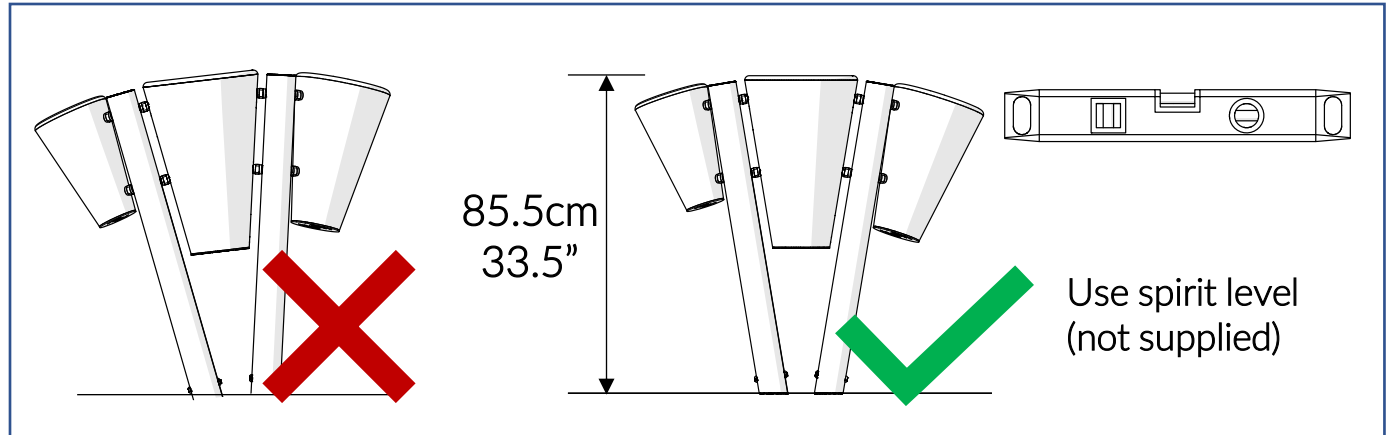
G		x4
---	--	----

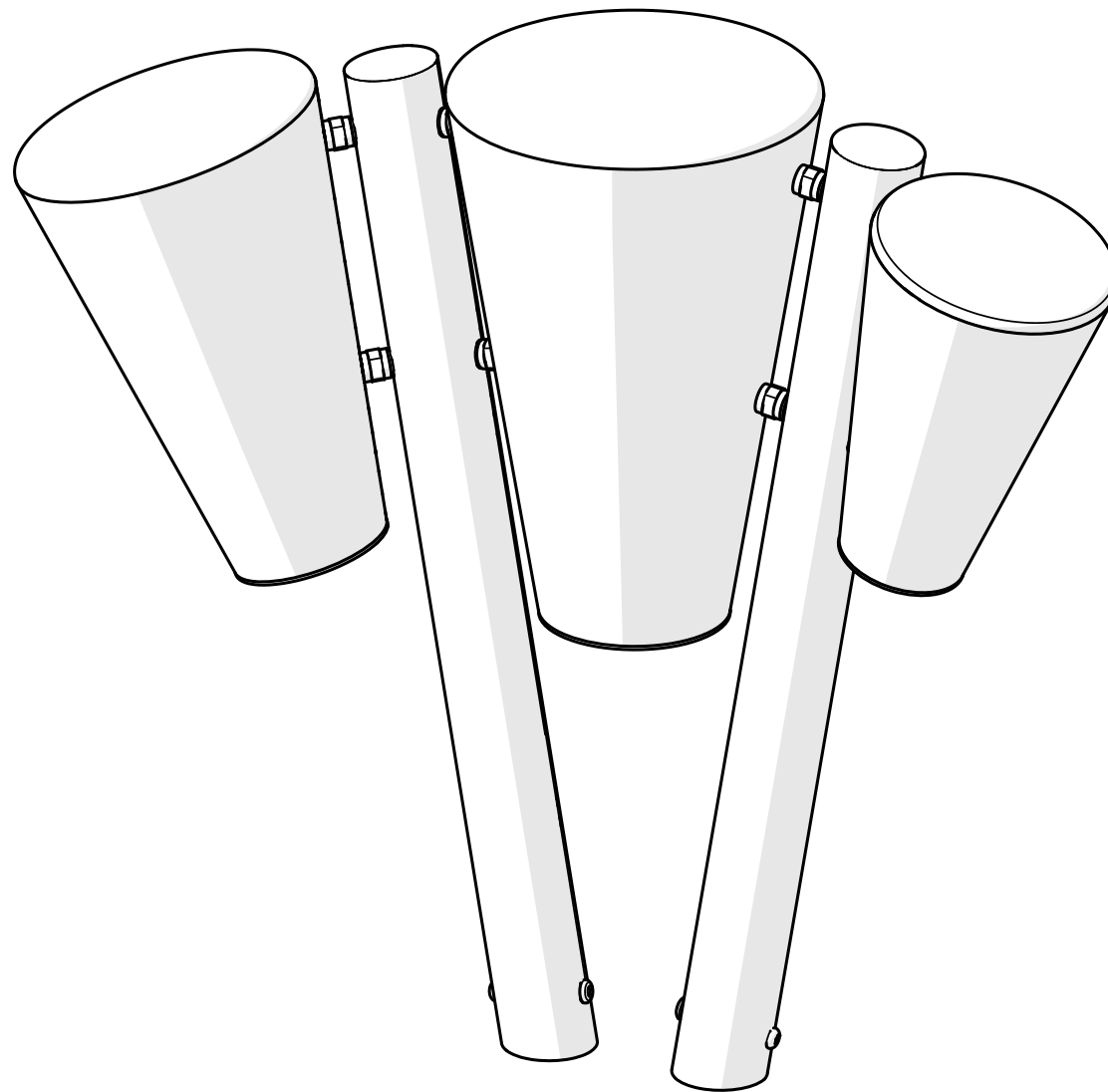
# 7.



Foundations should not present a hazard

Refer to your local Health & Safety standards





[percussionplay.com](http://percussionplay.com)



[info@percussionplay.com](mailto:info@percussionplay.com)



UK  
[01730 235 180](tel:01730235180)

USA & CAN  
[+1 \(866\) 882 9170](tel:+18668829170)

EUR & ROW  
[+44 1730 235 180](tel:+441730235180)