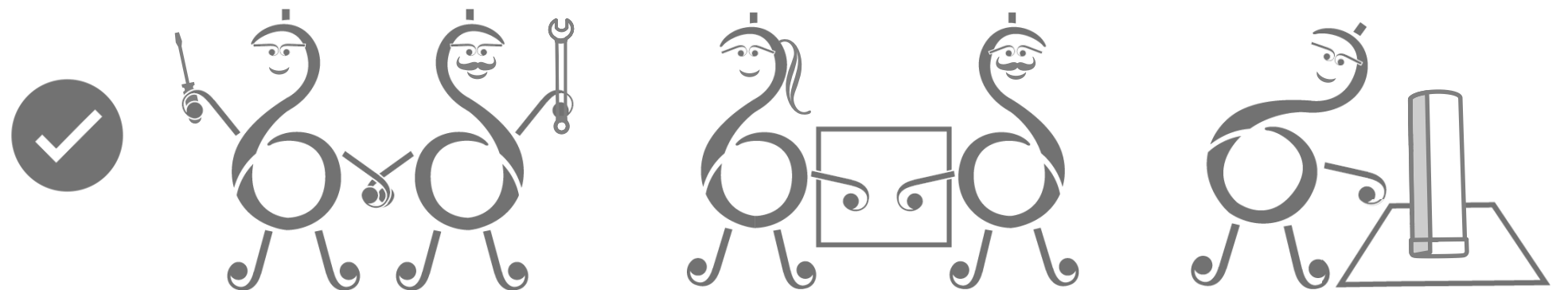
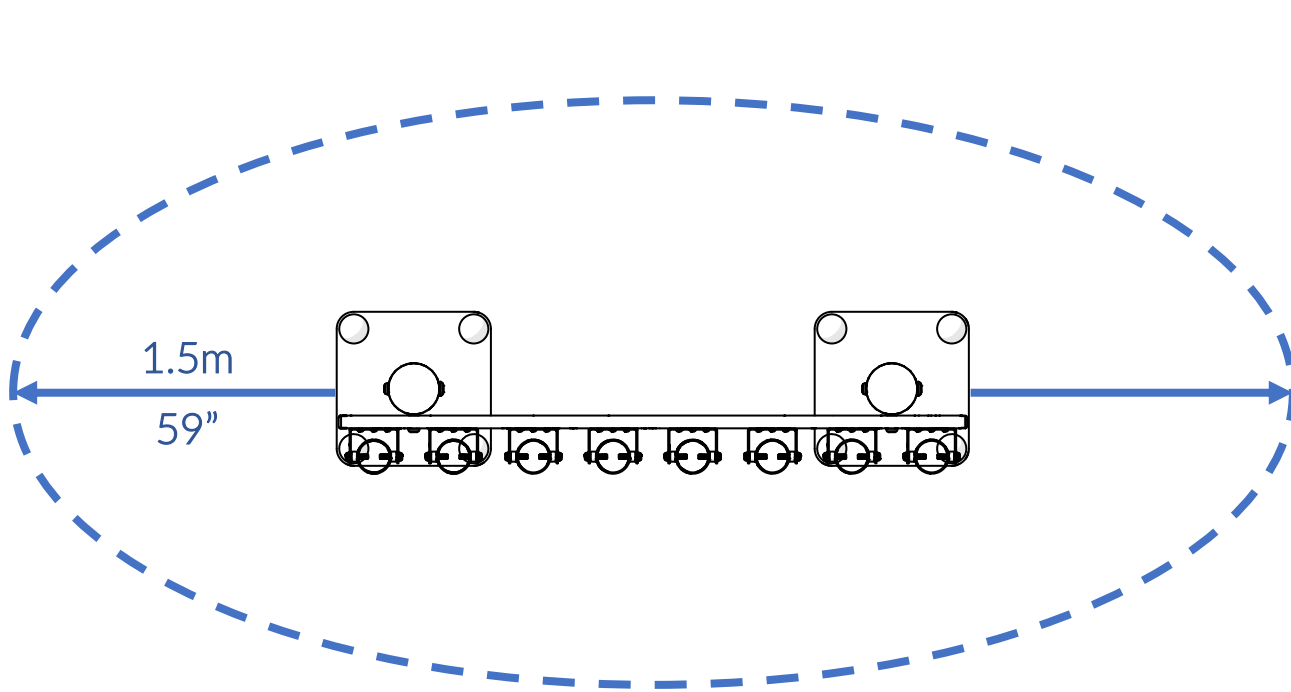


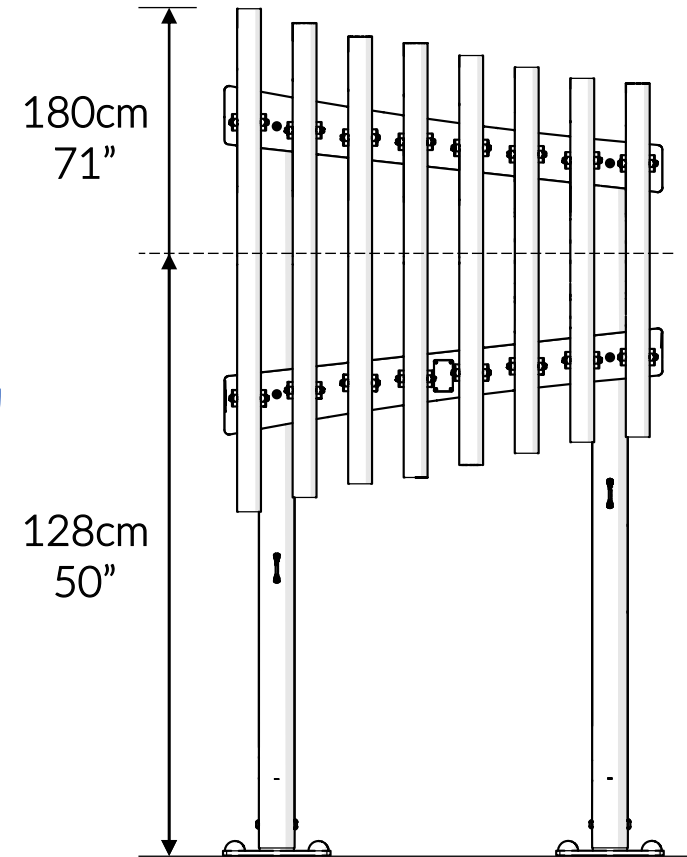
Part Reference	Description
PP-FREC-AL-DI-SU	C4-C5 Alto Diatonic - 8 notes (Surface Fix)



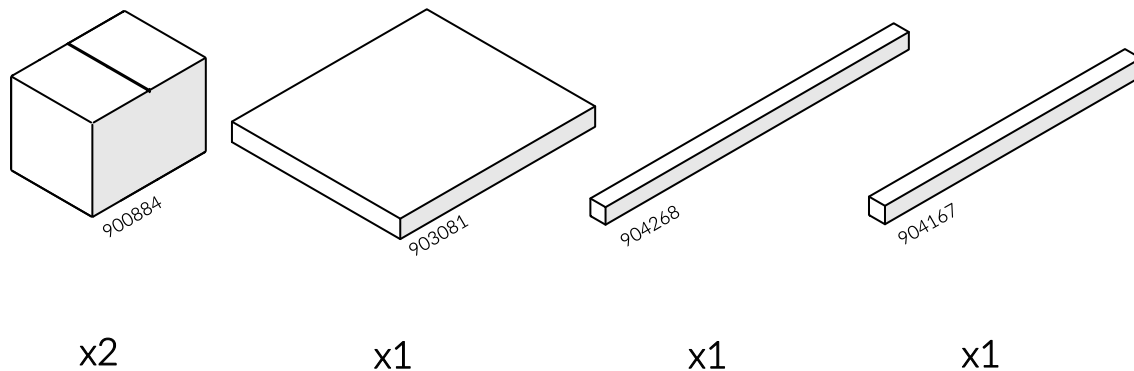




Check Risk Assessment



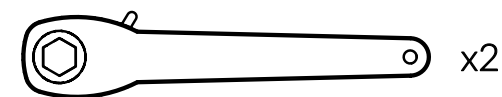
Packages



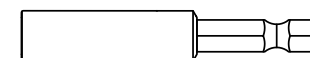
		L	W	H	Weight	Net
x2	900884	23cm / 9"	23cm / 9"	31cm / 12"	6kg / 13lbs	
x1	903081	110cm / 43.5"	95cm / 37.5"	10cm / 4"	19kg / 42lbs	
x1	904268	200cm / 79"	10cm / 4"	10cm / 4"	9kg / 20lbs	
x1	904167	160cm / 63"	10cm / 4"	10cm / 4"	9kg / 20lbs	

Tools required (not supplied)

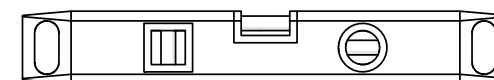
¼" Bit Driver Ratchet



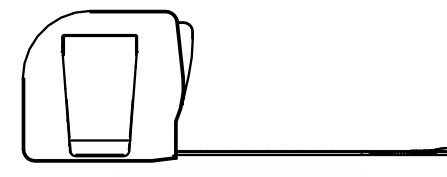
¼" hex adapter

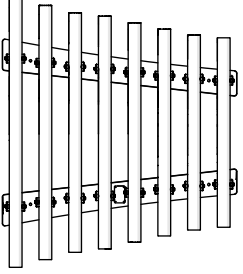
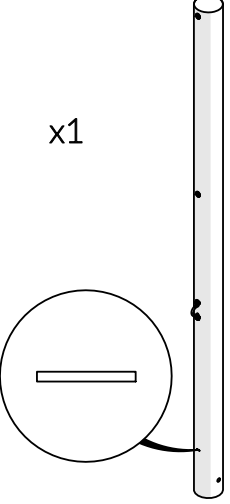
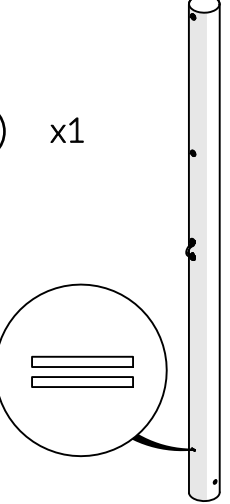
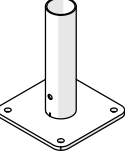

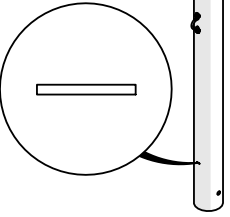
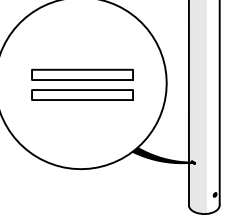
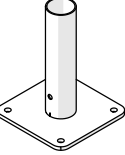

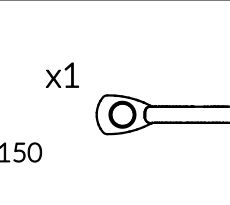
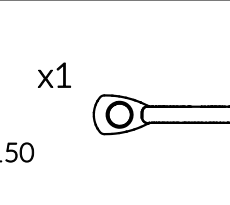
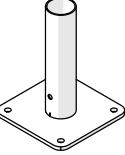

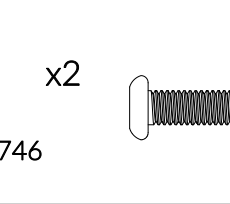
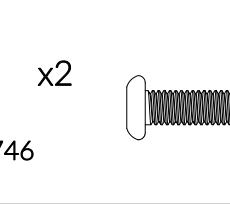
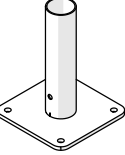
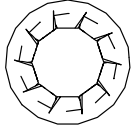

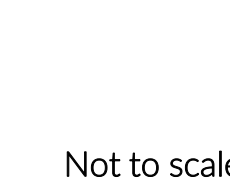
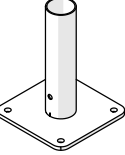
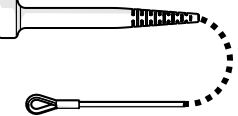

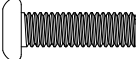
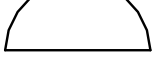
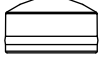
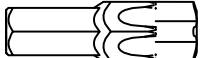


Spirit level



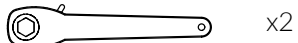
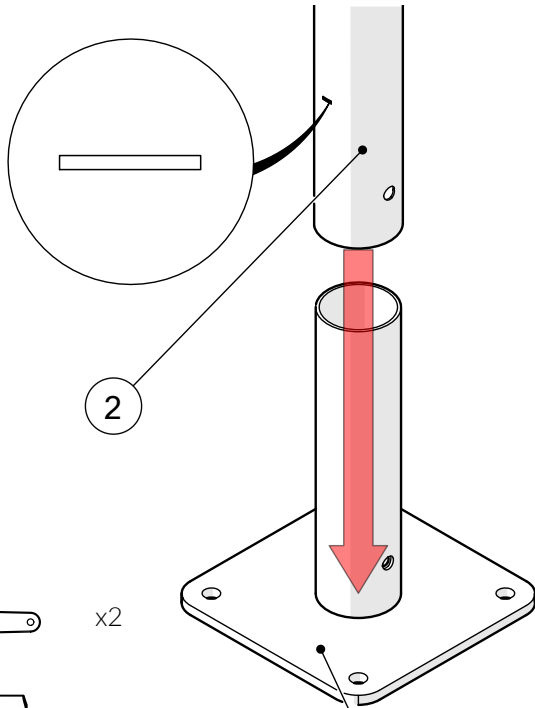
Tape Measure



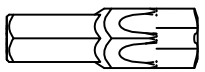
<p>903081</p>	<p>904268</p>	<p>904167</p>	<p>900884</p> <p style="text-align: right;">x2</p>
<p>① x1</p> 	<p>② x1</p> 	<p>③ x1</p> 	<p>⑤ x1 800878</p> 
<p>TX30 x1 500473</p> 	<p>② x1</p> 	<p>③ x1</p> 	<p>⑤ x1 800878</p> 
<p>TX40 x1 500474</p> 	<p>② x1</p> 	<p>③ x1</p> 	<p>⑤ x1 800878</p> 
<p>① x4 502452</p> 	<p>② x1</p> 	<p>③ x1</p> 	<p>⑤ x1 800878</p> 
<p>② x4 500456</p> 	<p>③ x1</p> 	<p>③ x1</p> 	<p>⑤ x1 800878</p> 
<p>④ x2 900832</p> 	<p>④ x2 500746</p> 	<p>④ x2 500746</p> 	<p>⑤ x4 601543</p> 
			<p>⑥ x4 601542</p> 
			<p>TX45 x2 500720</p> 
			<p>Not to scale</p>

1.

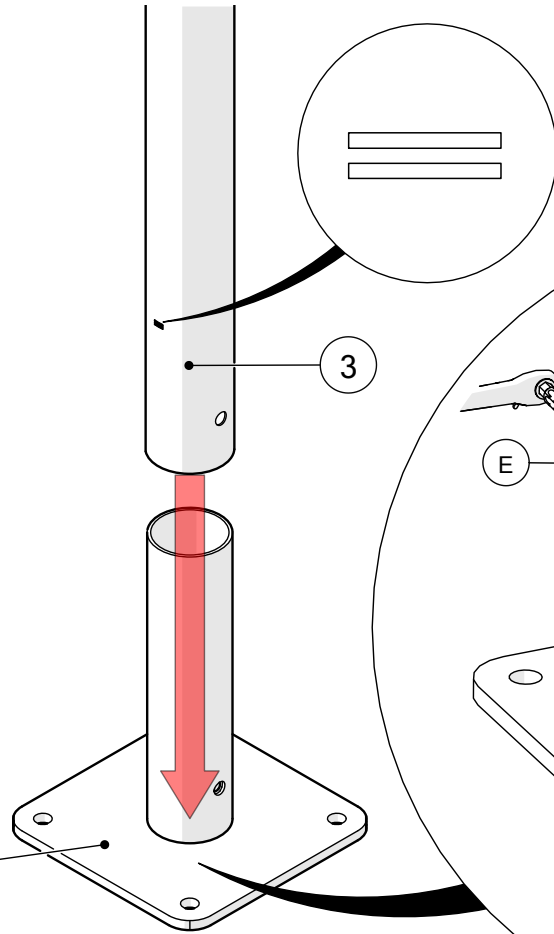
1.1



x2



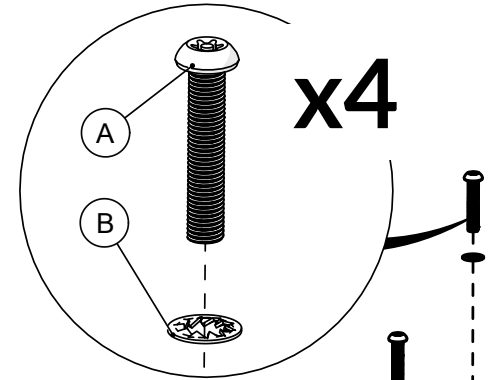
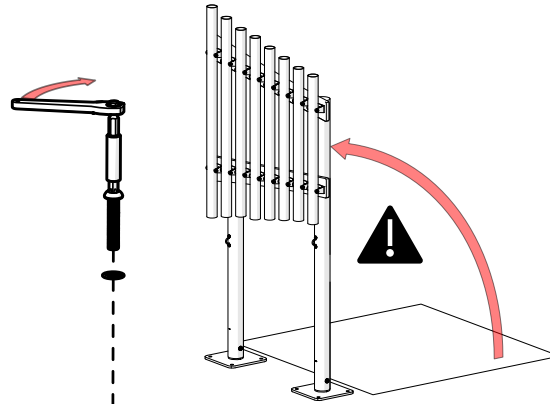
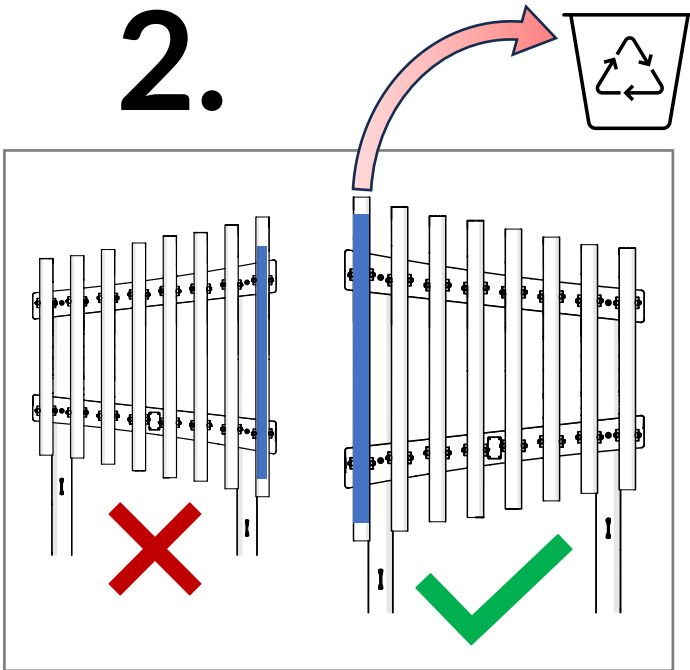
x2 TX45


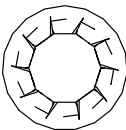


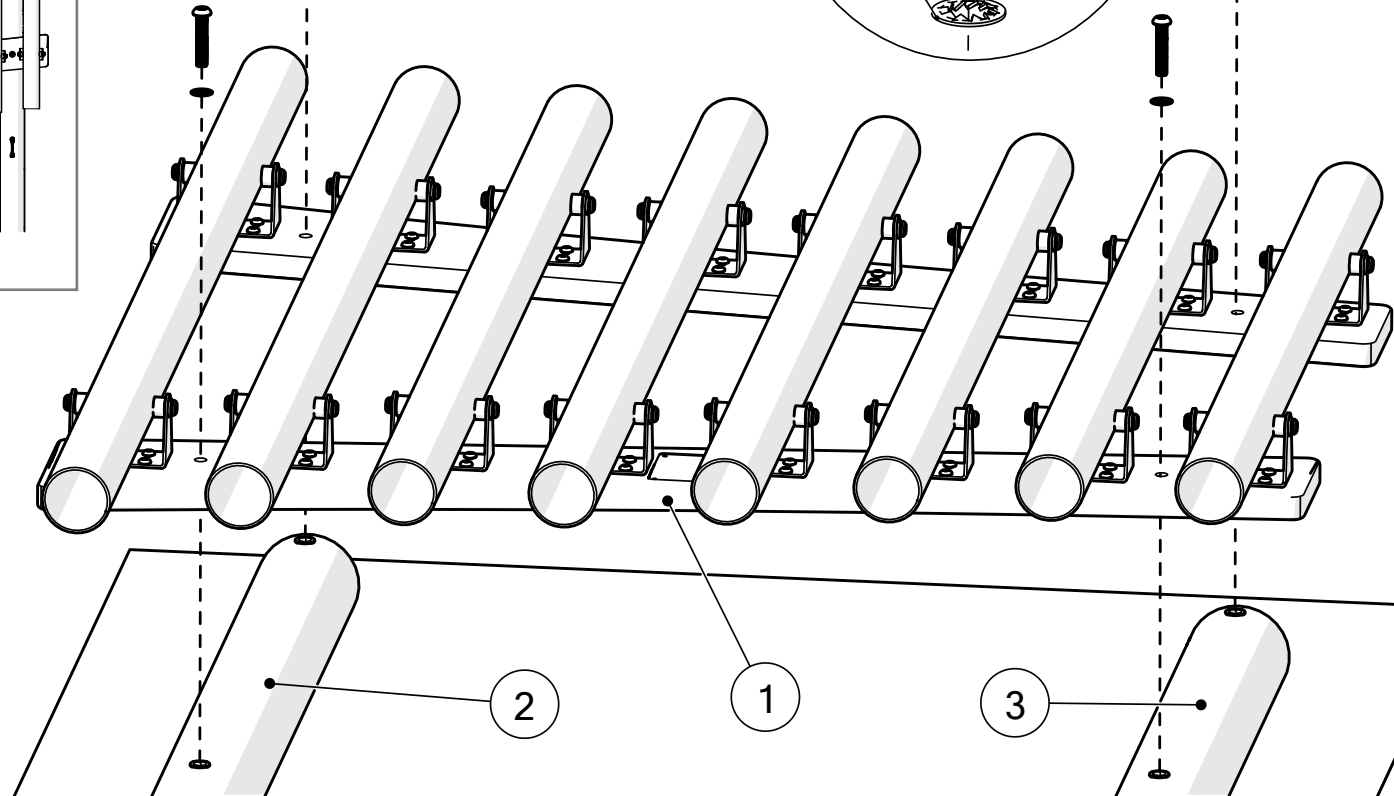
1.2

E		x2
F		x2

2.



A		x4
B		x4



3. x2

Surface fixing should not present a hazard



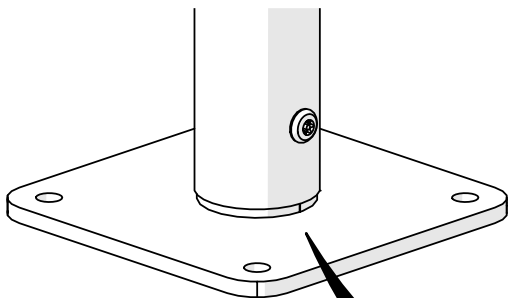
Refer to your local Health & Safety standards

G		x8
H		x8

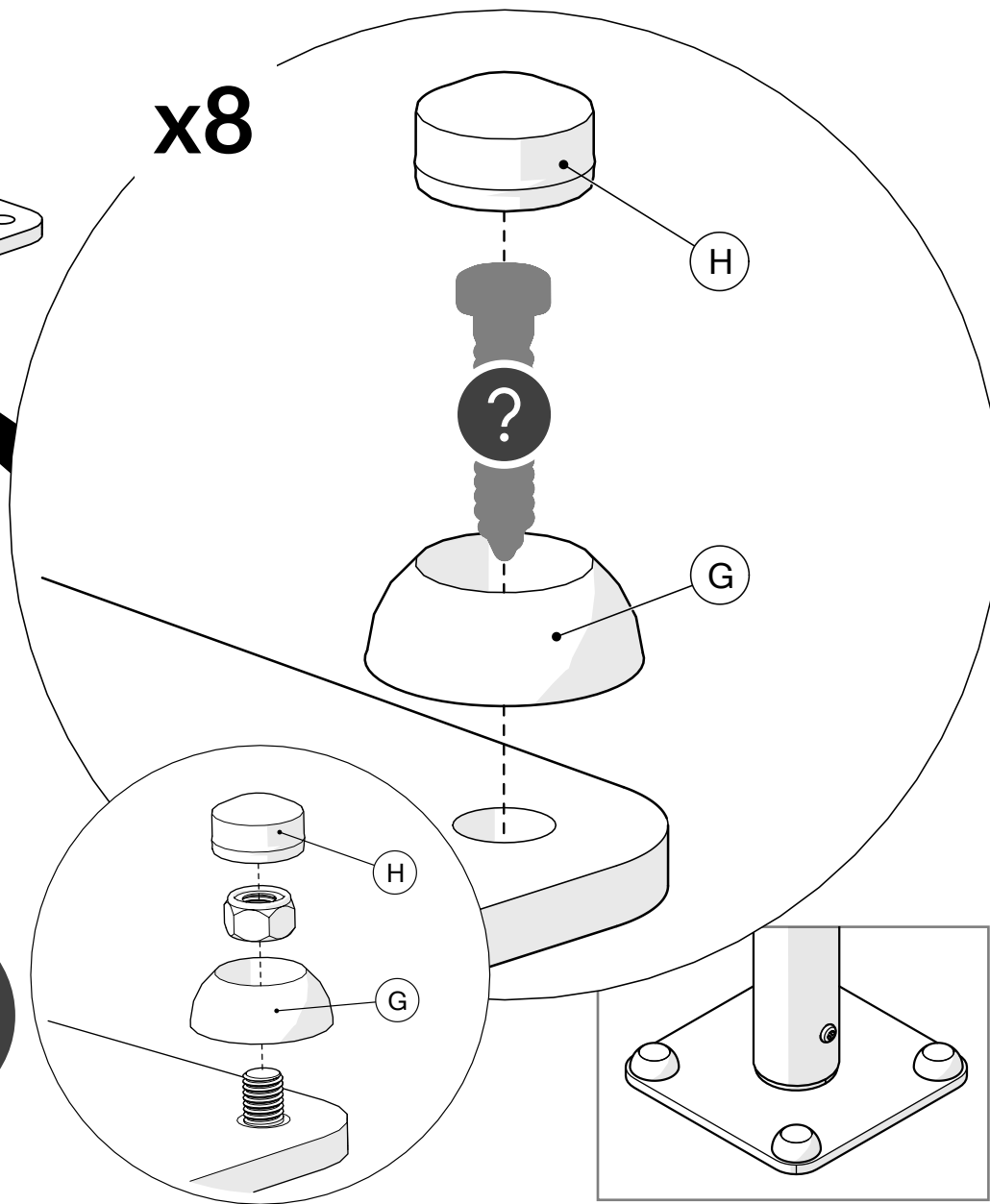
Surface

Example fixing

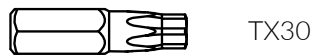
	Wood		x8
	Concrete		x8
	Brick		x8



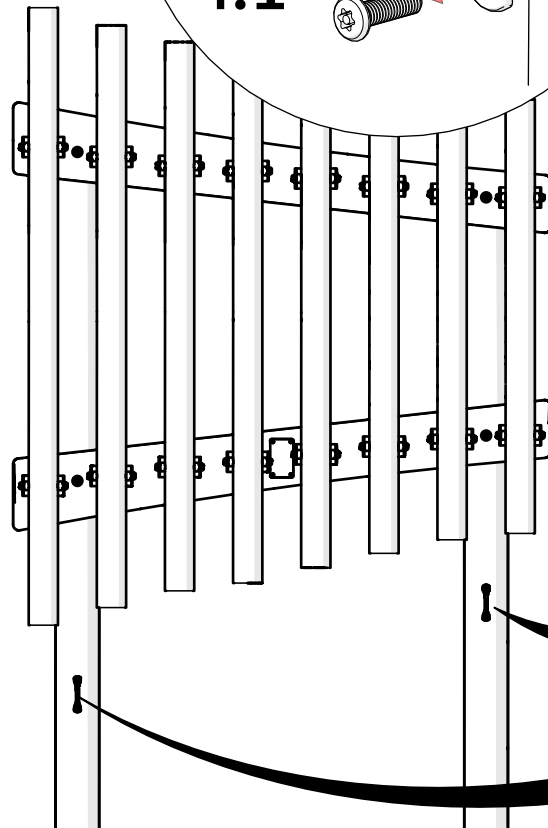
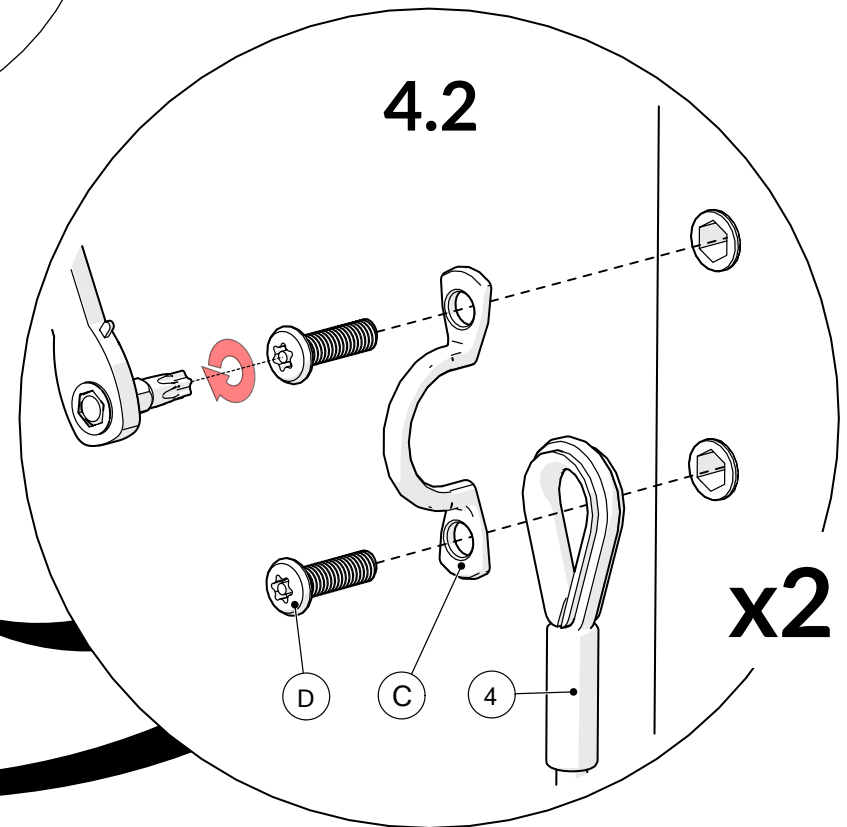
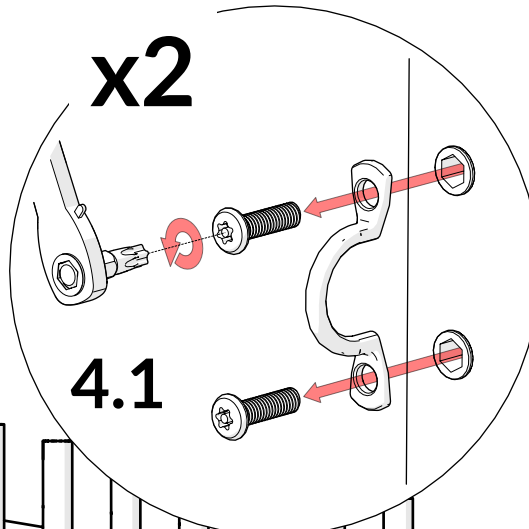
x8

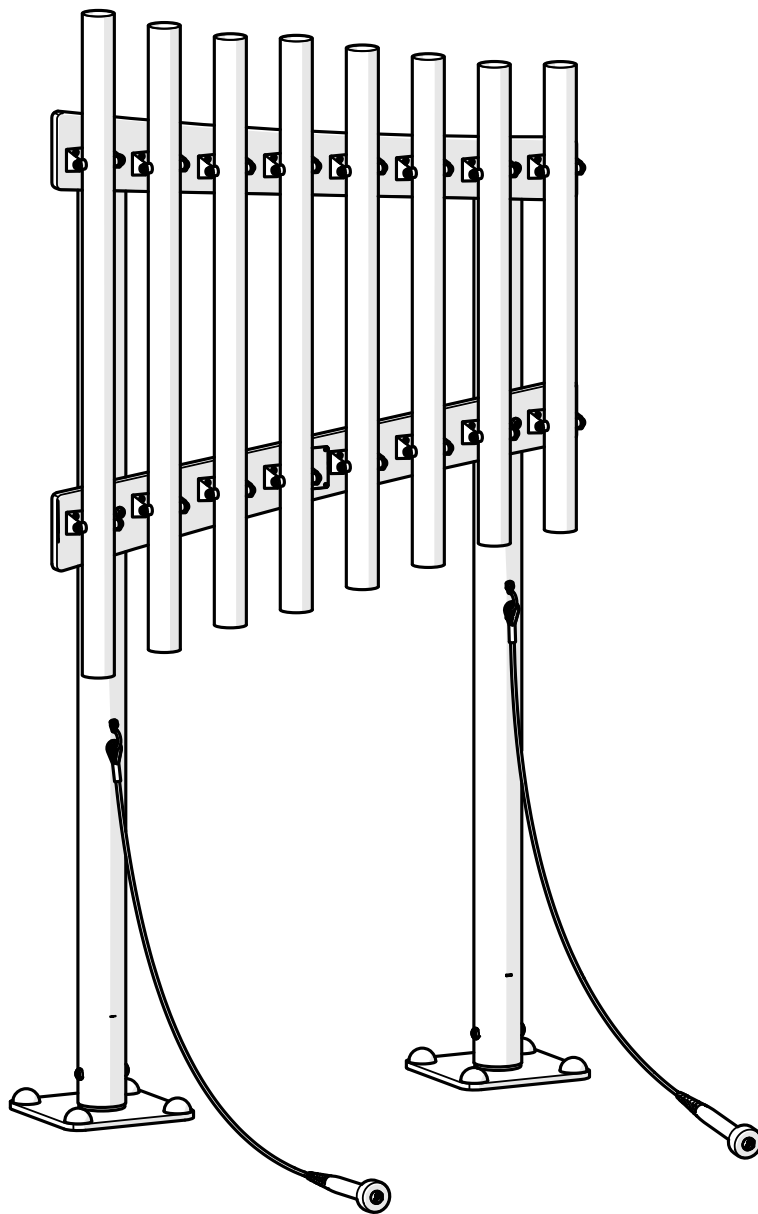


4.



4		x2
C		x2
D		x4





percussionplay.com



info@percussionplay.com



UK
[01730 235 180](tel:01730235180)

USA & CAN
[+1 \(866\) 882 9170](tel:+18668829170)

EUR & ROW
[+44 1730 235 180](tel:+441730235180)