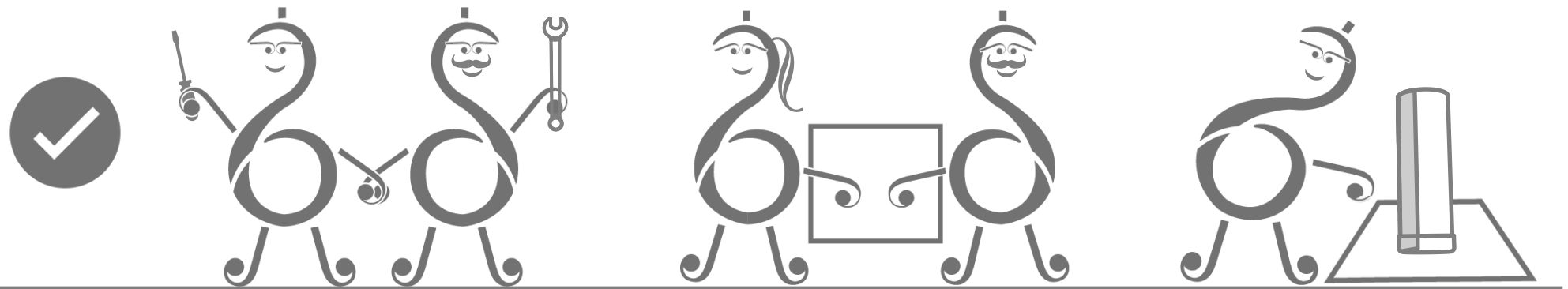
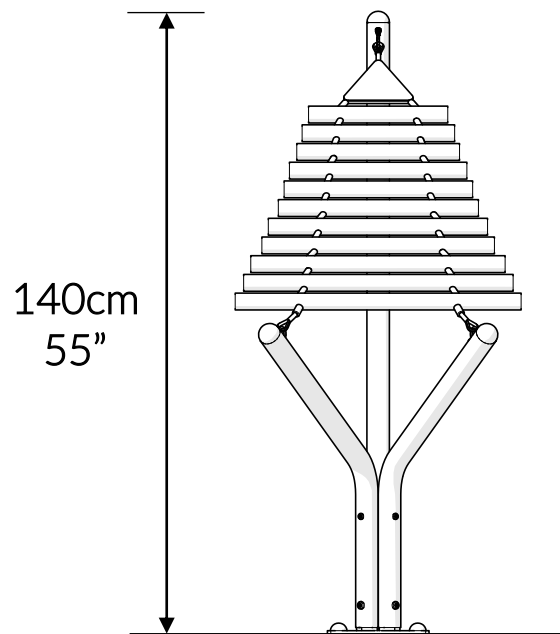
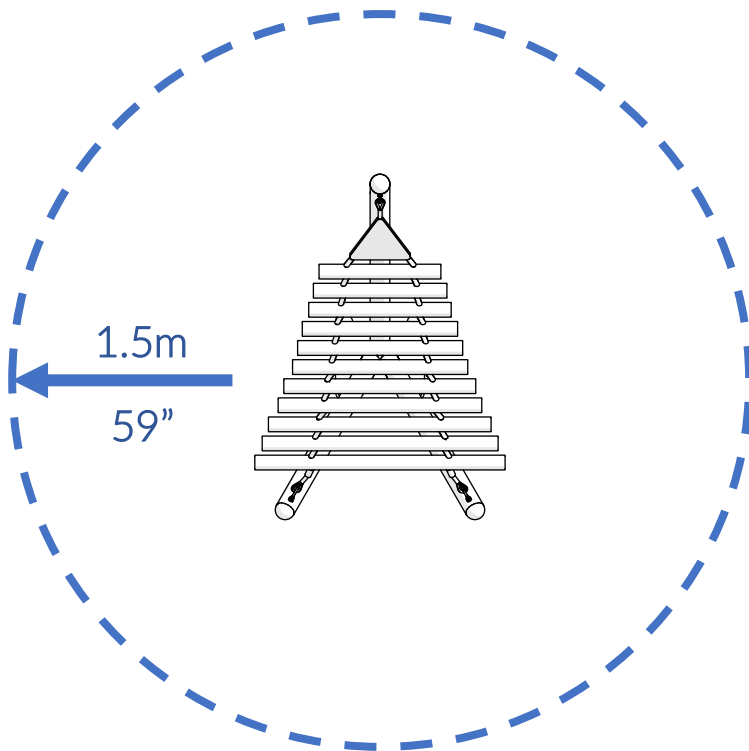


Part Reference	Description
PP-HARM-SU	Harmony - (Surface Fix)

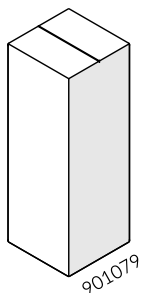




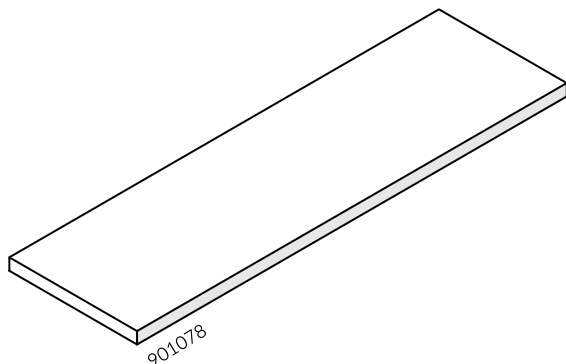


Check Risk Assessment

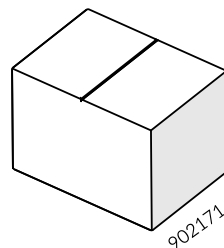
Packages



x1



x1

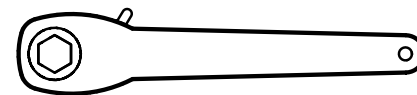


x1

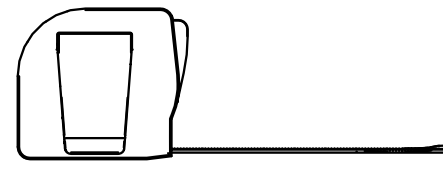
		L	W	H	Weight	Net
x1	901079	80cm / 31.5"	28cm / 11"	28cm / 11"	10kg / 22lbs	
x1	901078	185cm / 73"	55cm / 21.5"	5cm / 2"	12kg / 26.5lbs	
x1	902171	32cm / 12.5"	23cm / 9"	23cm / 9"	6kg / 13lbs	

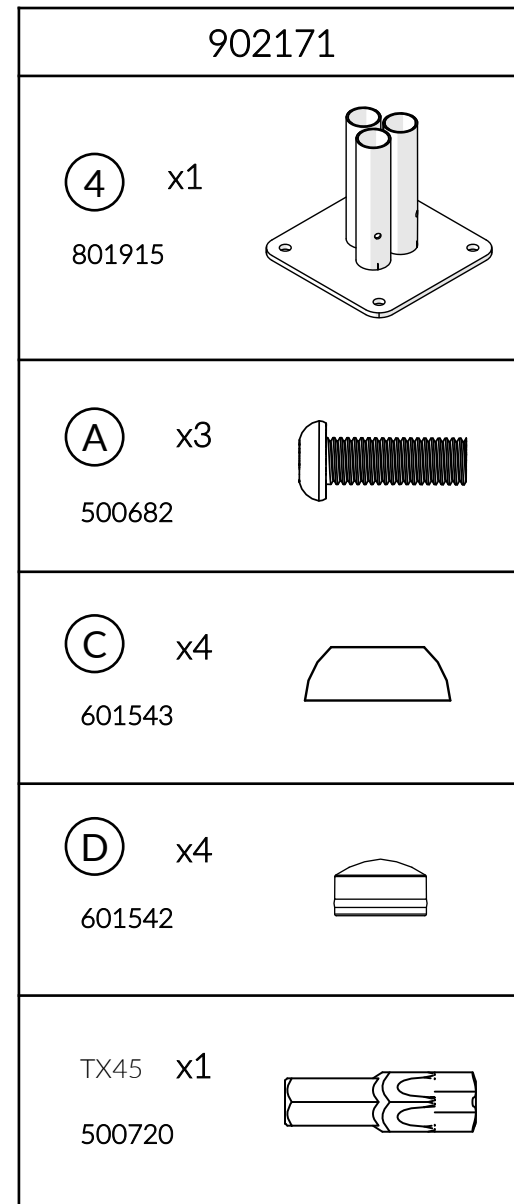
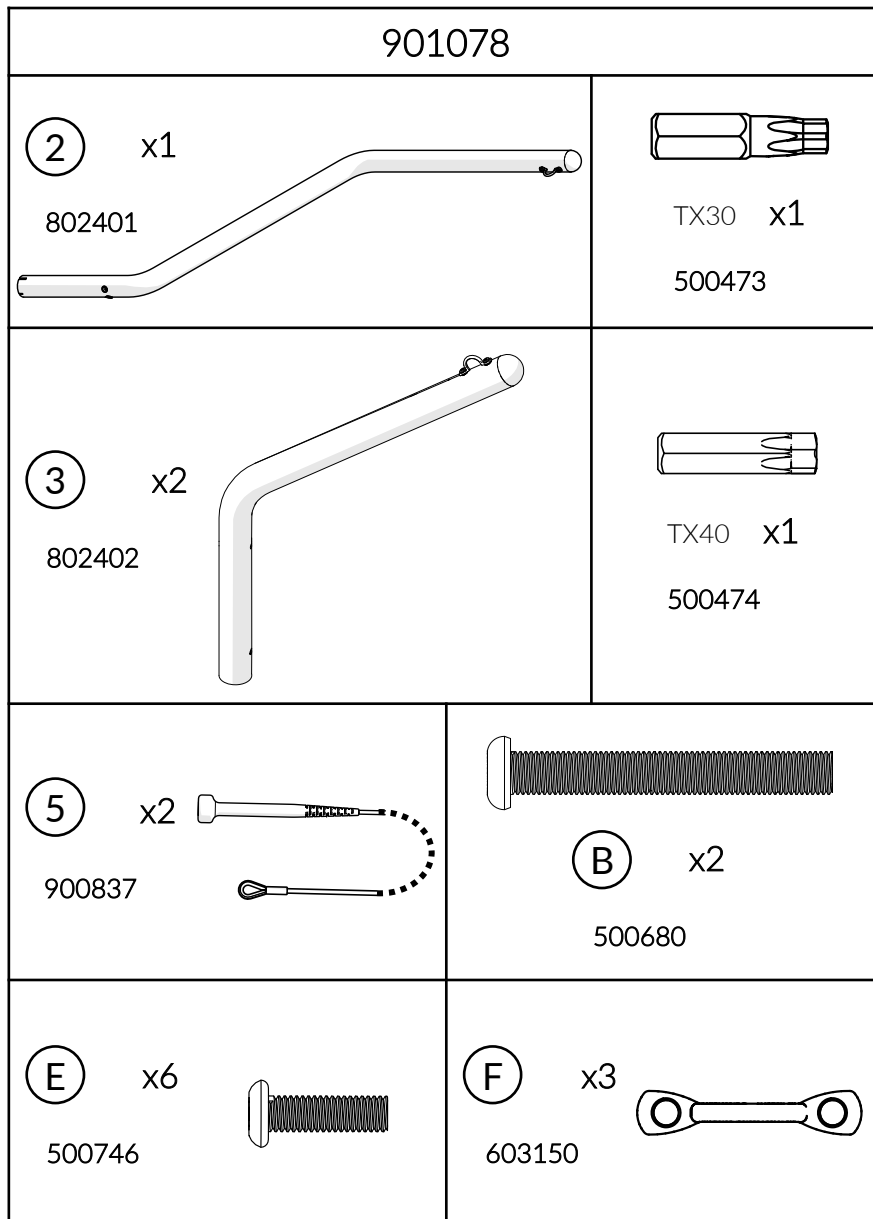
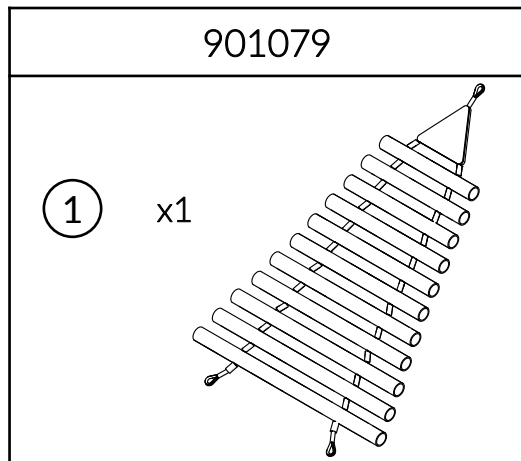
Tools required (not supplied)

¼" Bit Driver Ratchet



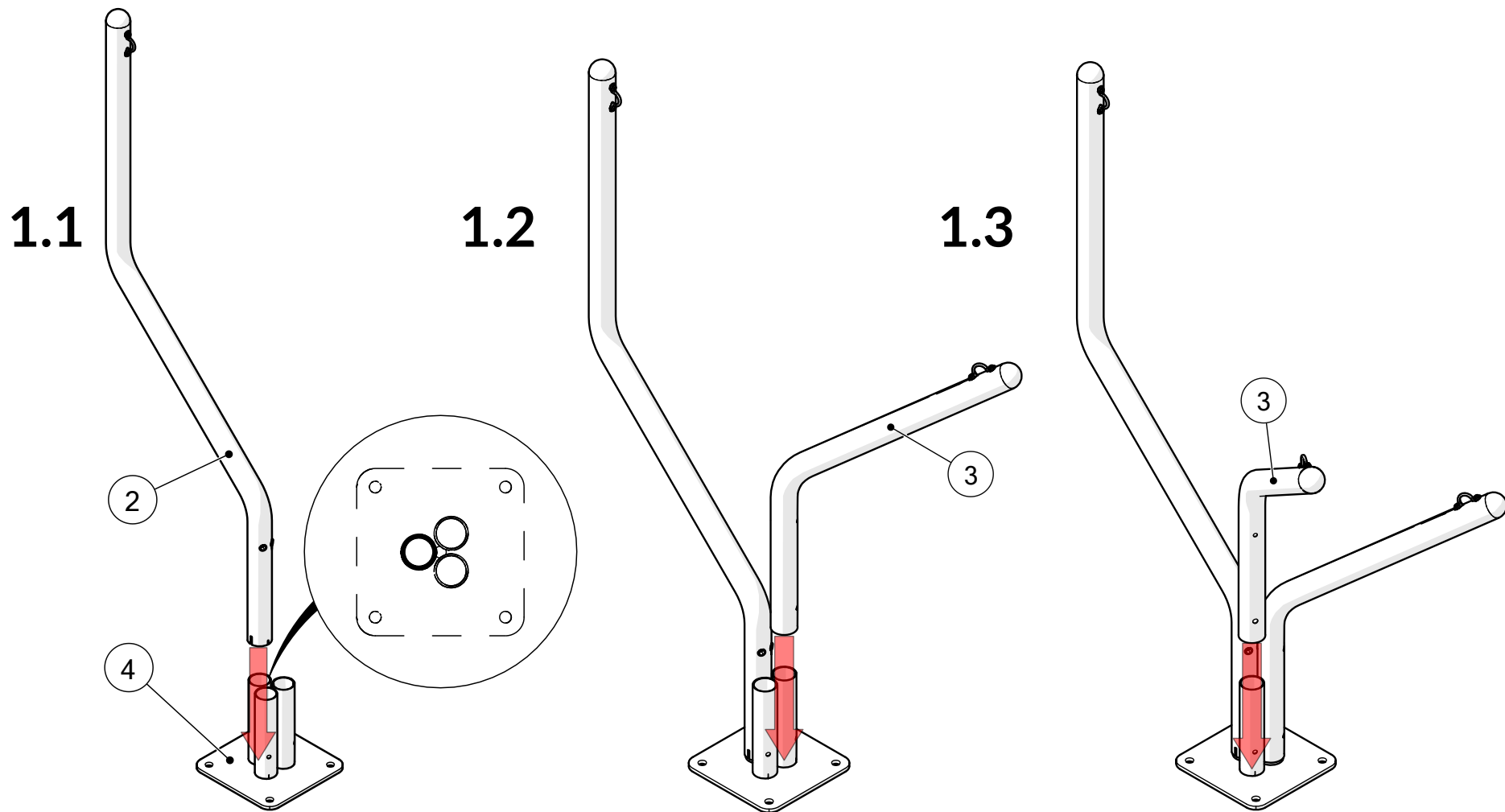
Tape Measure



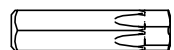
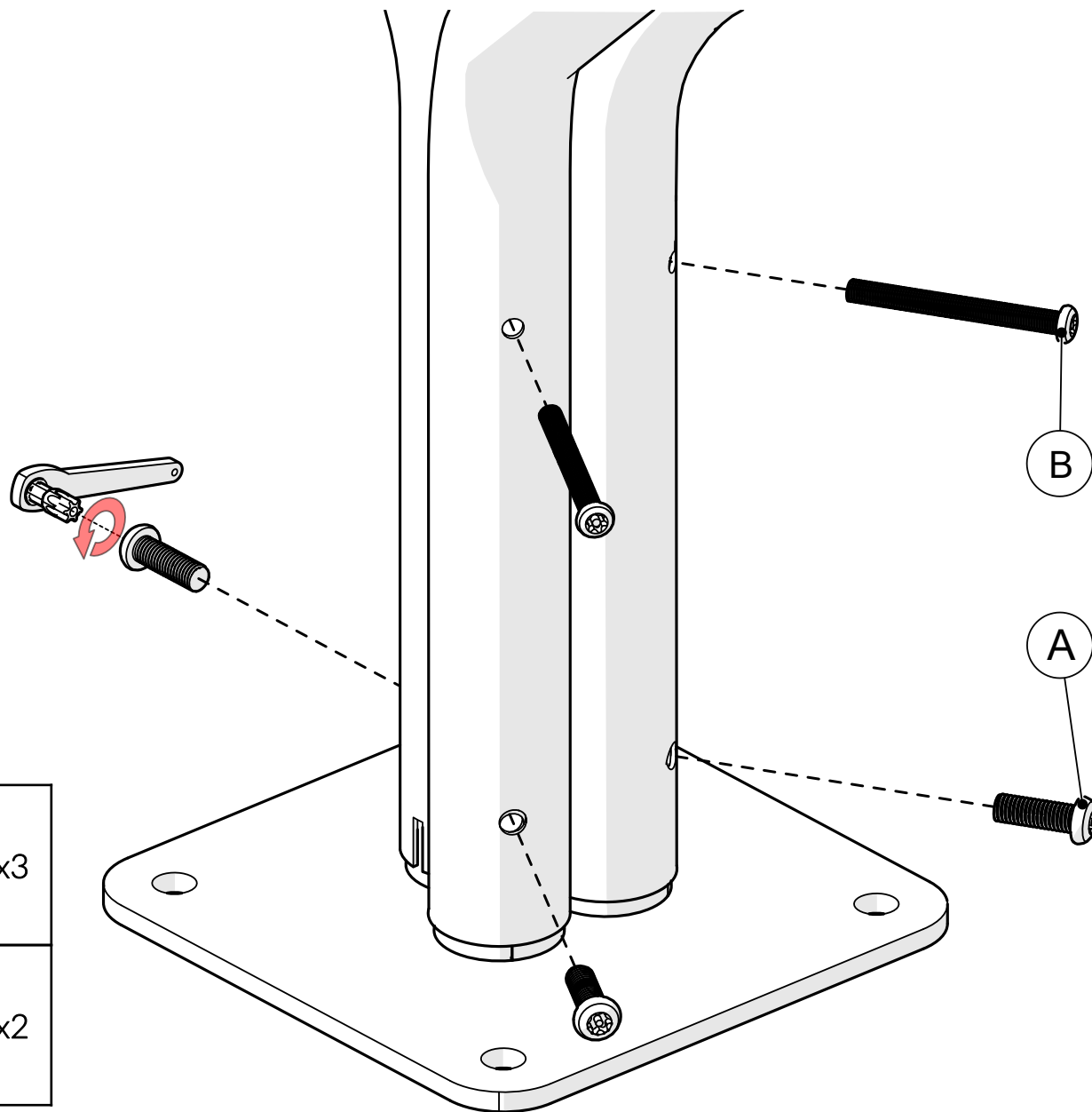


Not to scale

1.



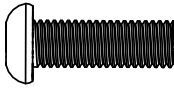

2.



TX40



TX45



A		x3
B		x2

3.

Surface fixing should not present a hazard




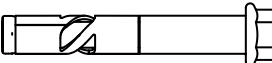

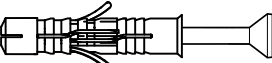


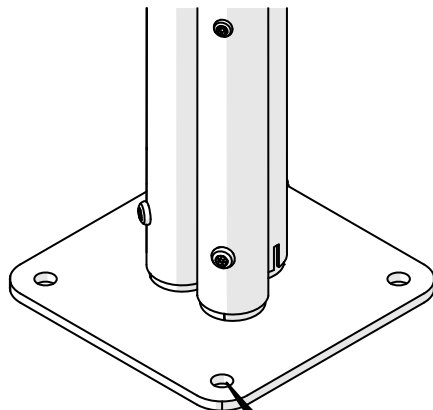
Refer to your local Health & Safety standards

C		x4
D		x4

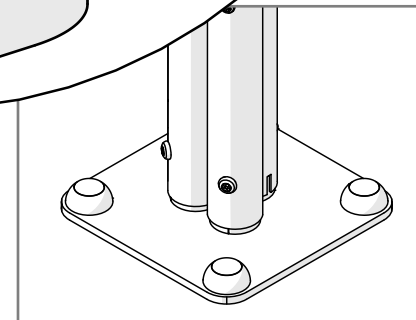
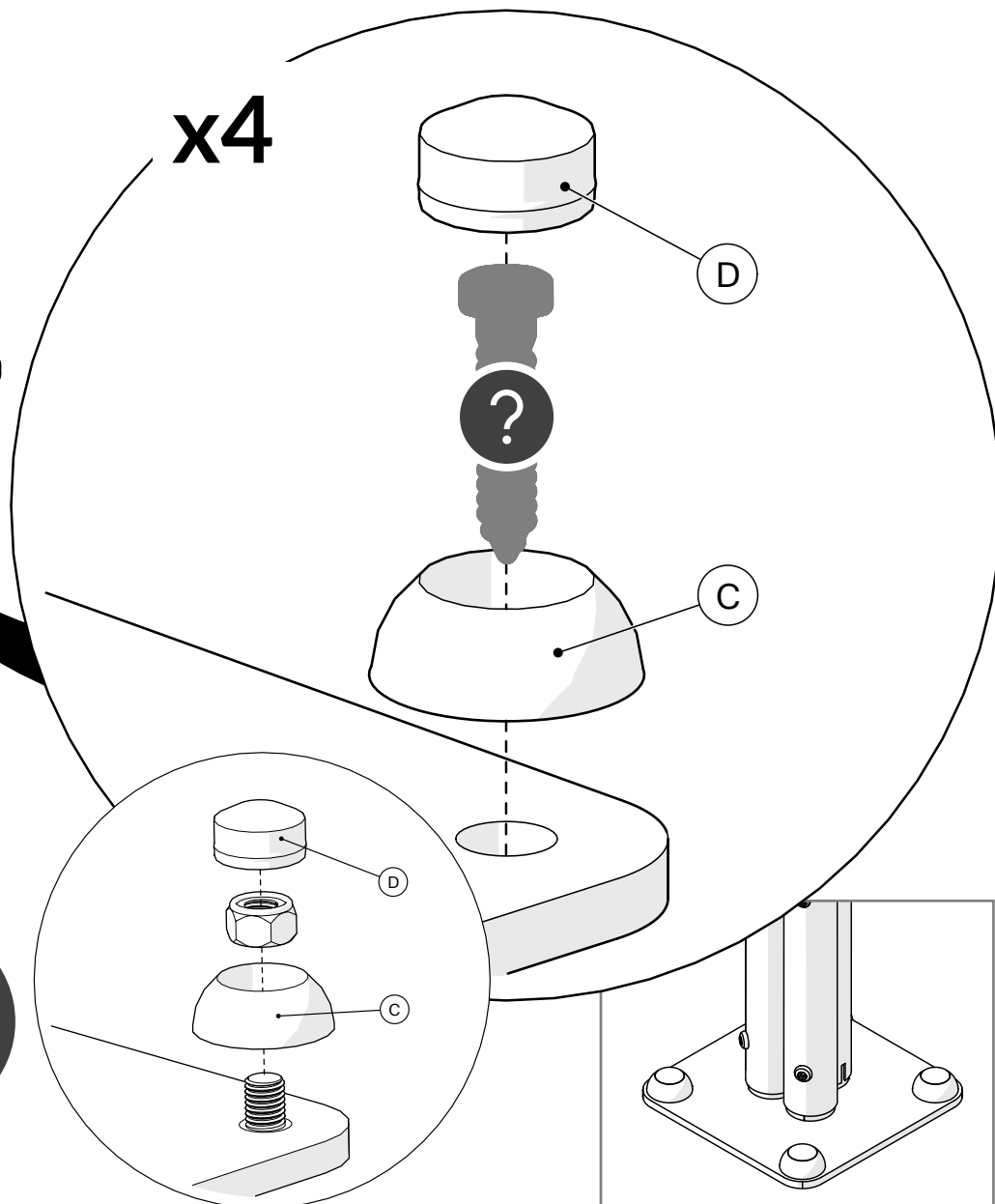
Surface

Example fixing

	Wood		x4
	Concrete		x4
	Brick		x4



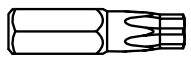
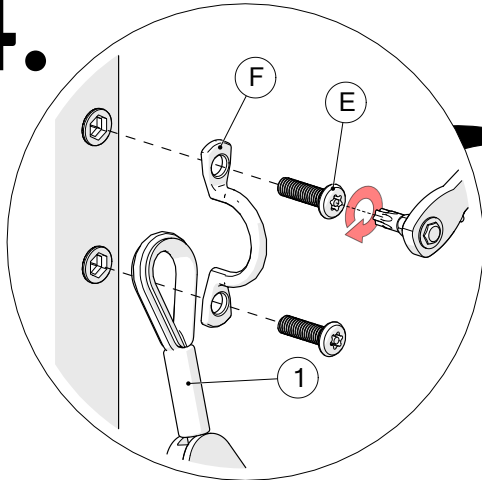
x4





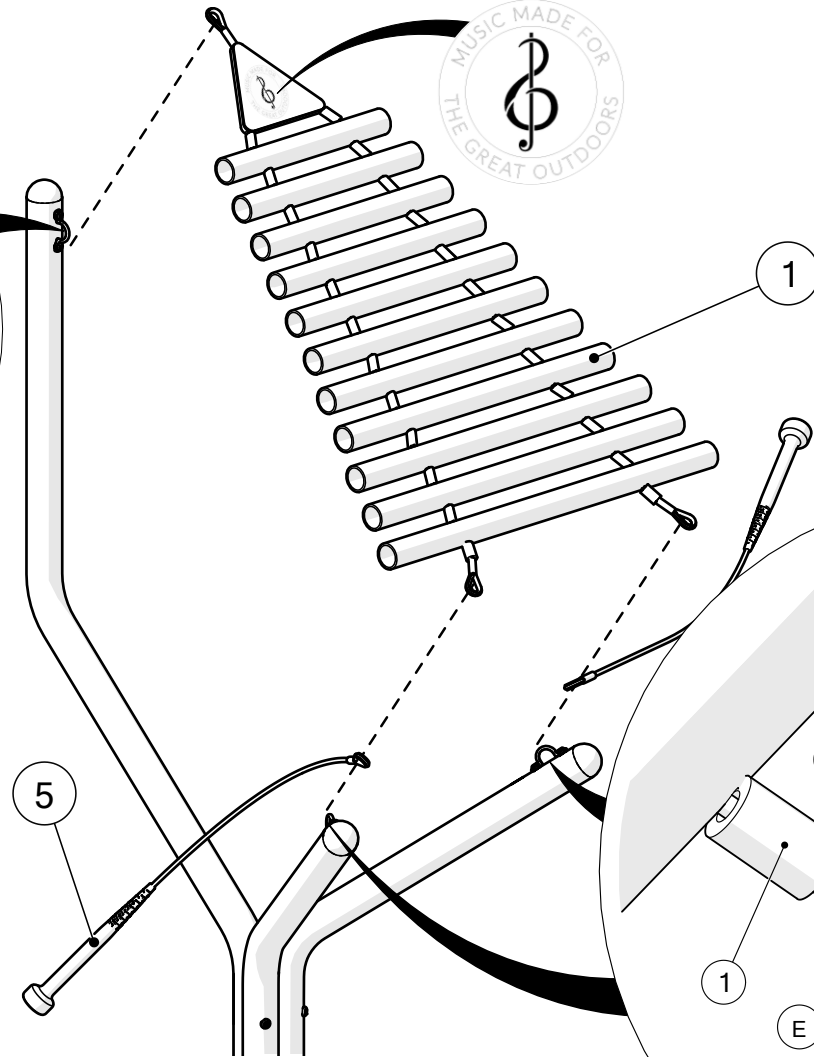
4.

4.2

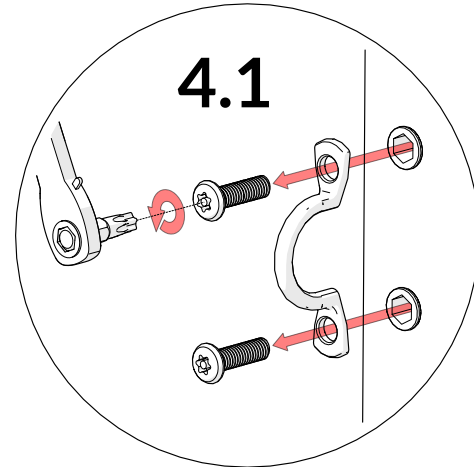


TX30

5		x2
E		x6
F		x3

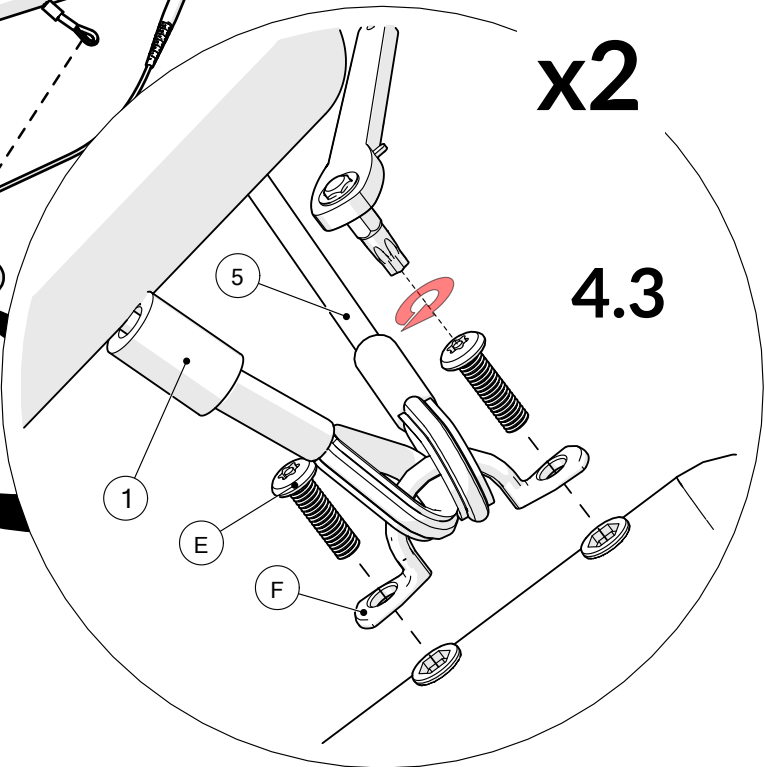


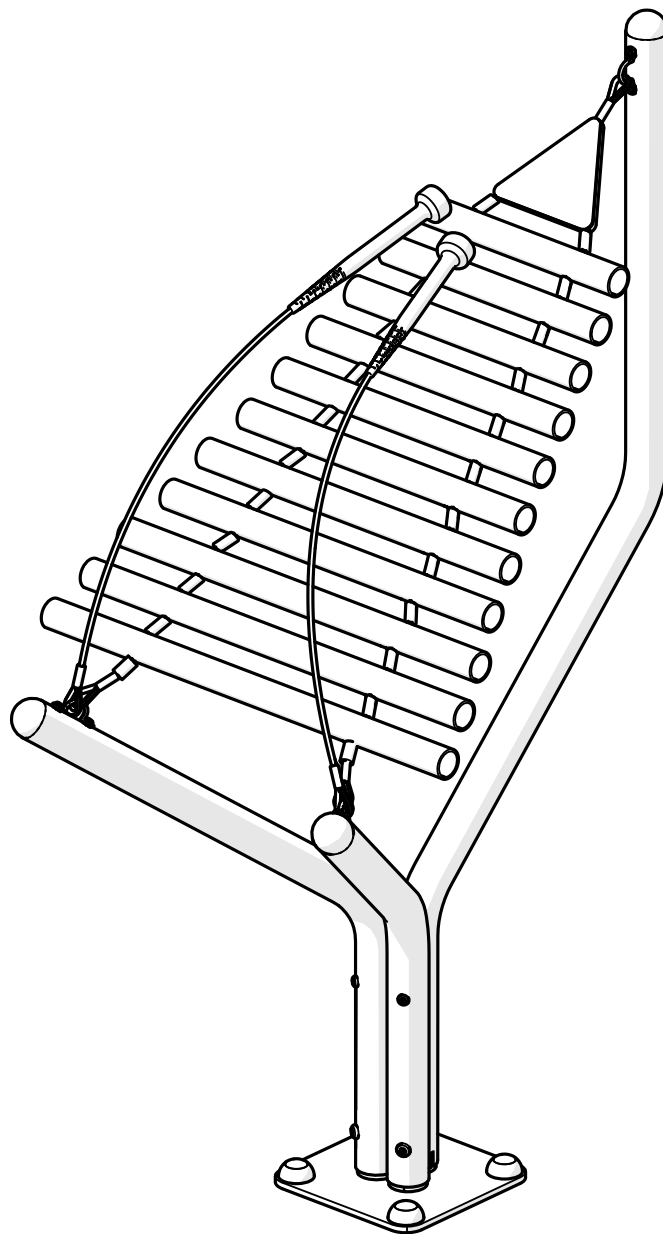
4.1



x2

4.3





percussionplay.com



info@percussionplay.com



UK
[01730 235 180](tel:01730235180)

USA & CAN
[+1 \(866\) 882 9170](tel:+18668829170)

EUR & ROW
[+44 1730 235 180](tel:+441730235180)