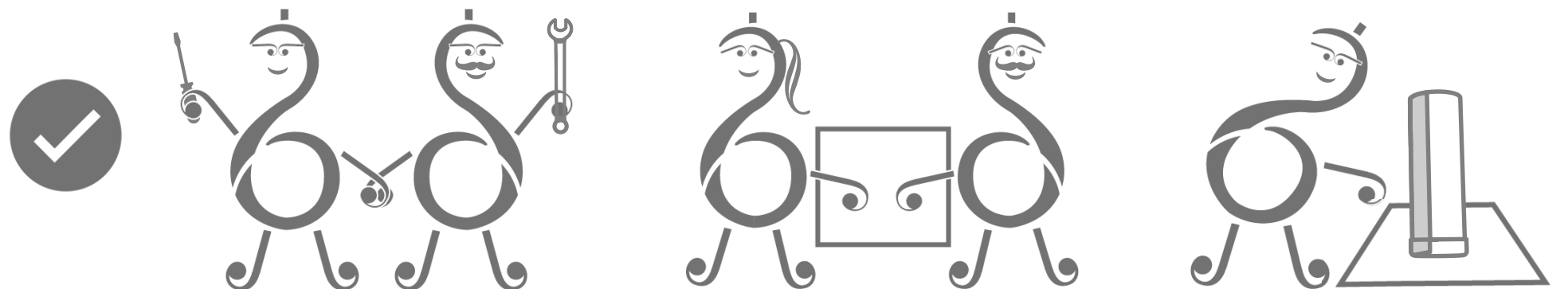
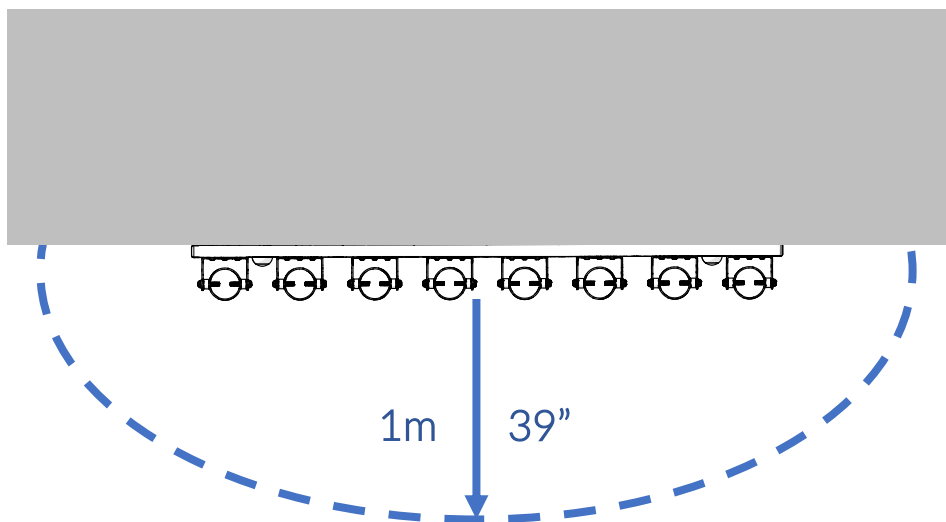


Part Reference	Description
PP-FREC-SO-DI-WA	C5-C6 Soprano Diatonic - 8 notes (Wall Fix)

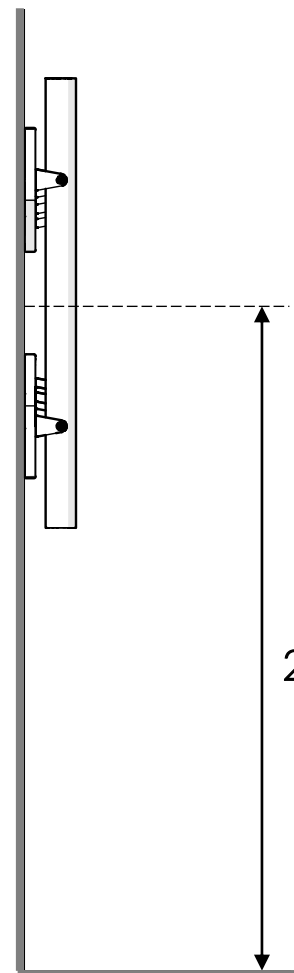




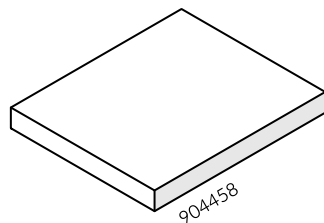
Check Risk Assessment



Confirm
height with
client



Packages

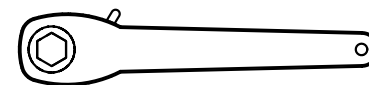


x1

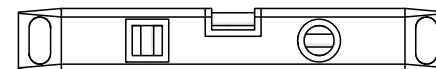
		L	W	H	Weight	Net
x1	904458	95cm / 37.5"	80cm / 31.5"	10cm / 4"	16kg / 35lbs	

Tools required (not supplied)

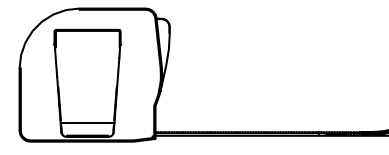
¼" Bit Driver Ratchet



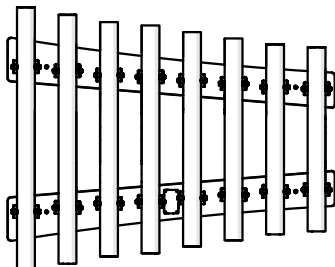

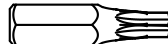
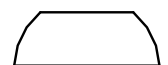
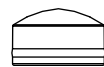
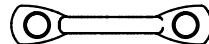
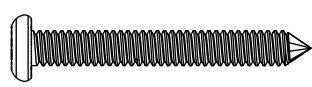
Spirit level



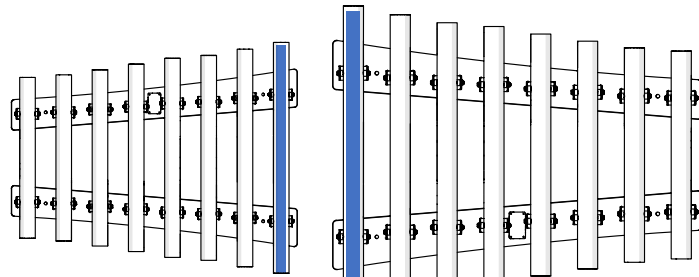
Tape Measure



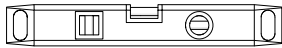
Not to scale

904458	
<p>① x1</p> 	
<p>② x2</p> <p>900837</p> 	<p>TX25 x1</p> <p>500472</p> 
	<p>Ⓐ x4</p> <p>601540</p> 
	<p>Ⓑ x4</p> <p>601541</p> 
	<p>Ⓒ x2</p> <p>603150</p> 
	<p>Ⓓ x4</p> <p>500448</p> 

1.



x4

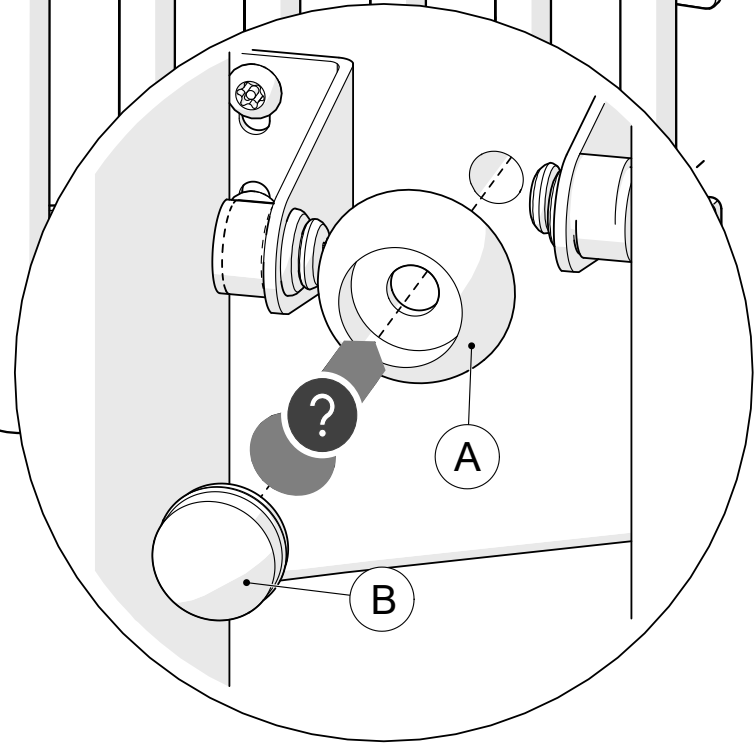
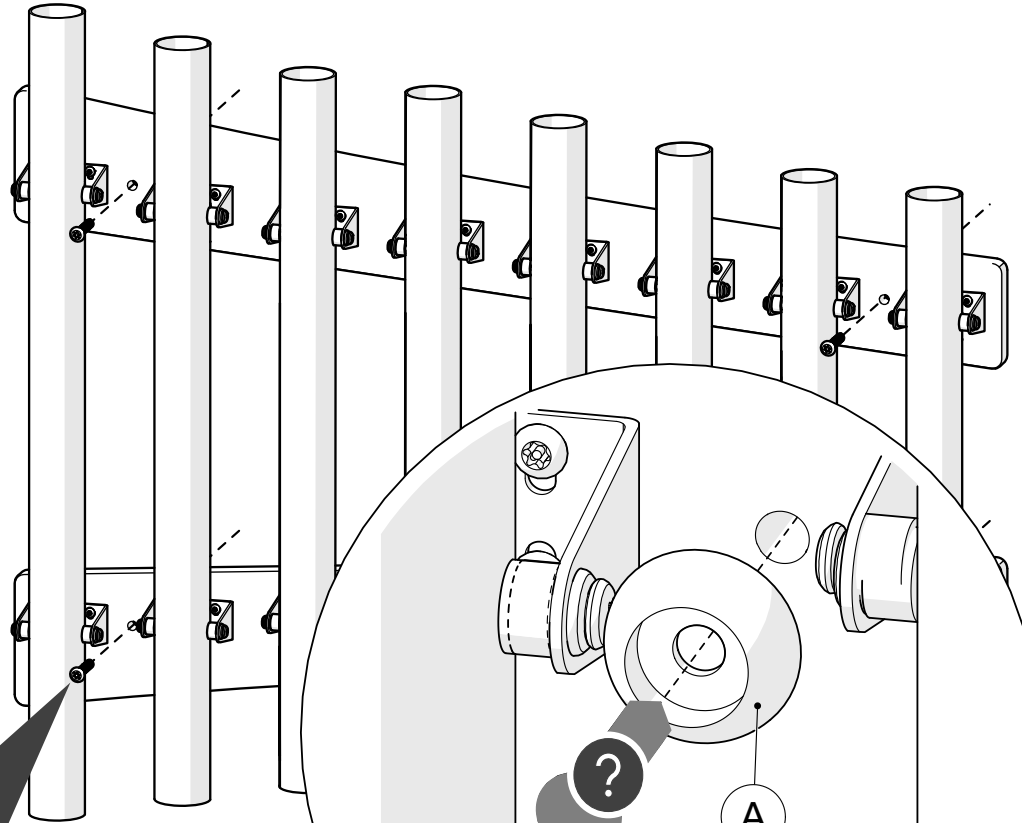


A		x4
B		x4

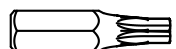
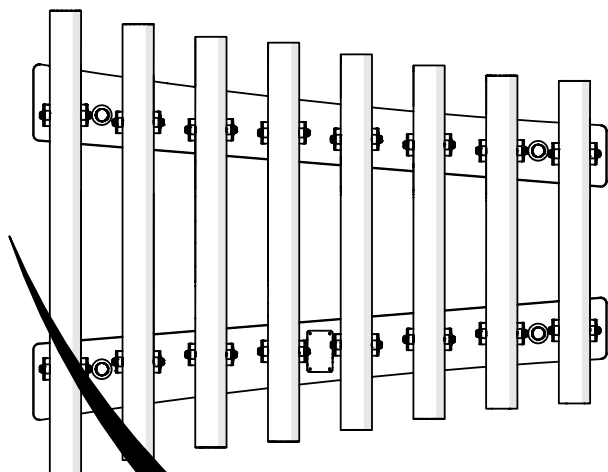
Wall

Example fixing

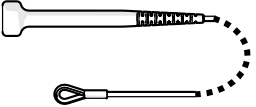
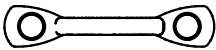

	Wood		x4
	Concrete		x4
	Brick		x4

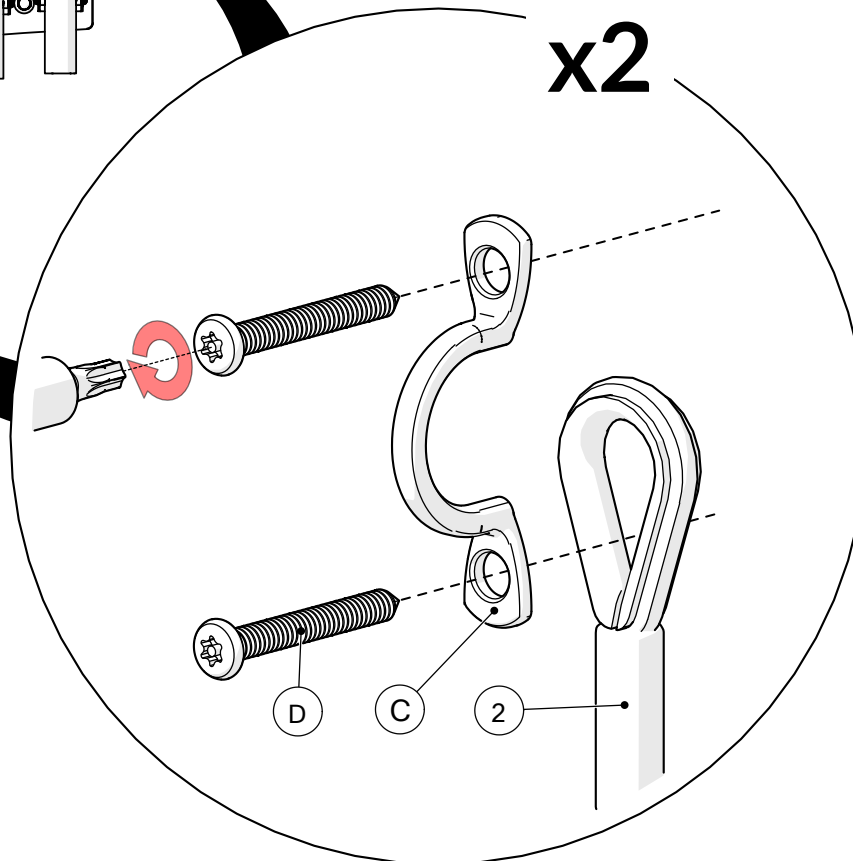


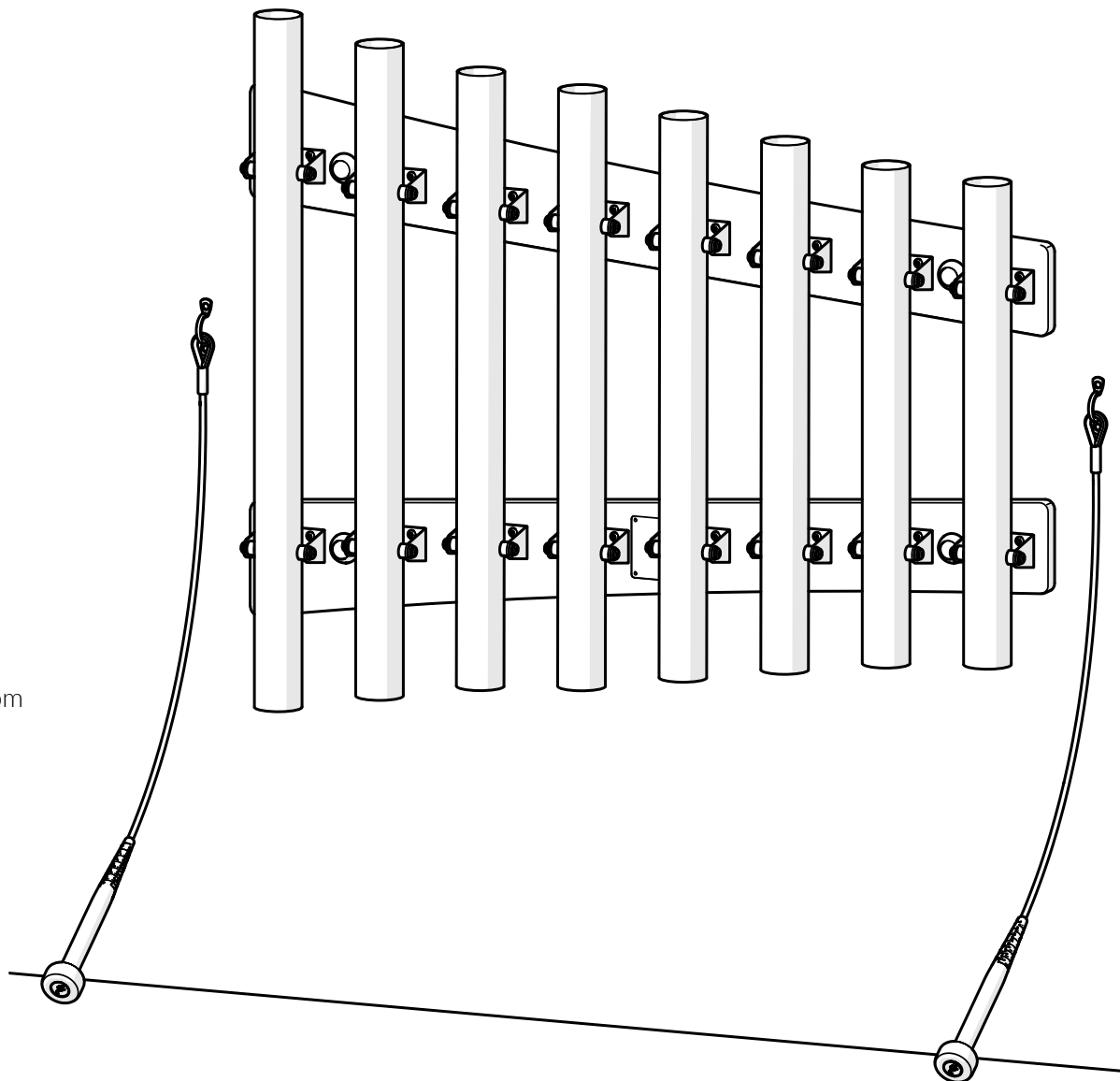
2.



TX25

2		x2
C		x2
D		x4





percussionplay.com



info@percussionplay.com



UK
[01730 235 180](tel:01730235180)

USA & CAN
[+1 \(866\) 882 9170](tel:+18668829170)

EUR & ROW
[+44 1730 235 180](tel:+441730235180)