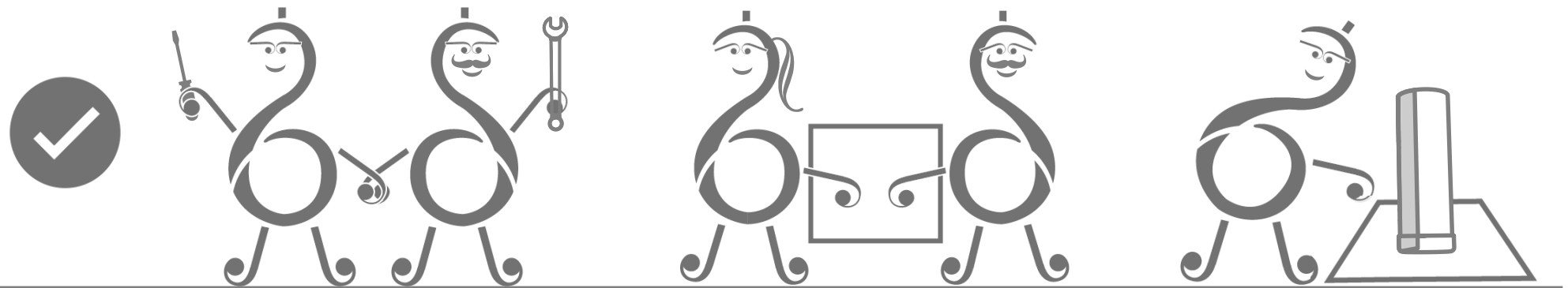
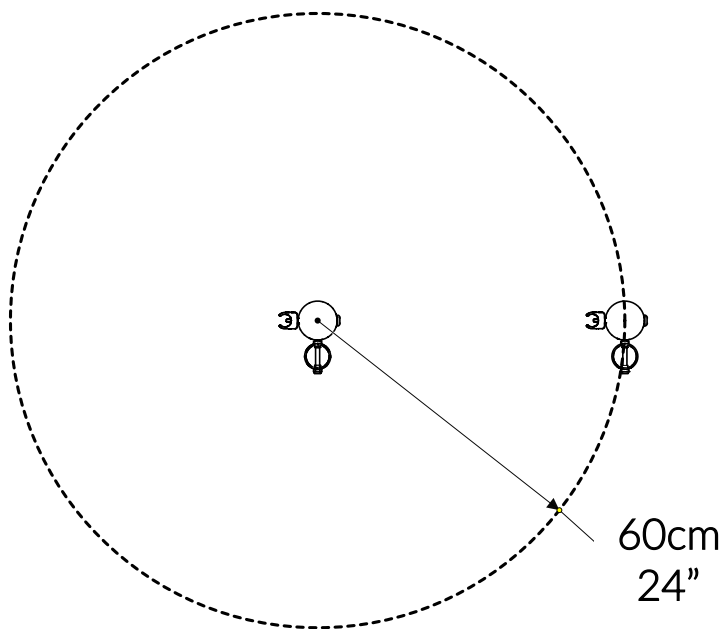
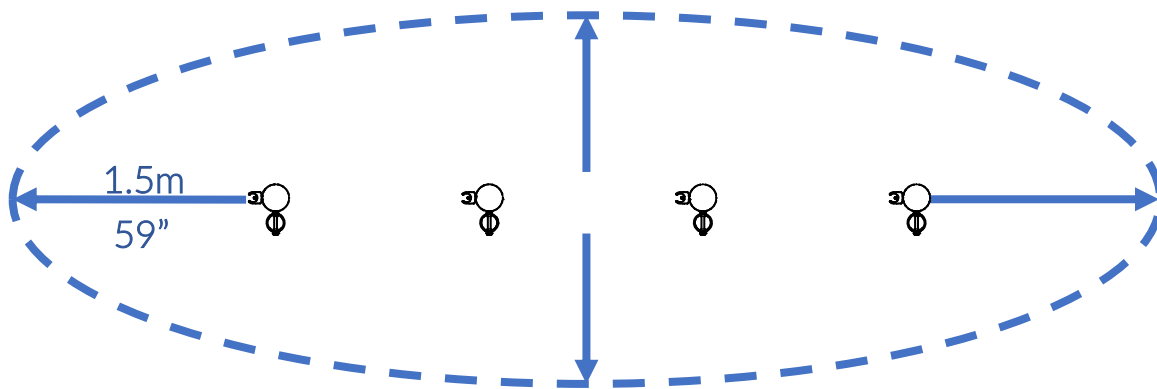


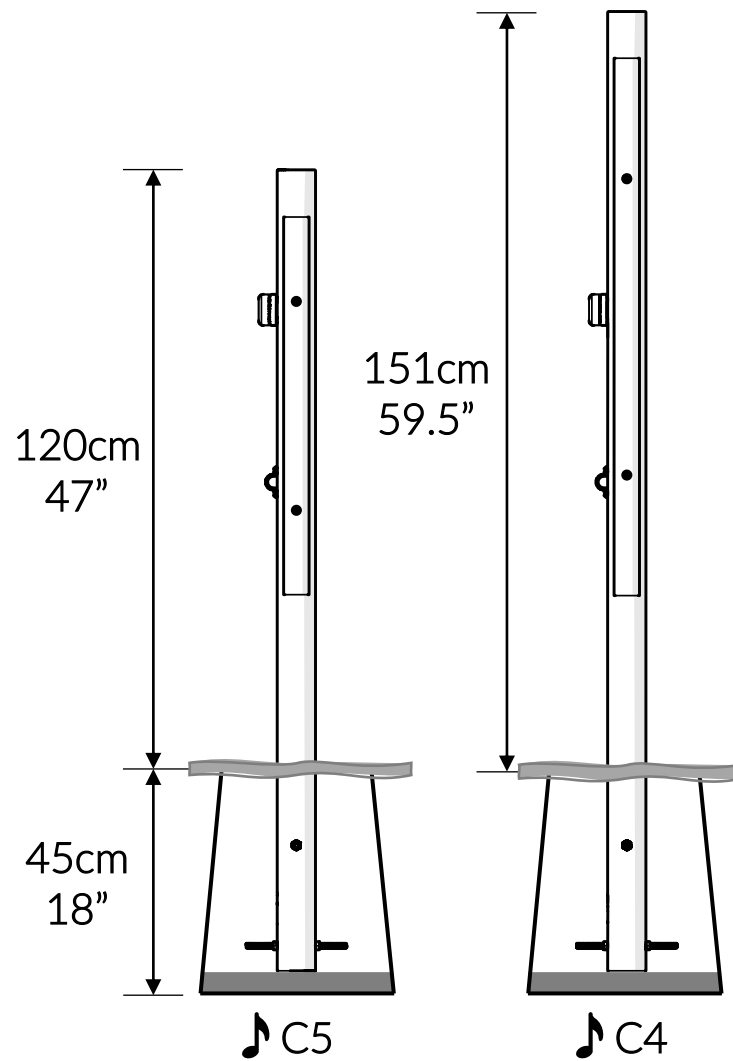
Part Reference	Description
PP-CALY-S4-QT-GR	Calypso Chimes Quartet (Set 4) (Ground Fix)



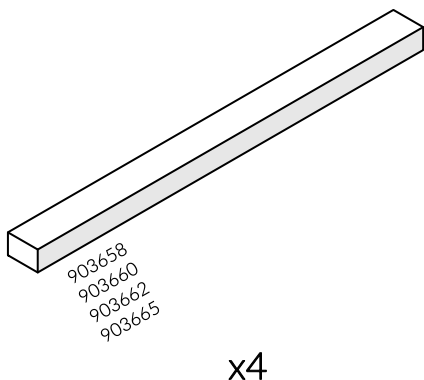




Check Risk Assessment



### Packages



		L	W	H	Weight	Net
x1	903658	194cm / 76"	15cm / 6"	10cm / 4"	7kg / 15.5lbs	
x1	903660					
x1	903662					
x1	903665					

### Tools required (not supplied)

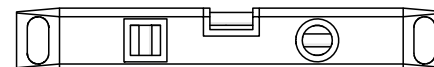
¼" Bit Driver Ratchet



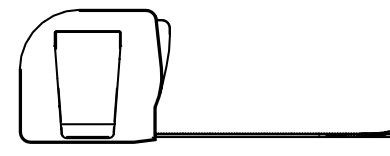
11/16" / 17mm Spanner

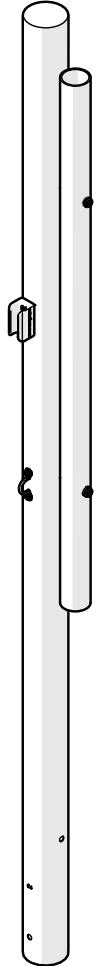


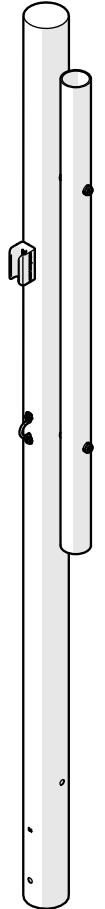


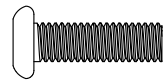
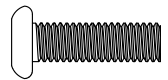
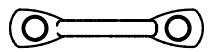
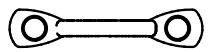
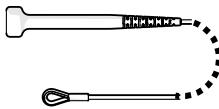
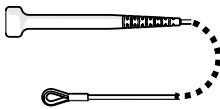




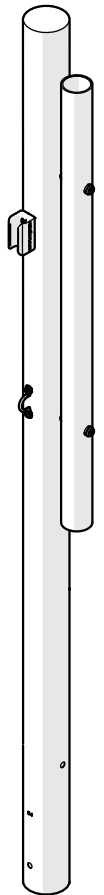


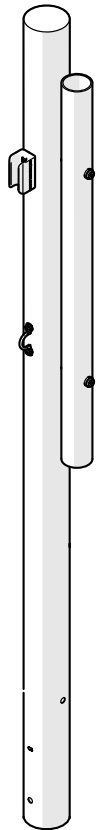


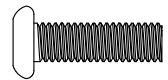
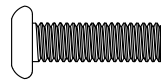
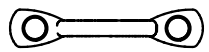
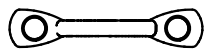
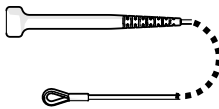
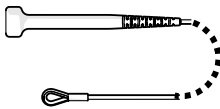


Spirit level



Tape Measure

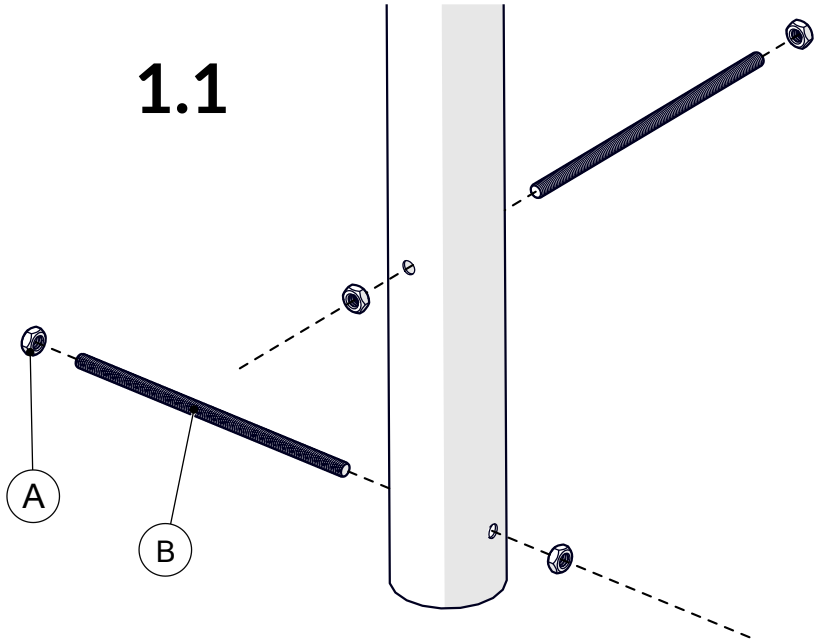


903658			903660		
 <p>① x1</p> <p>♩ C4</p>	<p>Ⓐ x4</p> <p>500457</p> 	<p>Ⓑ x2</p> <p>500627</p> 	 <p>② x1</p> <p>♩ E4</p>	<p>Ⓐ x4</p> <p>500457</p> 	<p>Ⓑ x2</p> <p>500627</p> 
	<p>Ⓒ x2</p> <p>500746</p> 			<p>Ⓒ x2</p> <p>500746</p> 	
	<p>Ⓓ x1</p> <p>603150</p> 			<p>Ⓓ x1</p> <p>603150</p> 	
	<p>⑤ x1</p> <p>900837</p> 			<p>⑤ x1</p> <p>900837</p> 	
	<p>x1</p> <p>TX30 500473</p> 			<p>x1</p> <p>TX30 500473</p> 	

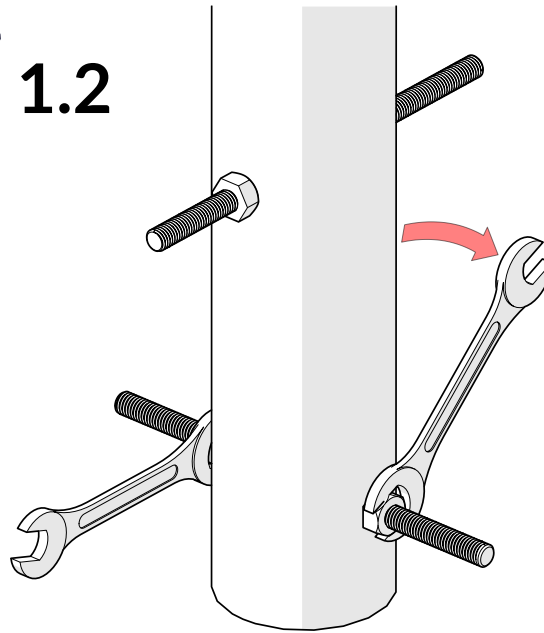
903662			903665		
 <p>③ x1</p> <p>G4</p>	<p>Ⓐ x4</p> <p>500457</p> 	<p>Ⓑ x2</p> <p>500627</p> 	 <p>④ x1</p> <p>C5</p>	<p>Ⓐ x4</p> <p>500457</p> 	<p>Ⓑ x2</p> <p>500627</p> 
	<p>Ⓒ x2</p> <p>500746</p> 			<p>Ⓒ x2</p> <p>500746</p> 	
	<p>Ⓓ x1</p> <p>603150</p> 			<p>Ⓓ x1</p> <p>603150</p> 	
	<p>⑤ x1</p> <p>900837</p> 			<p>⑤ x1</p> <p>900837</p> 	
	<p>x1</p> <p>TX30</p> <p>500473</p> 			<p>x1</p> <p>TX30</p> <p>500473</p> 	

# 1. x4

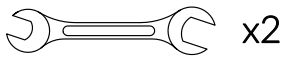
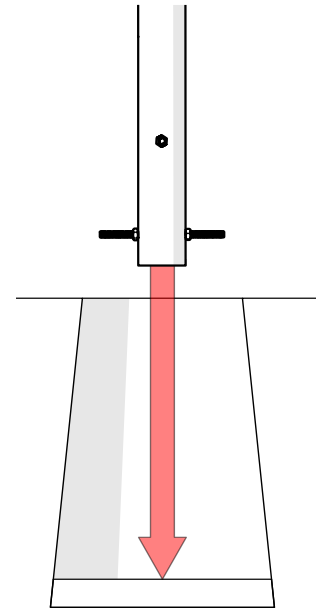
1.1



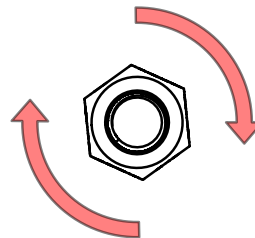
1.2



1.3



A		x16
B		x8

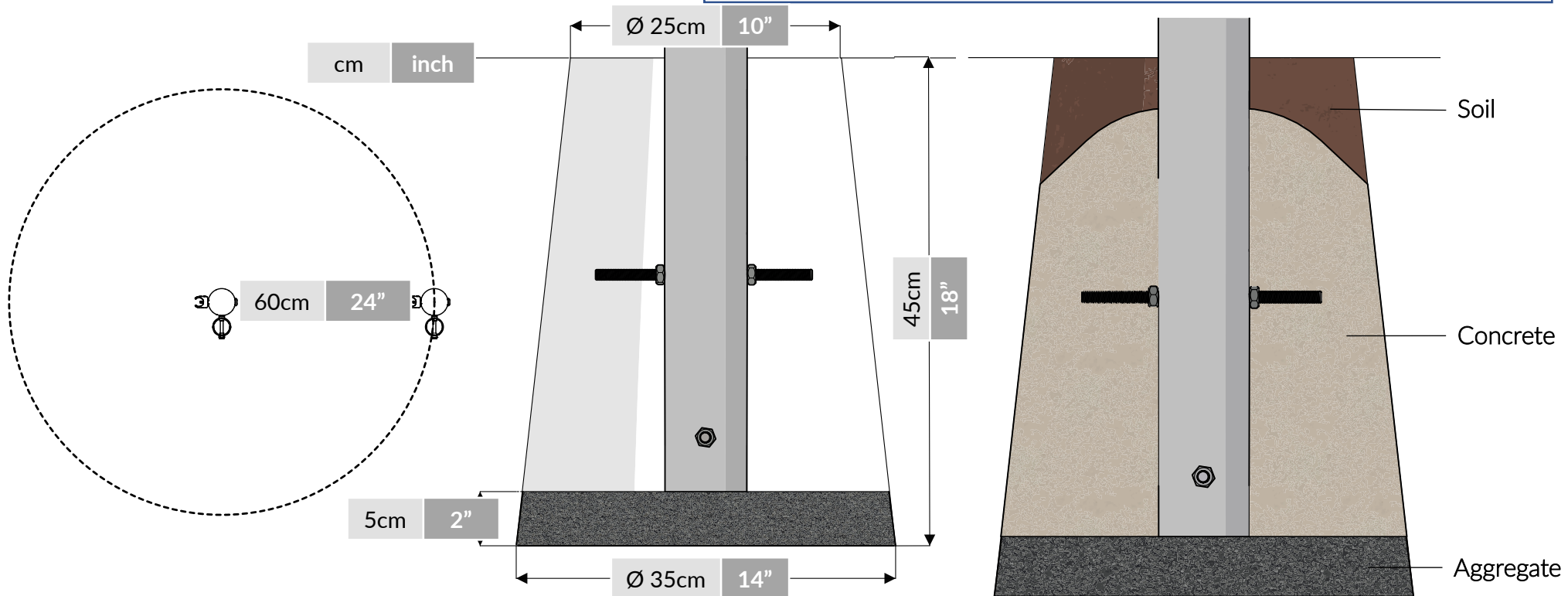
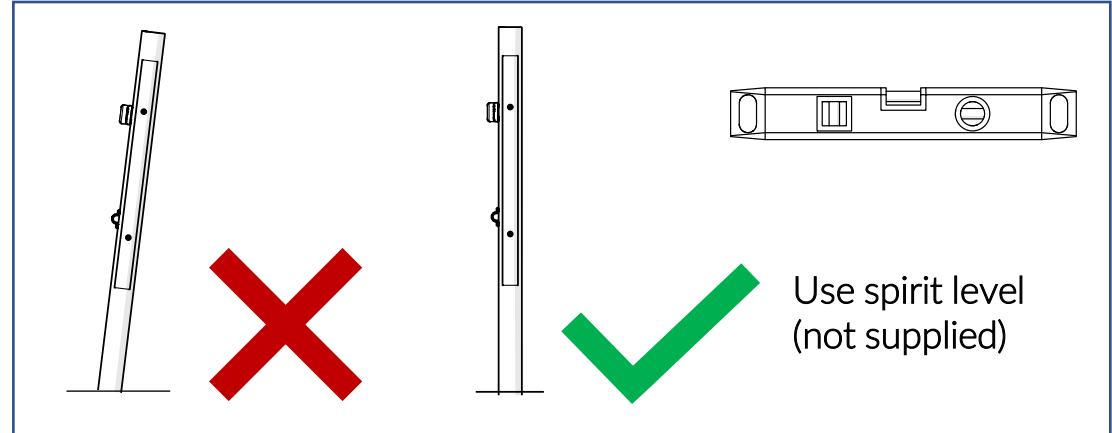


# 2. x4



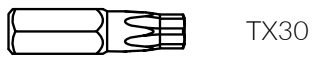
Foundations should not present a hazard

Refer to your local Health & Safety standards

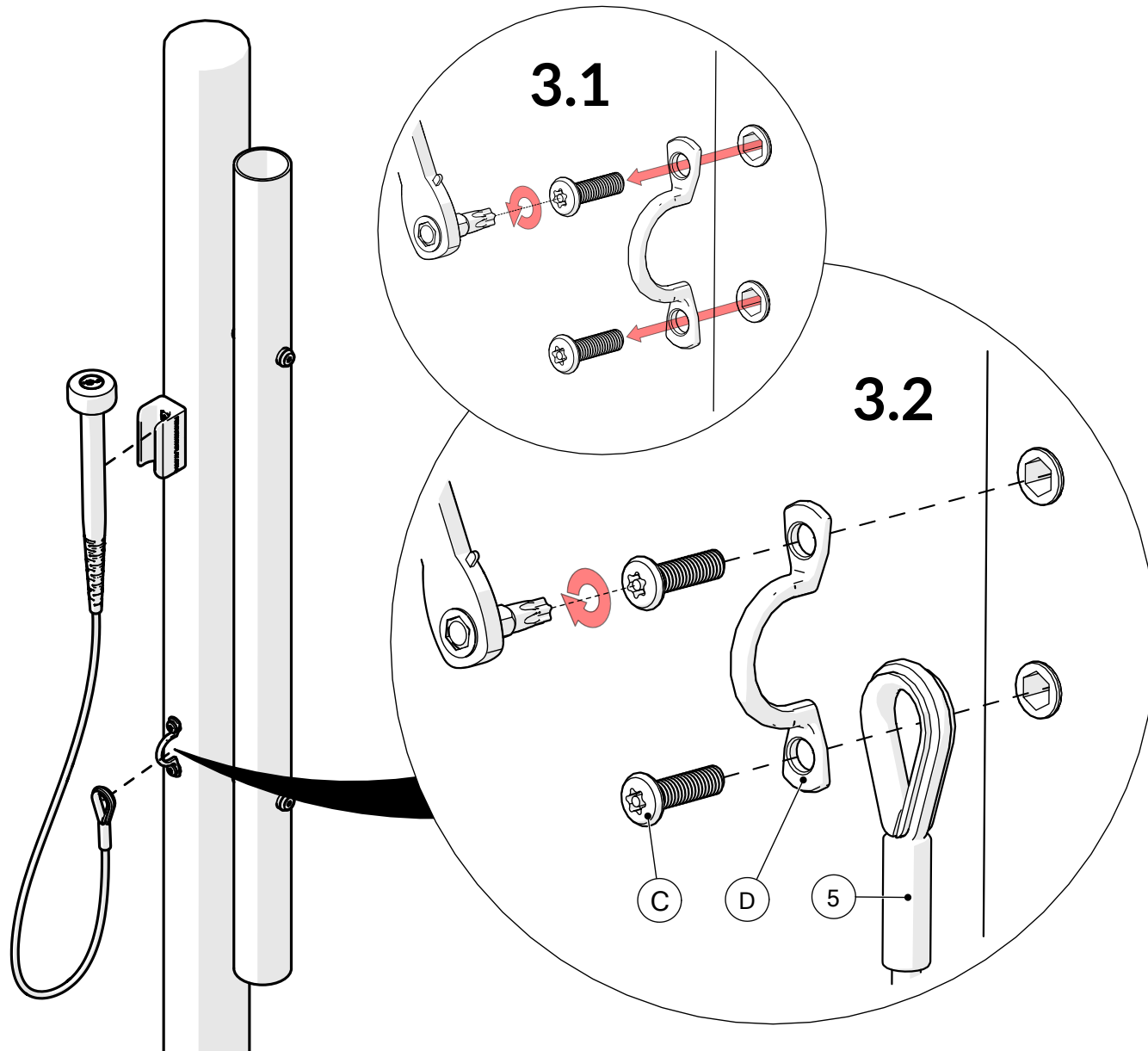


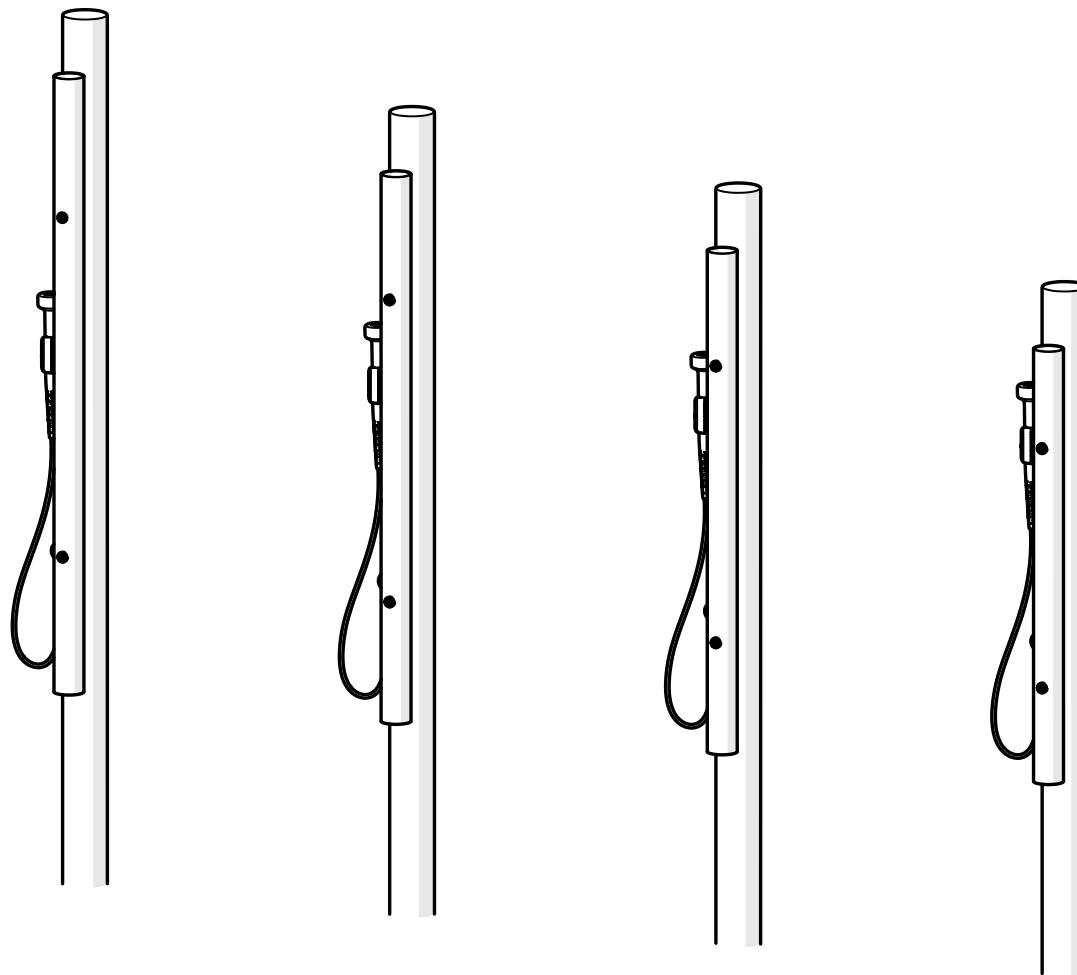


# 3. x4



5		x4
C		x8
D		x4





[percussionplay.com](http://percussionplay.com)



[info@percussionplay.com](mailto:info@percussionplay.com)



UK  
[01730 235 180](tel:+441730235180)

USA & CAN  
[+1 \(866\) 882 9170](tel:+18668829170)

EUR & ROW  
[+44 1730 235 180](tel:+441730235180)

Layout for illustration purposes only