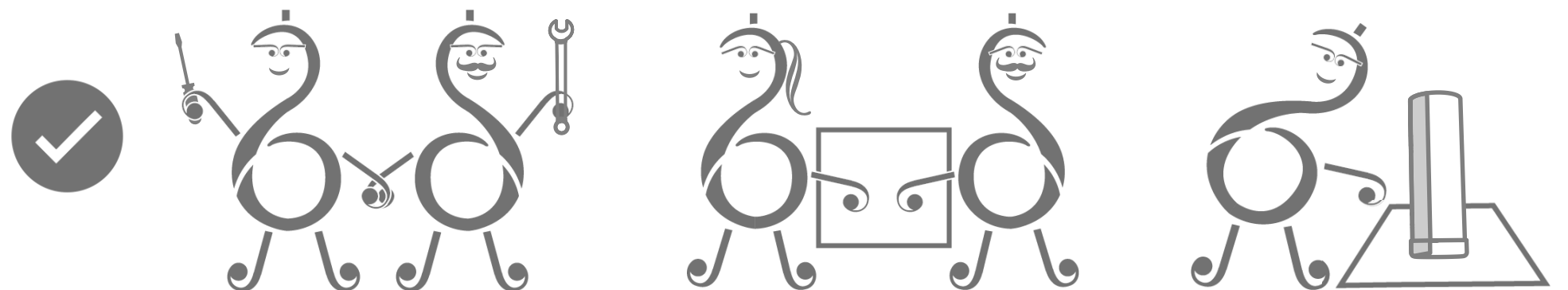
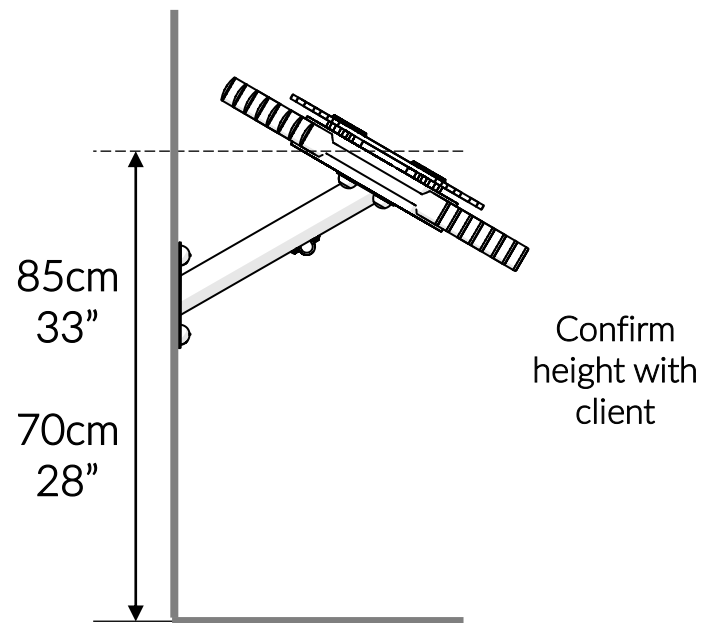
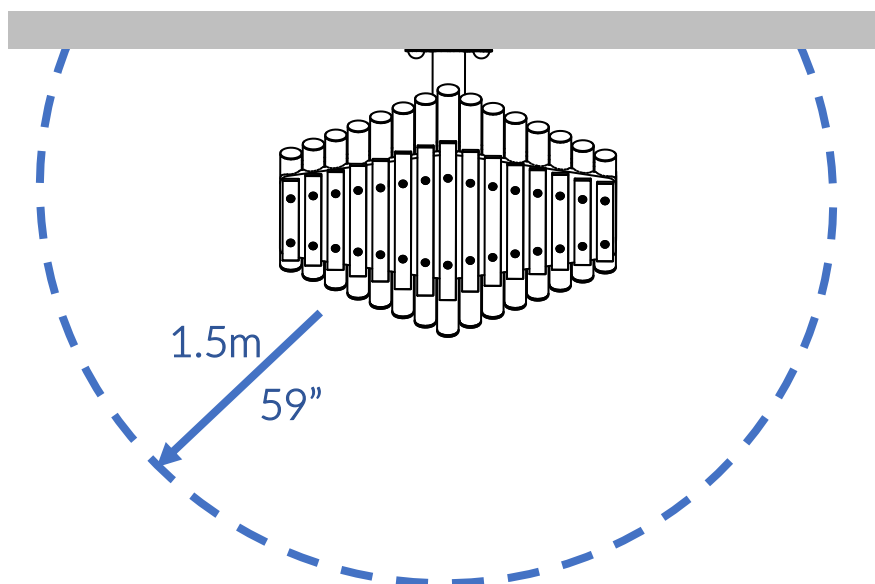


Part Reference	Description
PP-SANS-BL-SD-WA	Sansa-Rimba - Bellatta (Wall Fix)
PP-SANS-MY-SD-WA	Sansa-Rimba - Mysteria (Wall Fix)
PP-SANS-SA-SD-WA	Sansa-Rimba - Saxata (Wall Fix)
PP-SANS-RB-SD-WA	Sansa-Rimba - Rainbow (Wall Fix)

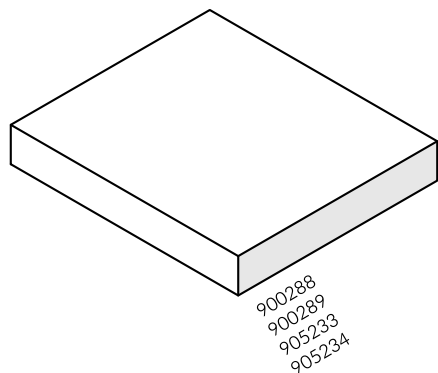




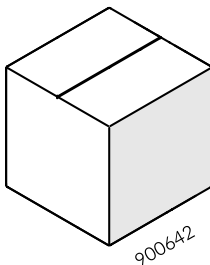
Check Risk Assessment



Packages



x1

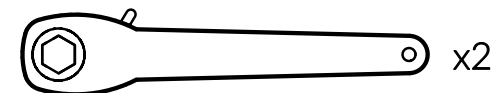


x1

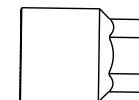
		L	W	H	Weight	Net
x1	900288 900289 905233 905234	80cm / 31.5"	70cm / 27.5"	12cm / 5"	15kg / 33lbs	
x1	900642	36cm / 14"	36cm / 14"	36cm / 14"	5kg / 11lbs	

Tools required (not supplied)

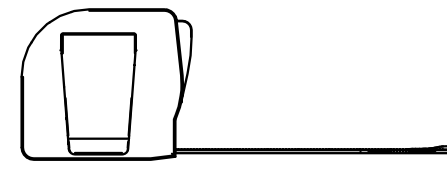
¼" Bit Driver Ratchet



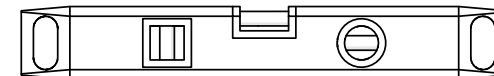
½" Socket spanner

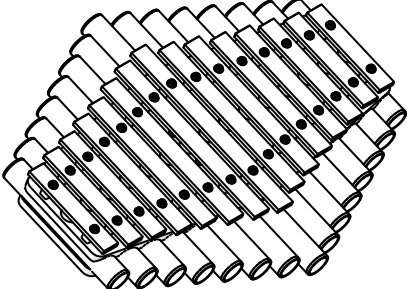
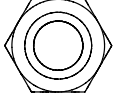
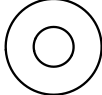

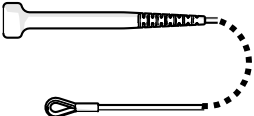
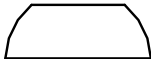



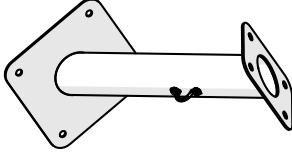


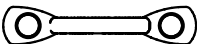


Tape Measure



Spirit level



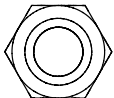
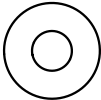


<p>900288 900289 905233 905234</p>	
<p>① x1</p>	
<p>Ⓐ x4 500676</p>	
<p>Ⓑ x4 500673</p>	
<p>x1 TX30 500473</p>	
<p>② x2 900837</p>	
<p>Ⓒ x4 600707</p>	
<p>Ⓓ x4 600708</p>	

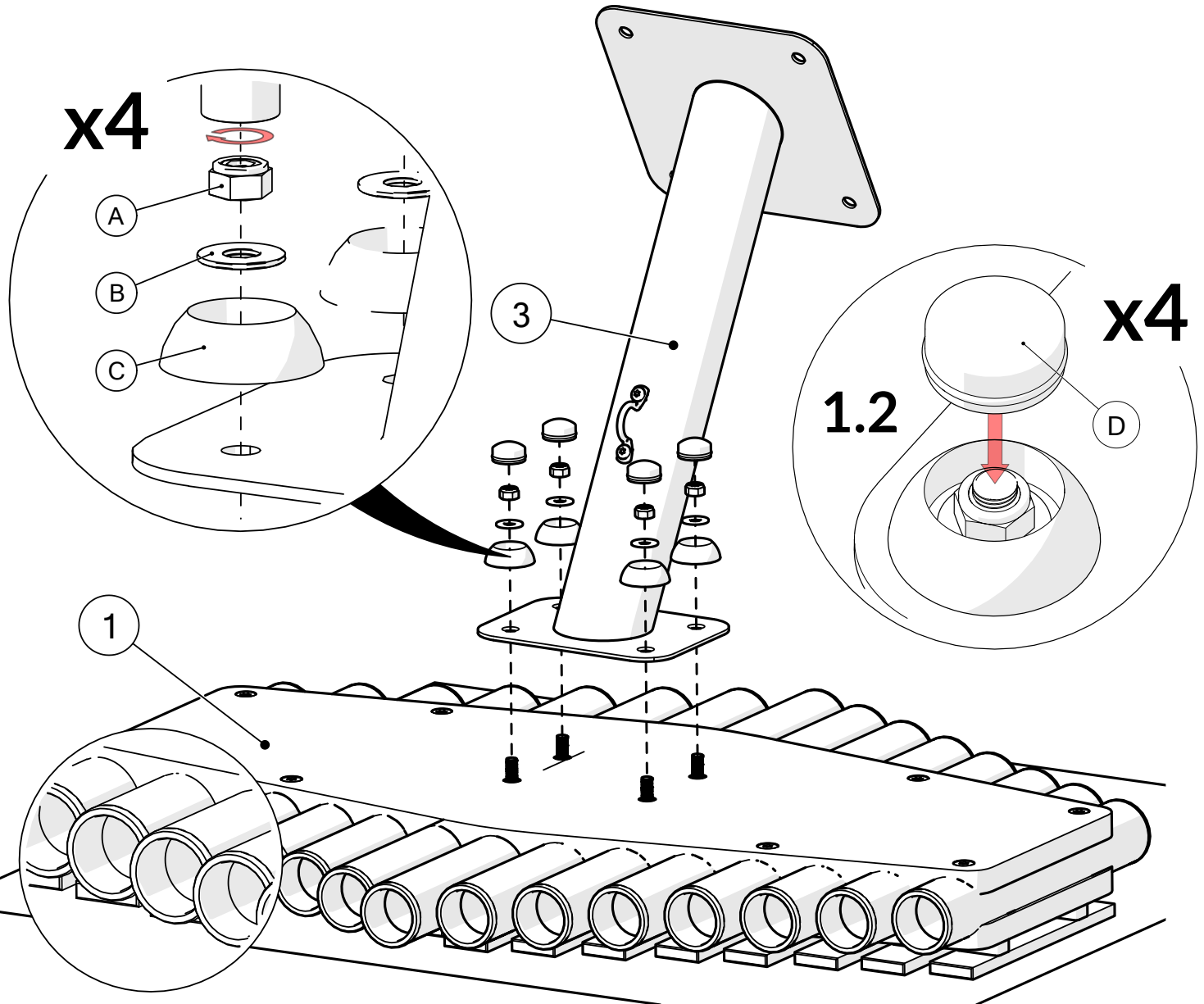
<p>900642</p>	
<p>③ x1 800629</p>	
<p>Ⓔ x4 600707</p>	
<p>Ⓕ x4 600708</p>	
<p>Ⓖ x1 603150</p>	
<p>Ⓗ x2 500746</p>	
<p>x1 TX30 500473</p>	

Not to scale

1.

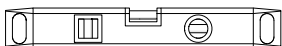
1.1

A		x4
B		x4
C		x4
D		x4



2.

Use spirit level

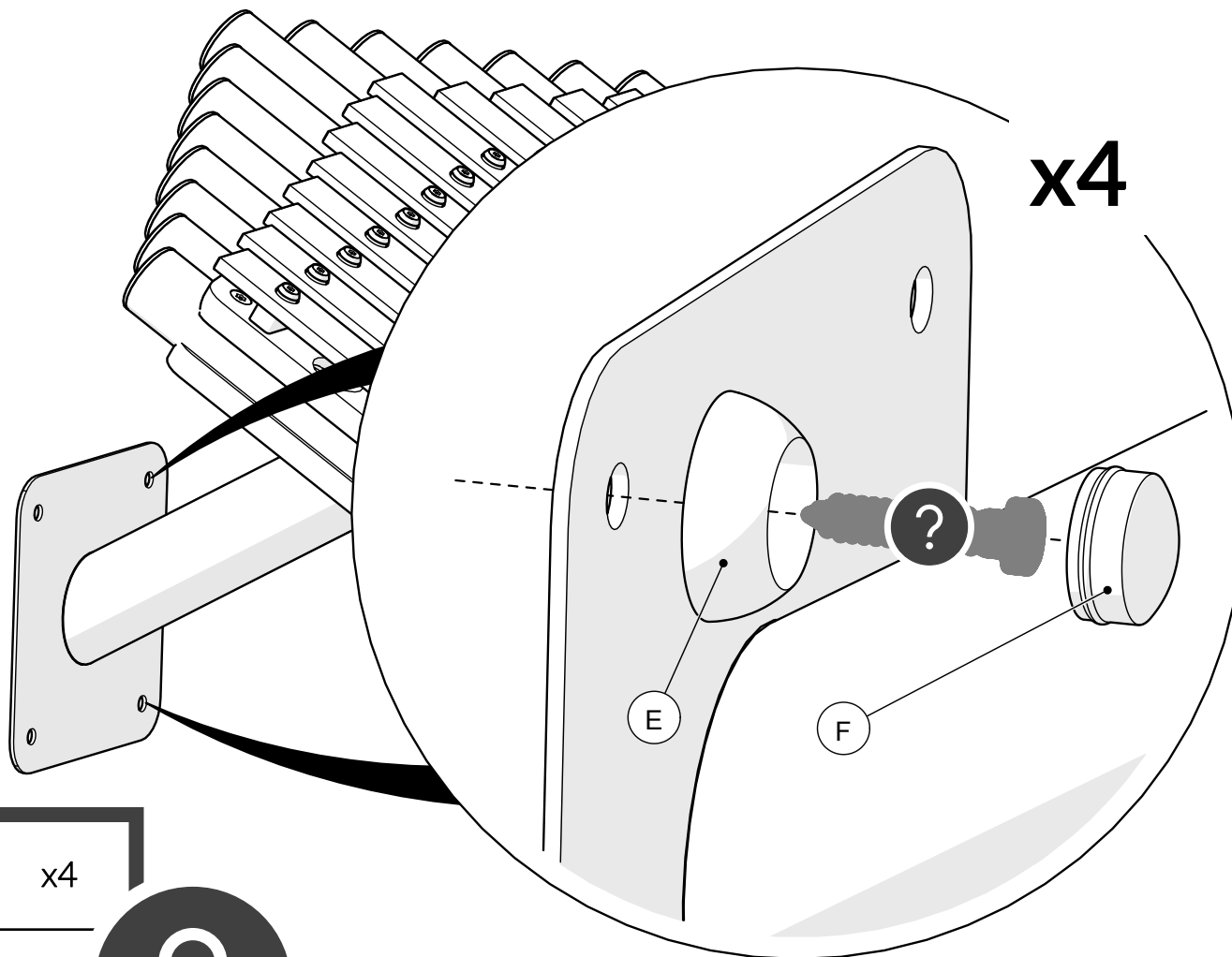


E		x4
F		x4

Wall

Example fixing

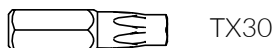
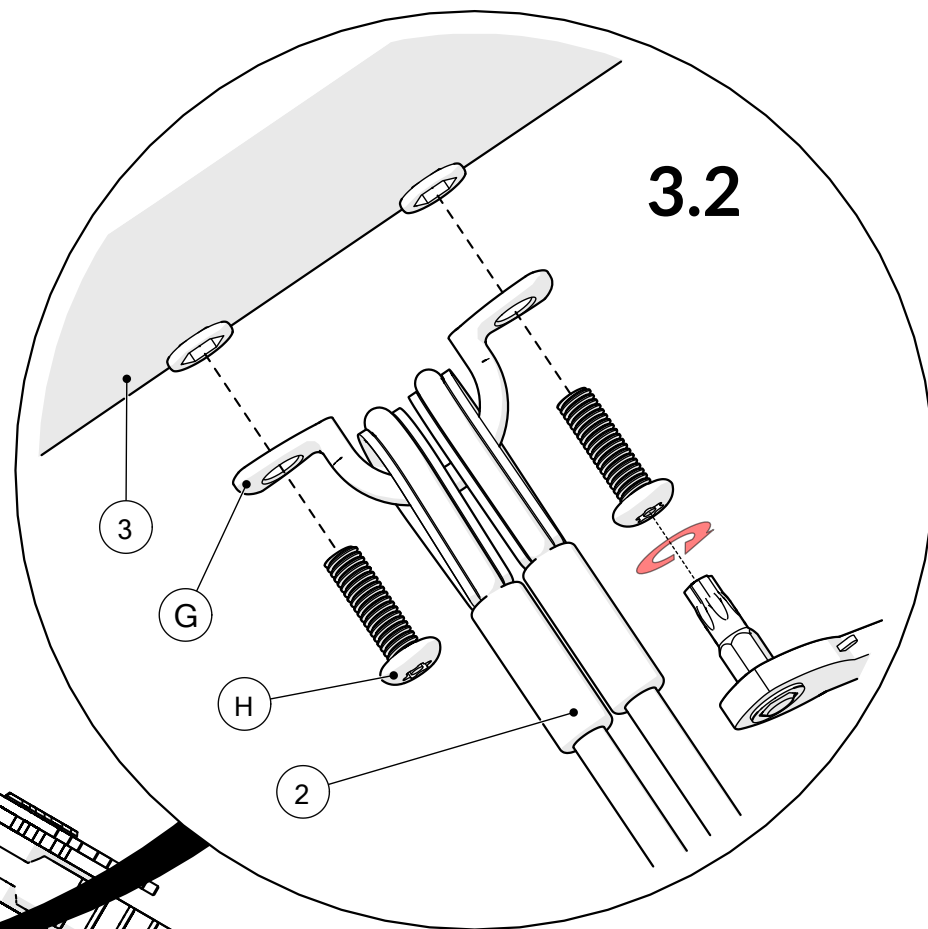
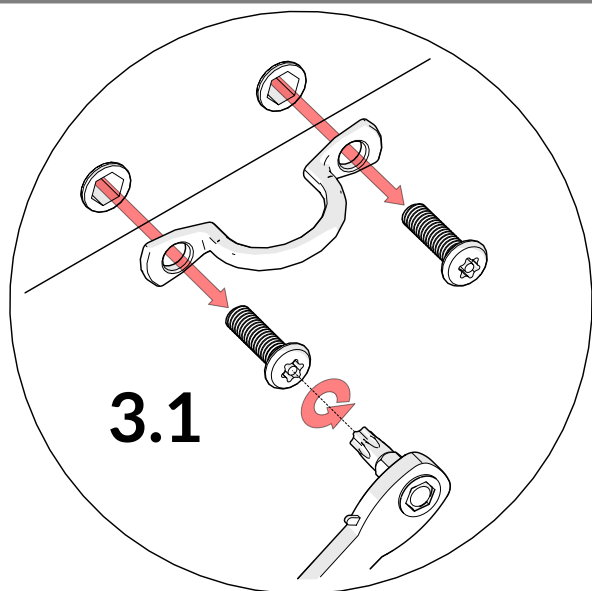
	Wood		x4
	Concrete		x4
	Brick		x4



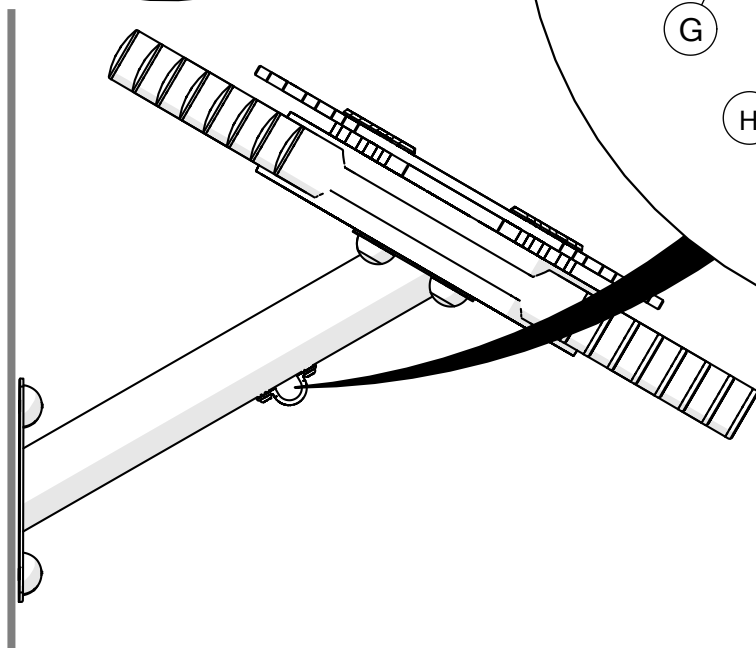
Wall fixing should not present a hazard

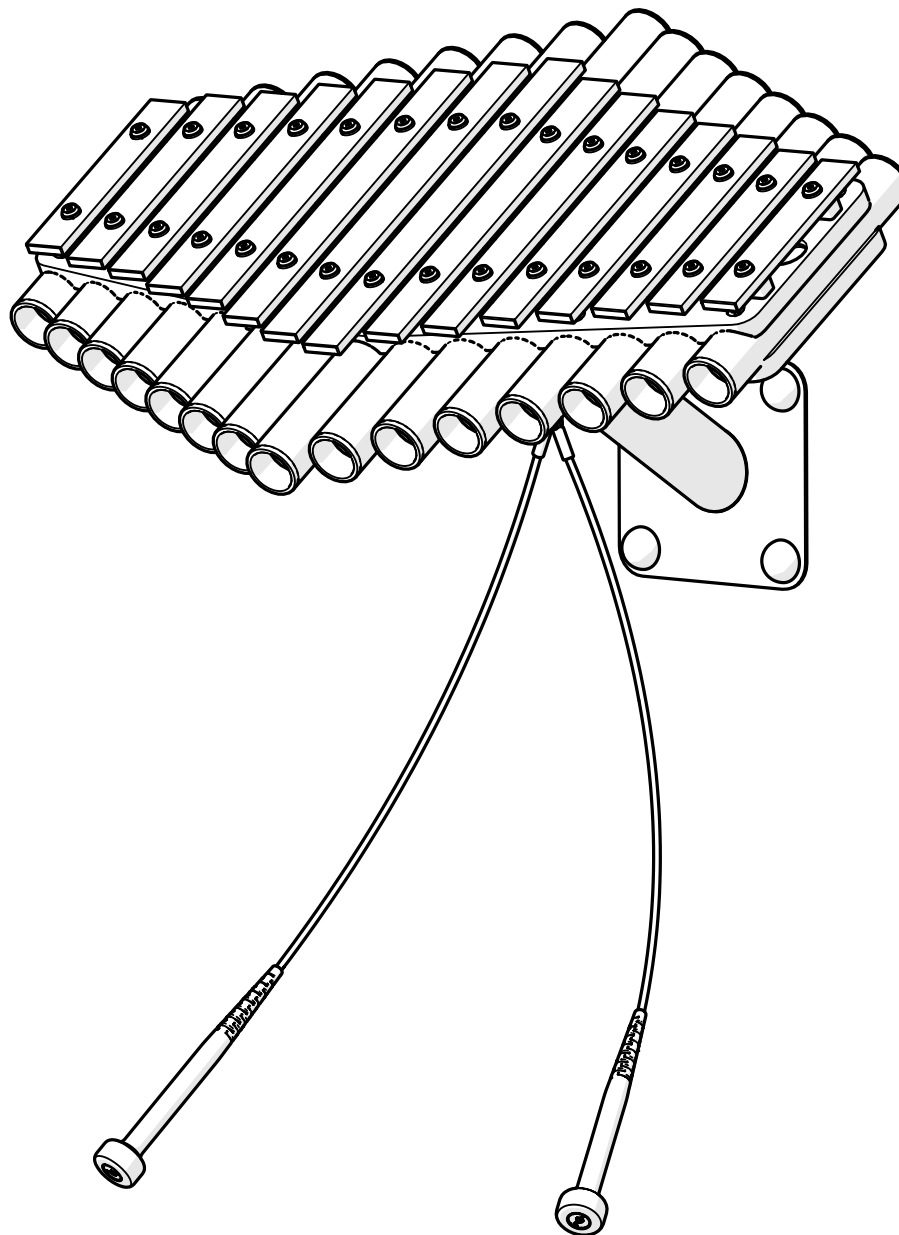
Refer to your local Health & Safety standards

3.



2		x2
G		x1
H		x2





percussionplay.com



info@percussionplay.com



UK
[01730 235 180](tel:01730235180)

USA & CAN
[+1 \(866\) 882 9170](tel:+18668829170)

EUR & ROW
[+44 1730 235 180](tel:+441730235180)