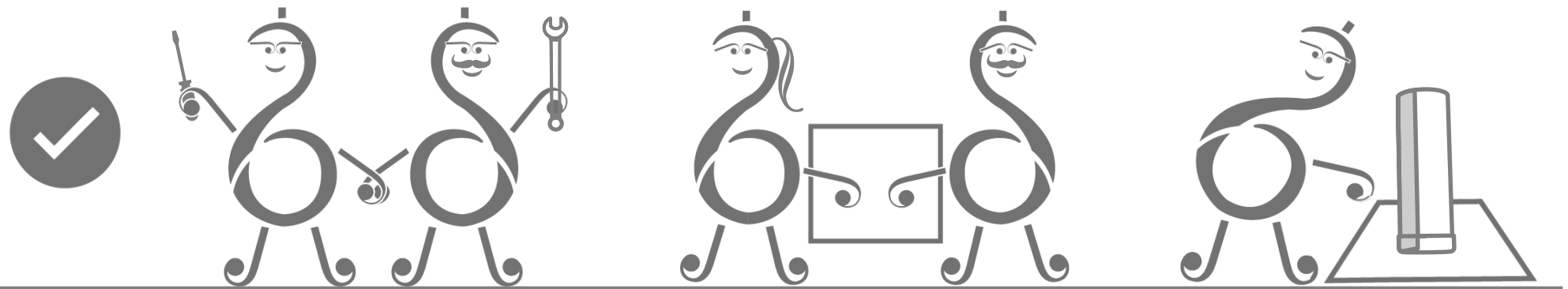
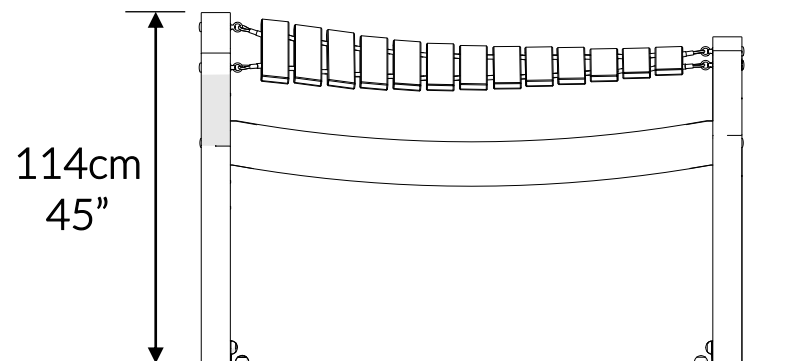
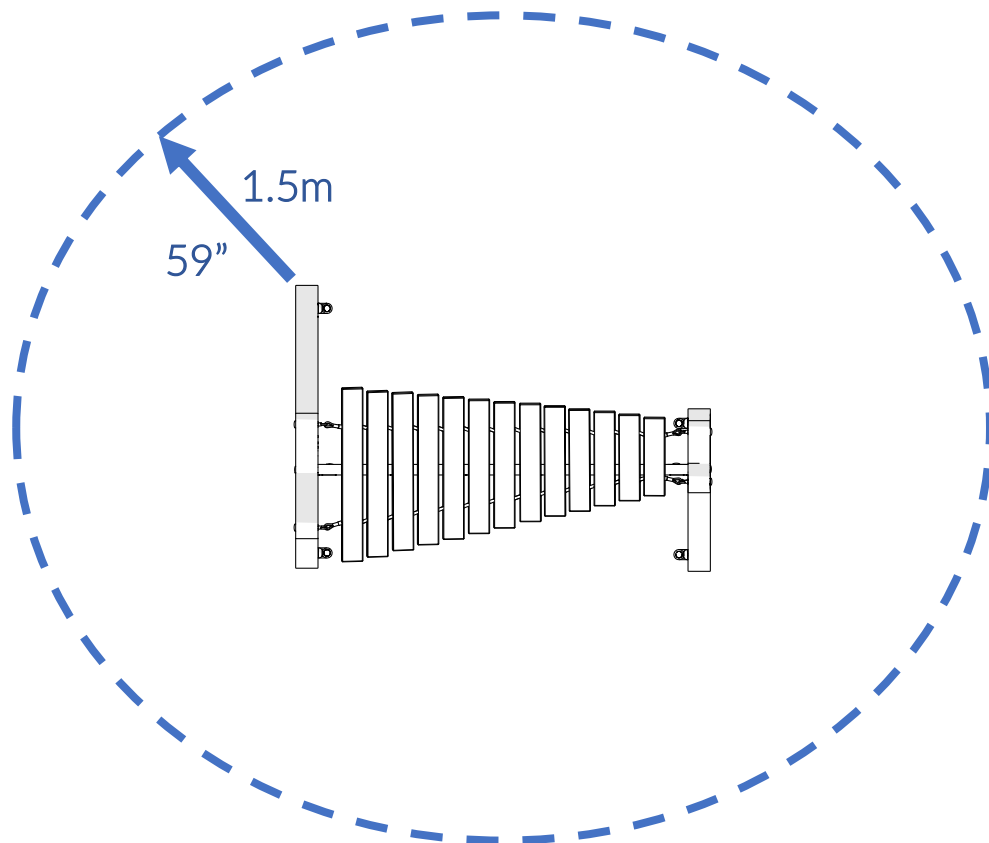


Part Reference	Description
PP-AKAD-SU	Akadinda - (Surface Fix)

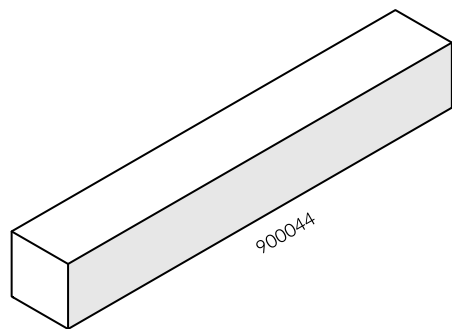




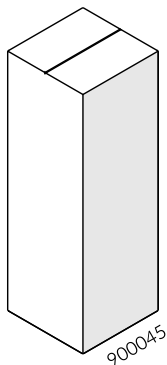


Check Risk Assessment

Packages



x1

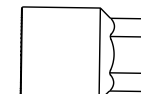
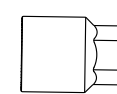


x1

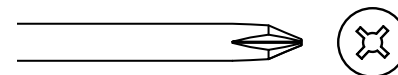
		L	W	H	Weight	Net
x1	900044	170cm / 67"	25cm / 10"	25cm / 10"	25kg / 55lbs	
x1	900045	80cm / 31.5"	27cm / 10.5"	27cm / 10.5"	15kg / 33lbs	

Tools required (not supplied)

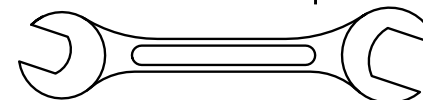
¼" Bit Driver Ratchet ½" + 21/32" Socket spanner



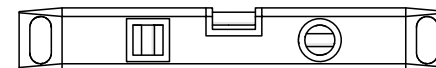
Crosshead Screwdriver



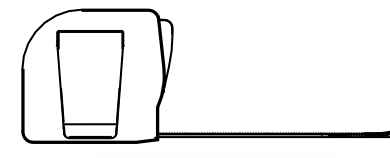
11/16" / 17mm Spanner



Spirit level



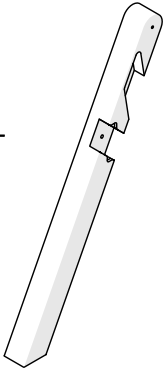
Tape Measure



900044

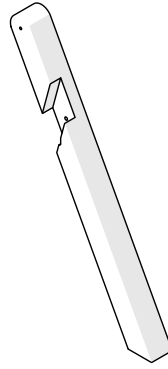
① x1

L27
604665



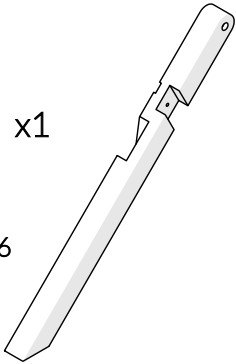
④ x1

R28
604668



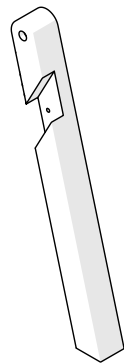
② x1

L45
604666



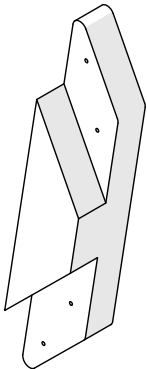
⑤ x1

R15
604669



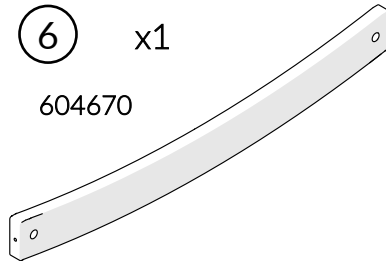
③ x1

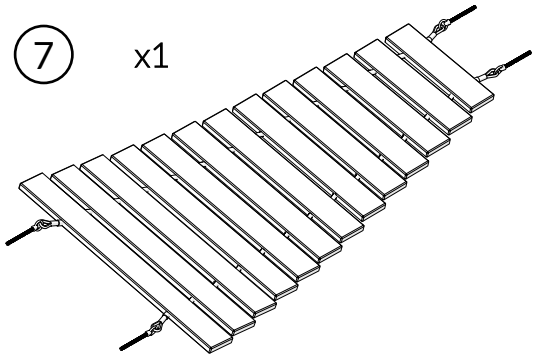
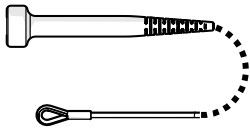
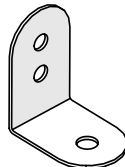
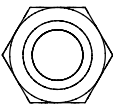
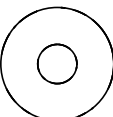
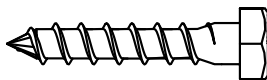

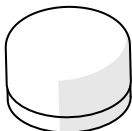
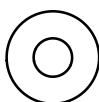
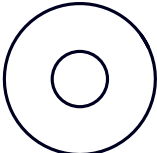
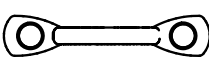



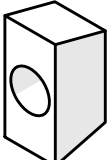
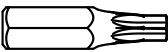

604667



⑥ x1

604670

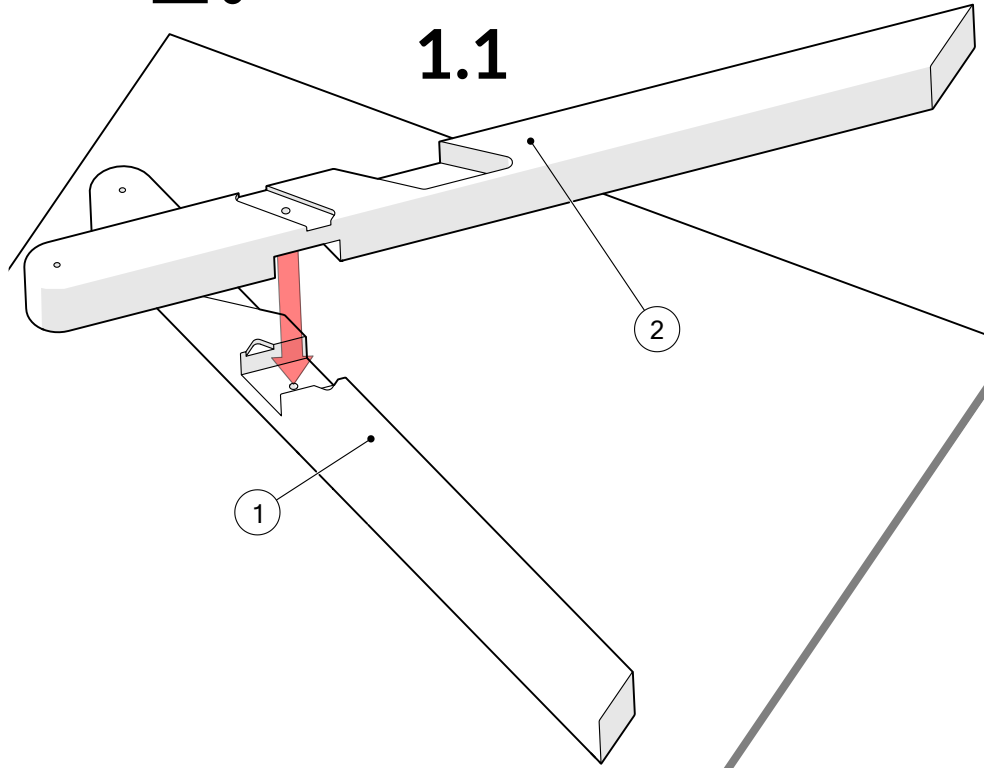


900045		900046	
<p>⑦ x1</p> 	<p>⑧ x4 900832</p> 	<p>ⓓ x4 600428</p> 	
	<p>Ⓔ x4 500676</p> 		
	<p>Ⓕ x8 500471</p> 	<p>ⓔ x4 500726</p> 	
<p>Ⓐ x2 500458</p> 	<p>Ⓖ x8 600721</p> 	<p>ⓙ x8 500673</p> 	
<p>Ⓑ x2 500444</p> 	<p>Ⓜ x2 603150</p> 		
<p>Ⓒ x4 500711</p> 	<p>Ⓝ x4 500448</p> 	<p>Ⓚ x8 601543</p> 	
<p>Ⓓ x2 500441</p> 	<p>TX25 x1 500472</p> 	<p>Ⓛ x8 601542</p> 	

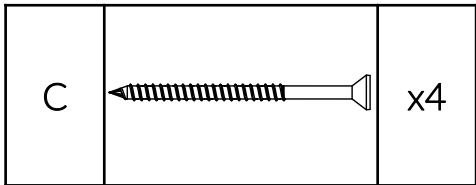
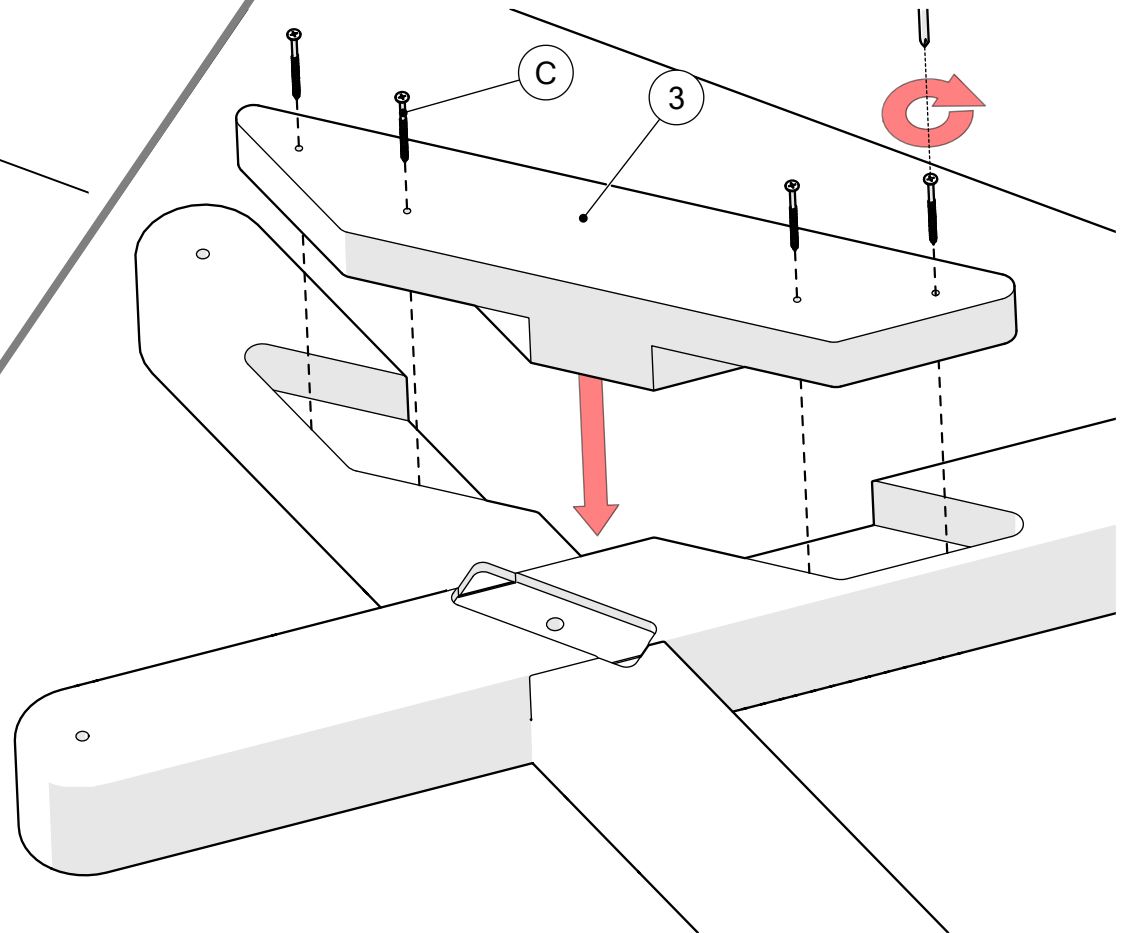
Not to scale

1.

1.1

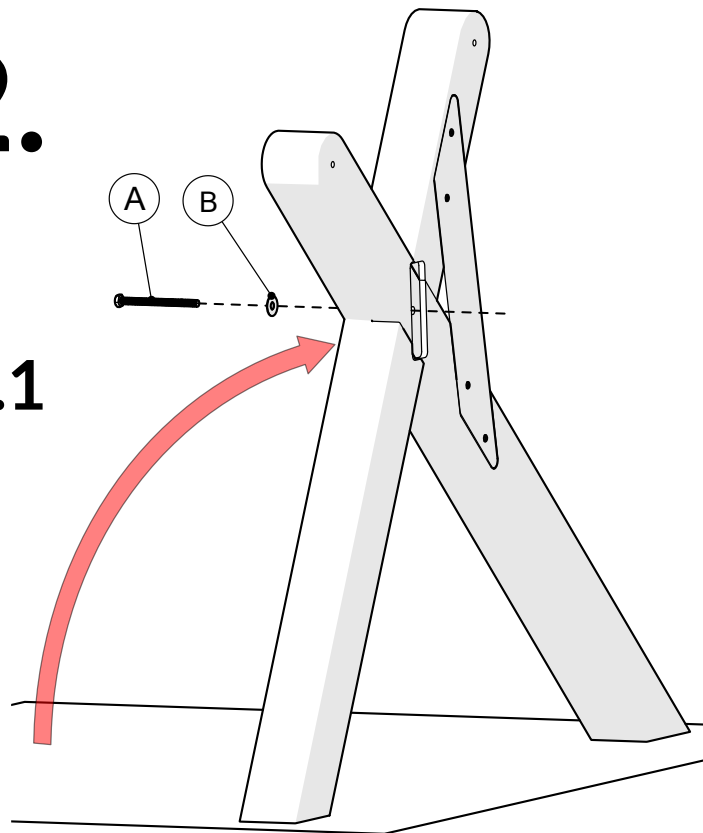



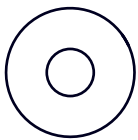
1.2



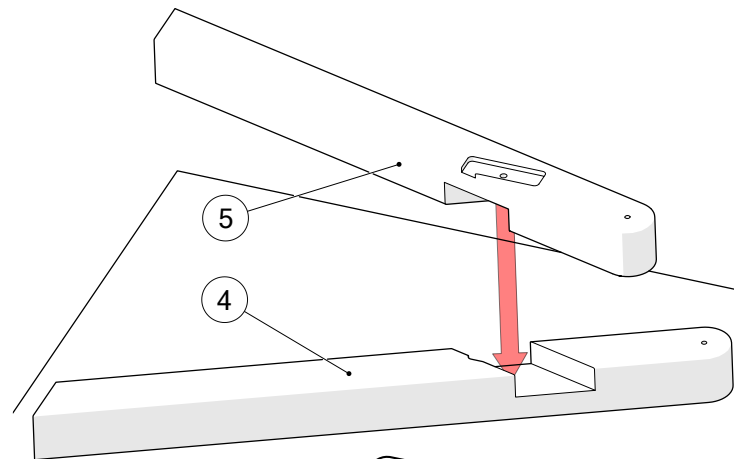
2.

2.1

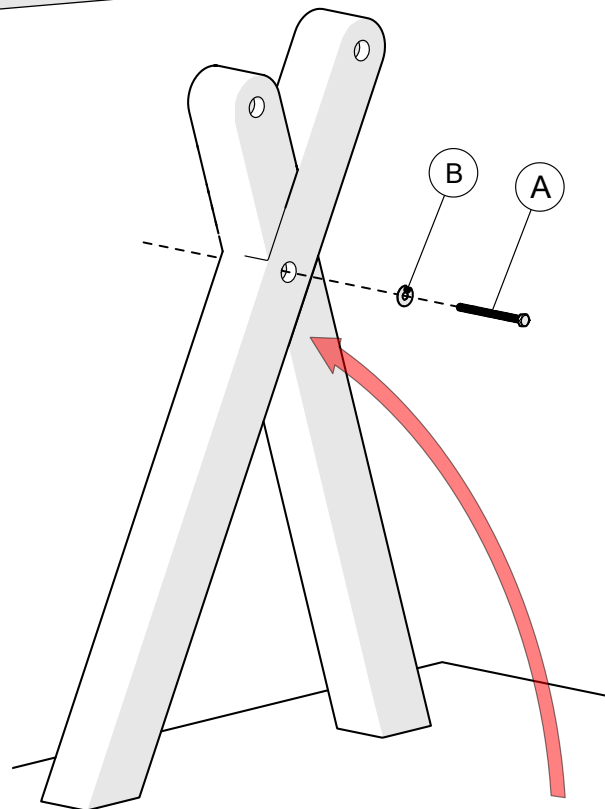


A		x2
B		x2

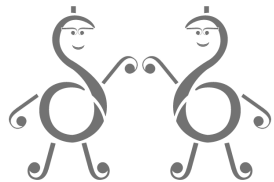
2.2



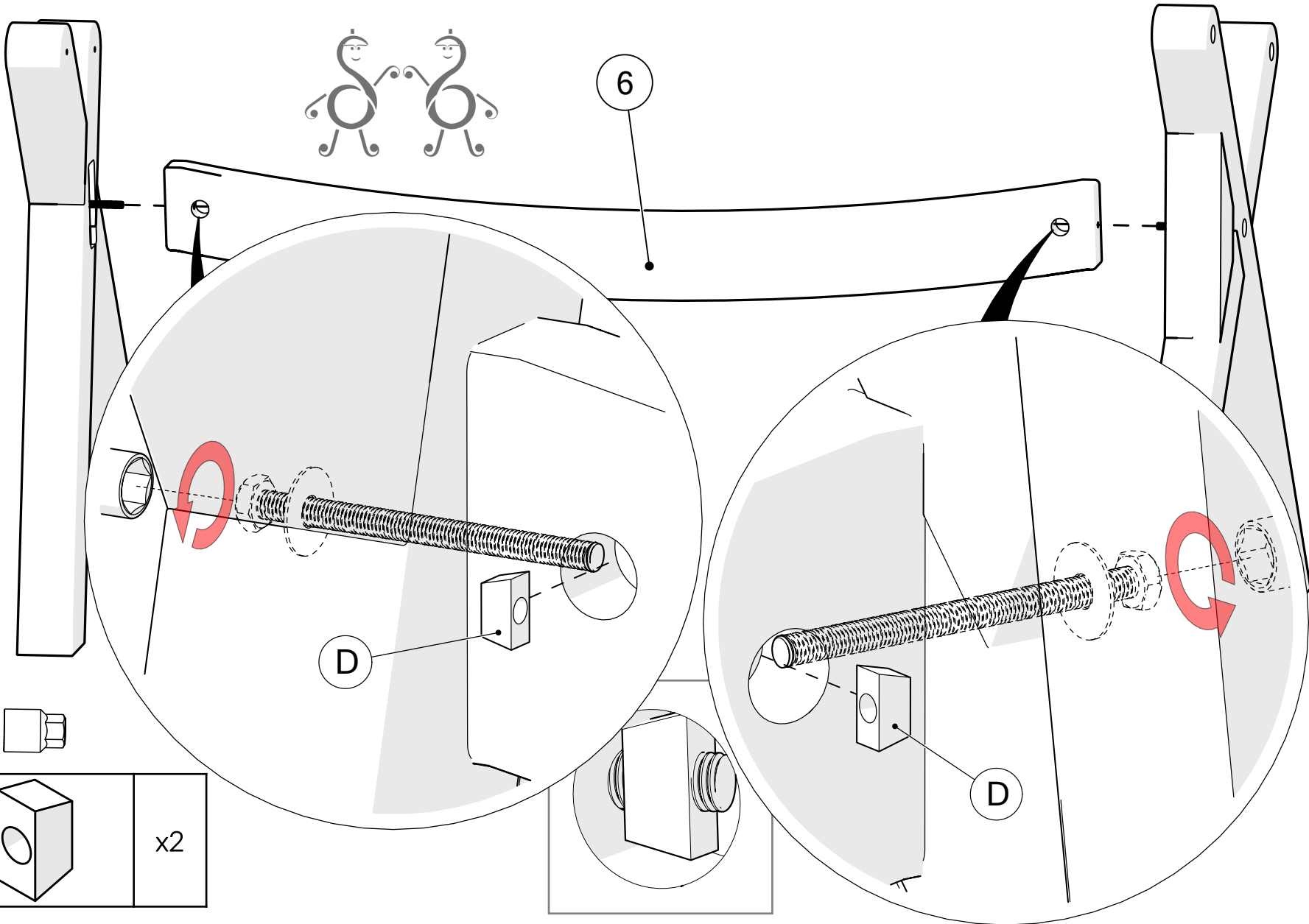
2.3



3.



6

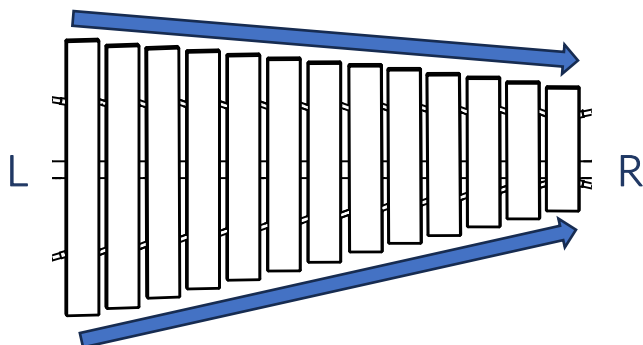
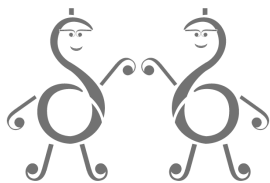


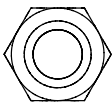
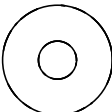
D

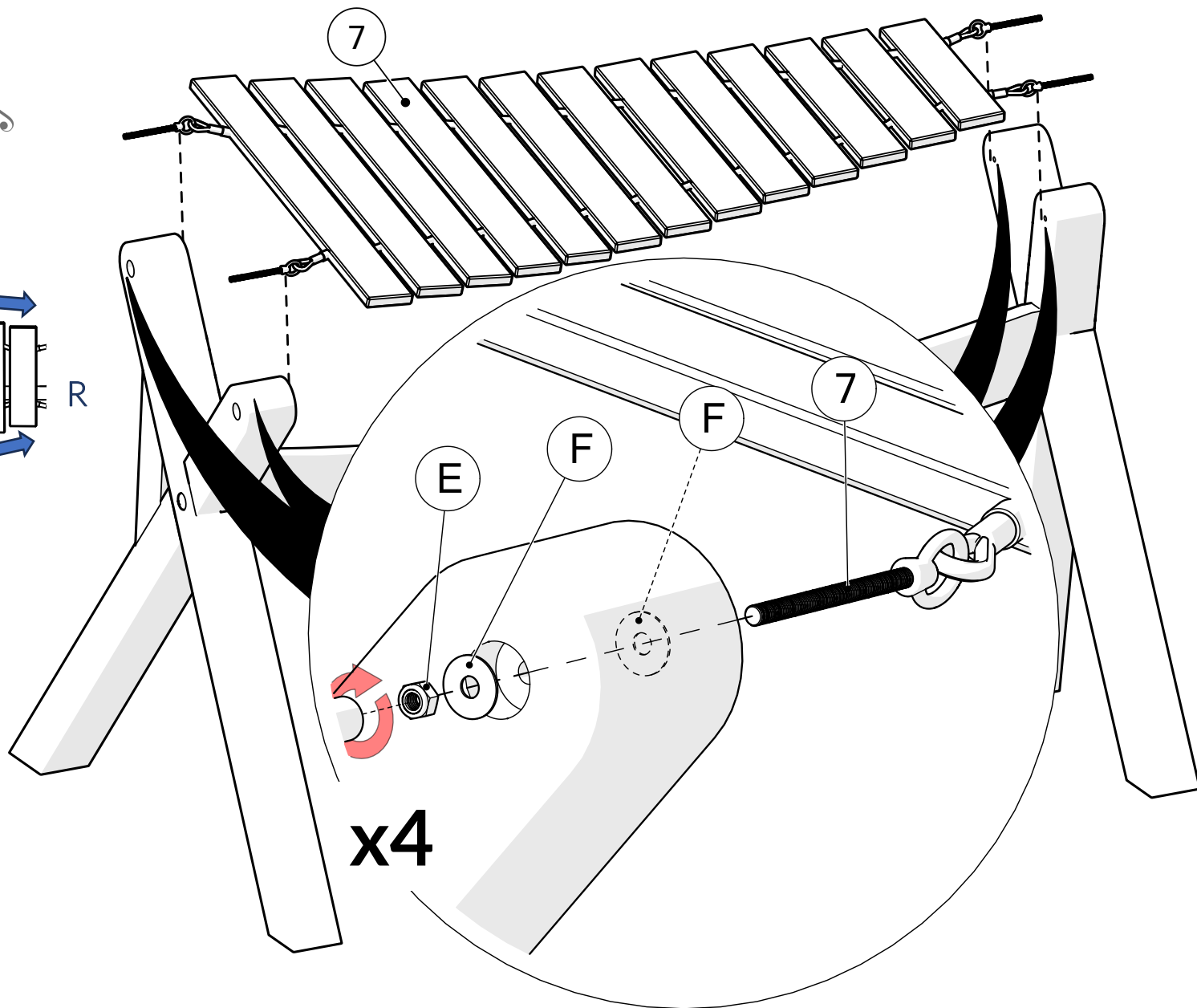
D

D		x2
---	--	----

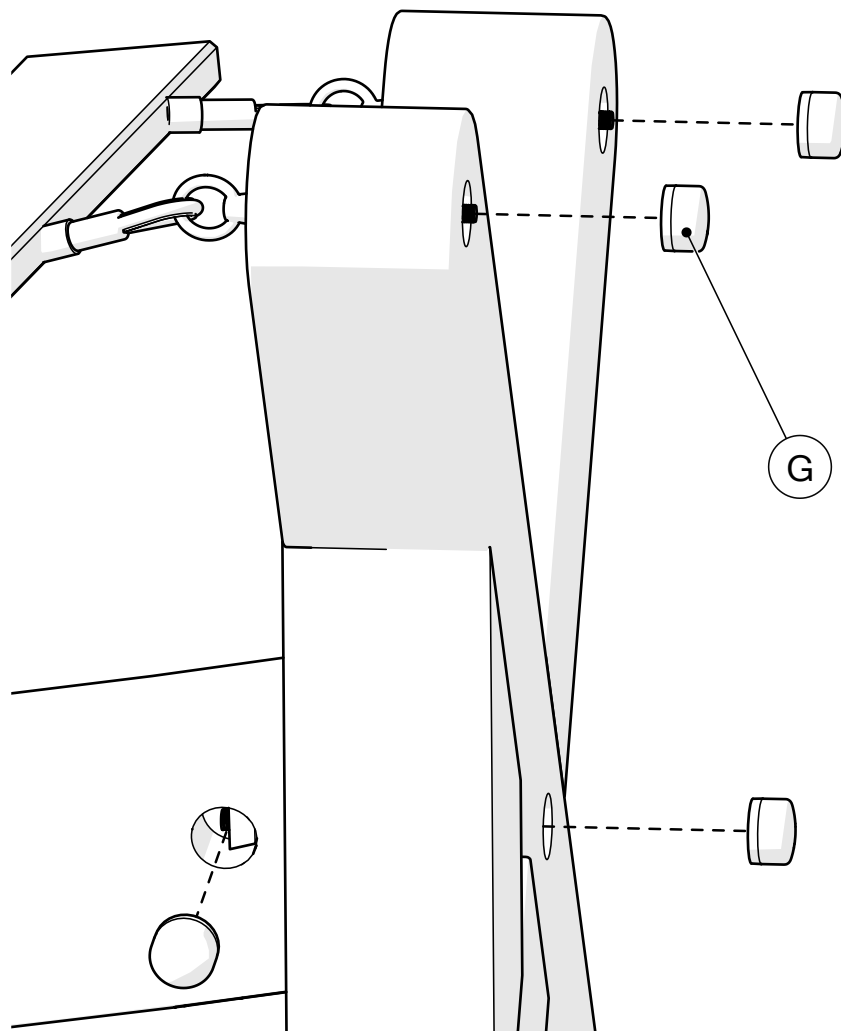
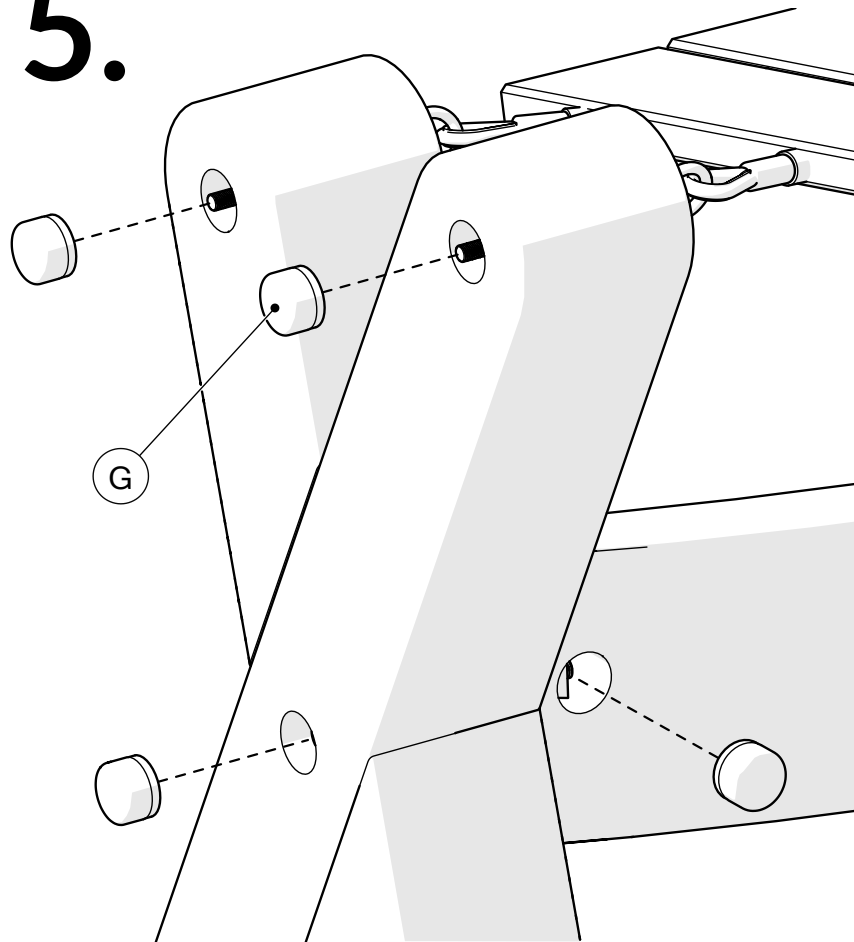
4.

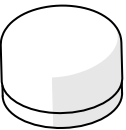


E		x4
F		x8



5.

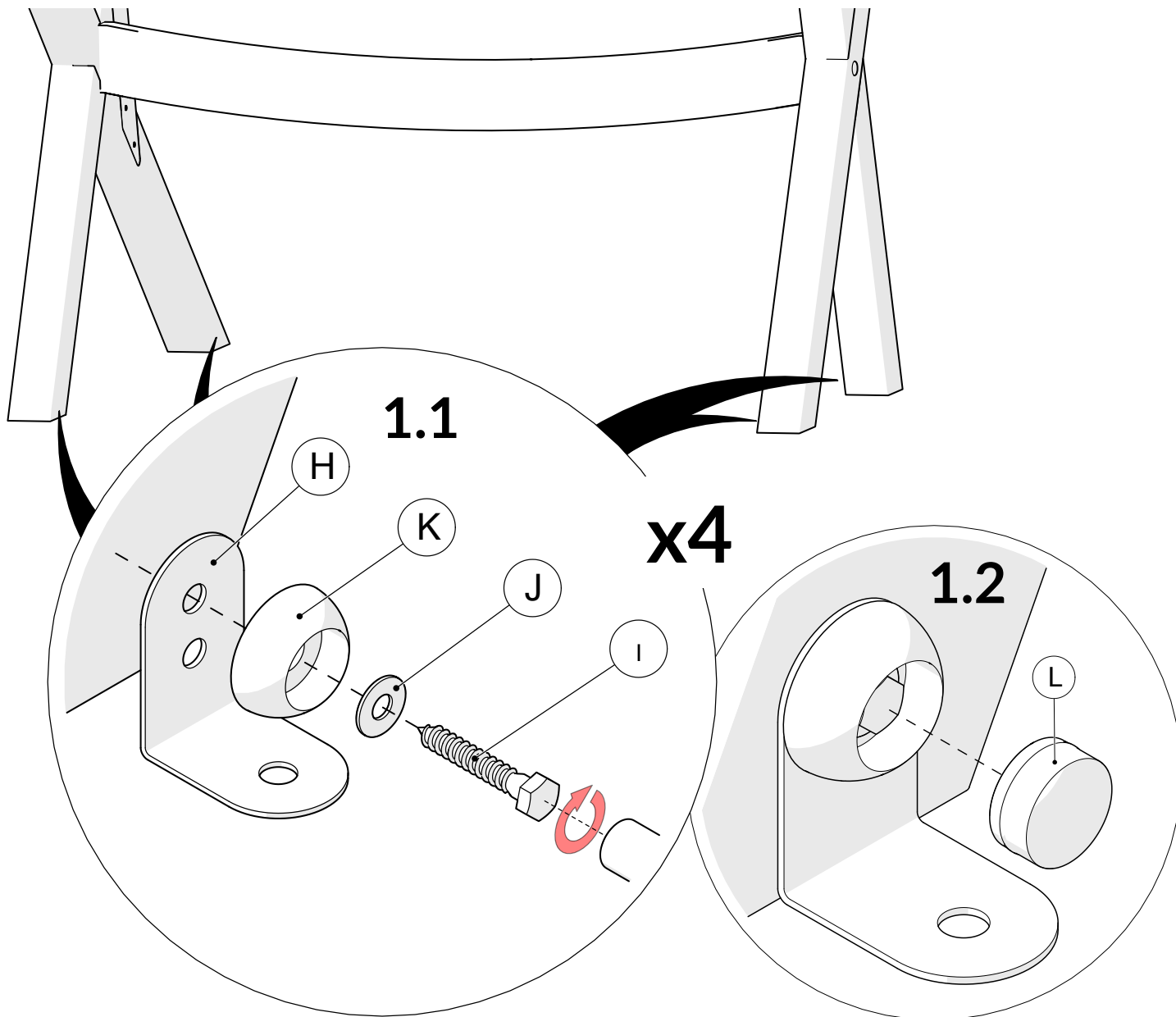


G		x8
---	---	----

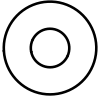
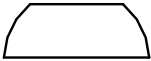

6.

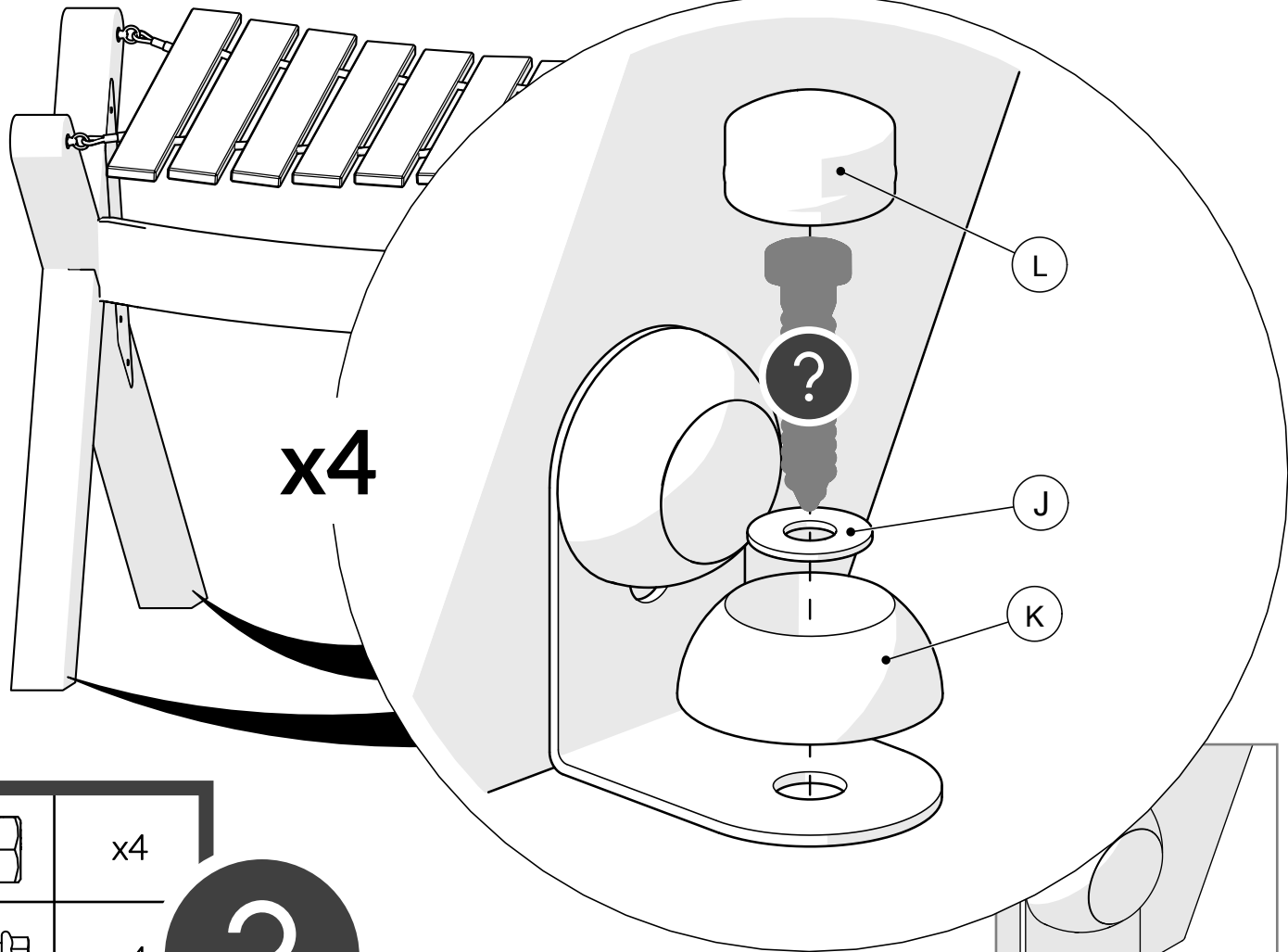


H		x4
I		x4
J		x4
K		x4
L		x4




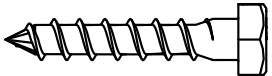

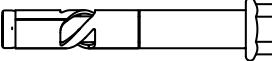

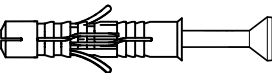
7.

J		x4
K		x4
L		x4



Surface

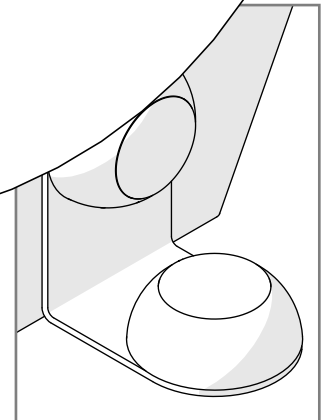
Example fixing

	Wood		x4
	Concrete		x4
	Brick		x4

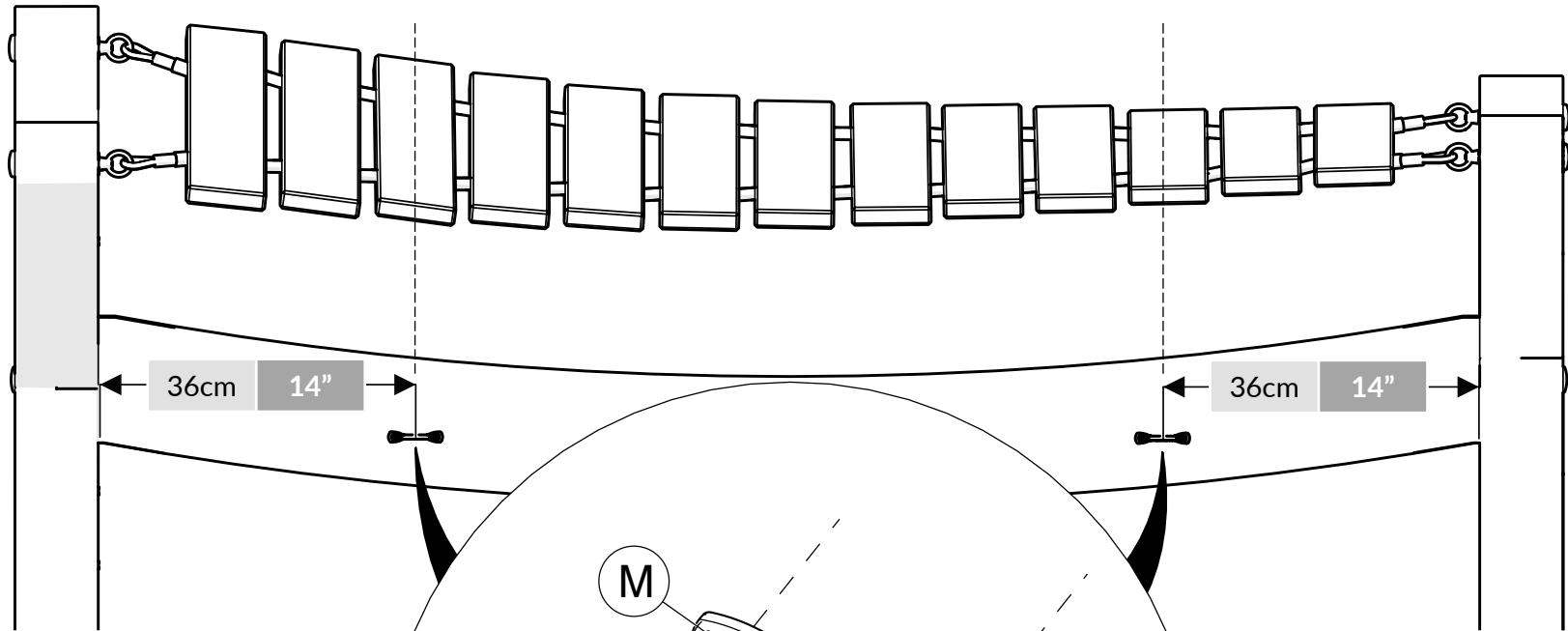


Surface fixing should not present a hazard

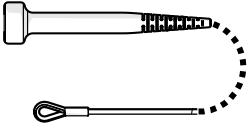
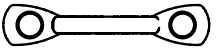

Refer to your local Health & Safety standards

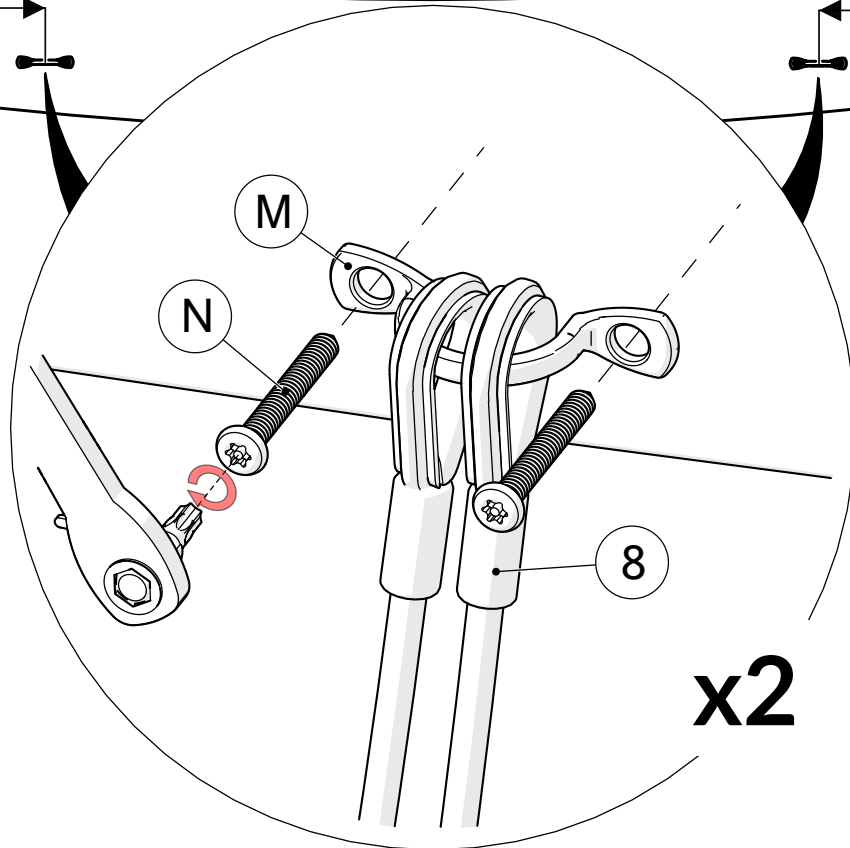


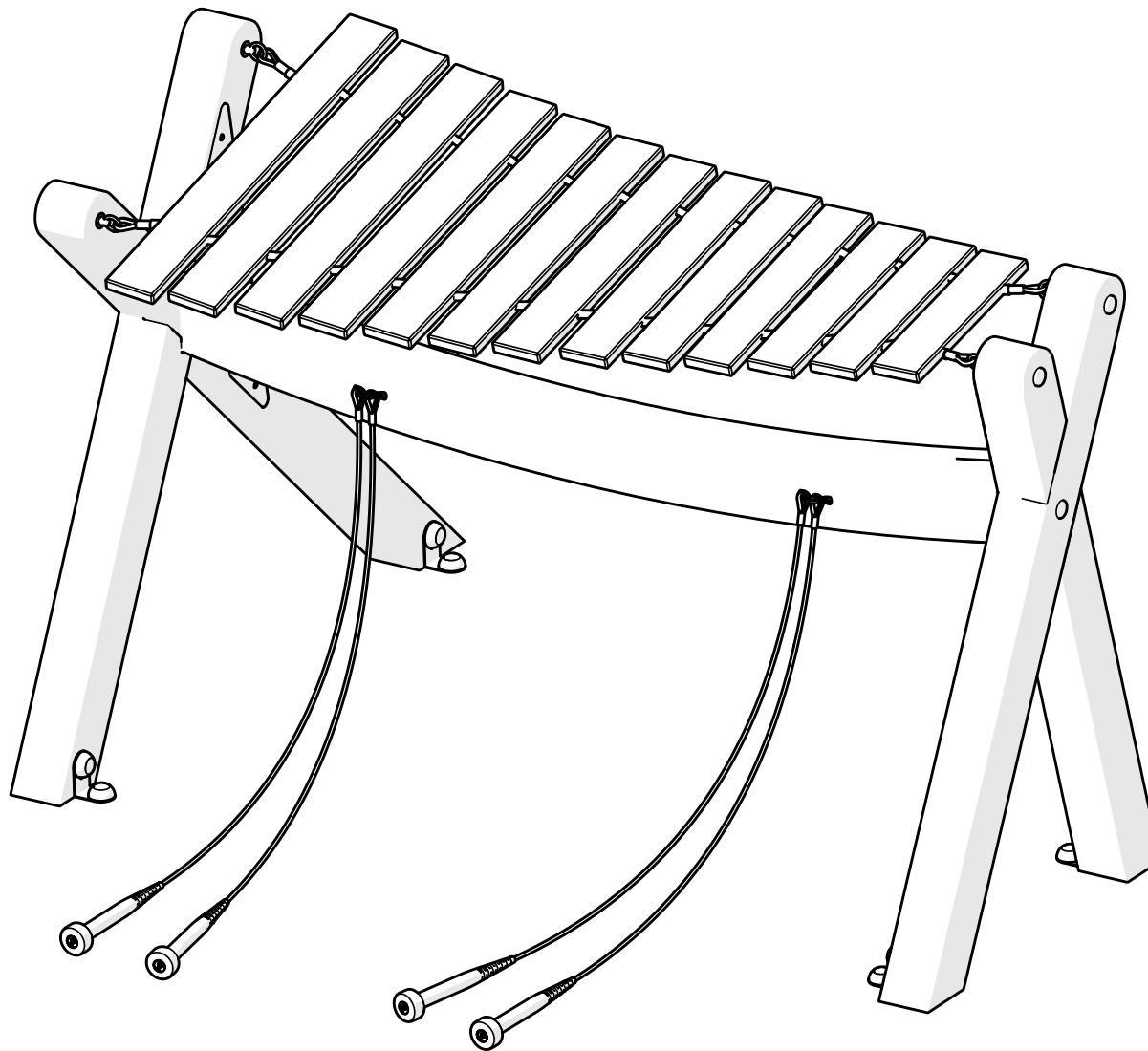
8.



TX25

8		x4
M		x2
N		x4





percussionplay.com



info@percussionplay.com



UK
[01730 235 180](tel:01730235180)

USA & CAN
[+1 \(866\) 882 9170](tel:+18668829170)

EUR & ROW
[+44 1730 235 180](tel:+441730235180)