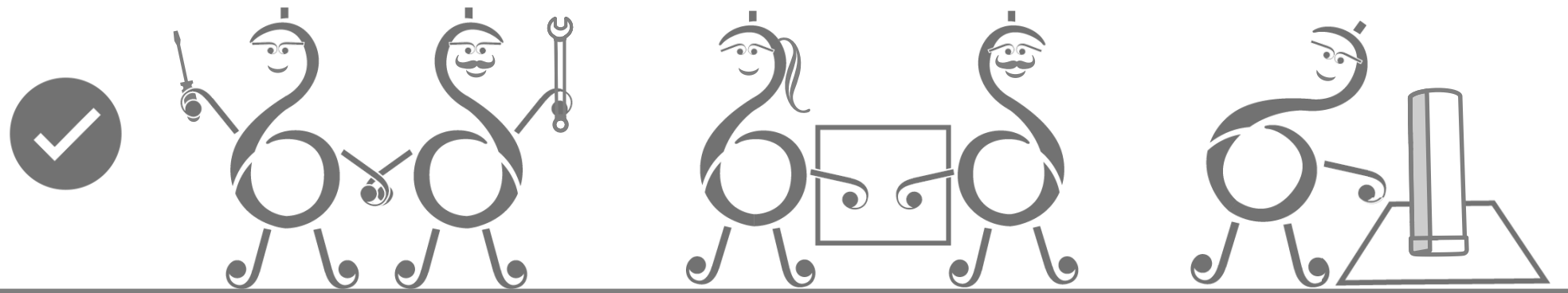
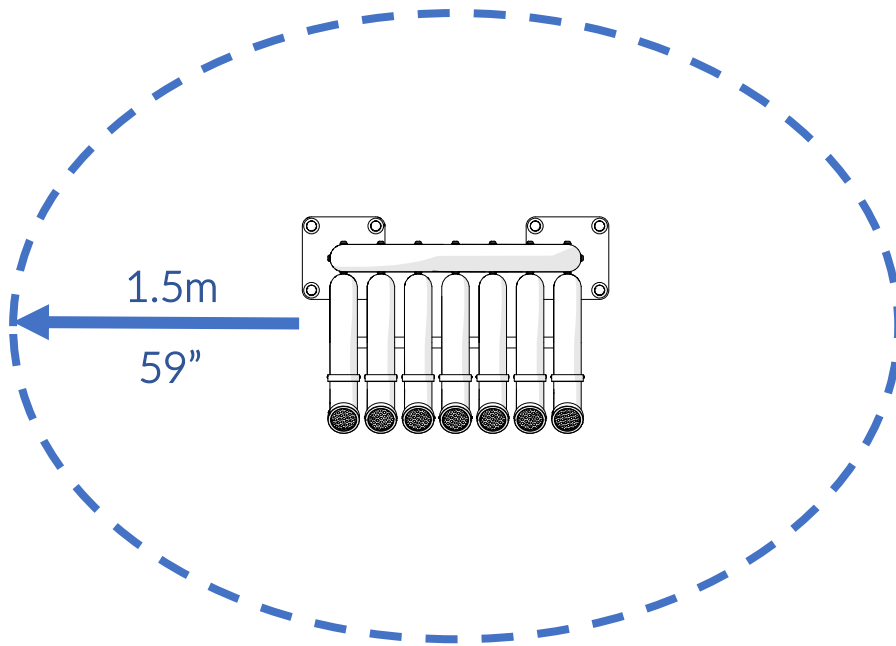


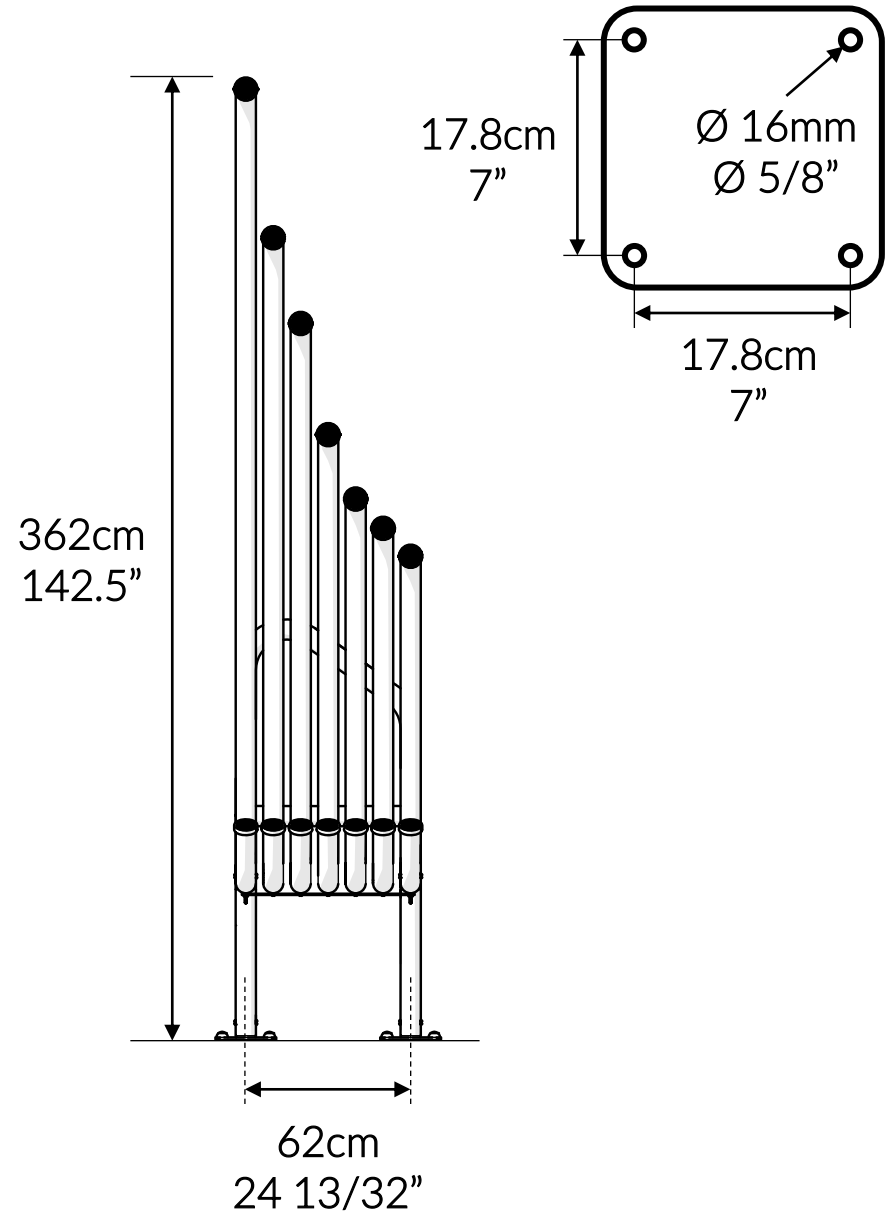
Part Reference	Description
PP-TEMB-BL-SU	Blues Tembos - with closed cell foam paddles (Surface Fix)



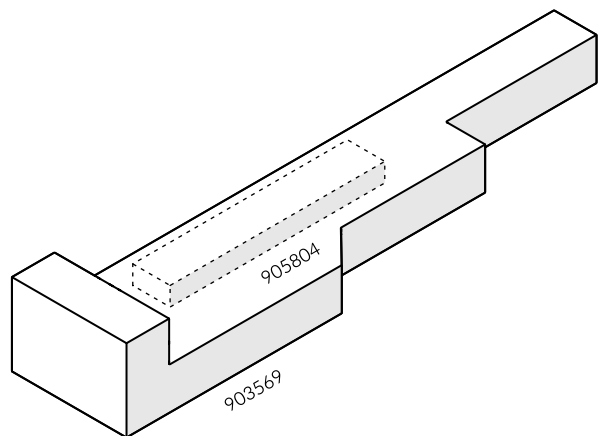




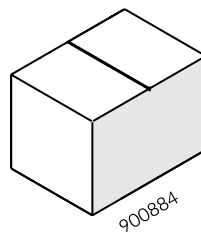
Check Risk Assessment



Packages



x1

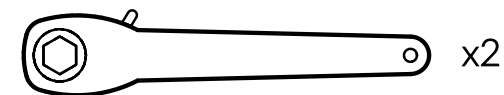


x2

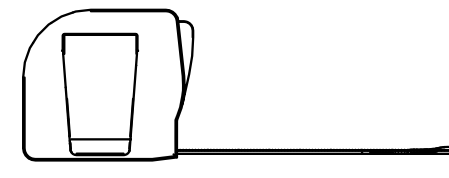
		L	W	H	Weight	Net
x1	903569	330cm / 130"	70cm / 27.5"	50cm / 20"	92kg / 203lbs	
	x1 905804	115cm / 45"	20cm / 8"	10cm / 4"		
x2	900884	32cm / 12.5"	23cm / 9"	23cm / 9"	6kg / 13lbs	

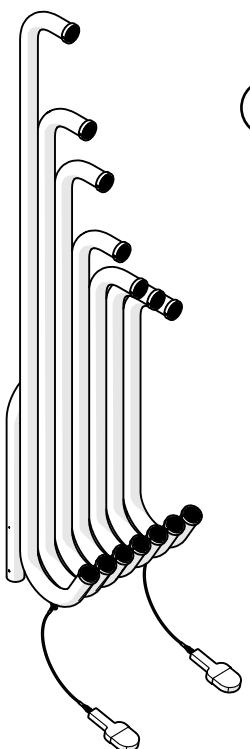

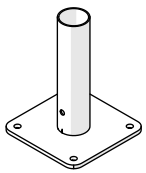
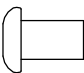

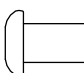
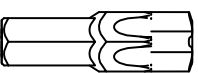
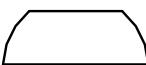

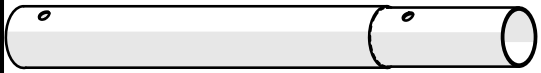


Tools required (not supplied)

¼" Bit Driver Ratchet

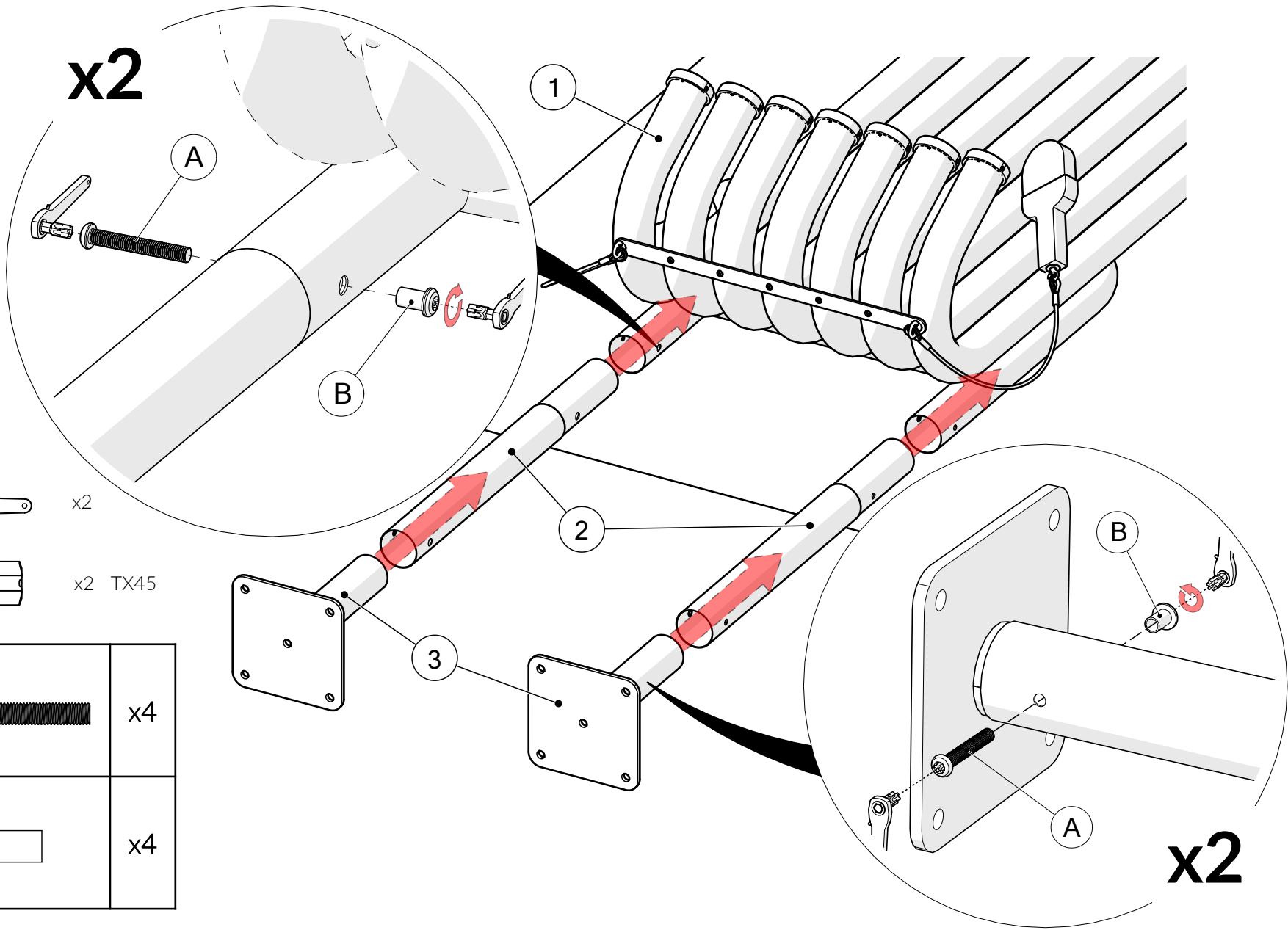


Tape Measure




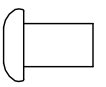
903569		900884		x2	Not to scale	
 <p>① x1</p>	<p>Ⓐ x2</p> <p>500667</p> 	<p>③ x1</p> <p>800878</p> 				
	<p>Ⓑ x2</p> <p>500613</p> 	<p>Ⓐ x1</p> <p>500667</p> 	<p>Ⓑ x1</p> <p>500613</p> 			
	<p>TX45 x2</p> <p>500720</p> 	<p>Ⓒ x4</p> <p>601543</p> 				
905804		<p>Ⓓ x4</p> <p>601542</p> 				
<p>② x2</p> <p>805802</p> 	<p>TX30 x1</p> <p>500473</p> 	<p>TX45 x2</p> <p>500720</p> 				

1. x2



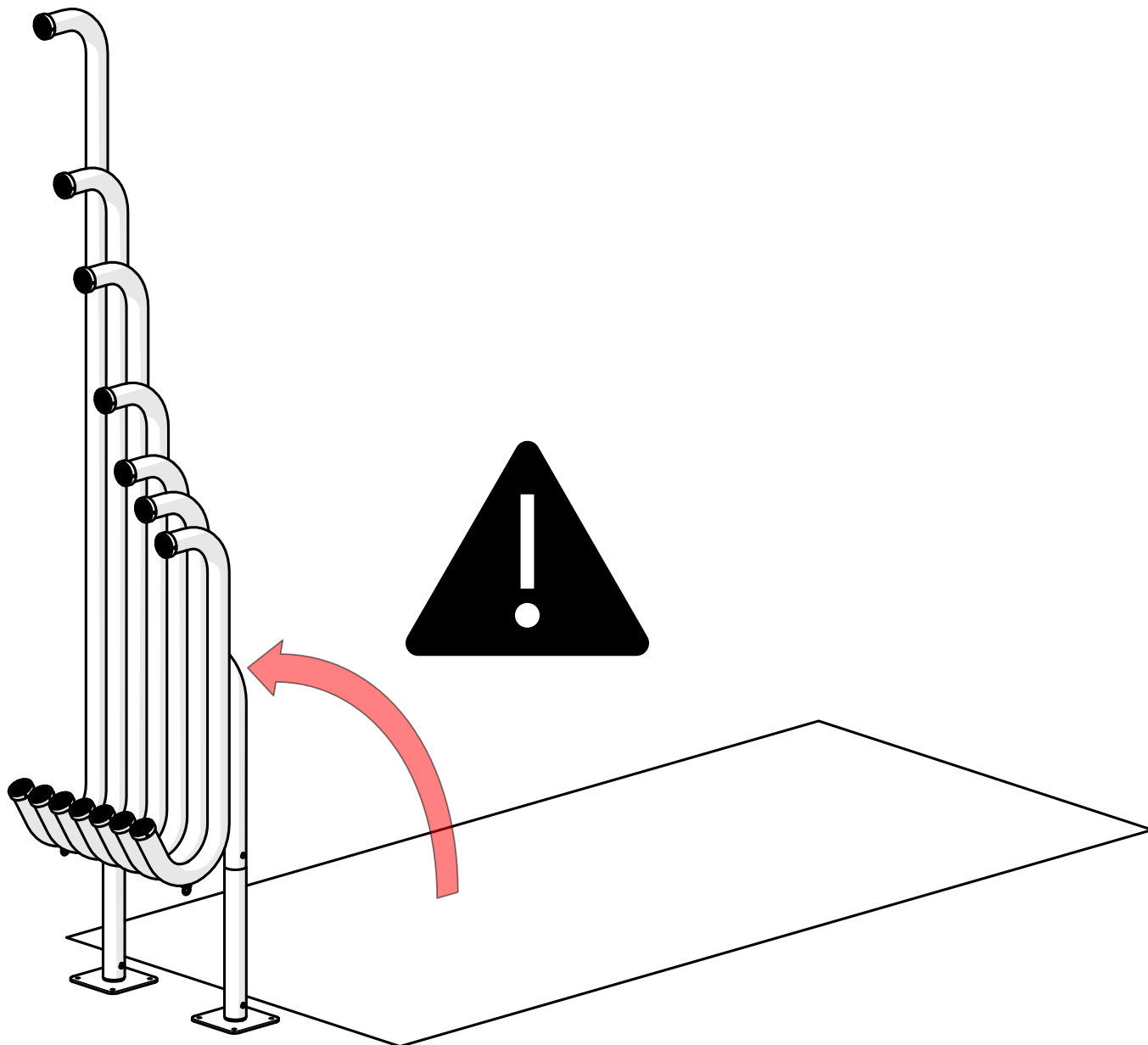
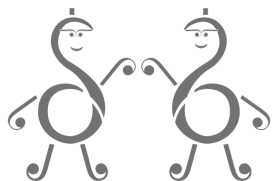
x2

x2 TX45

A		x4
B		x4

x2

2.



3. x2

Surface fixing should not present a hazard



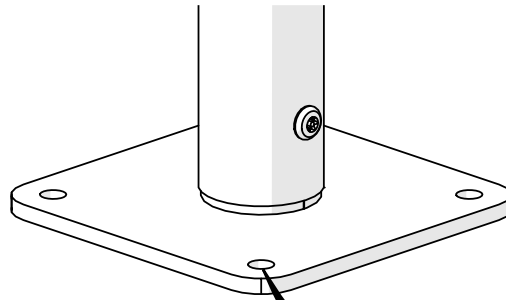
Refer to your local Health & Safety standards

C		x8
D		x8

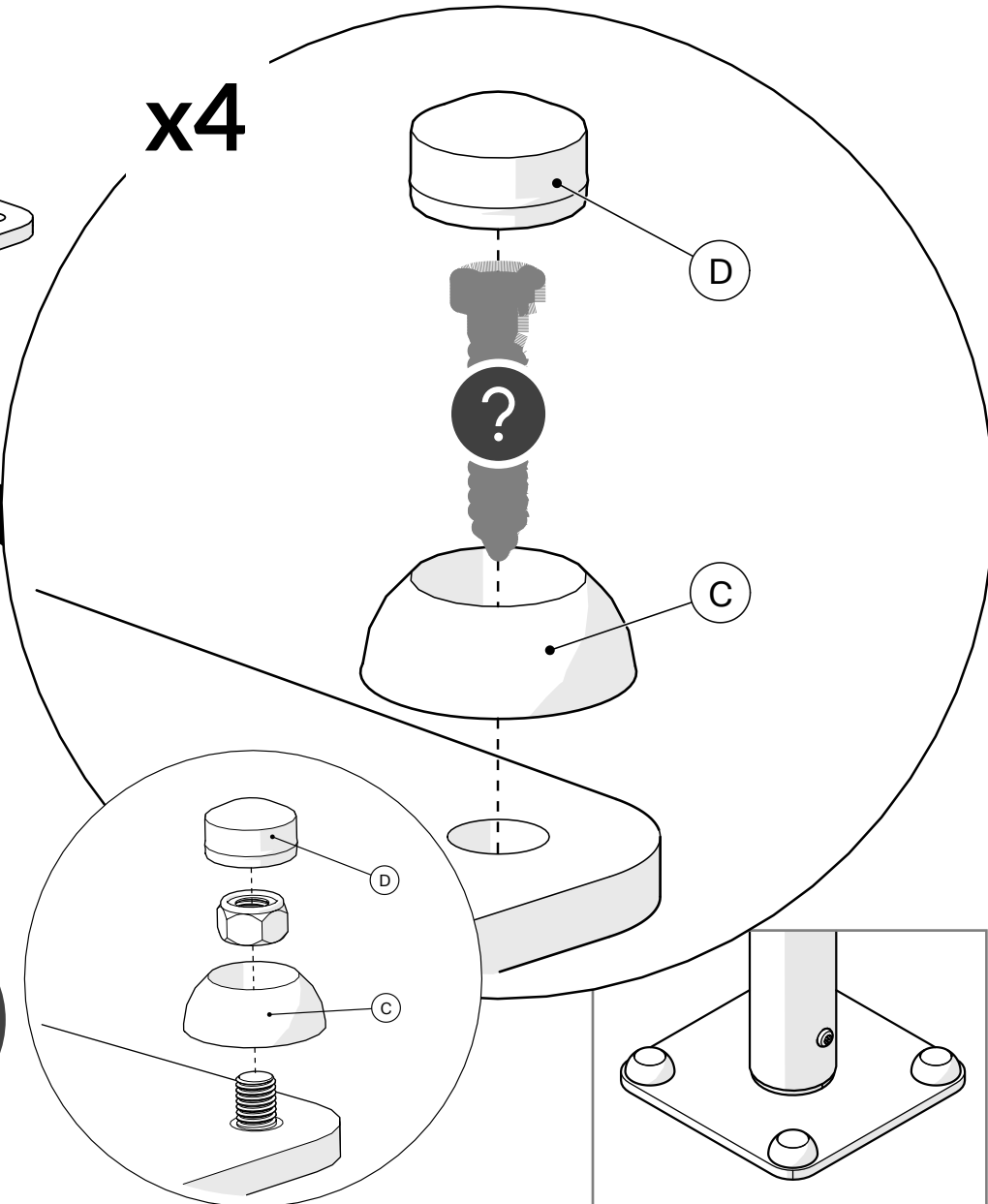
Surface

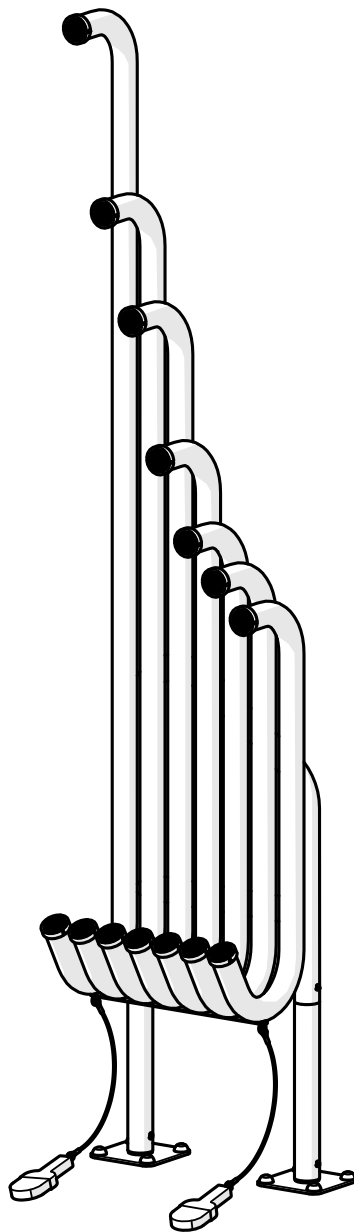
Example fixing

	Wood		x8
	Concrete		x8
	Brick		x8



x4





percussionplay.com



info@percussionplay.com



UK
[01730 235 180](tel:01730235180)

USA & CAN
[+1 \(866\) 882 9170](tel:+18668829170)

EUR & ROW
[+44 1730 235 180](tel:+441730235180)