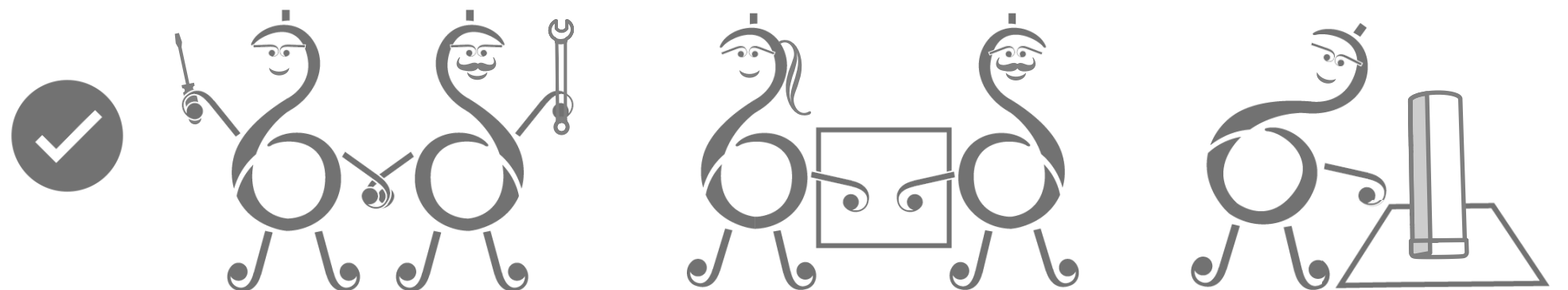
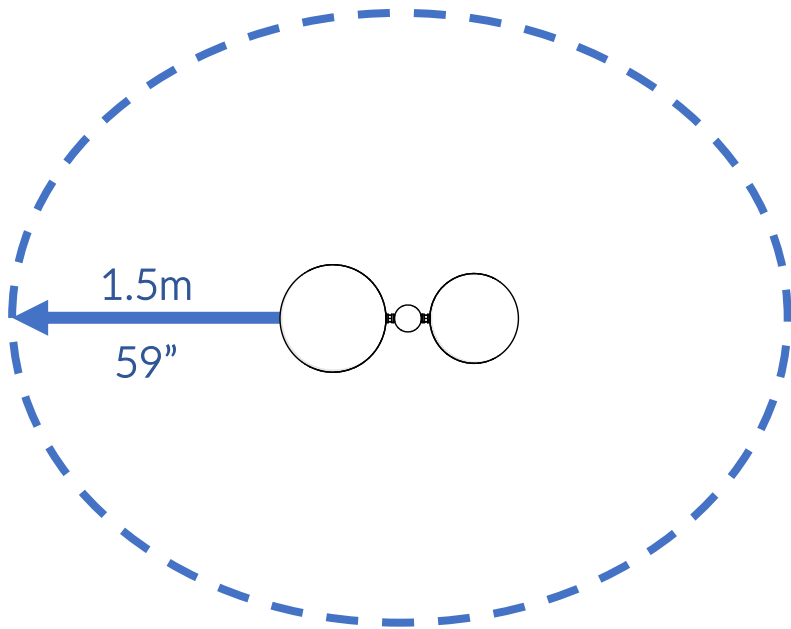


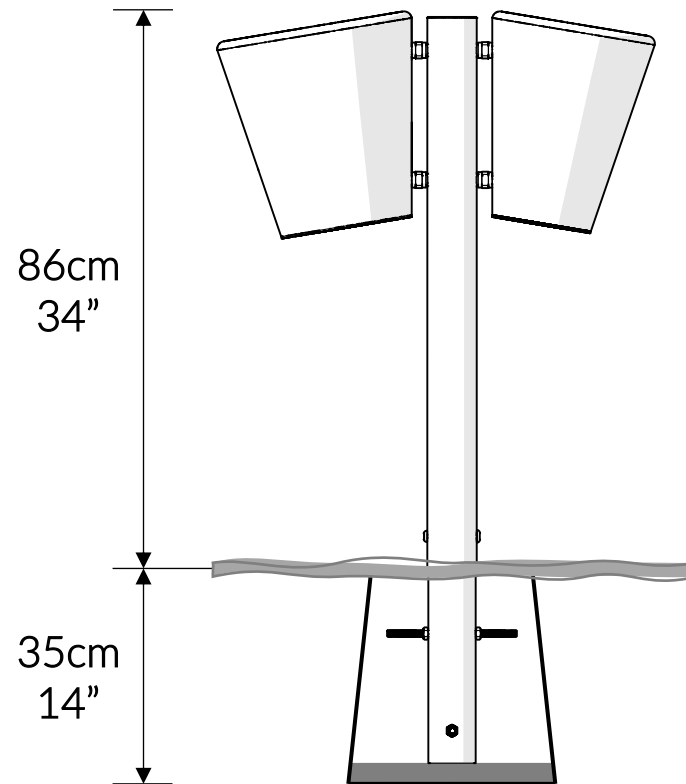
Part Reference	Description
PP-STCO-DUO-GF	Street Congas Duo (Ground Fix)



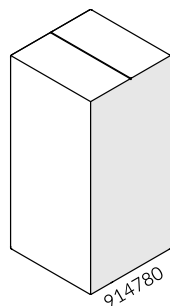




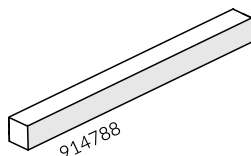
Check Risk Assessment



Packages



x1

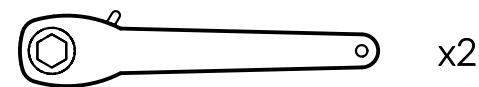


x1

		L	W	H	Weight	Net
x1	914780	77cm / 30"	37cm / 14.5"	37cm / 14.5"	21kg / 46lbs	
x1	914788	115cm / 45"	11cm / 4.5"	11cm / 4.5"	4kg / 9lbs	

Tools required (not supplied)

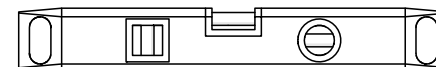
¼" Bit Driver Ratchet



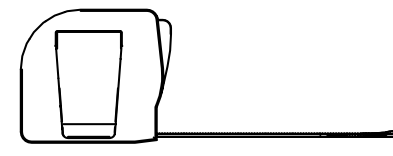
11/16" / 17mm Spanner

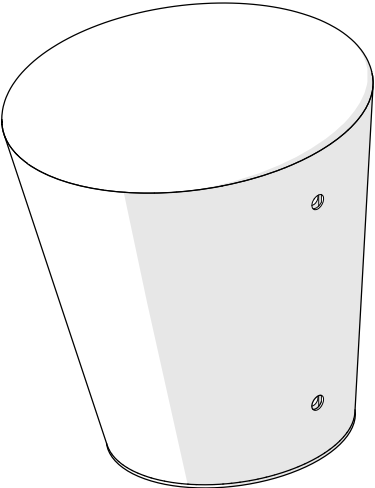
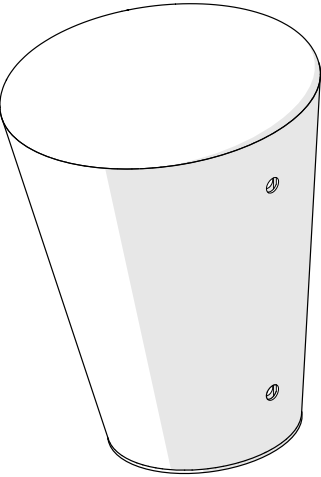
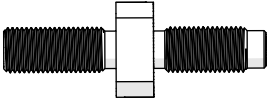
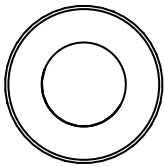





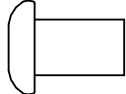


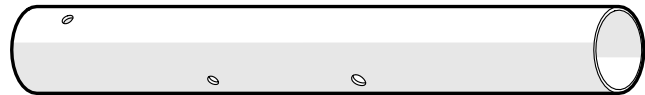
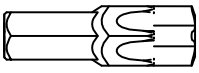
Spirit level



Tape Measure

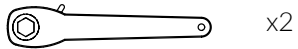


914780	
<p>① x1 814314</p> 	<p>② x1 814317</p> 
<p>⑤ x4 614102</p> 	<p>⑥ x8 614445</p> 

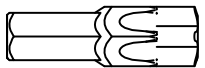
914788		
<p>Ⓐ x1 500667</p> 		<p>③ x1 814781</p> 
<p>Ⓑ x1 500613</p> 		<p>Ⓓ x2 500627</p> 
<p>Ⓒ x4 500457</p> 		<p>④ x1 605468</p> 
<p>TX45 x2 500720</p> 		

1.


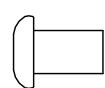
1.1

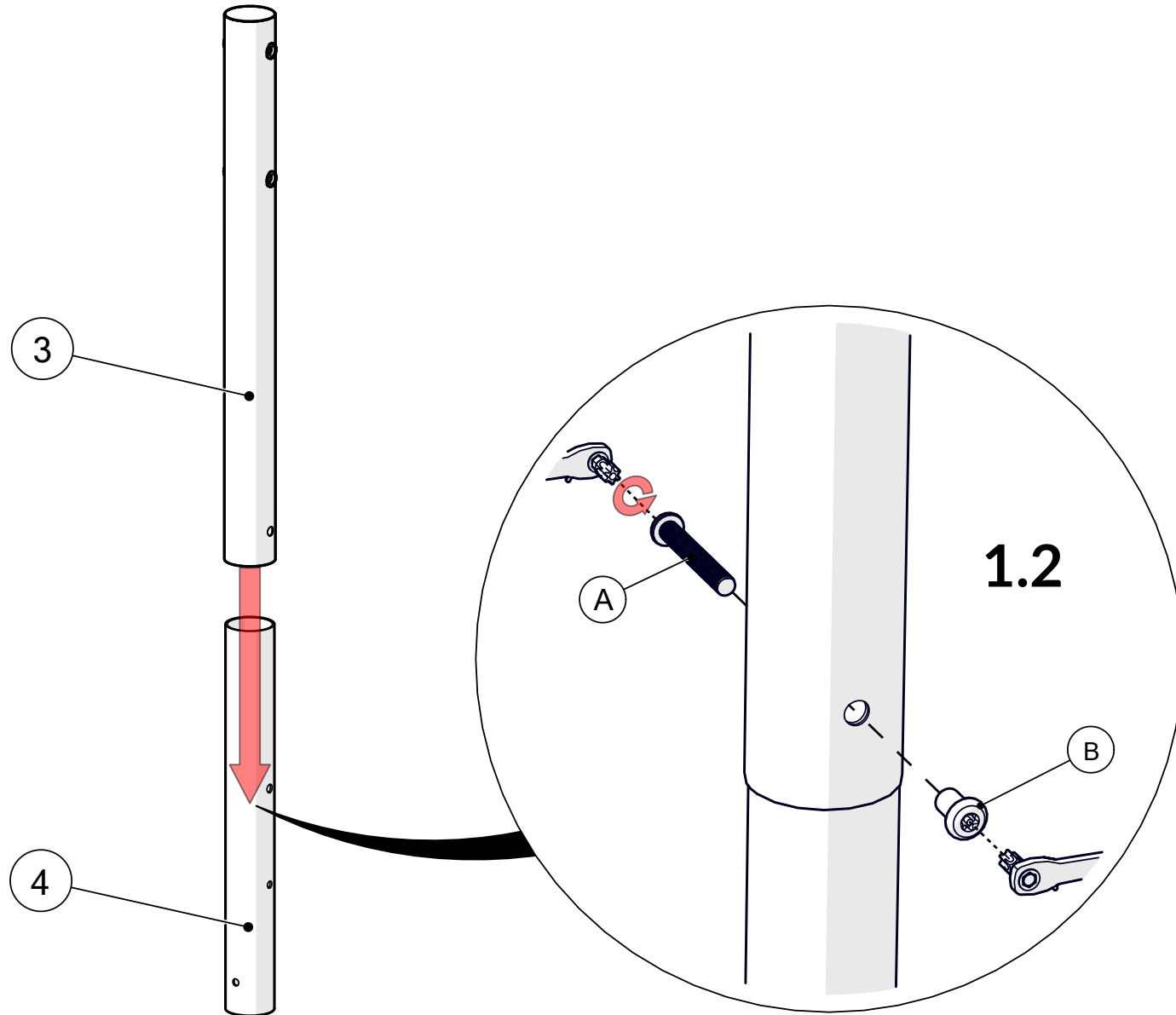


x2

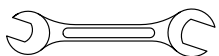
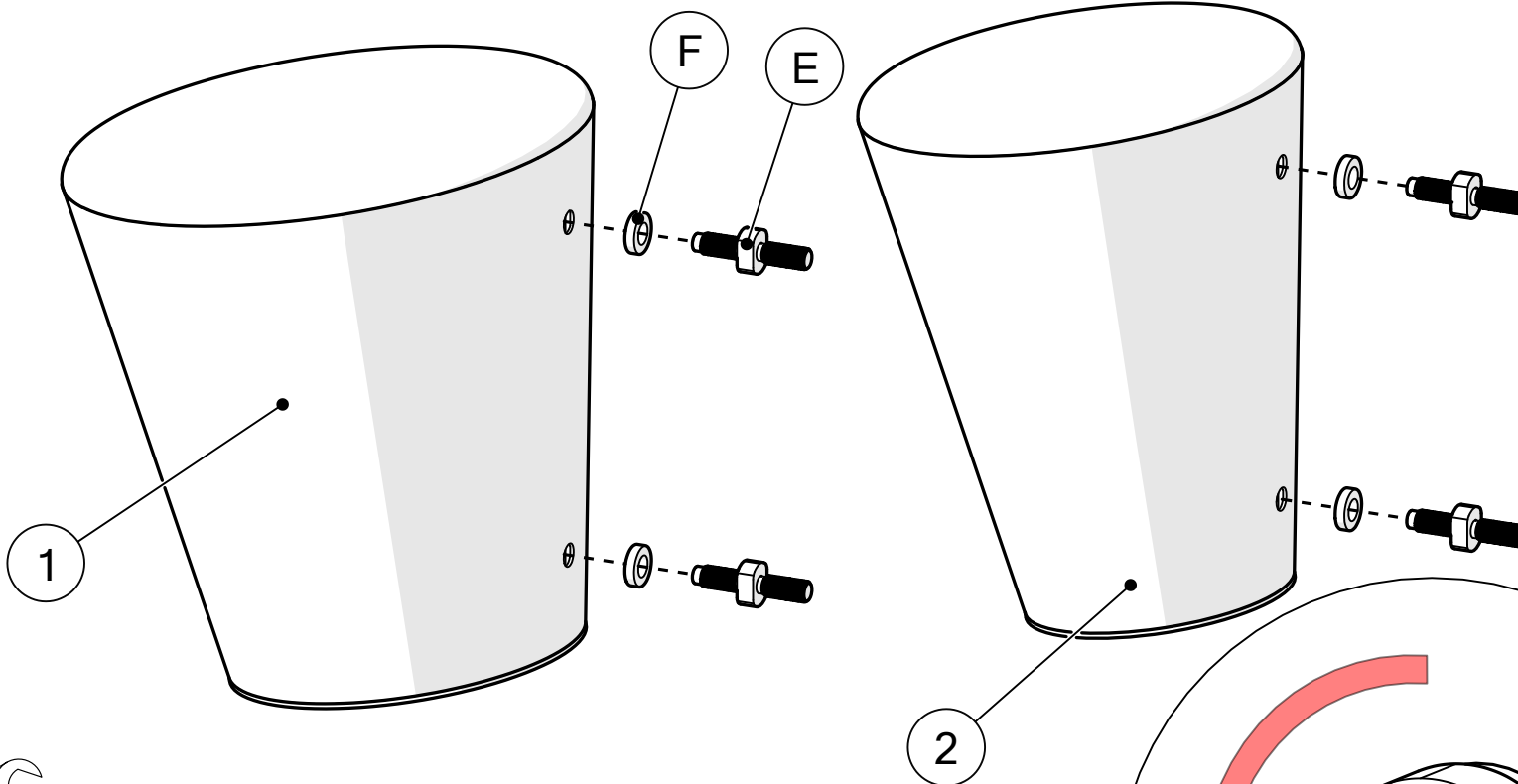


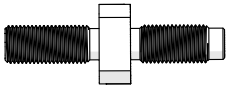
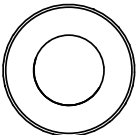
x2 TX45

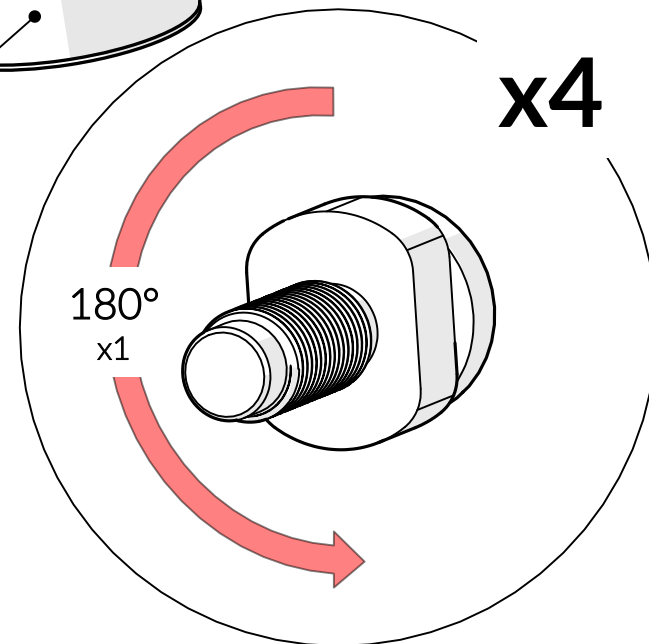
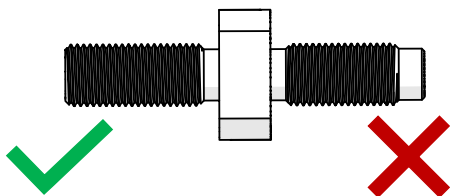
A		x1
B		x1



2.

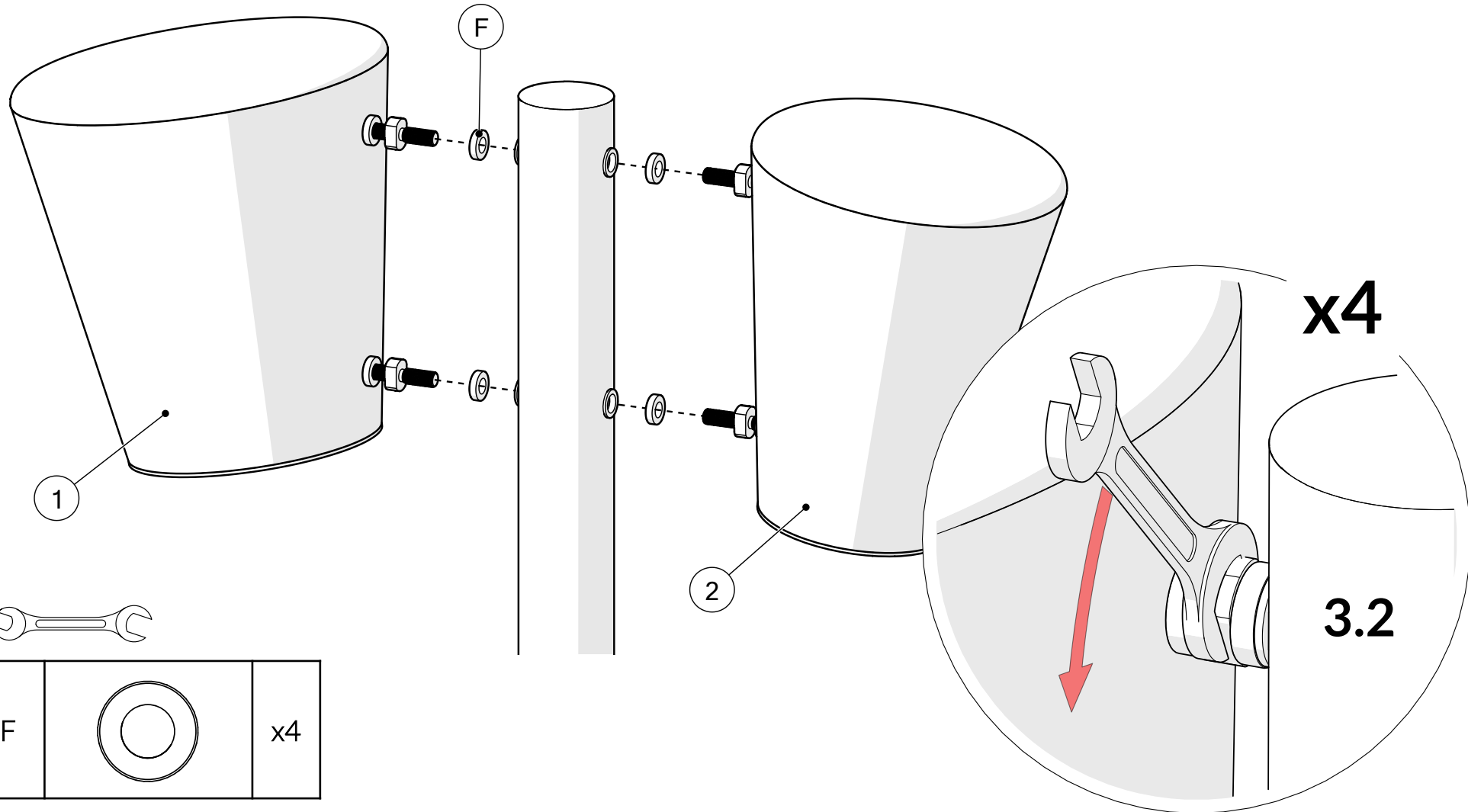


E		x4
F		x4



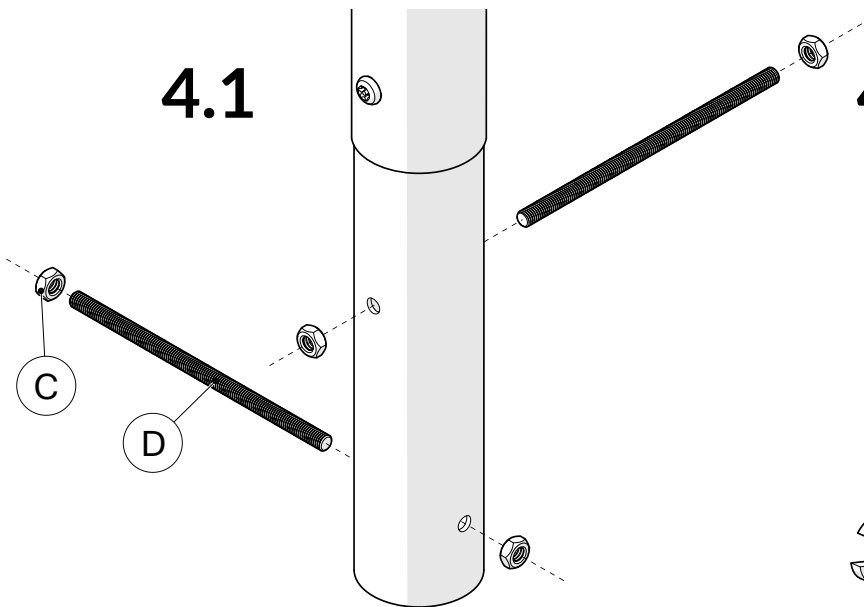
3.

3.1

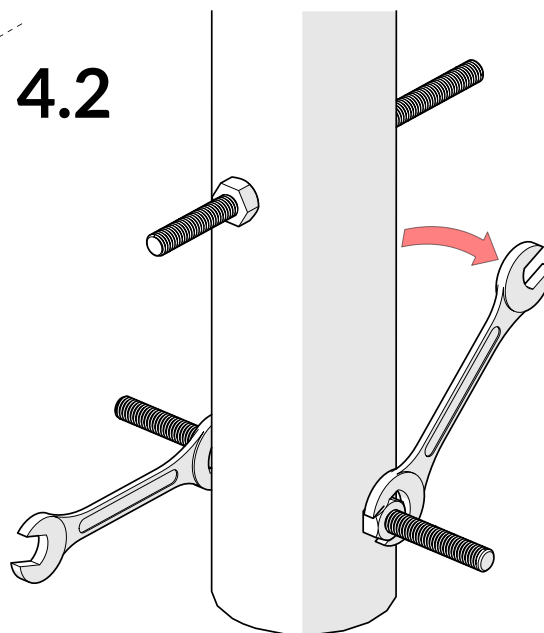


4.

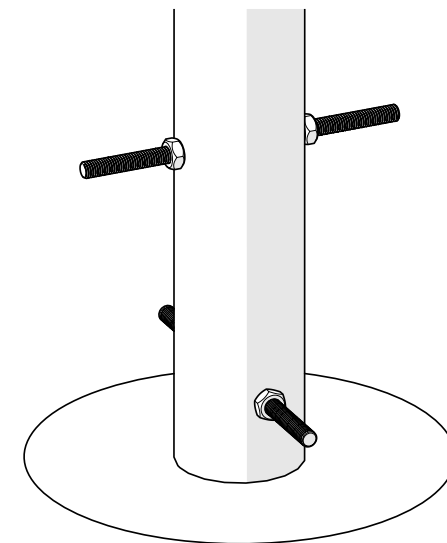
4.1





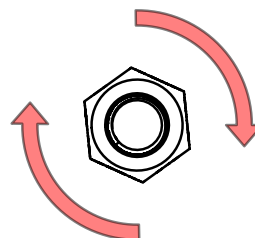
4.2



4.3



C		x4
D		x2

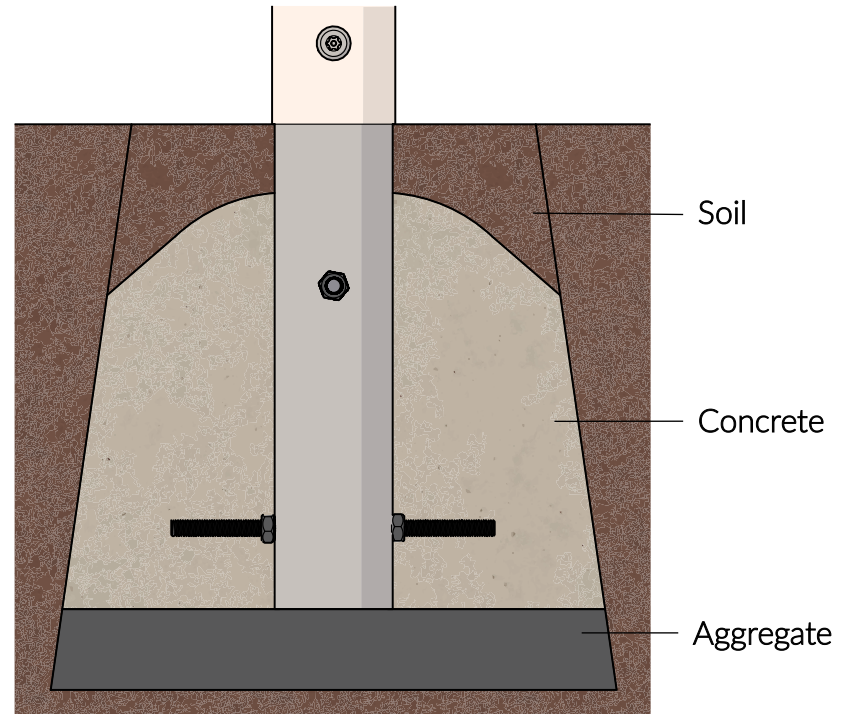
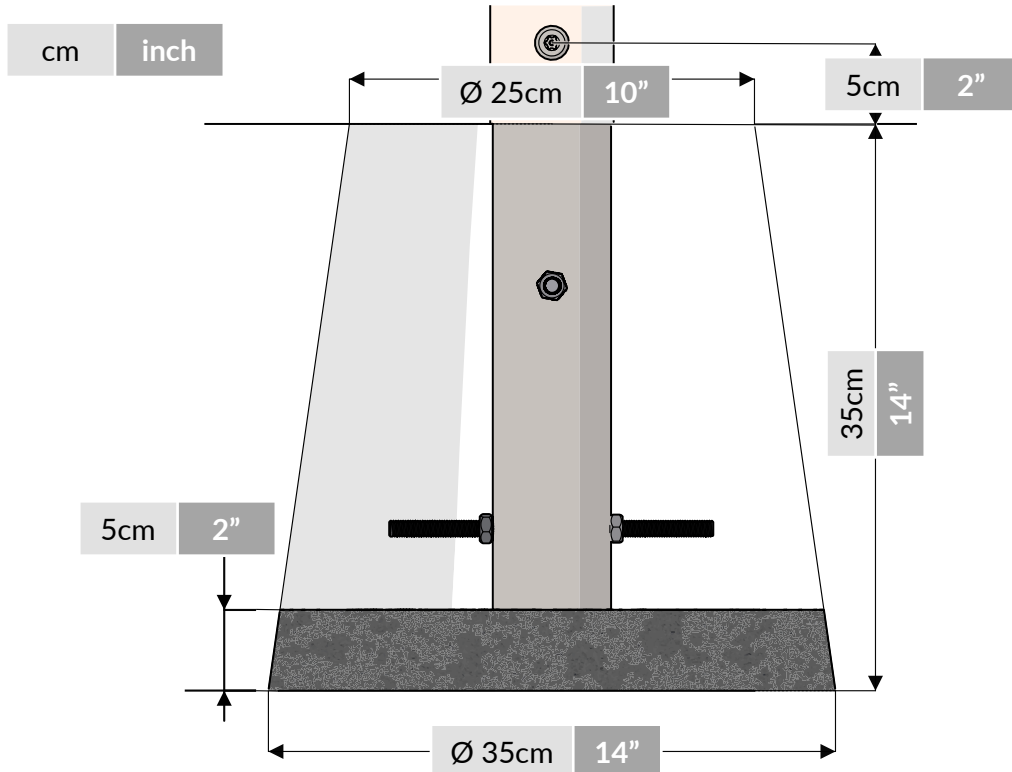
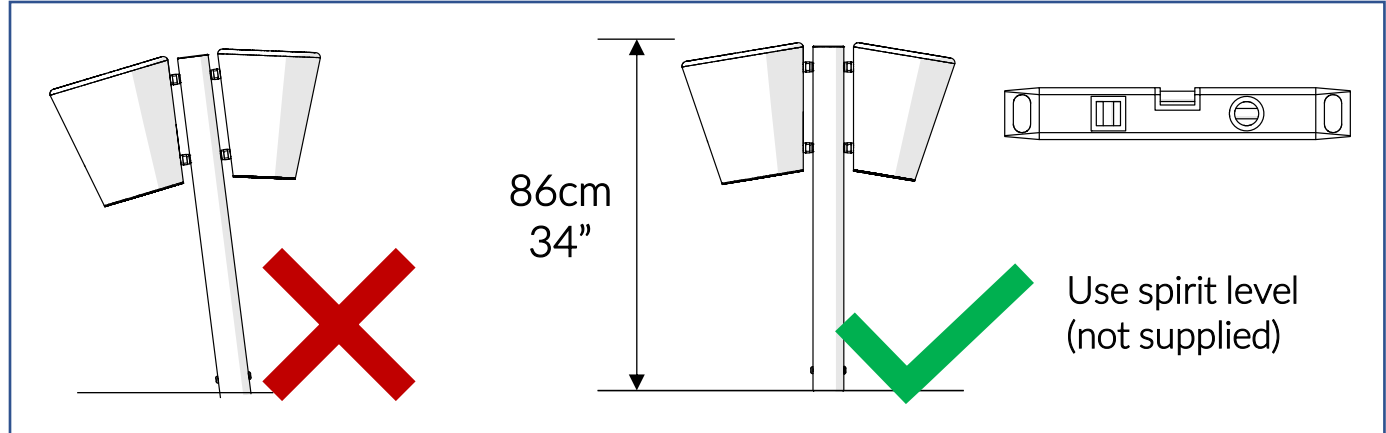


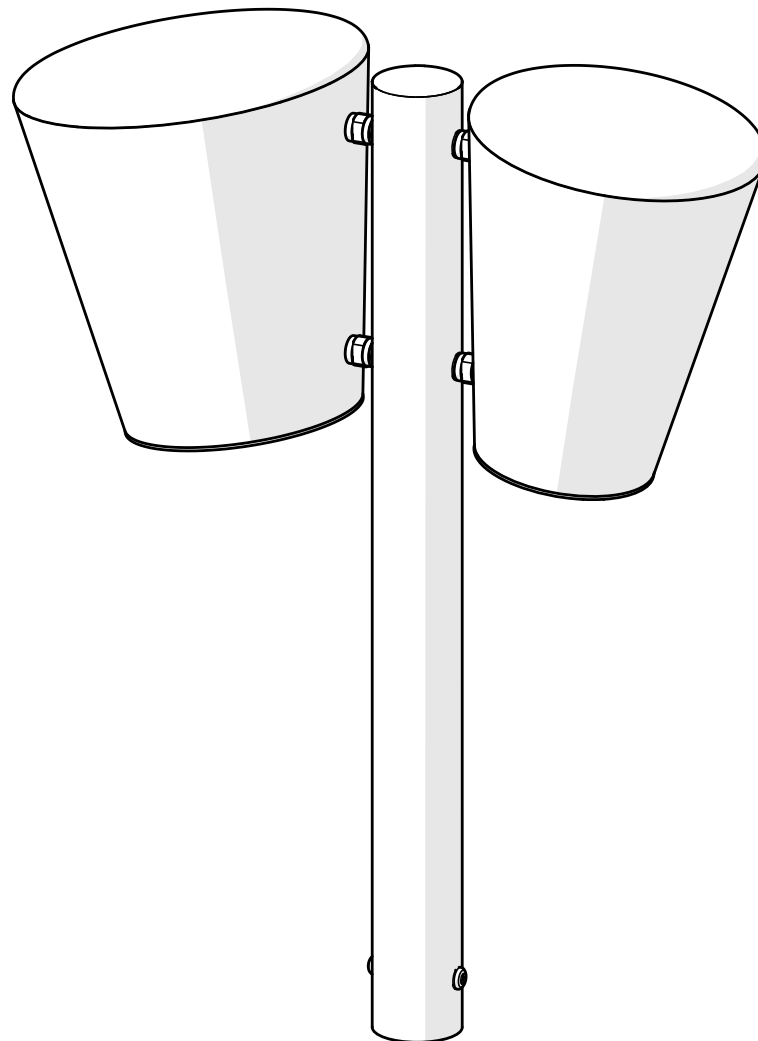
5.



Foundations should not present a hazard

Refer to your local Health & Safety standards





percussionplay.com



info@percussionplay.com



UK
[01730 235 180](tel:01730235180)

USA & CAN
[+1 \(866\) 882 9170](tel:+18668829170)

EUR & ROW
[+44 1730 235 180](tel:+441730235180)