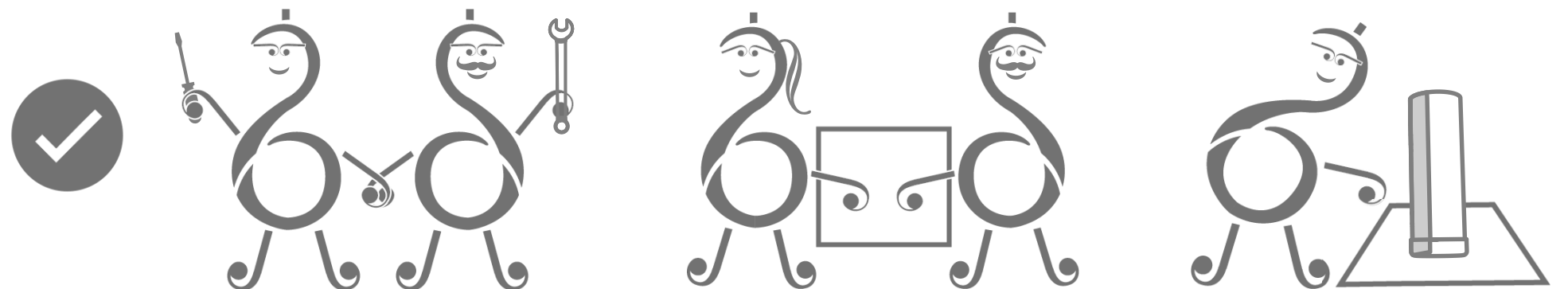
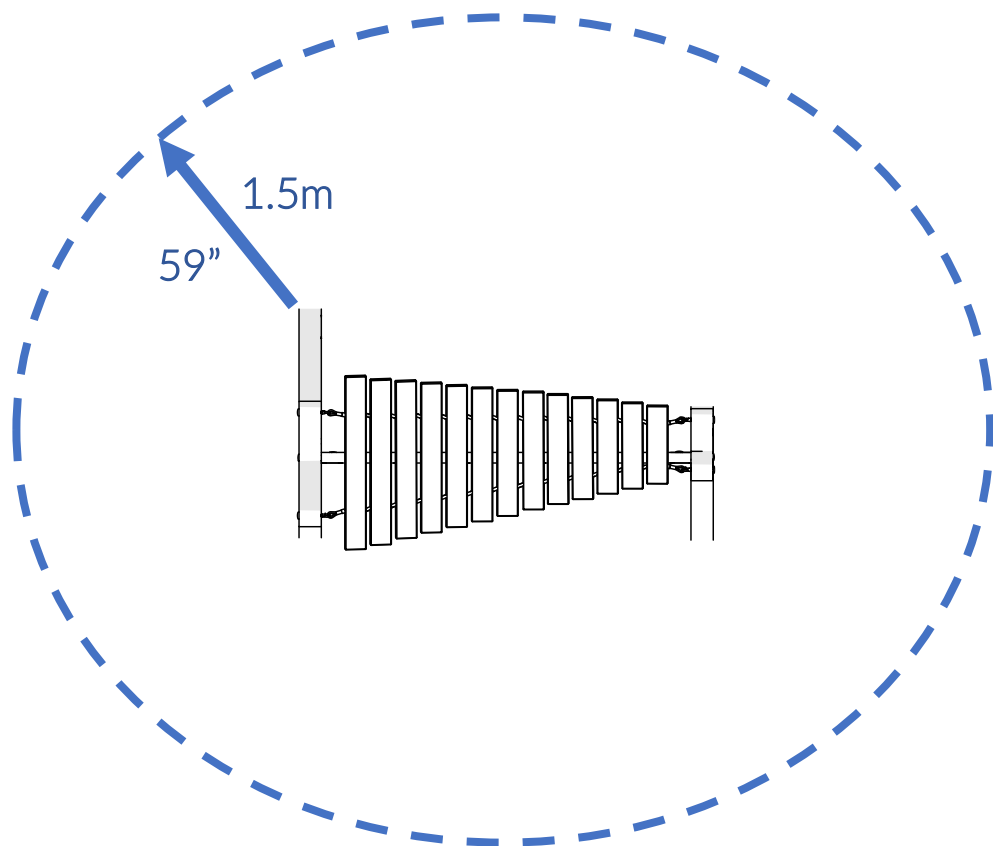


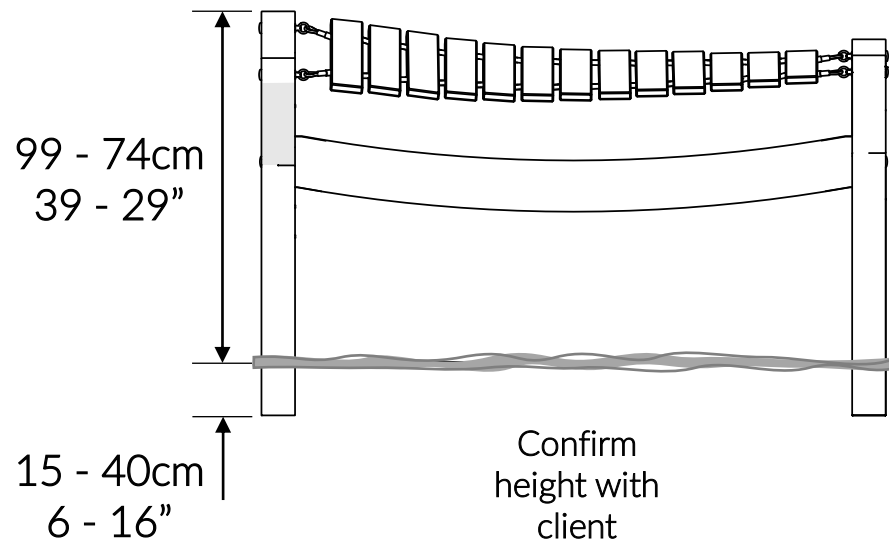
Part Reference	Description
PP-AKAD-GR	Akadinda - (Ground Fix)



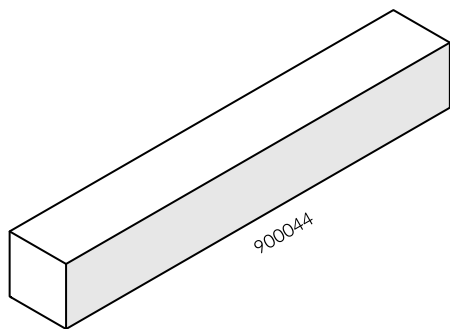




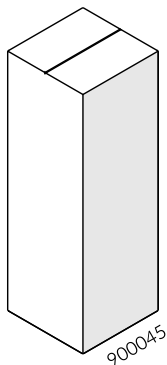
Check Risk Assessment



## Packages



x1

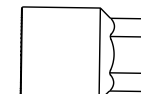
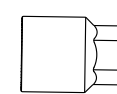


x1

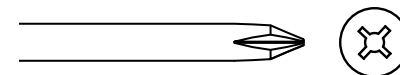
		L	W	H	Weight	Net
x1	900044	170cm / 67"	25cm / 10"	25cm / 10"	25kg / 55lbs	
x1	900045	80cm / 31.5"	27cm / 10.5"	27cm / 10.5"	15kg / 33lbs	

## Tools required (not supplied)

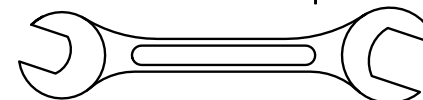
¼" Bit Driver Ratchet    ½" + 21/32" Socket spanner



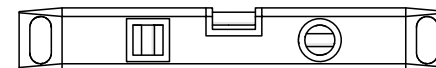
Crosshead Screwdriver



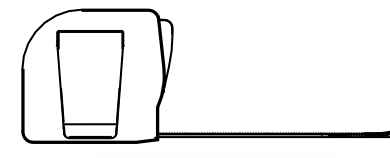
11/16" / 17mm Spanner

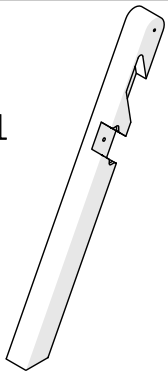
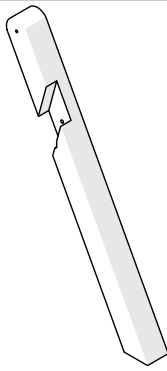
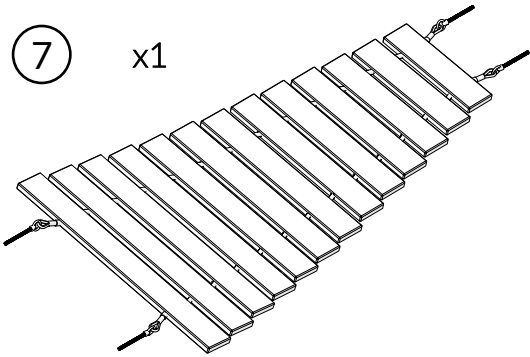
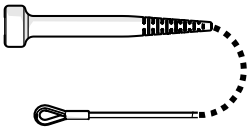
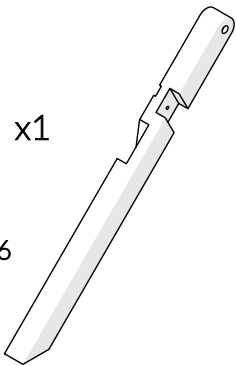
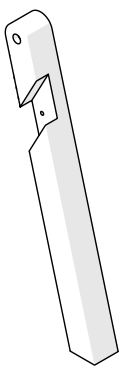

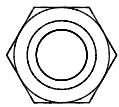
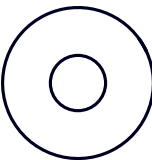
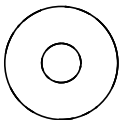
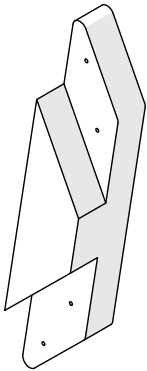
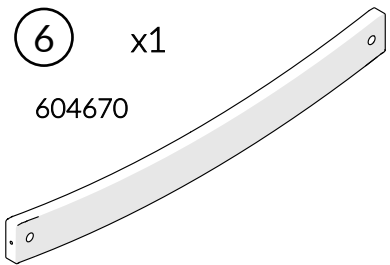
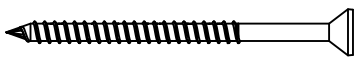
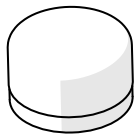
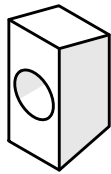
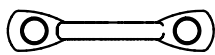

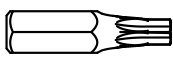


Spirit level



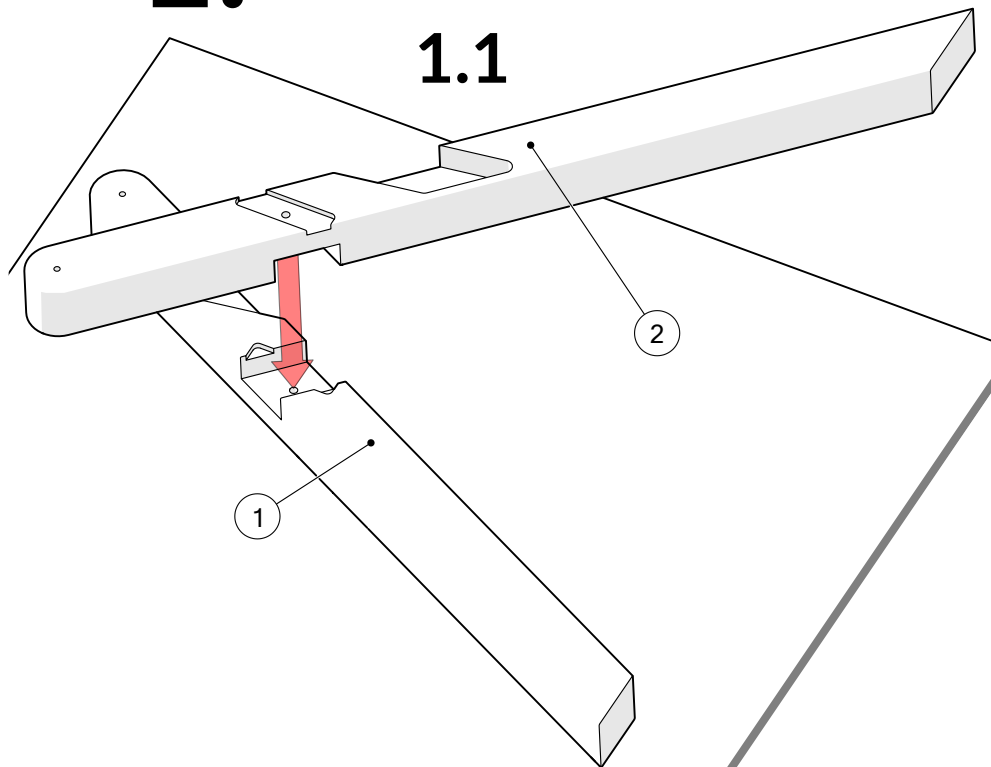
Tape Measure



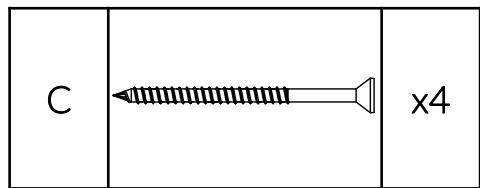
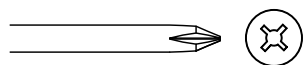
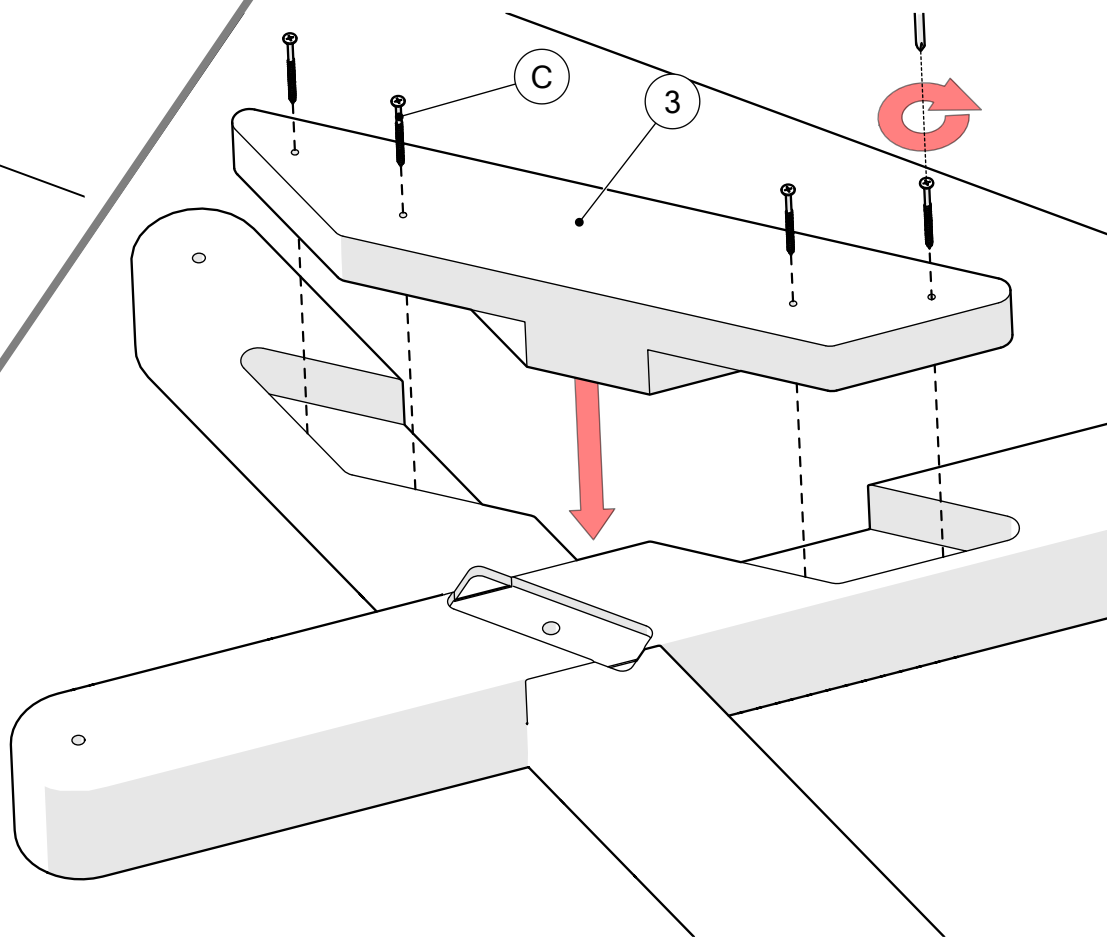
900044		900045		Not to scale
<p>① x1 L27 604665</p> 	<p>④ x1 R28 604668</p> 	<p>⑦ x1</p> 	<p>⑧ x4 900832</p> 	
<p>② x1 L45 604666</p> 	<p>⑤ x1 R15 604669</p> 	<p>Ⓐ x2 500458</p> 	<p>Ⓔ x4 500676</p> 	
		<p>Ⓑ x2 500444</p> 	<p>Ⓣ x8 500471</p> 	
<p>③ x1 604667</p> 	<p>⑥ x1 604670</p> 	<p>Ⓒ x4 500711</p> 	<p>Ⓛ x8 600721</p> 	
		<p>Ⓓ x2 500441</p> 	<p>Ⓜ x2 603150</p> 	
			<p>Ⓨ x4 500448</p> 	
			<p>TX25 x1 500472</p> 	

1.

1.1

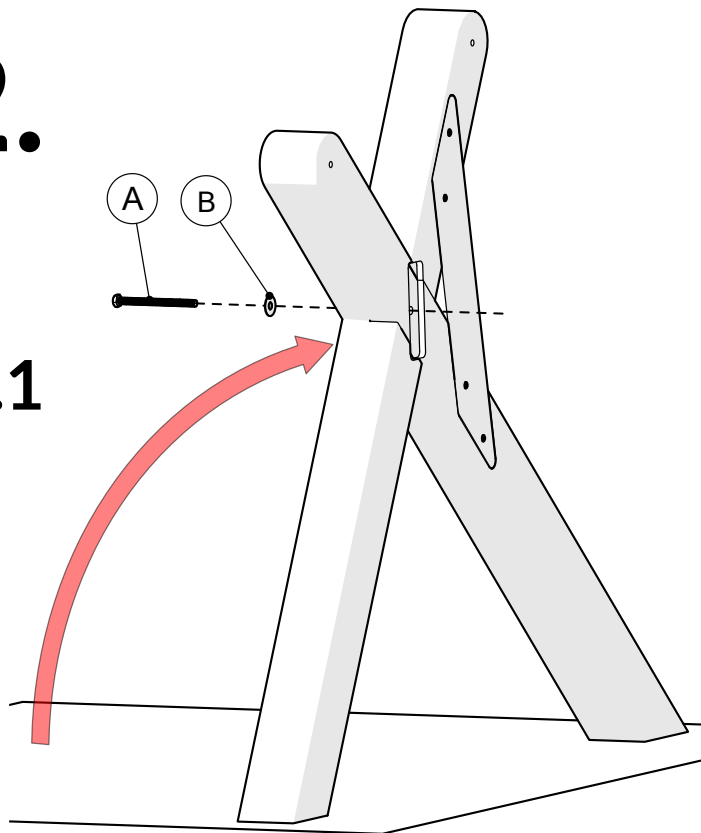



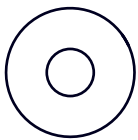
1.2



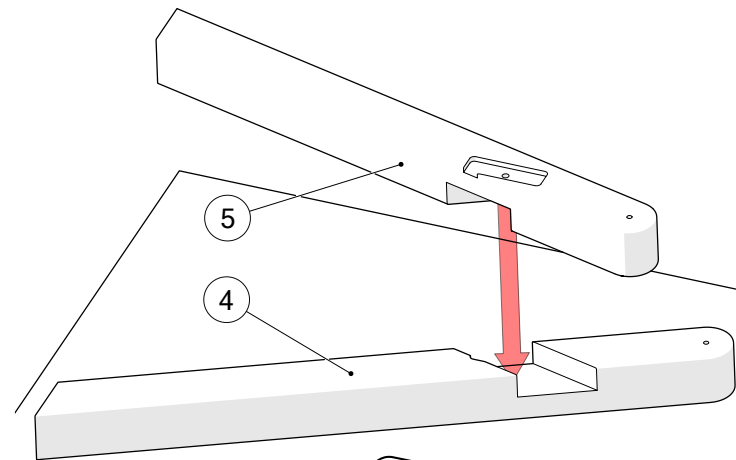
# 2.

## 2.1

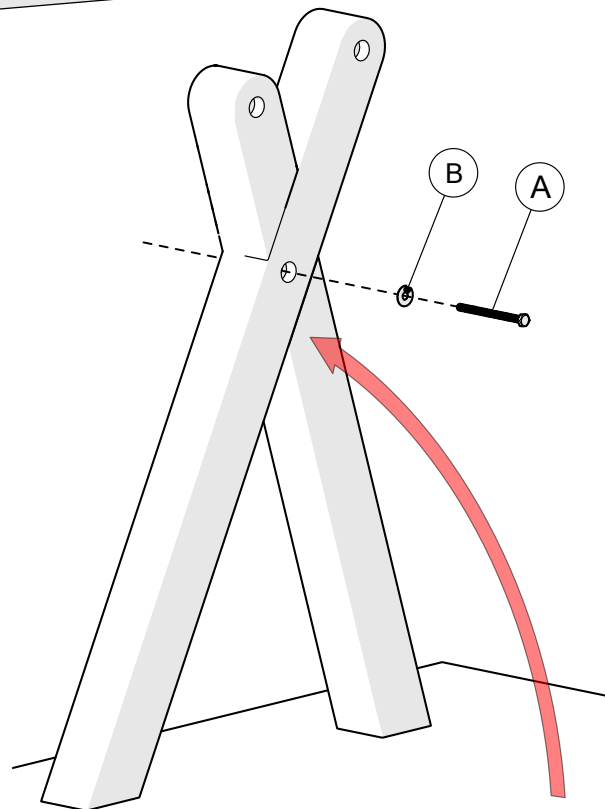


A		x2
B		x2

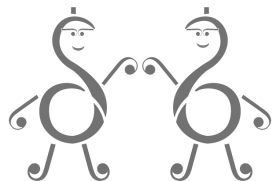
## 2.2



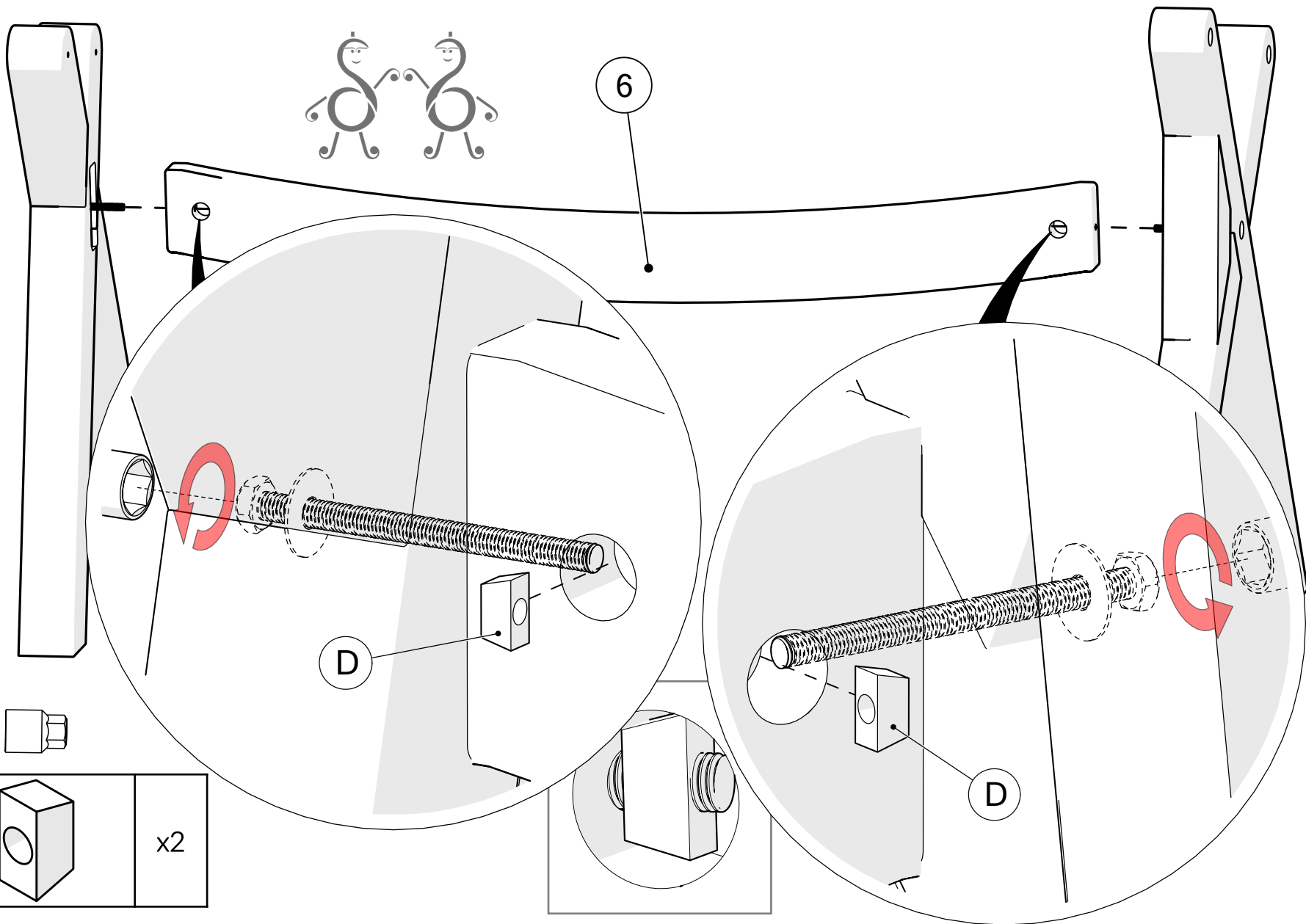
## 2.3



3.

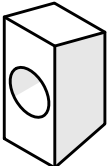


6



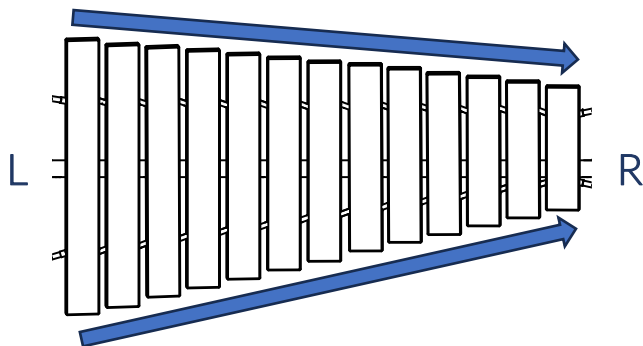
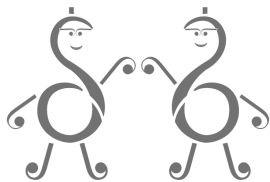
D

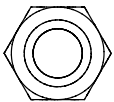
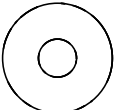
D

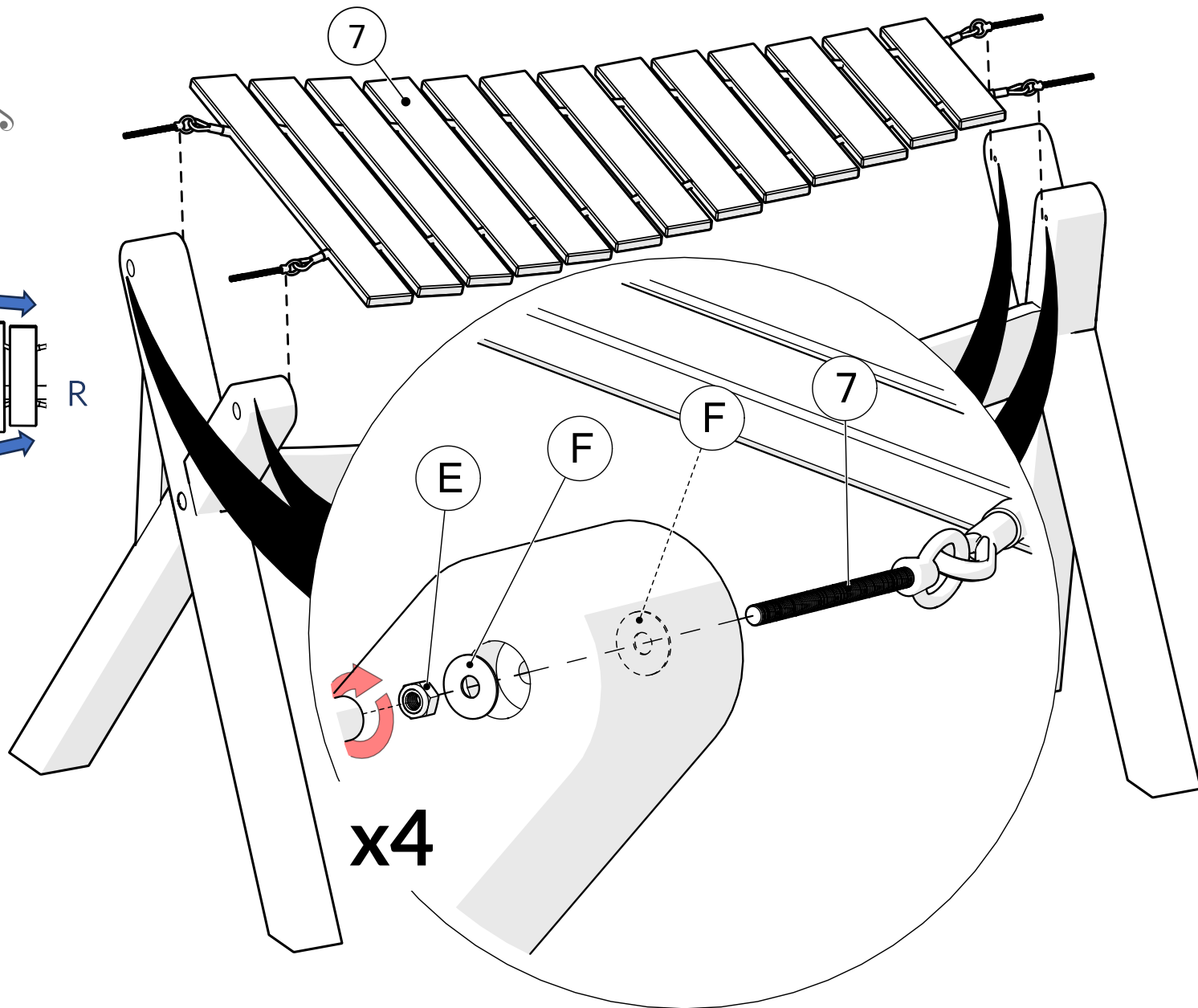
D		x2
---	---	----



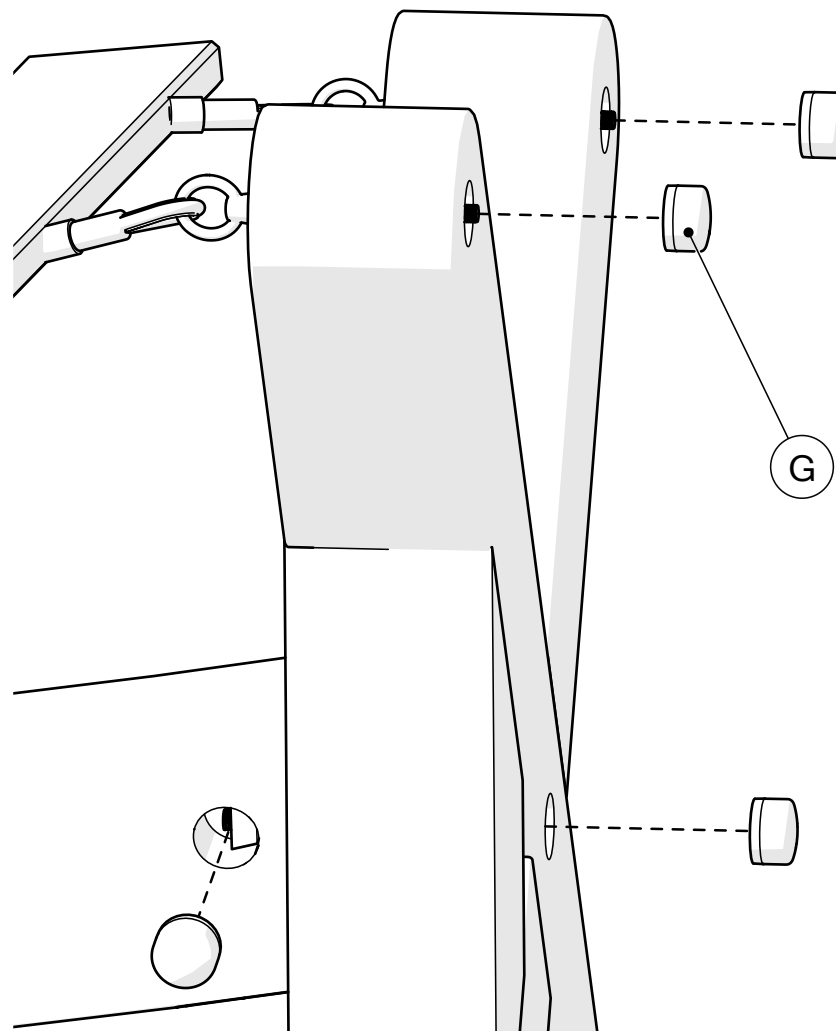
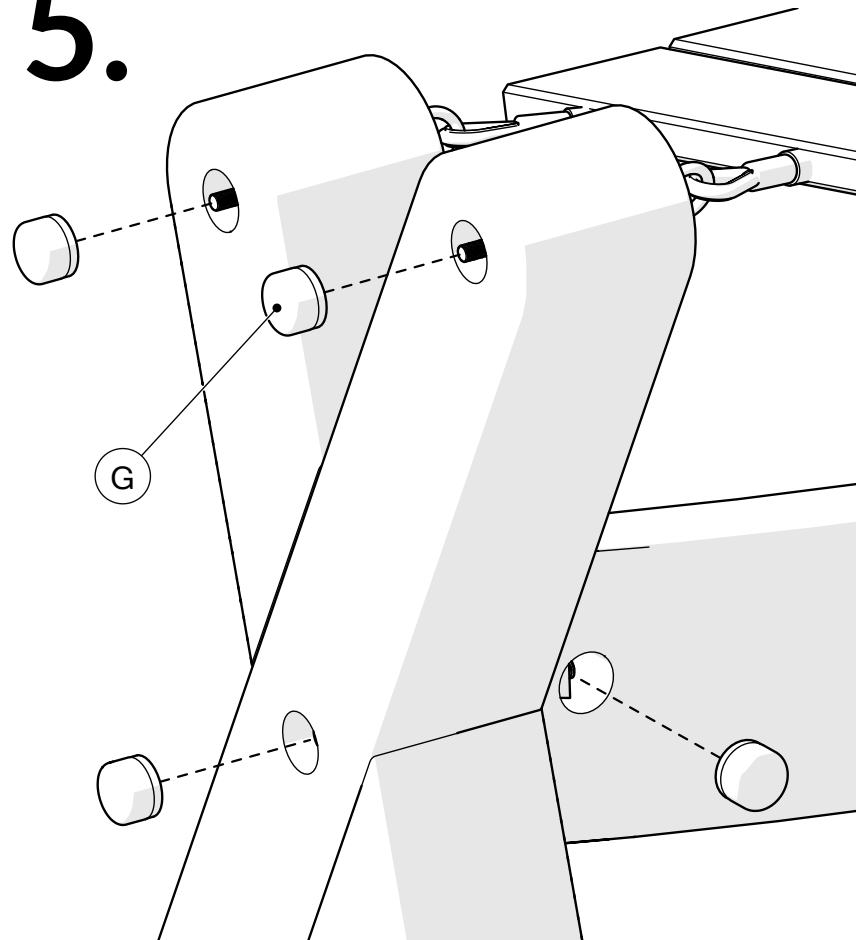
4.

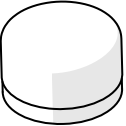


E		x4
F		x8



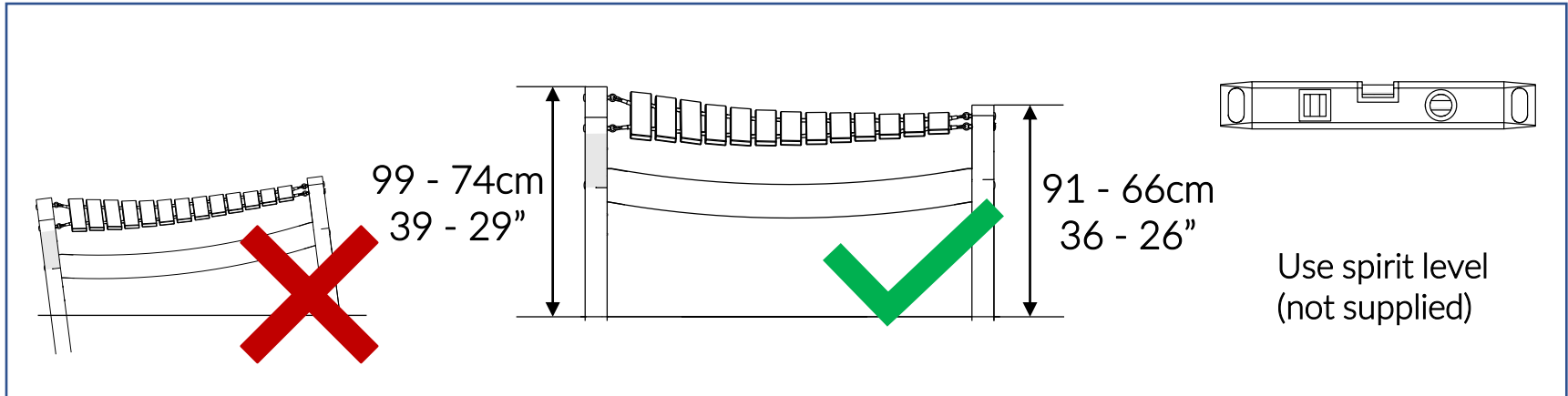
5.



G		x8
---	---	----

6.

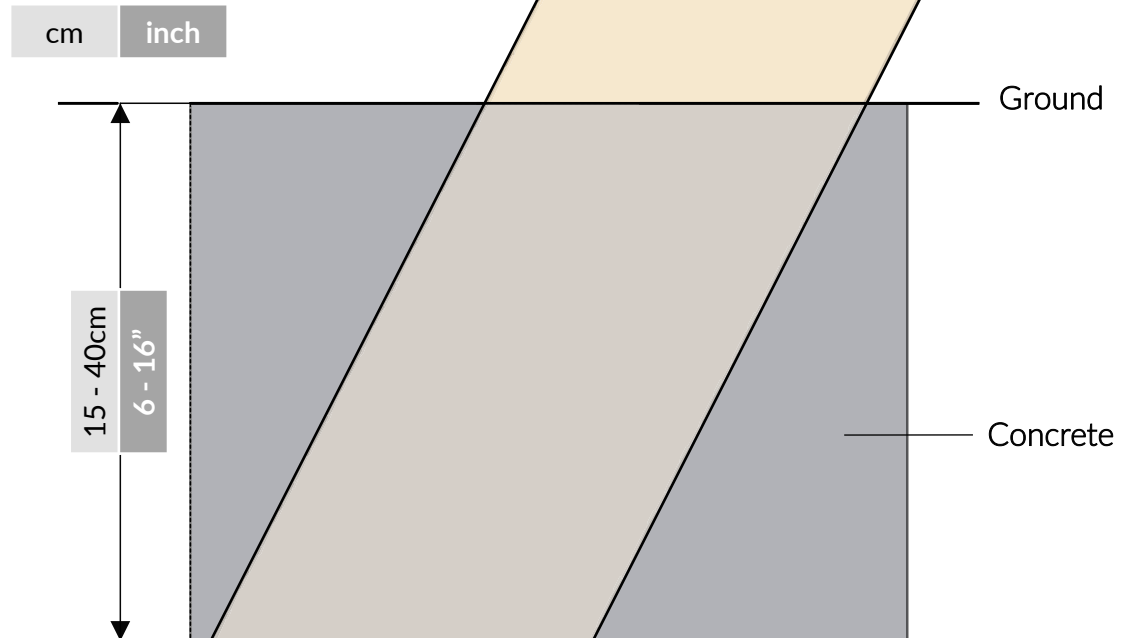
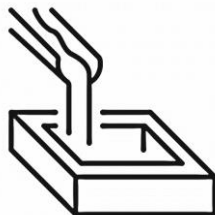
x4



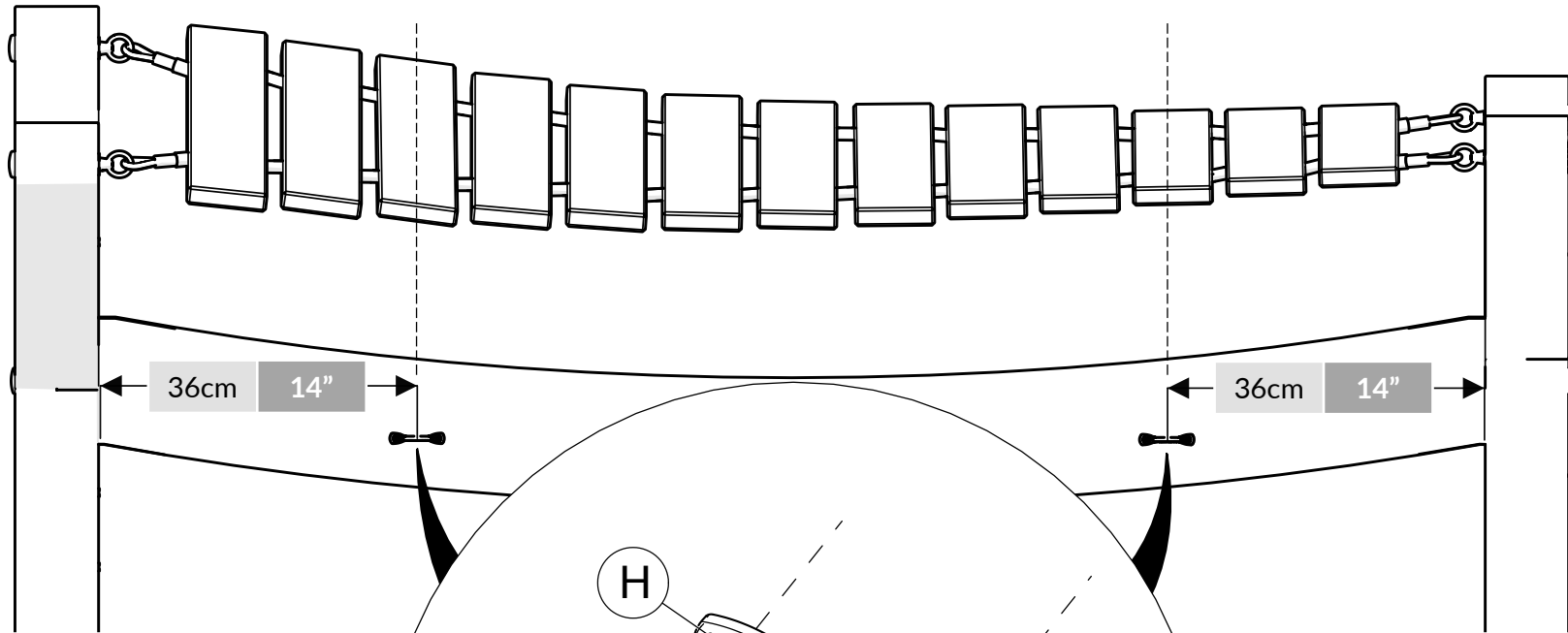
Foundations  
should not present  
a hazard



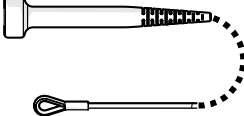
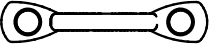

Refer to your local  
Health & Safety  
standards

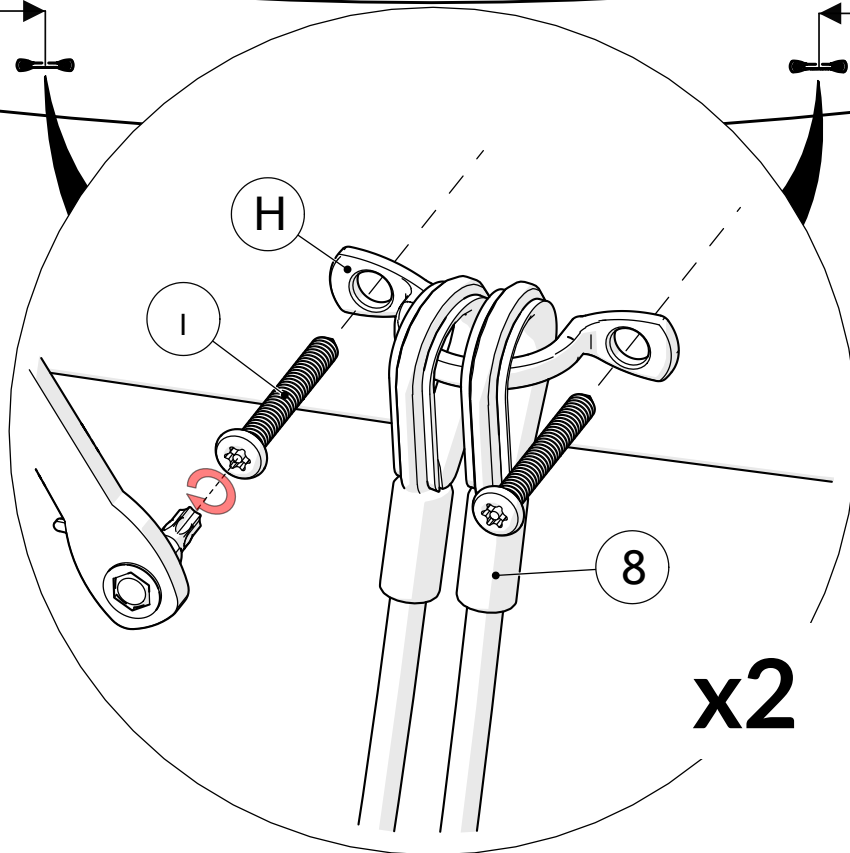


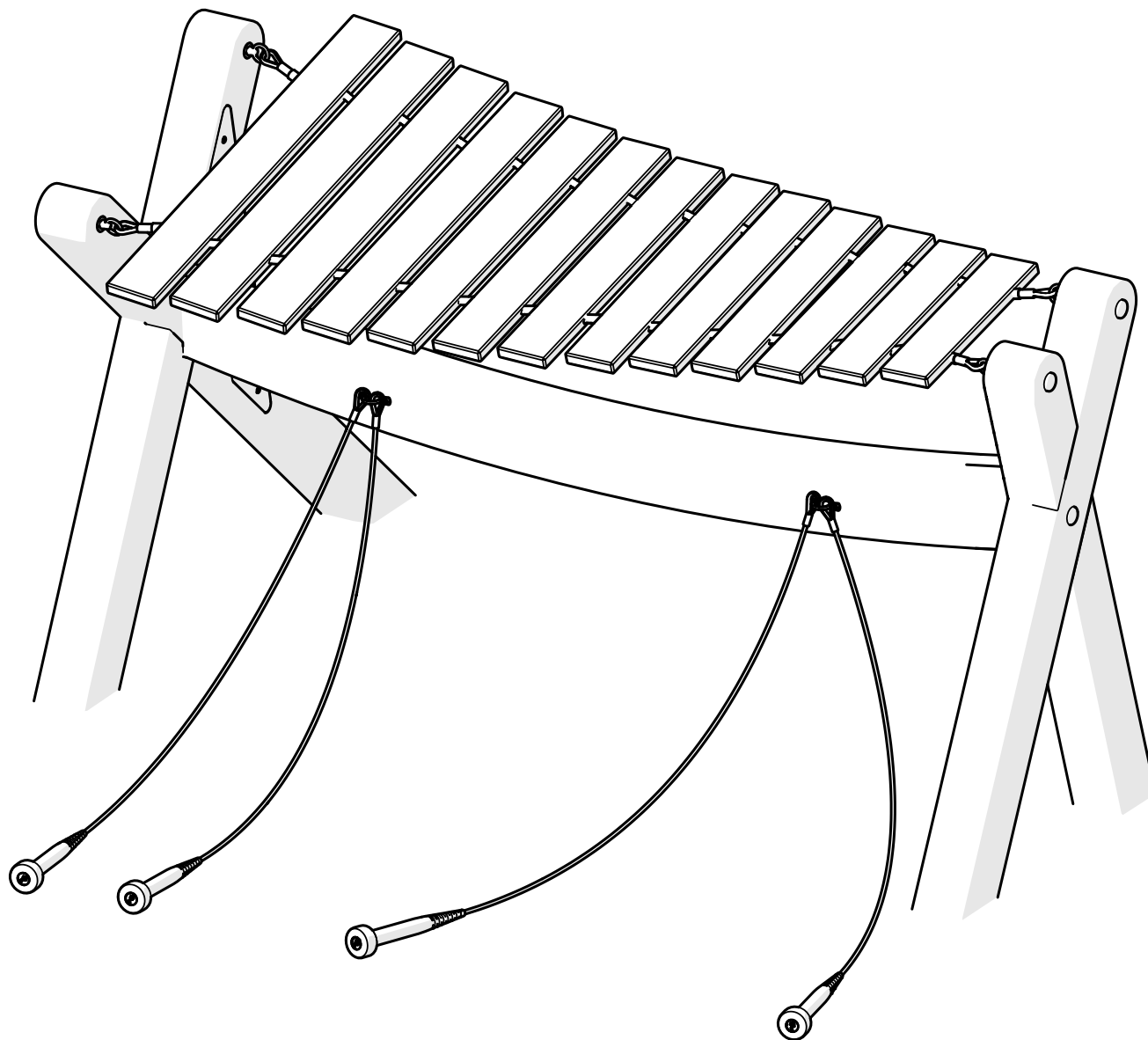
# 7.



TX25

8		x4
H		x2
I		x4





[percussionplay.com](http://percussionplay.com)



[info@percussionplay.com](mailto:info@percussionplay.com)



UK  
[01730 235 180](tel:+441730235180)

USA & CAN  
[+1 \(866\) 882 9170](tel:+18668829170)

EUR & ROW  
[+44 1730 235 180](tel:+441730235180)