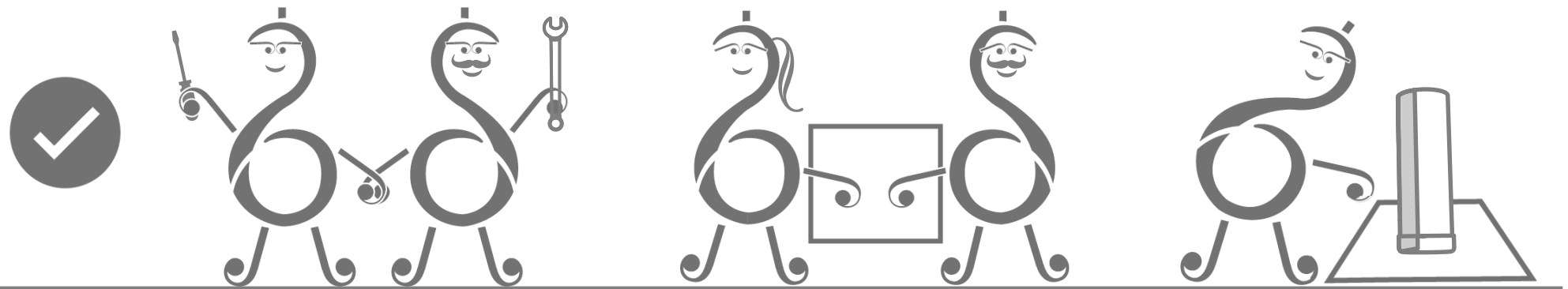
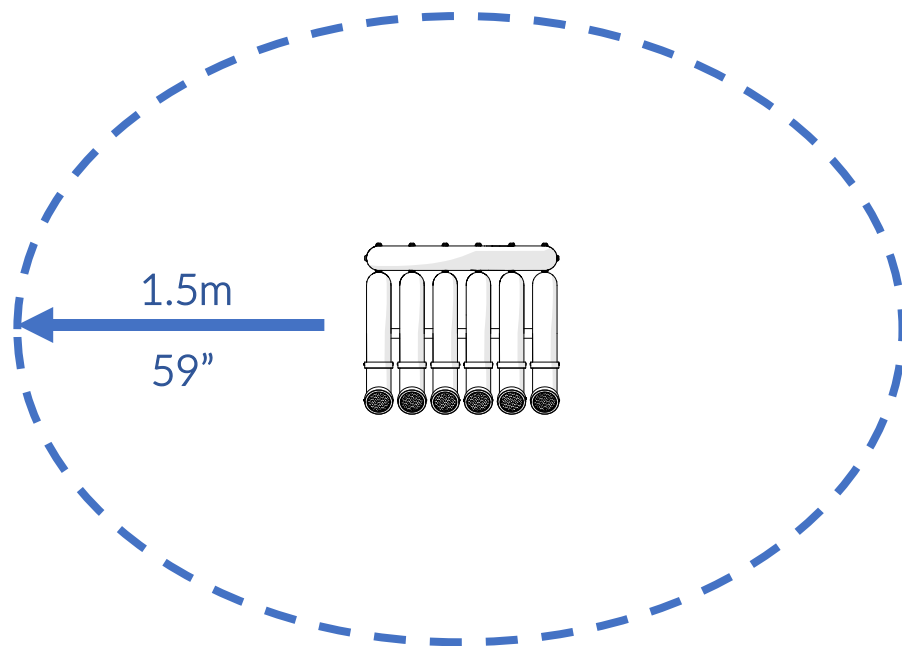


Part Reference	Description
PP-TEMB-PE-GR	Tembos - with closed cell foam paddles (Ground Fix)



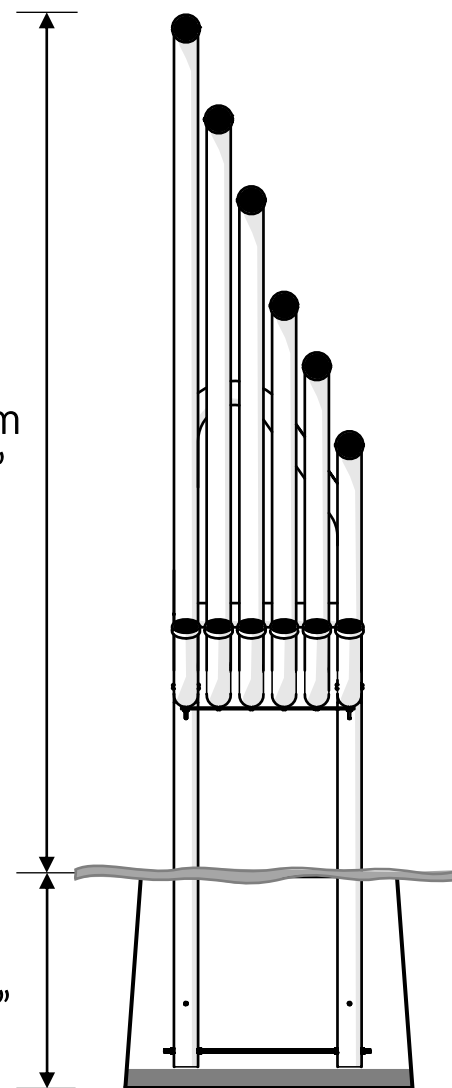




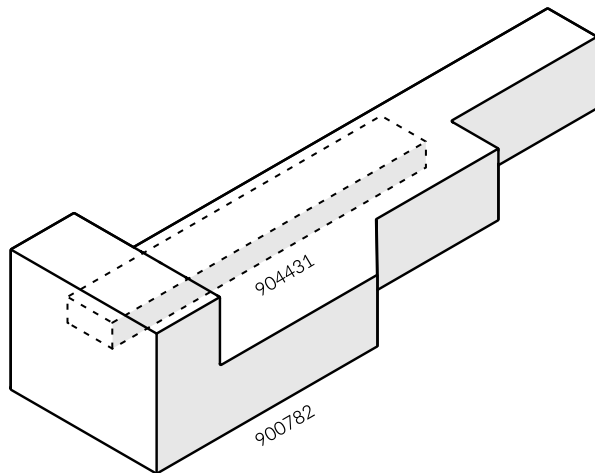
Check Risk Assessment

272 - 252cm  
107.5 - 99"

60 - 80cm  
23.5 - 31.5"



## Packages

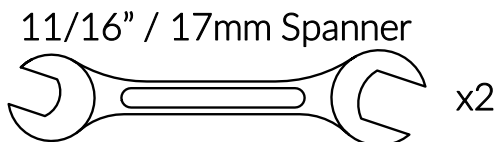
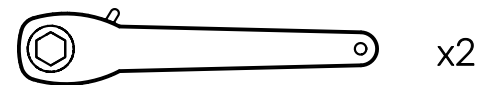


x1

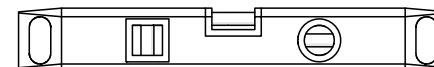
		L	W	H	Weight	Net
x1	900782	220cm / 86.5"	60cm / 23.5"	50cm / 20"	77kg / 170lbs	
	904431	140cm / 55"	20cm / 8"	10cm / 4"	10kg / 22lbs	

## Tools required (not supplied)

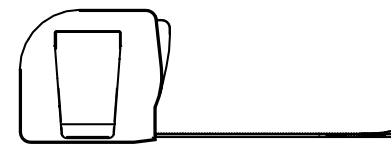
¼" Bit Driver Ratchet



Spirit level



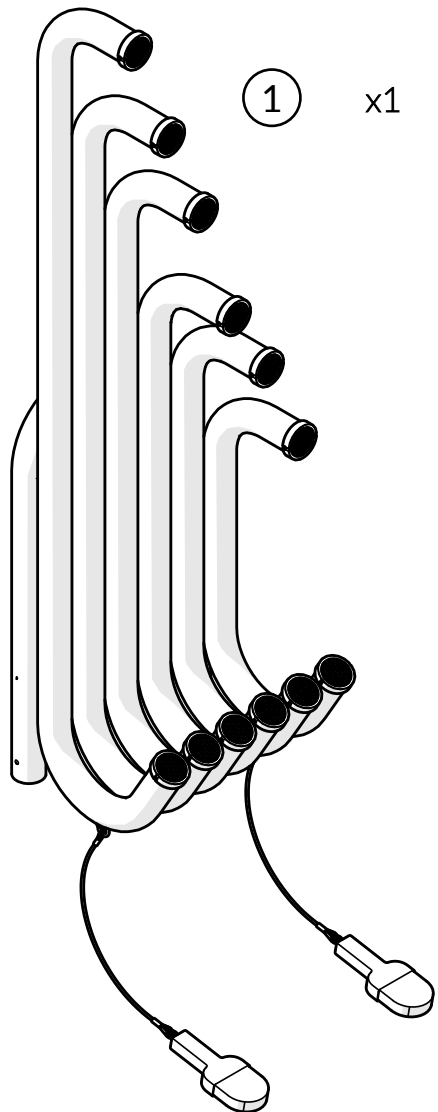
Tape Measure



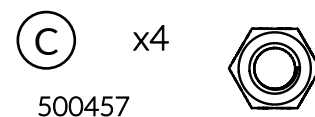
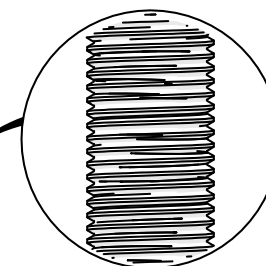
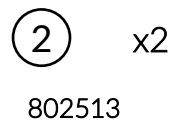
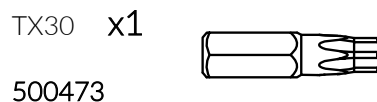
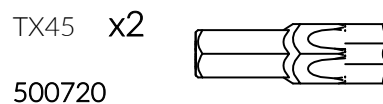
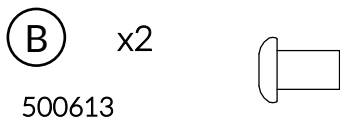
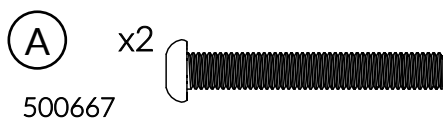
900782

904431

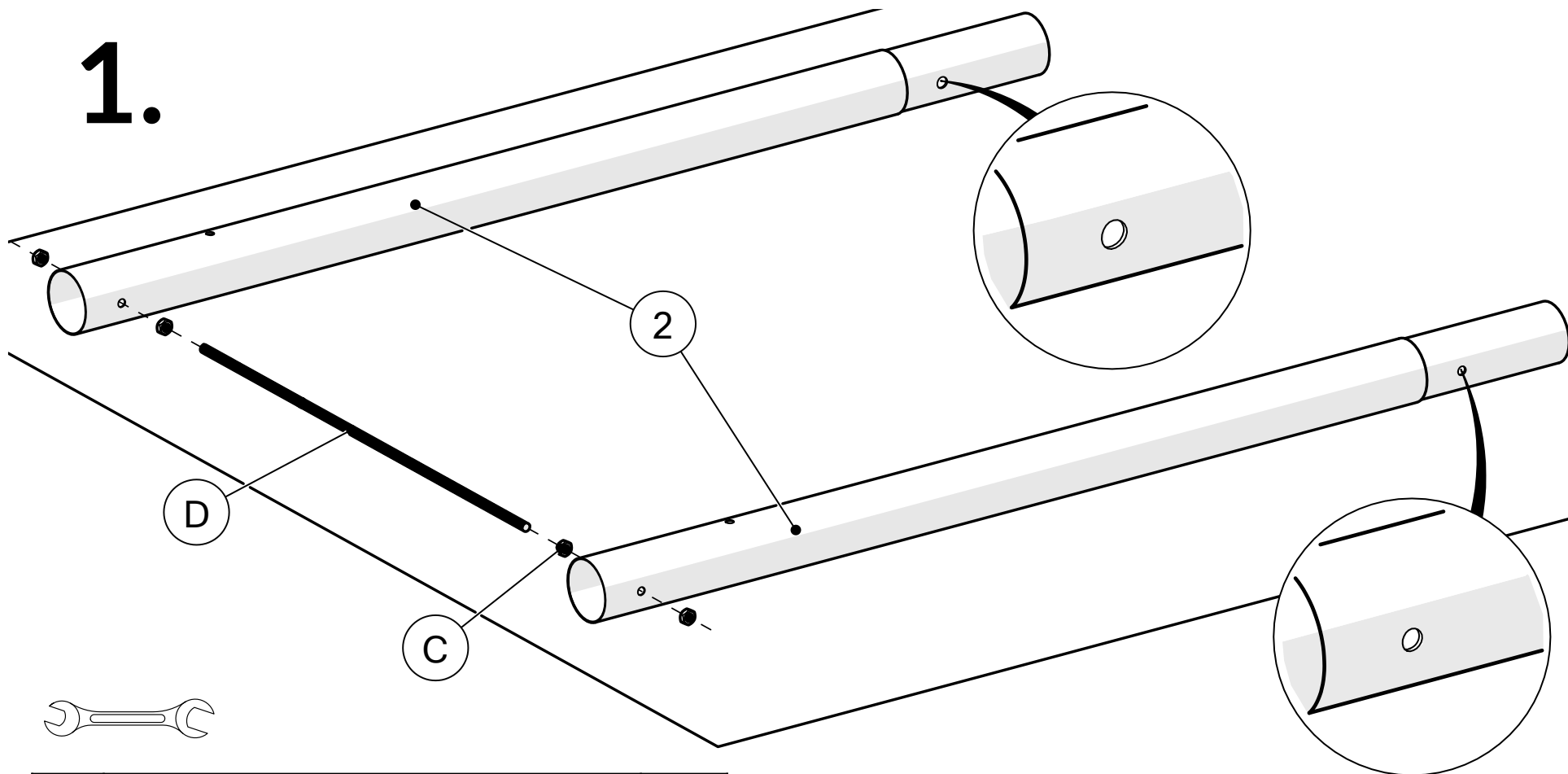
Not to scale





① x1



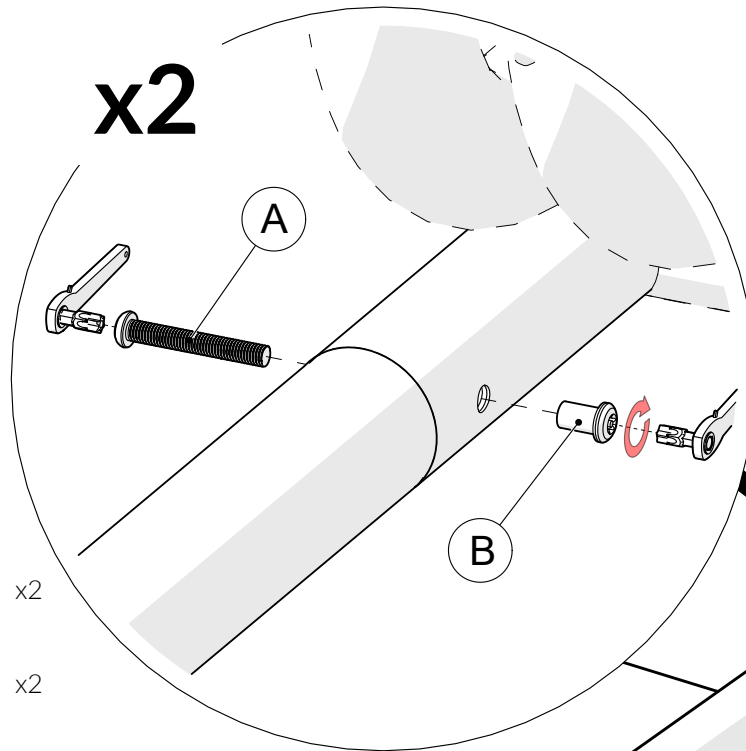
1.



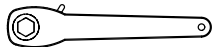
C		x4
D		x1

2.

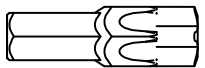
x2




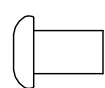
x2

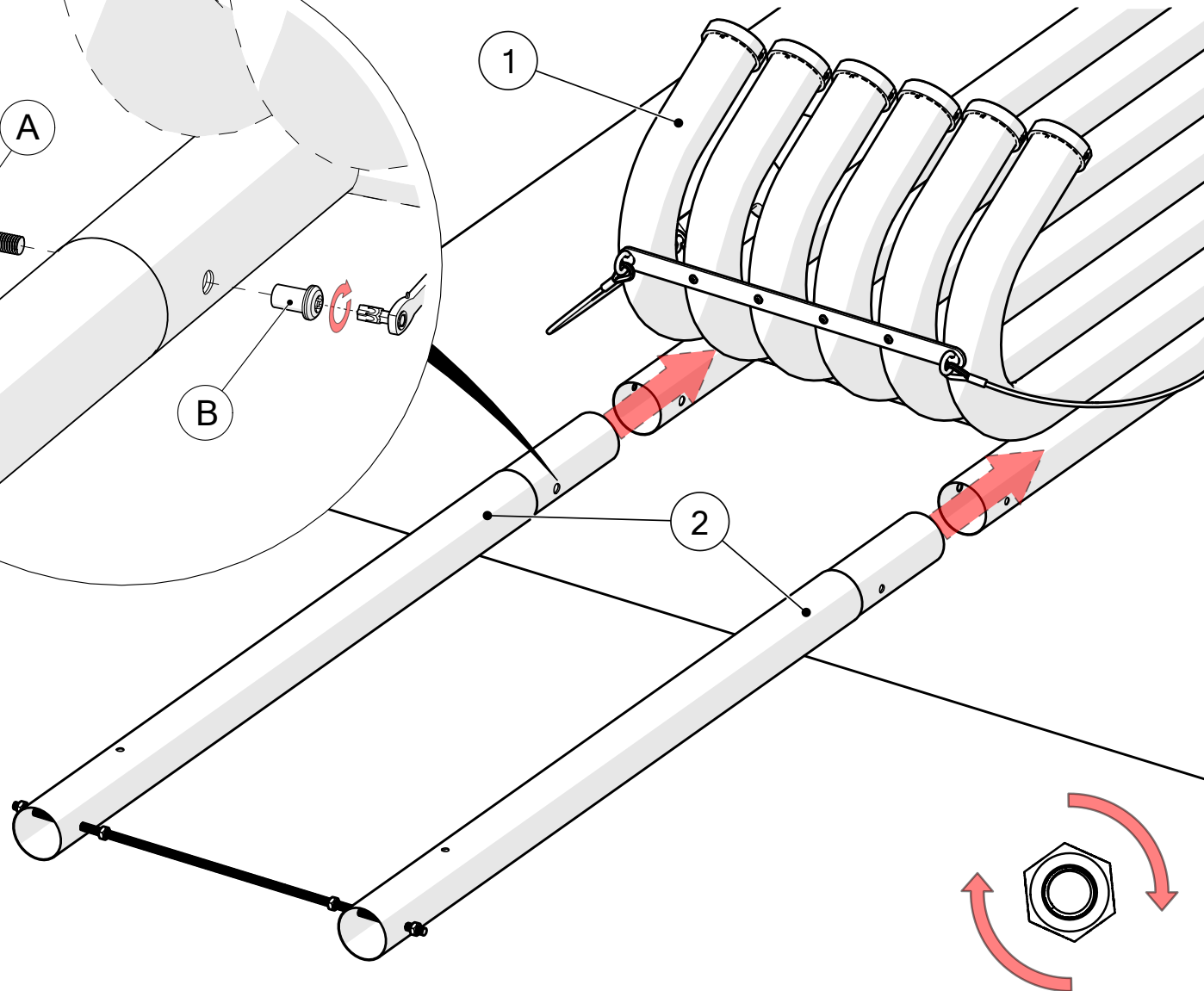


x2



x2 TX45

A		x2
B		x2

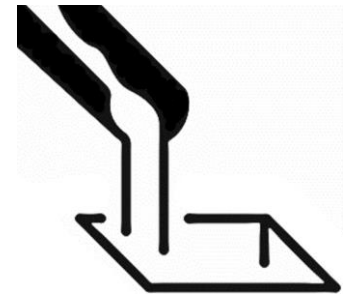
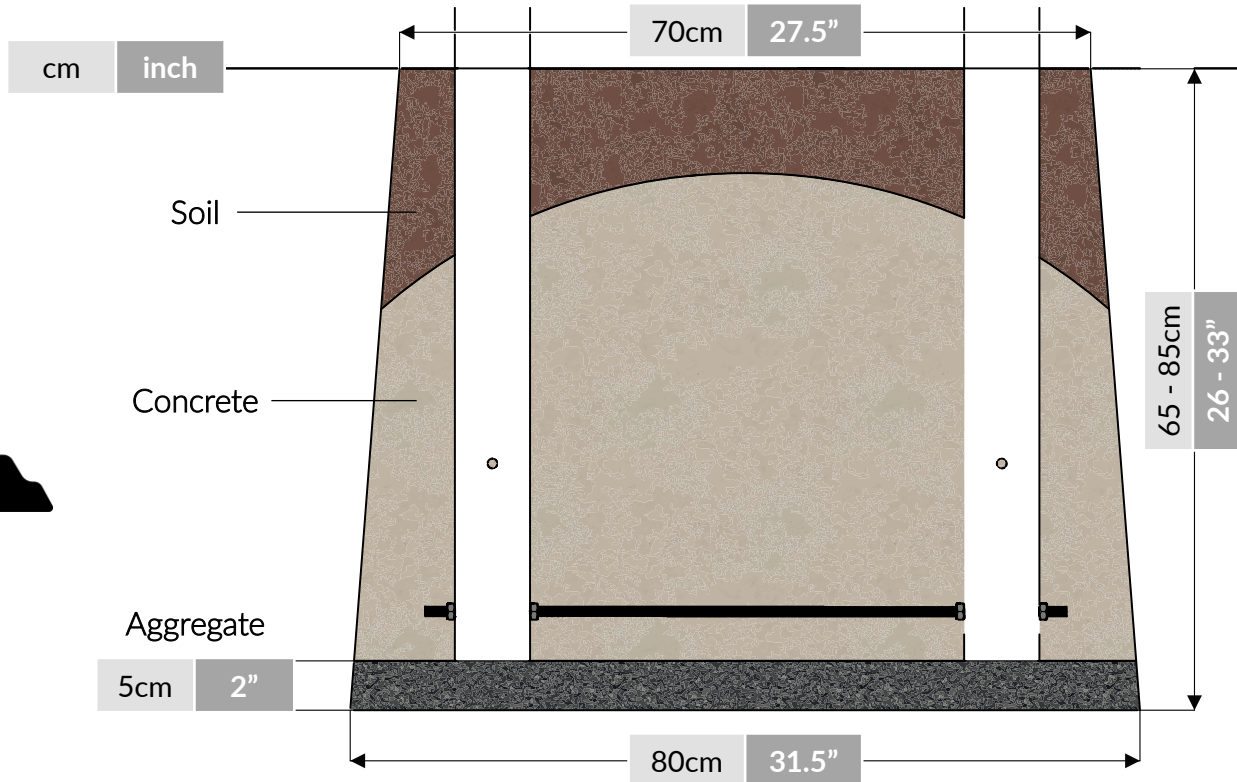
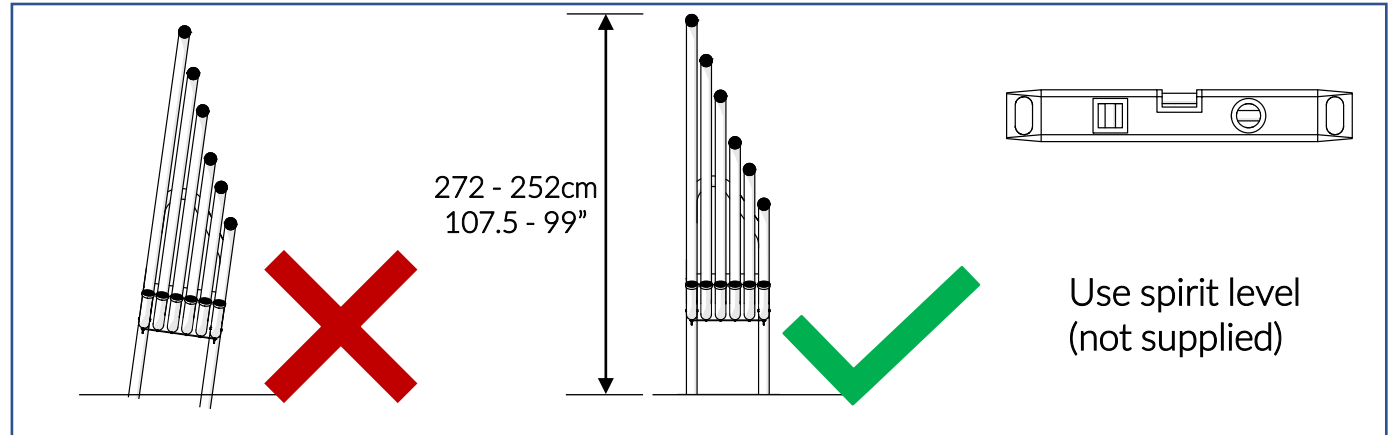


# 3.

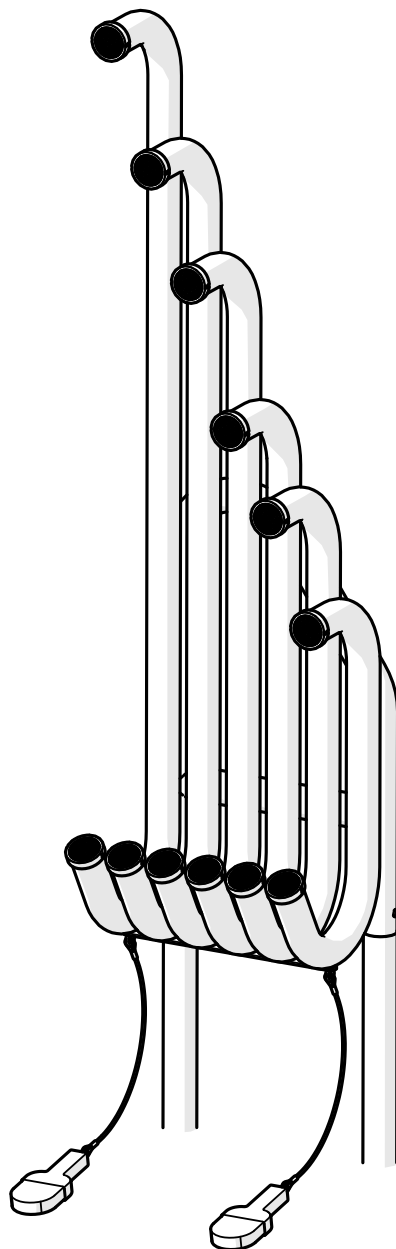


Foundations should not present a hazard

Refer to your local Health & Safety standards







[percussionplay.com](http://percussionplay.com)



[info@percussionplay.com](mailto:info@percussionplay.com)



UK  
[01730 235 180](tel:+441730235180)

USA & CAN  
[+1 \(866\) 882 9170](tel:+18668829170)

EUR & ROW  
[+44 1730 235 180](tel:+441730235180)