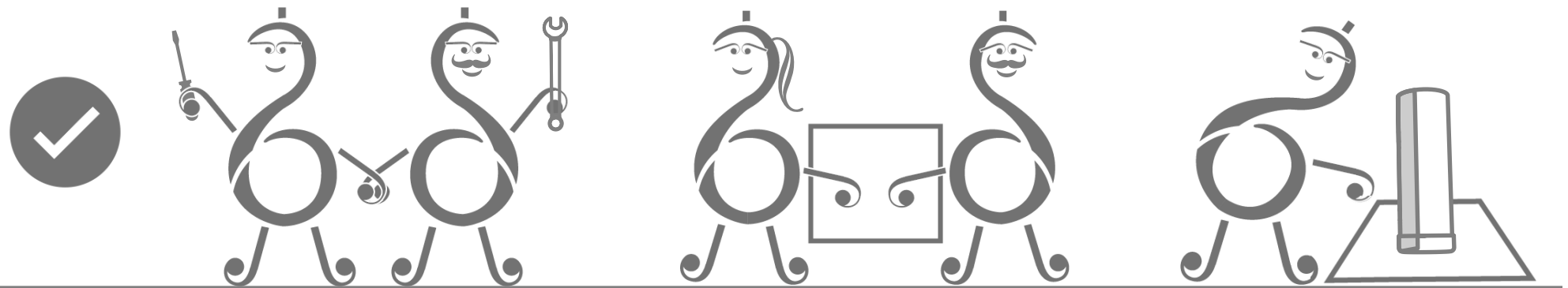
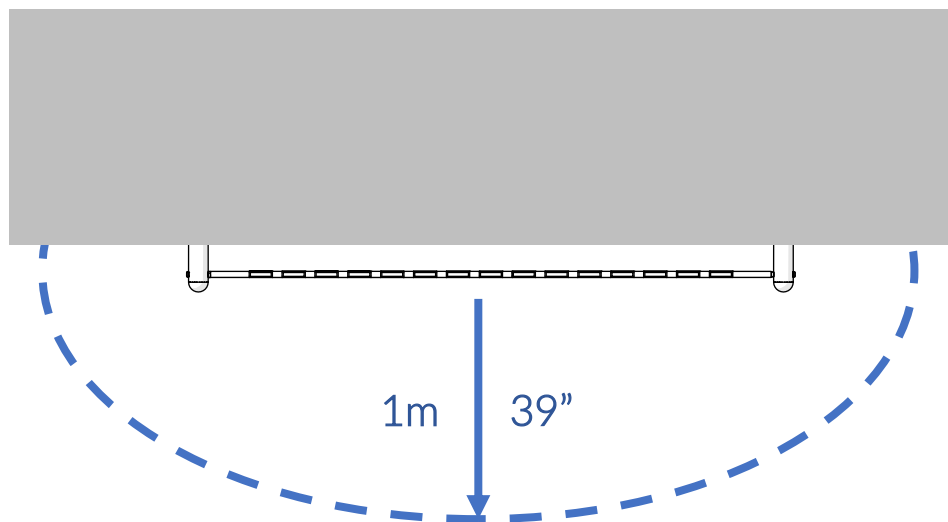


Part Reference	Description
PP-WMAR-WA	Wall Marimba - GRP Note Bars (Wall Fix)

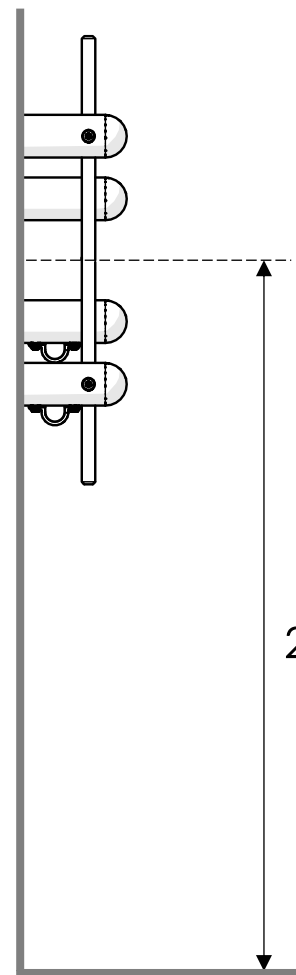




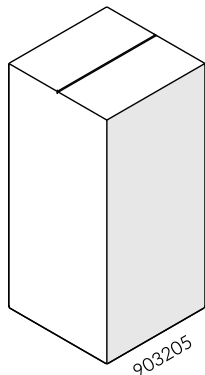
Check Risk Assessment



Confirm
height with
client



Packages

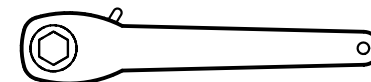


x1

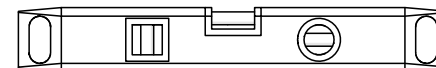
		L	W	H	Weight	Net
x1	903205	60cm / 23.5"	28cm / 11"	28cm / 11"	14kg / 31lbs	

Tools required (not supplied)

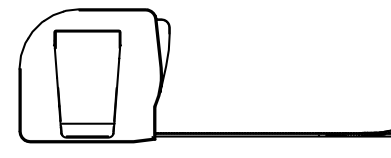
¼" Bit Driver Ratchet



Spirit Level



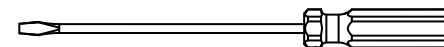
Tape Measure

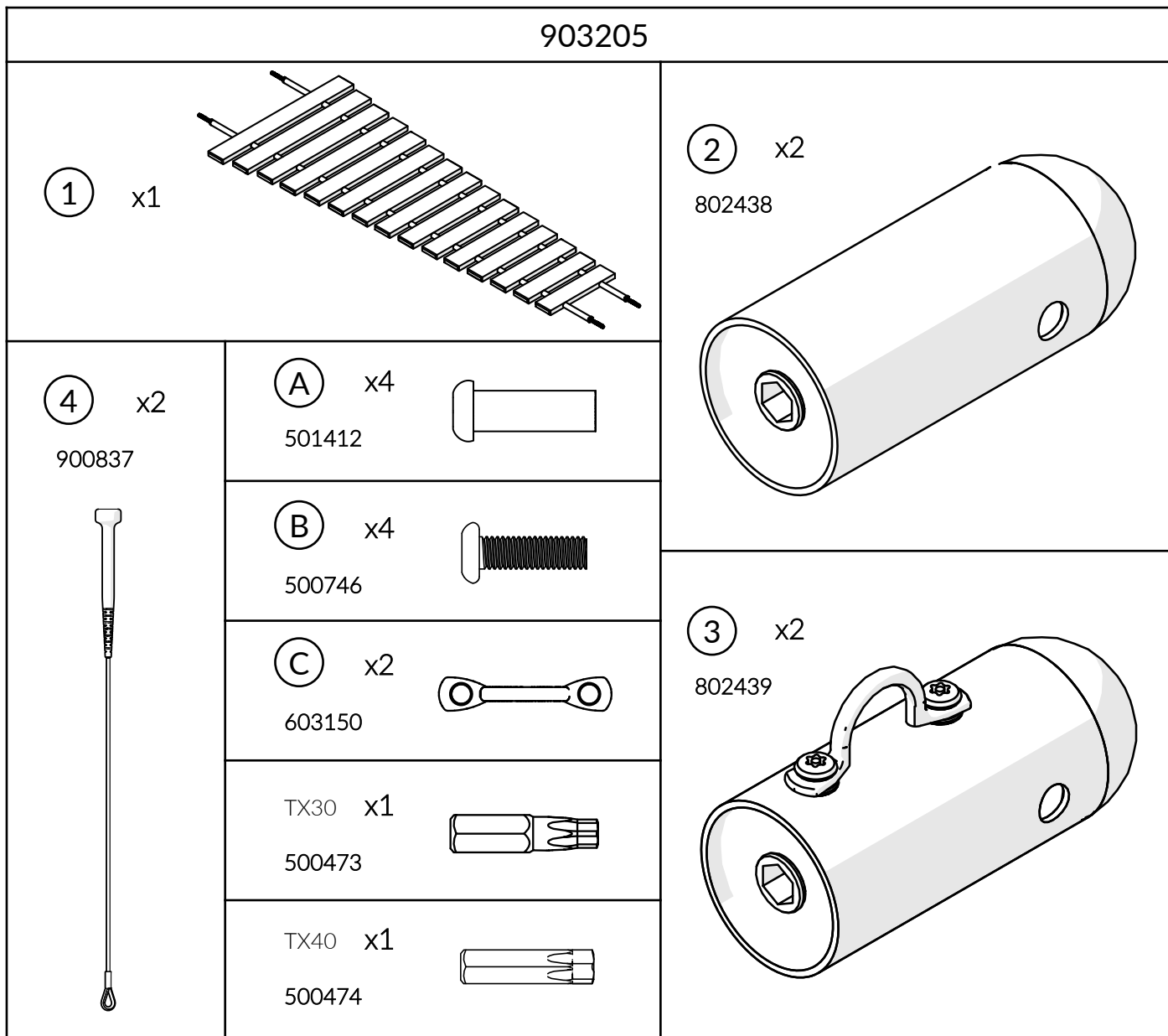


Drill



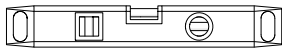
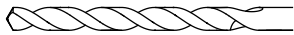
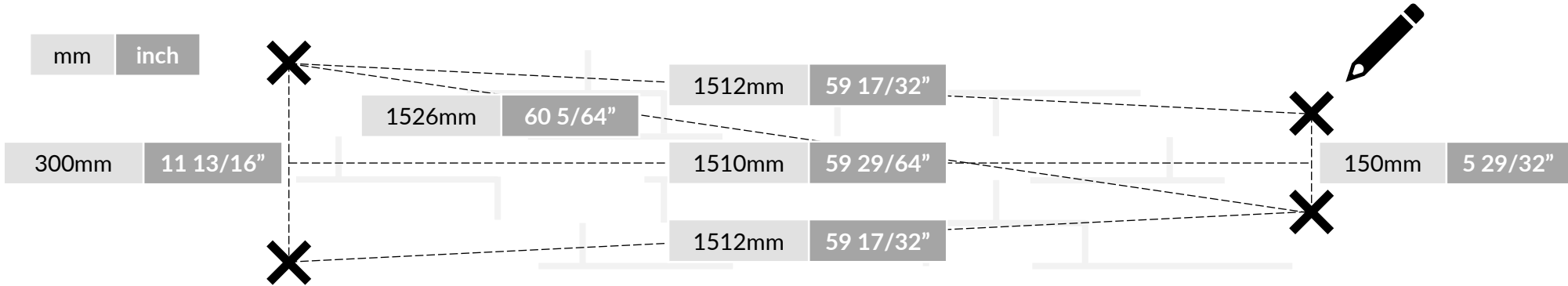
Screwdriver





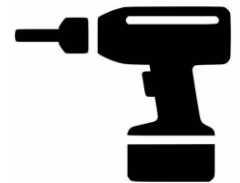
Not to scale






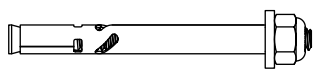
1.



Wall

Example fixing
M10 threaded anchor

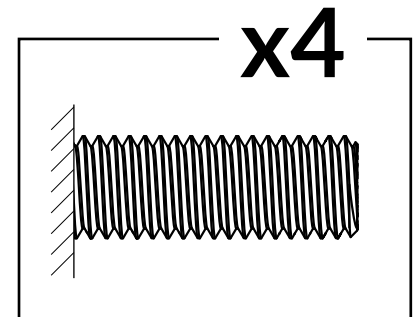


	Wood		x4
	Concrete		x4
	Brick		x4

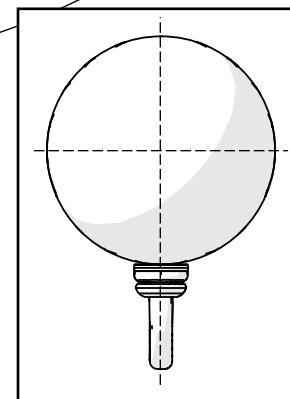
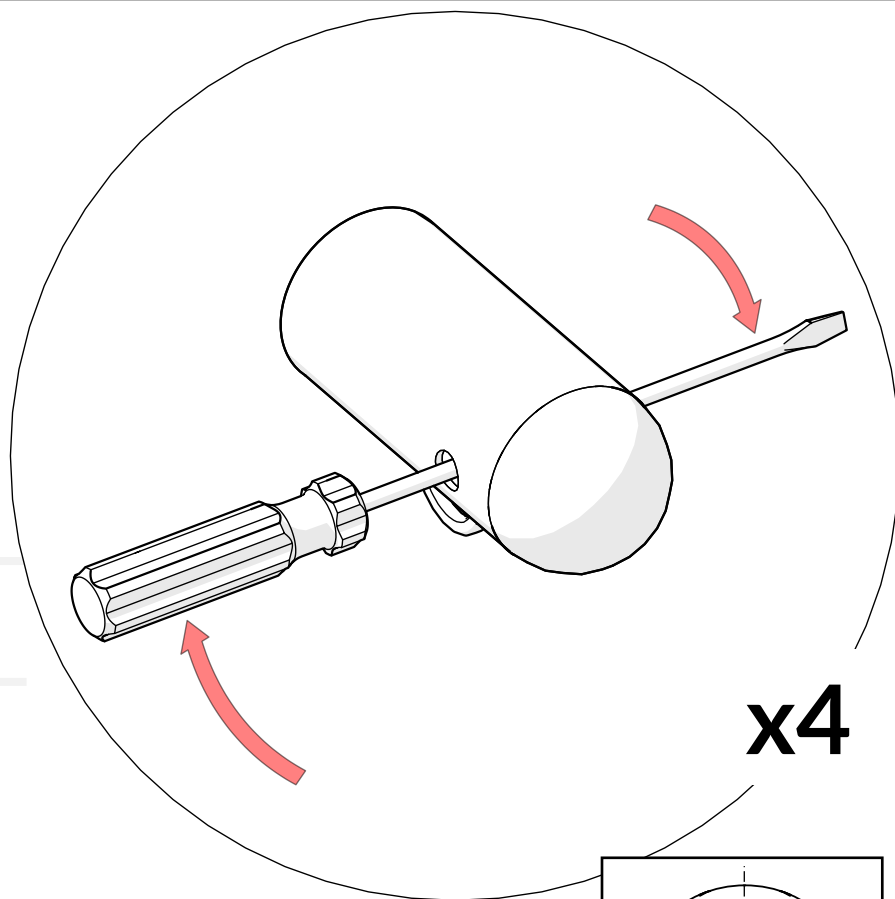
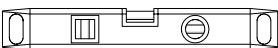
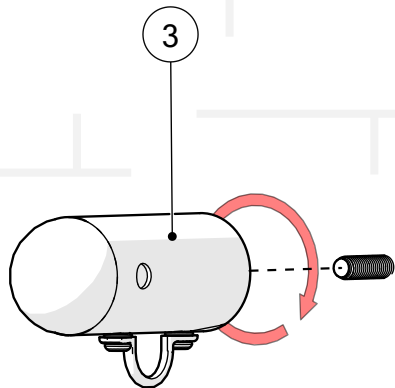
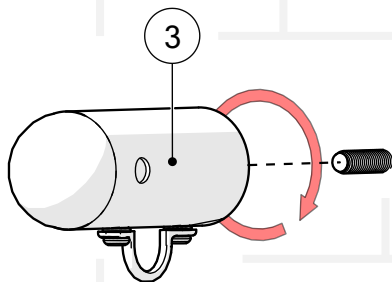
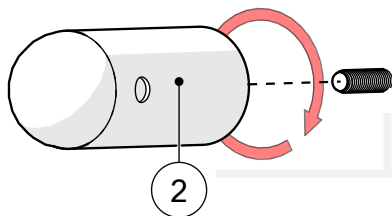
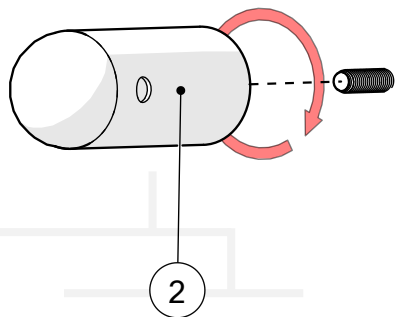


Wall fixing should not present a hazard

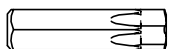
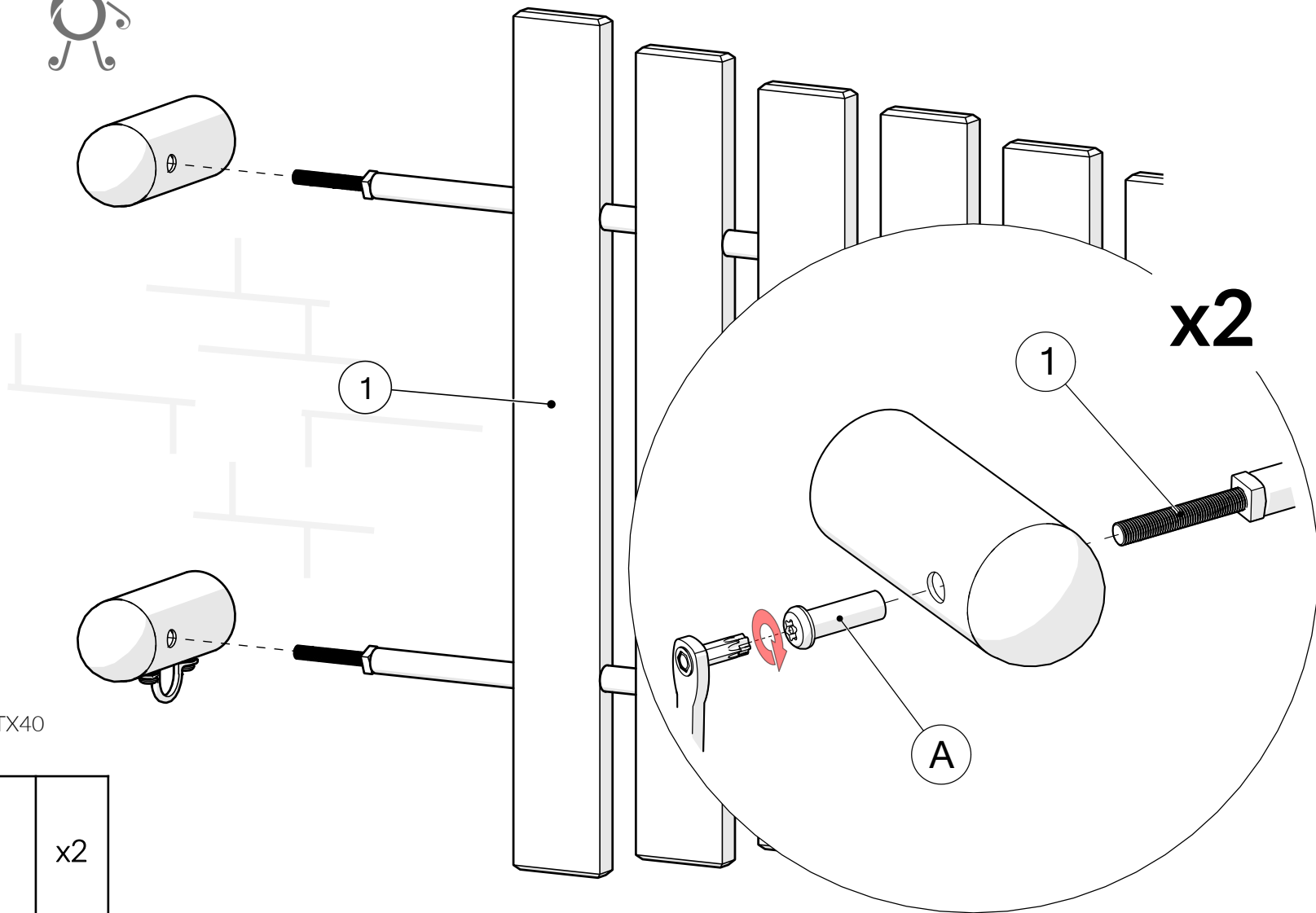
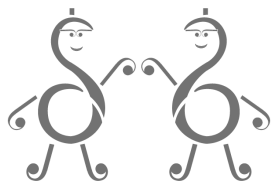
Refer to your local Health & Safety standards



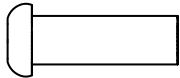
2.



3.

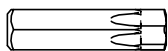
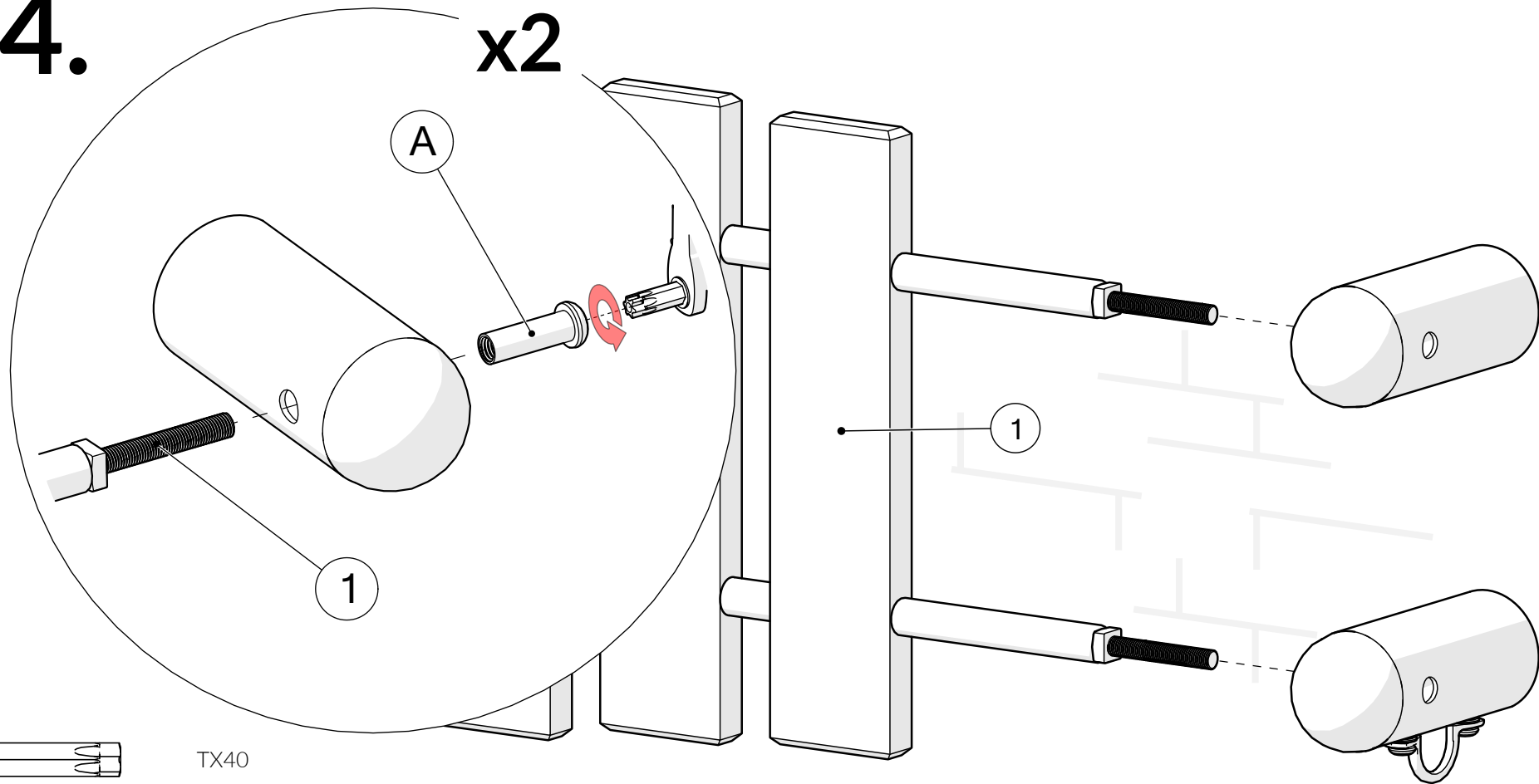


TX40

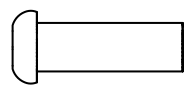
A		x2
---	---	----

4.

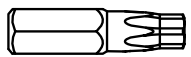
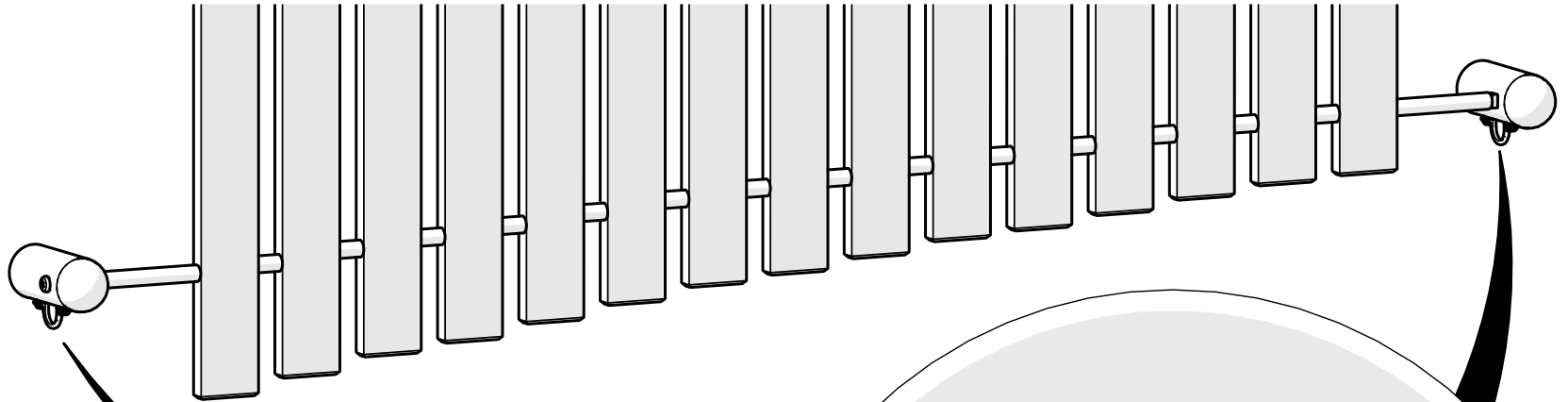
x2



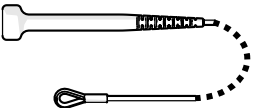

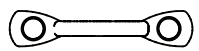
TX40

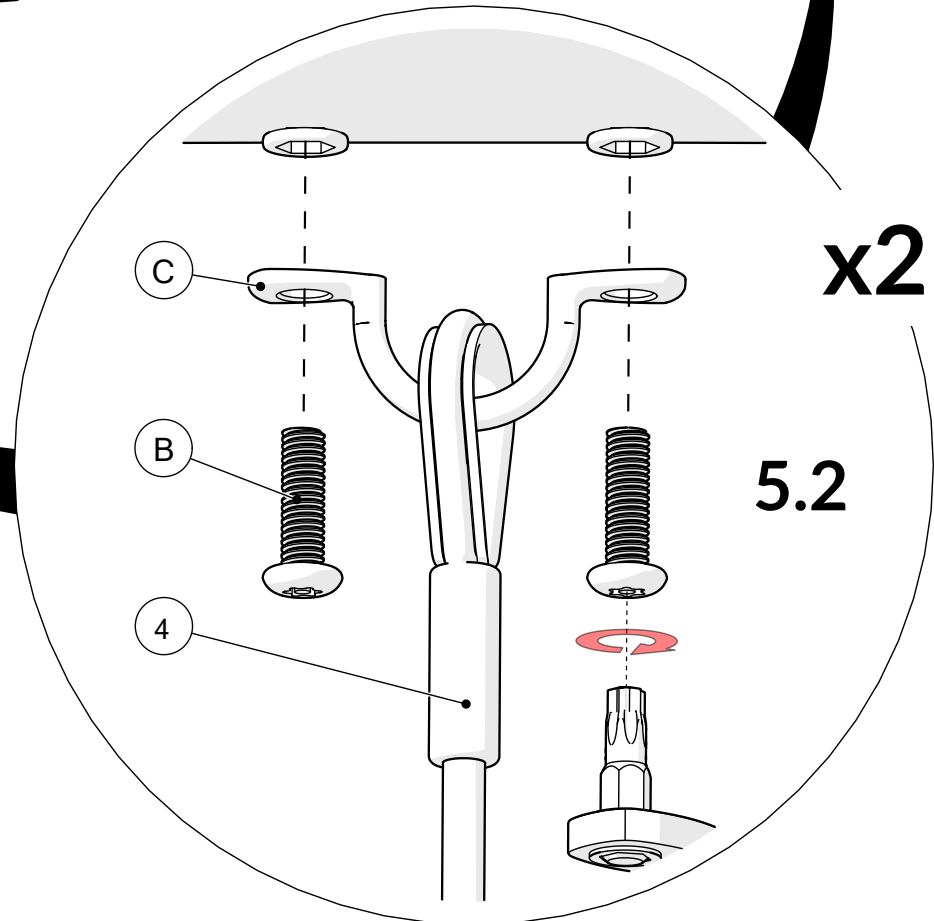
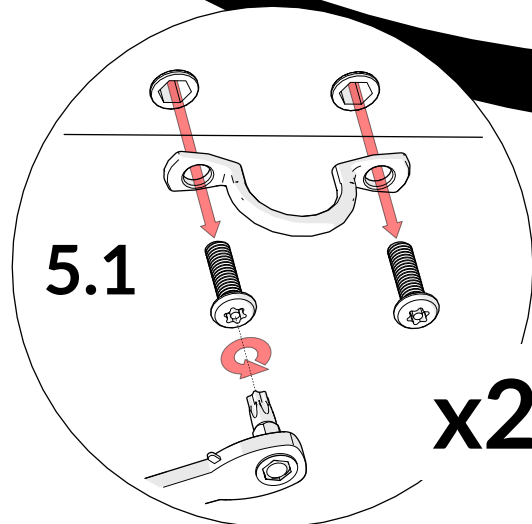
A		x2
---	---	----

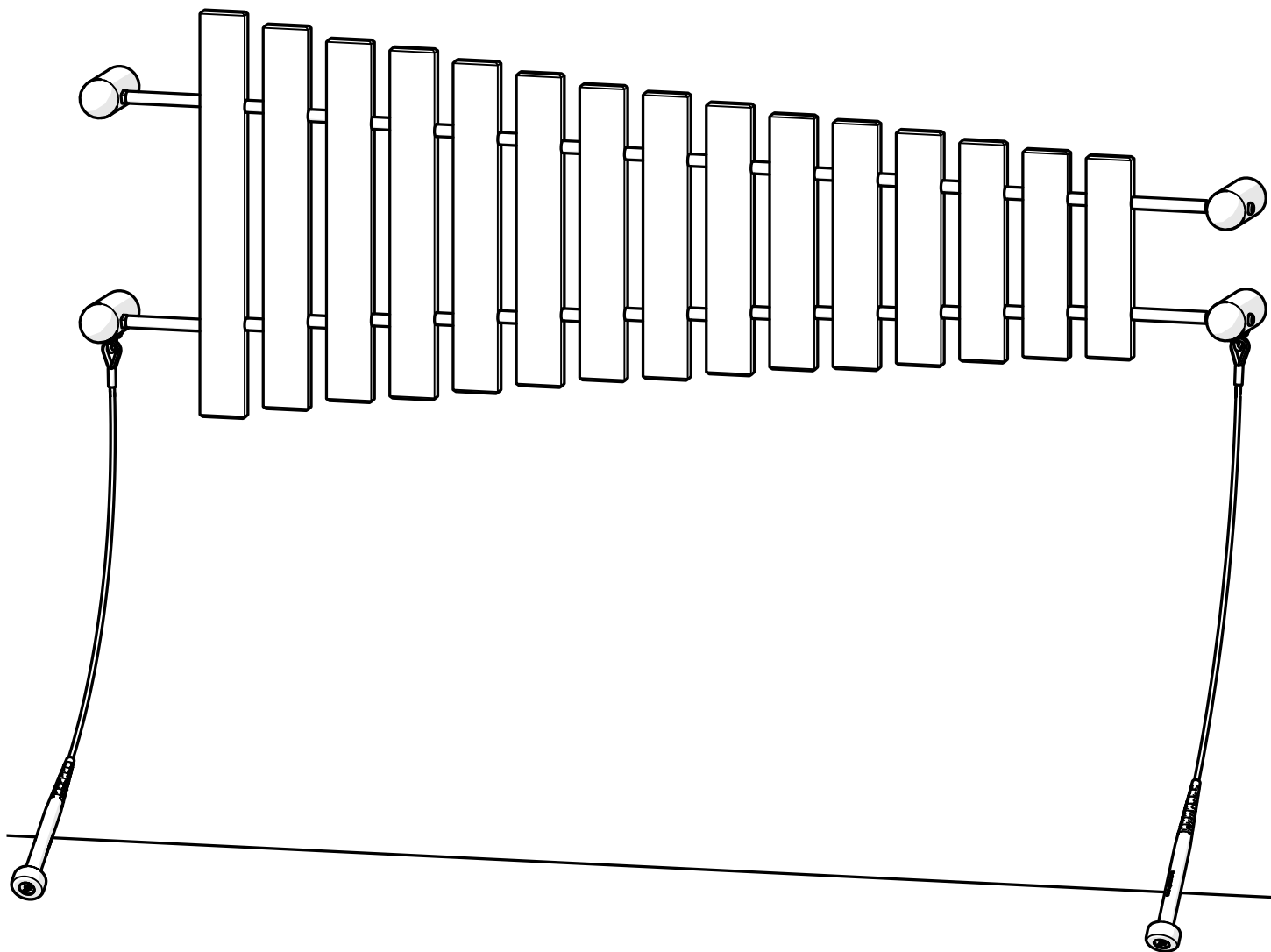
5.



TX30

4		x2
B		x4
C		x2





percussionplay.com



info@percussionplay.com



UK
[01730 235 180](tel:01730235180)

USA & CAN
[+1 \(866\) 882 9170](tel:+18668829170)

EUR & ROW
[+44 1730 235 180](tel:+441730235180)