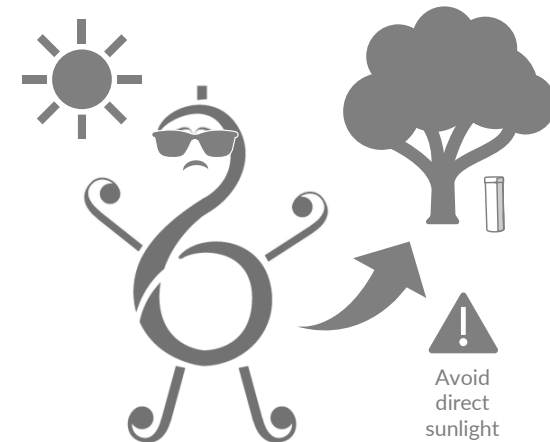
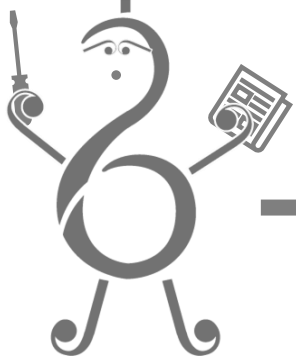
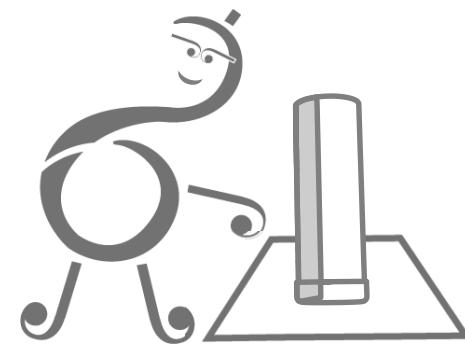
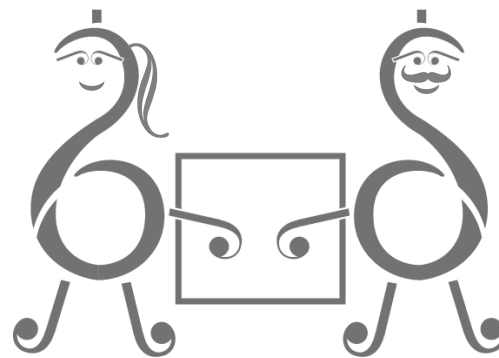
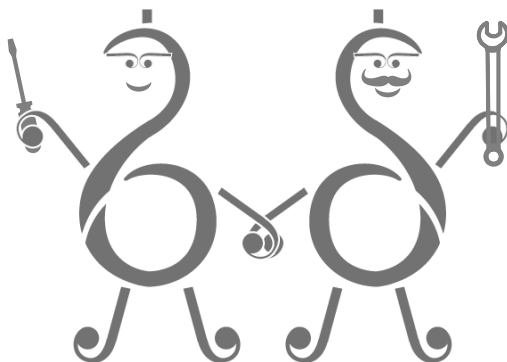
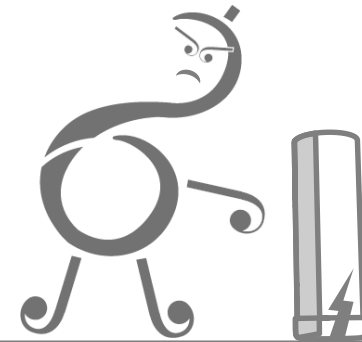
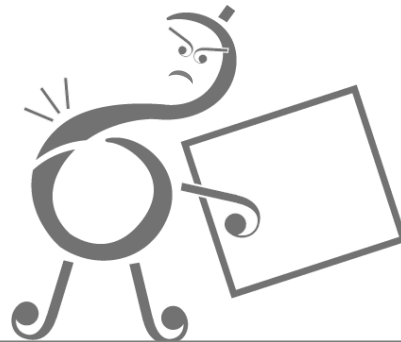
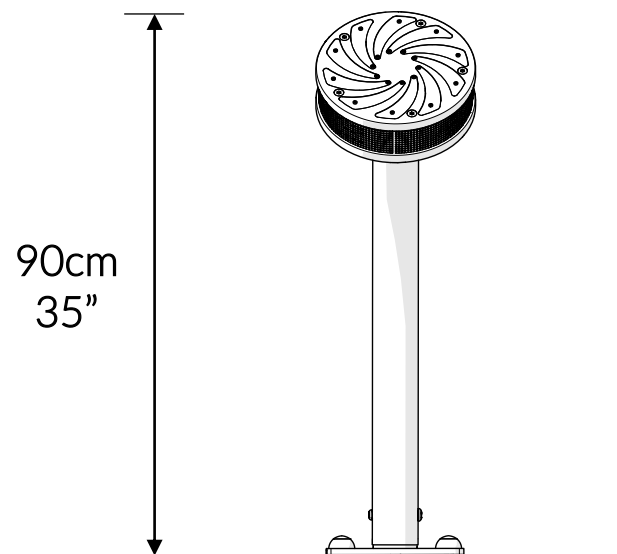
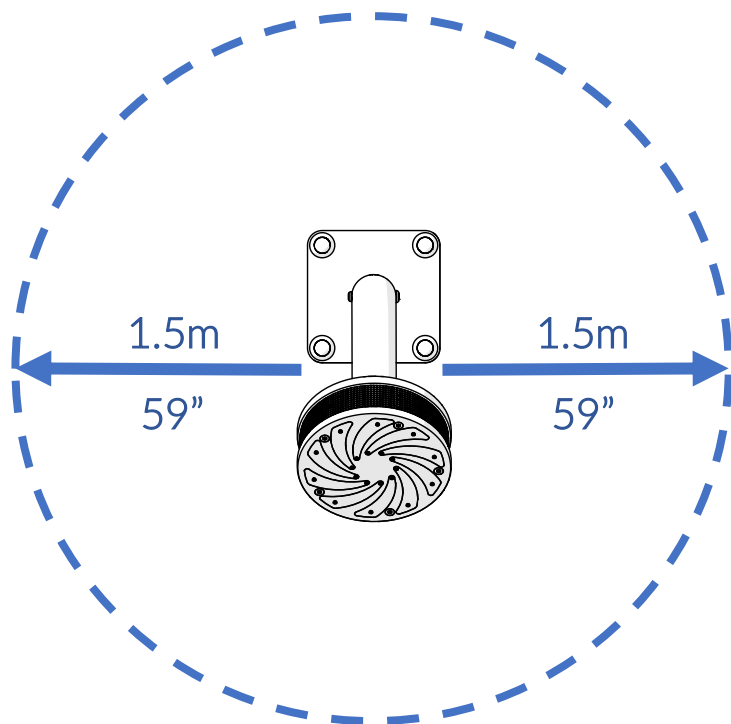


Part Reference	Description
PP-TROP-SU	Tropical Cyclone (Surface Fix)

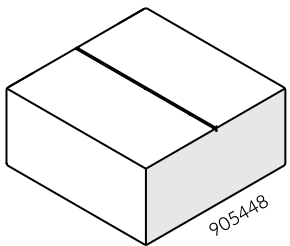




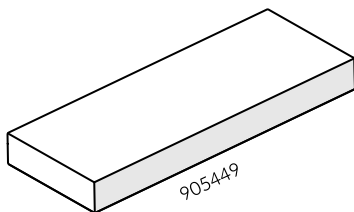


Check Risk Assessment

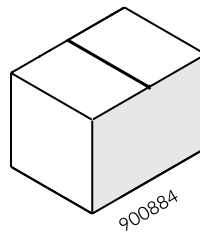
### Packages



x1



x1

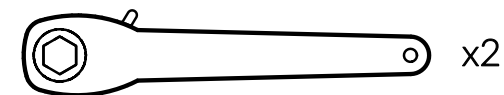


x1

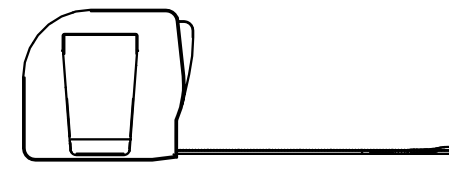
		L	W	H	Weight	Net
x1	905448	27cm / 11"	27cm / 11"	13cm / 5"	3.5kg / 8lbs	
x1	905449	80cm / 31"	30cm / 12"	8.5cm / 3"	3.5kg / 8lbs	
x1	900884	32cm / 12.5"	23cm / 9"	23cm / 9"	6kg / 13lbs	

### Tools required (not supplied)

¼" Bit Driver Ratchet

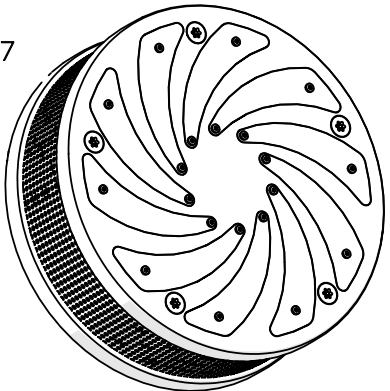


Tape Measure

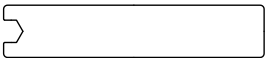


905448

① x1  
805447

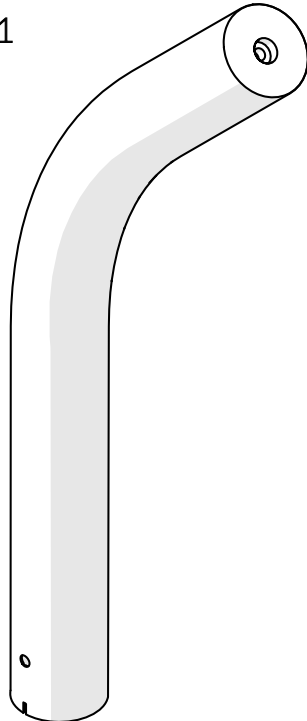


17mm x1  
605443



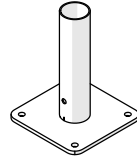
905449

② x1  
805201

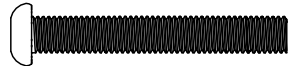


900884

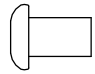
③ x1  
800878



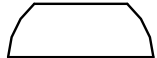
A x1  
500667




B x1  
500613




C x4  
601543



D x4  
601542

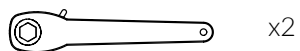


TX45 x2  
500720

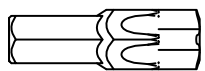


Not to scale


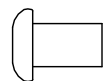
# 1.

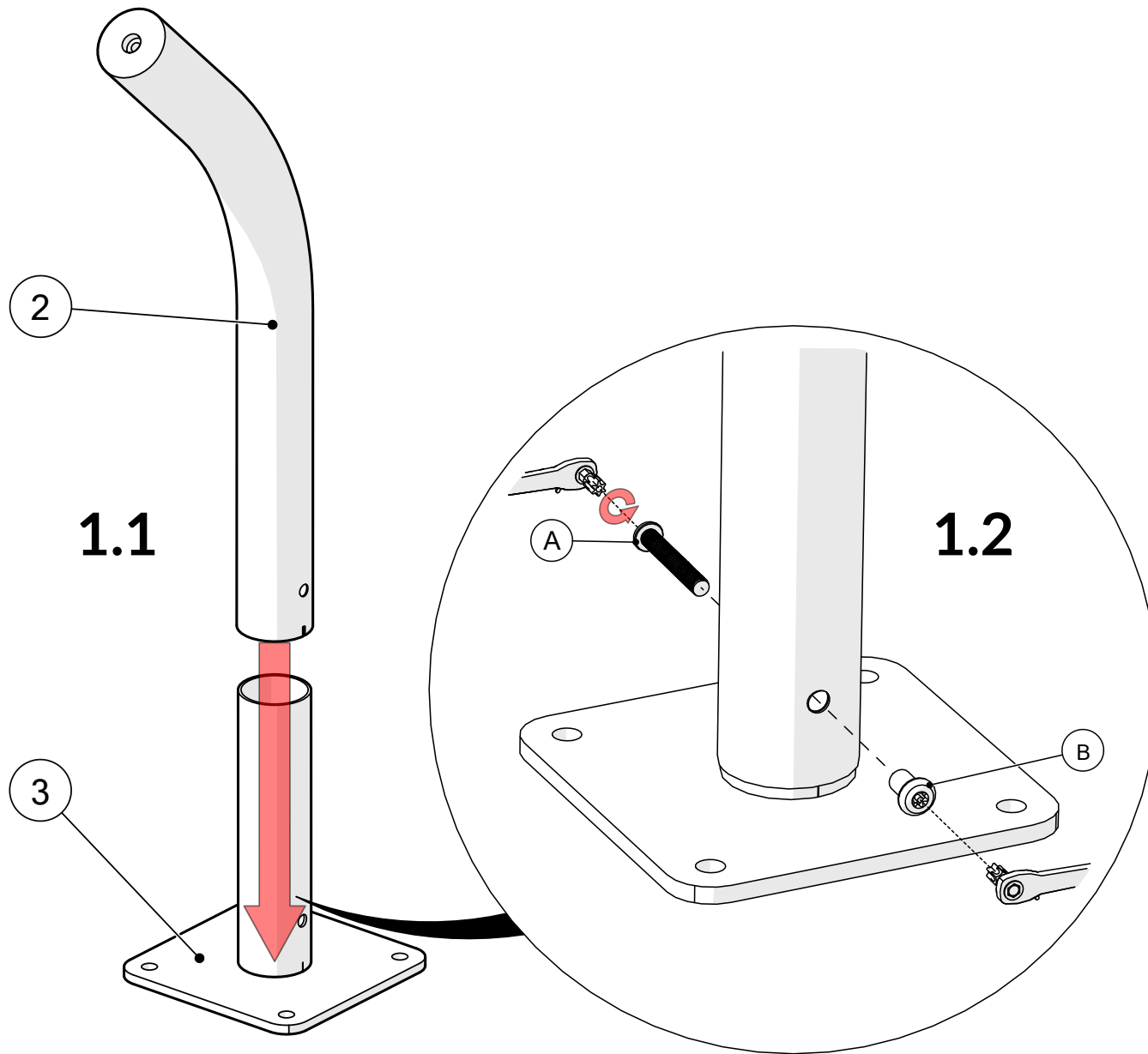


x2



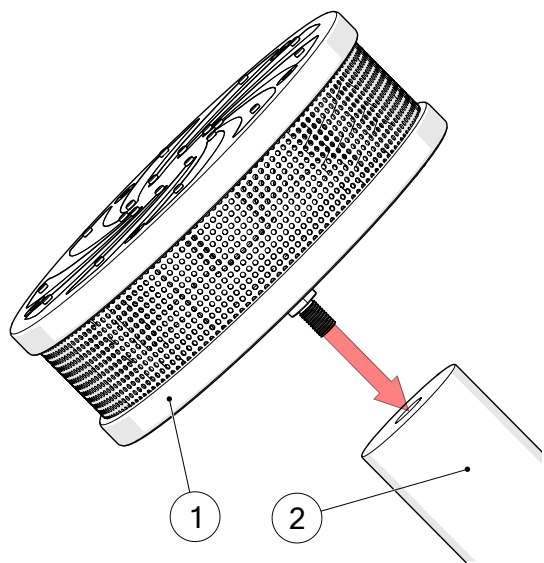
x2 TX45

A		x1
B		x1

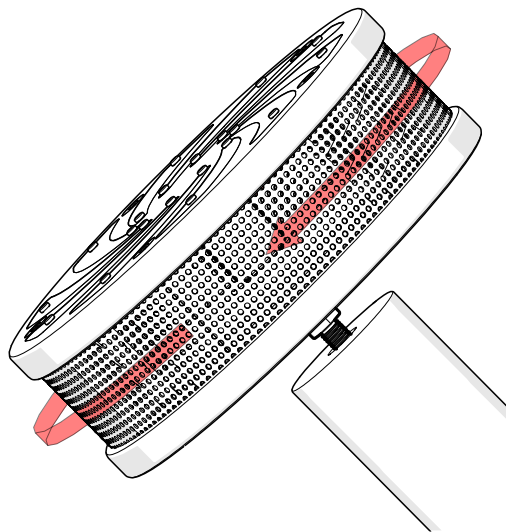


# 2.

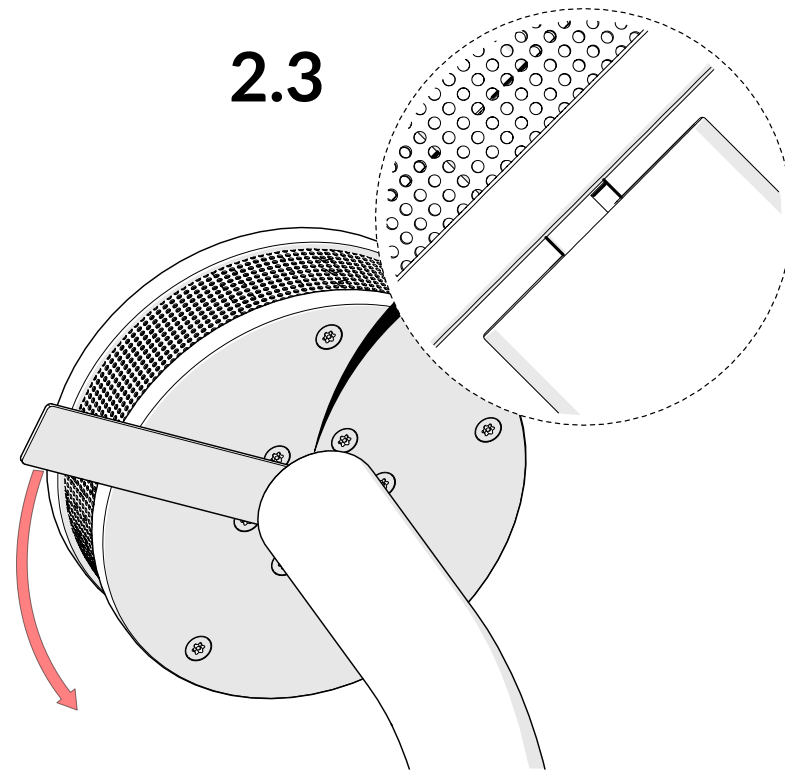
## 2.1



## 2.2



## 2.3





17mm

# 3.

Surface fixing should not present a hazard




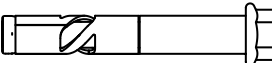

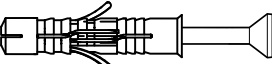


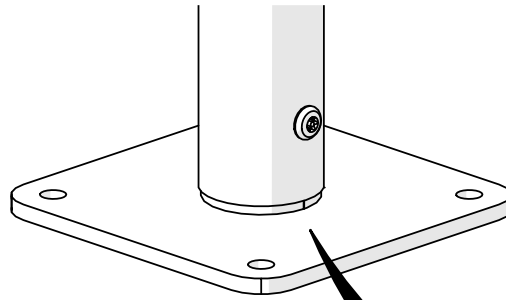
Refer to your local Health & Safety standards

C		x4
D		x4

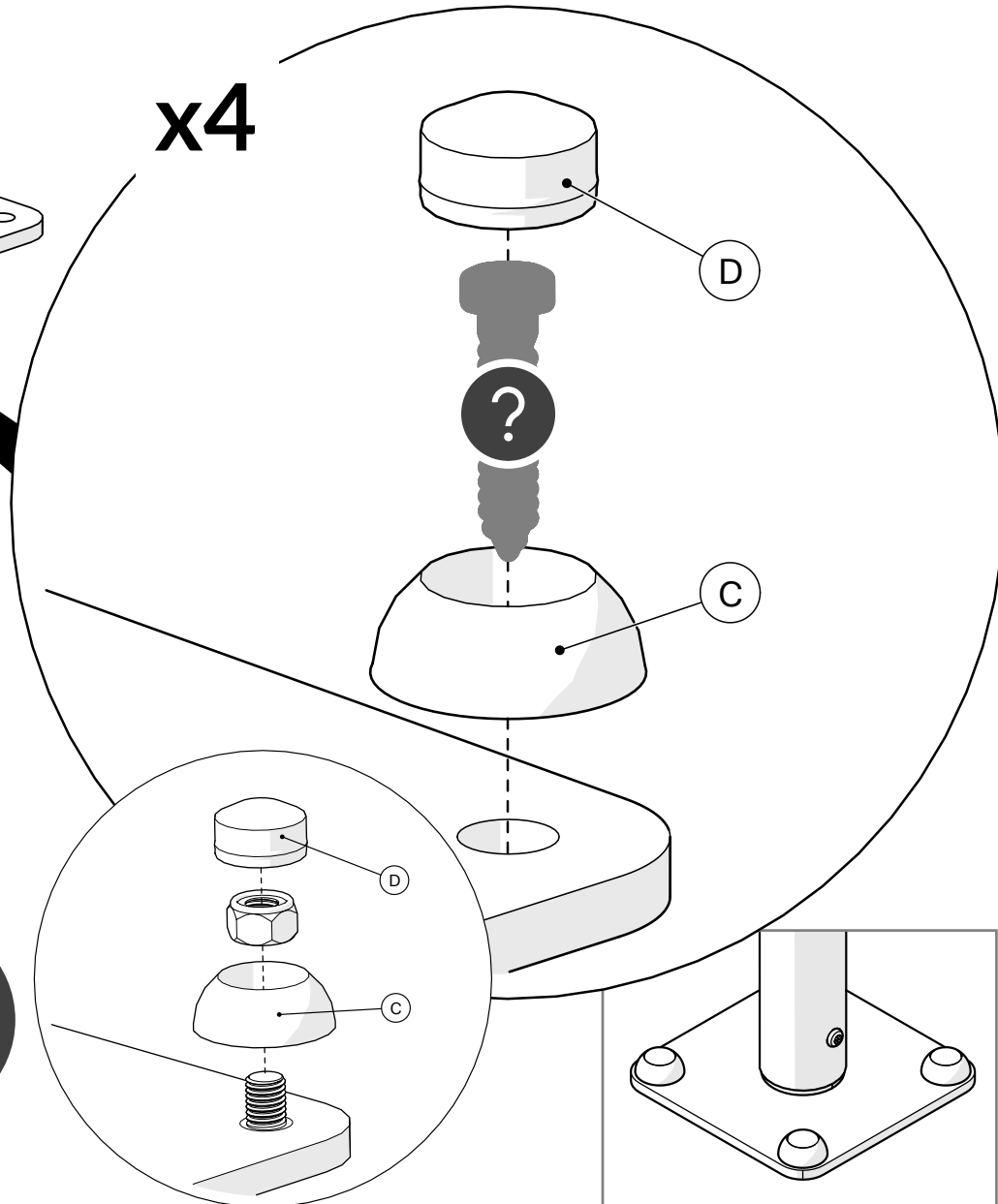
Surface

Example fixing

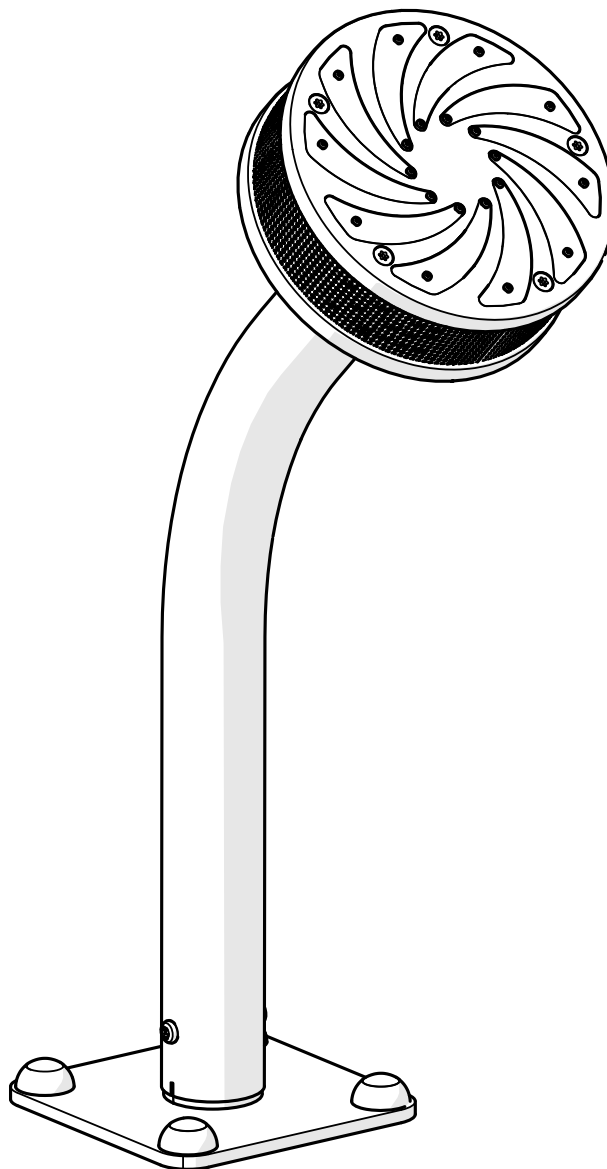
	Wood		x4
	Concrete		x4
	Brick		x4



x4







[percussionplay.com](http://percussionplay.com)



[info@percussionplay.com](mailto:info@percussionplay.com)



UK  
[01730 235 180](tel:01730235180)

USA & CAN  
[+1 \(866\) 882 9170](tel:+18668829170)

EUR & ROW  
[+44 1730 235 180](tel:+441730235180)