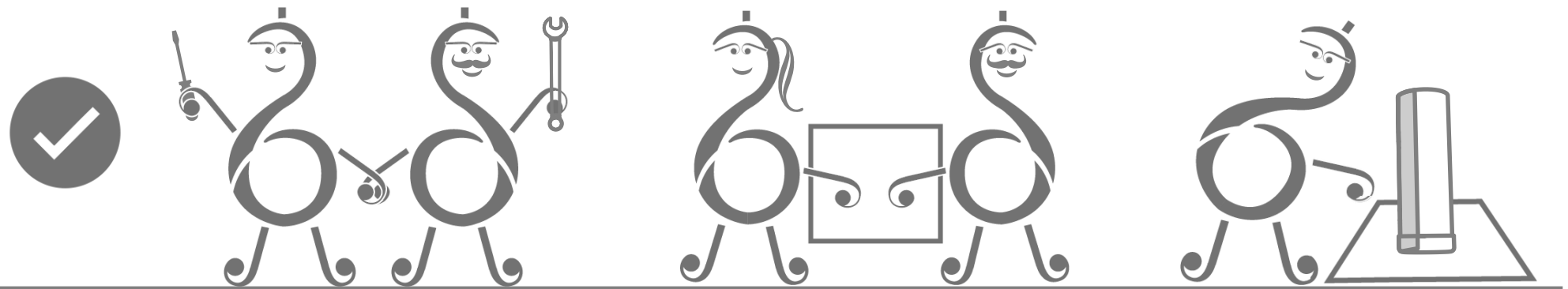
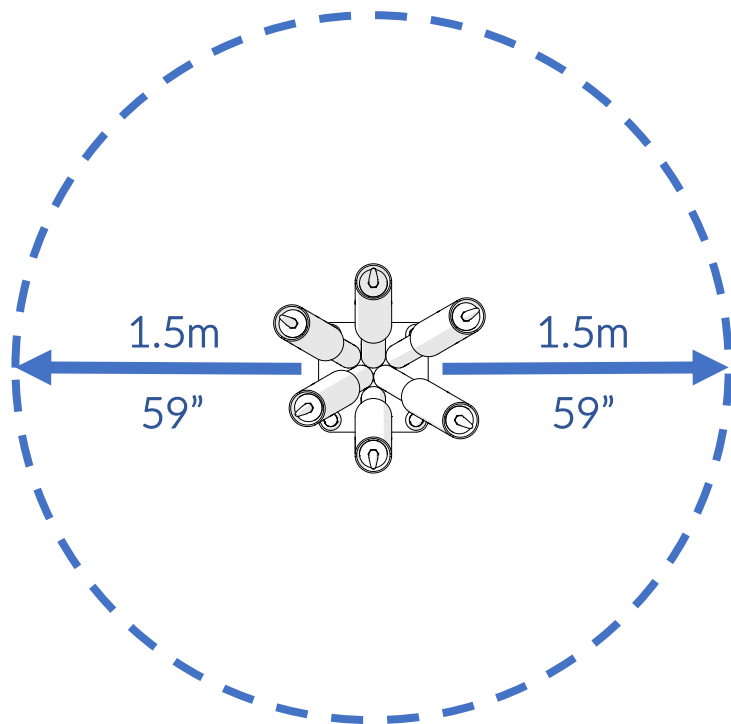


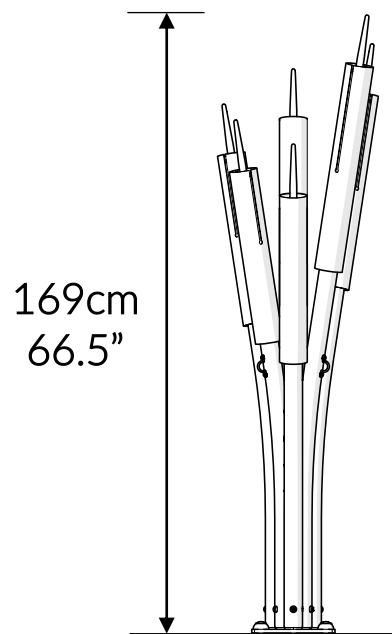
Part Reference	Description
PP-CATT-S6-SU	Cattails A-Minor (Set of 6) (Surface Fix)



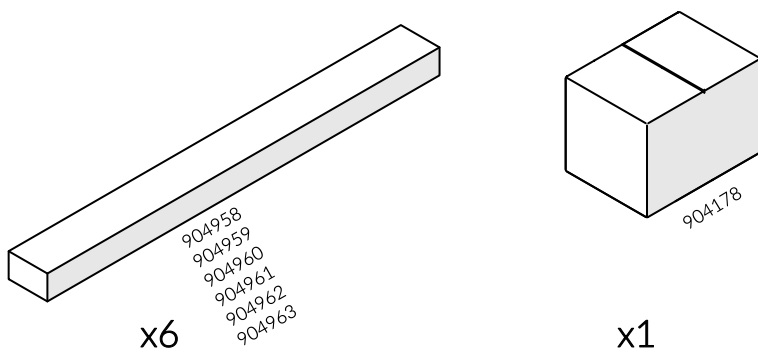




Check Risk Assessment



Packages



x6

x1

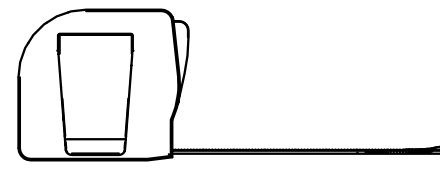
		L	W	H	Weight	Net
x1	904958	162cm / 64"	10cm / 4"	16cm / 6"	6kg / 13lbs	
x1	904959					
x1	904960					
x1	904961					
x1	904962					
x1	904963					
x1	904178	32cm / 12.5"	23cm / 9"	23cm / 9"	12kg / 26.5lbs	

Tools required (not supplied)

¼" Bit Driver Ratchet



Tape Measure

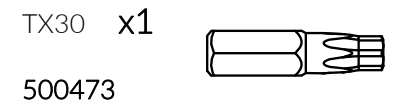
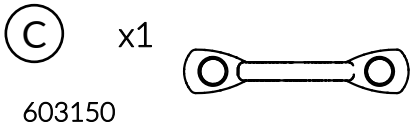
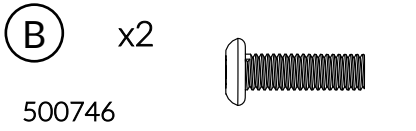
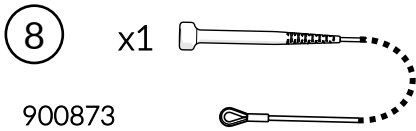
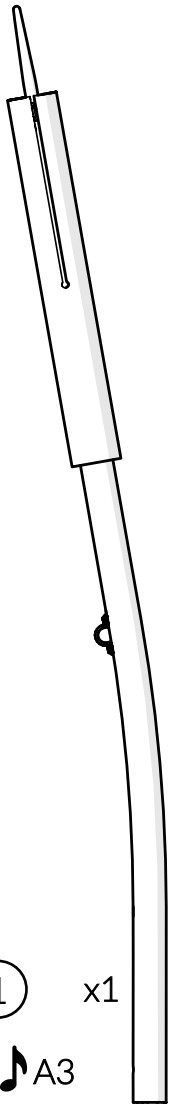


904958

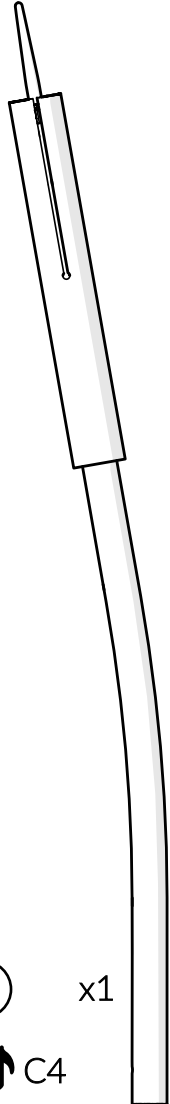
904959

904960

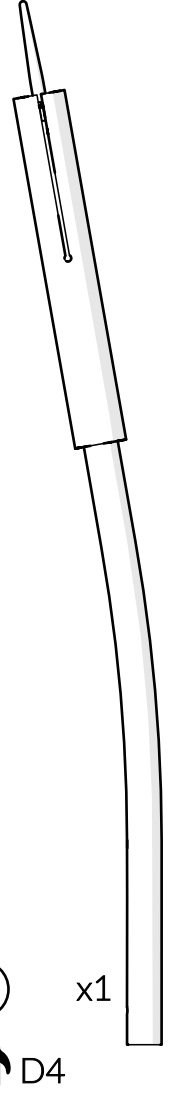
904961



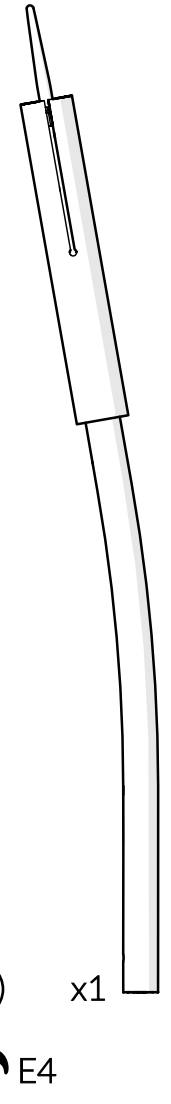
① x1
A3



② x1
C4



③ x1
D4

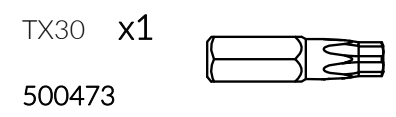
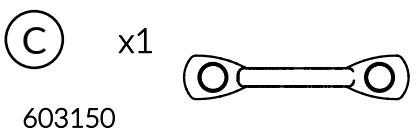
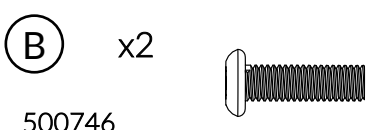
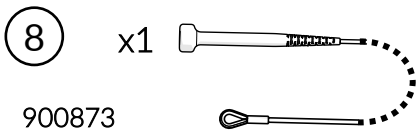
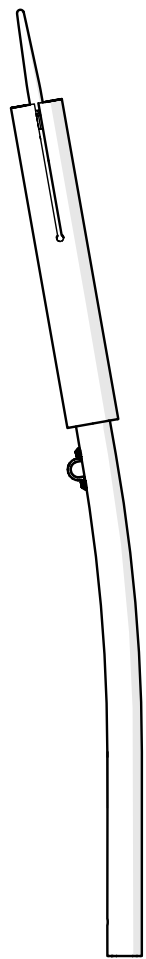


④ x1
E4

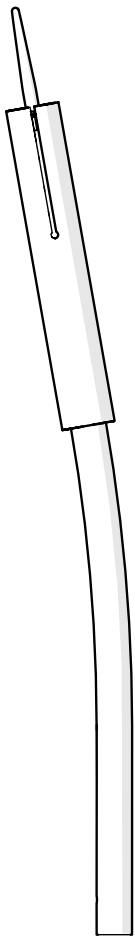
904962

904963

904178

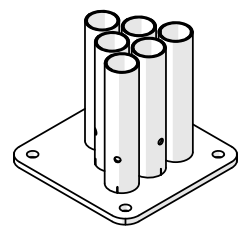


5 x1
G4



6 x1
A4

7 x1
804903



A x6
500682

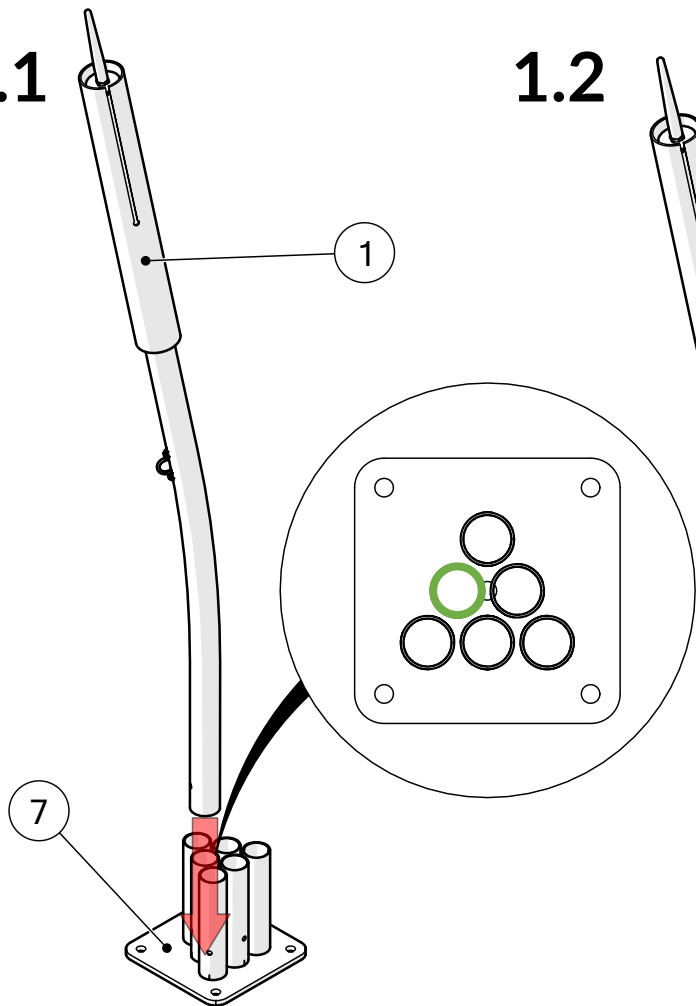
D x4
601543

E x4
601542

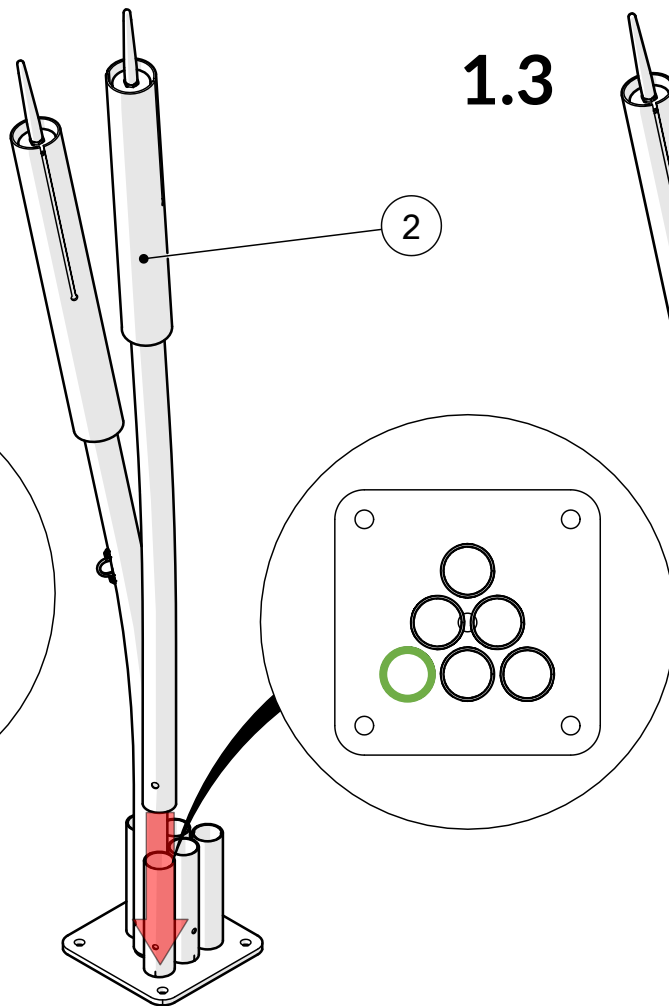
TX45 x1
500720

1.

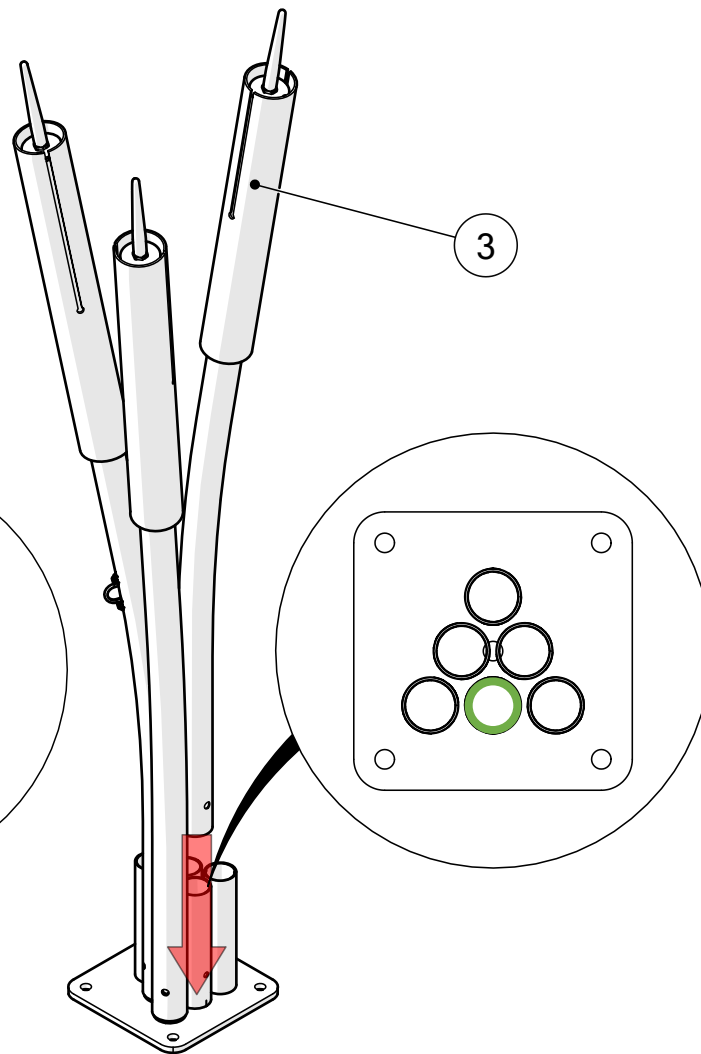
1.1



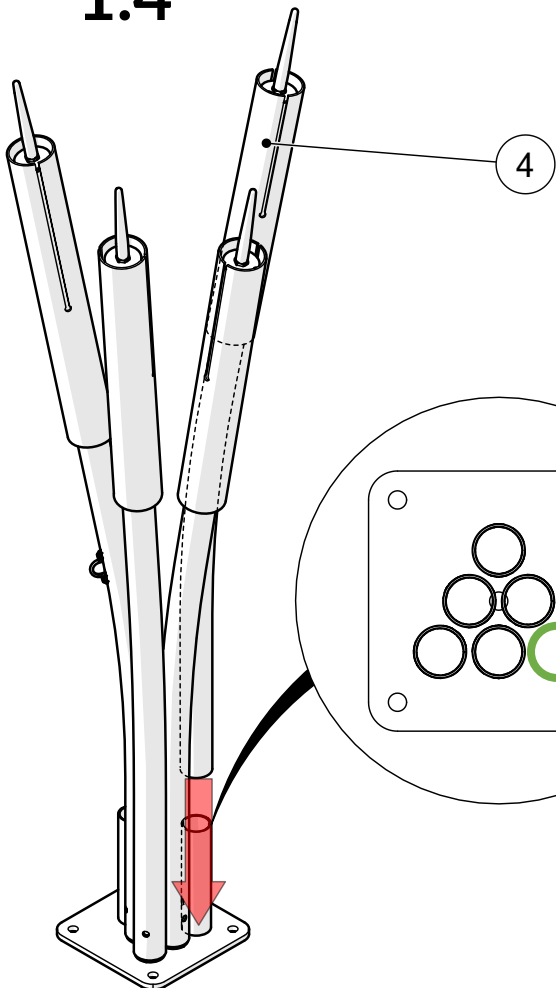
1.2



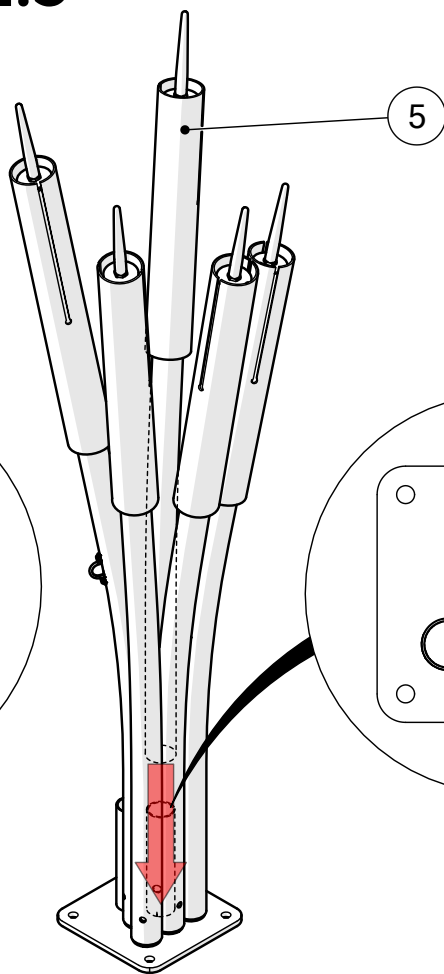
1.3



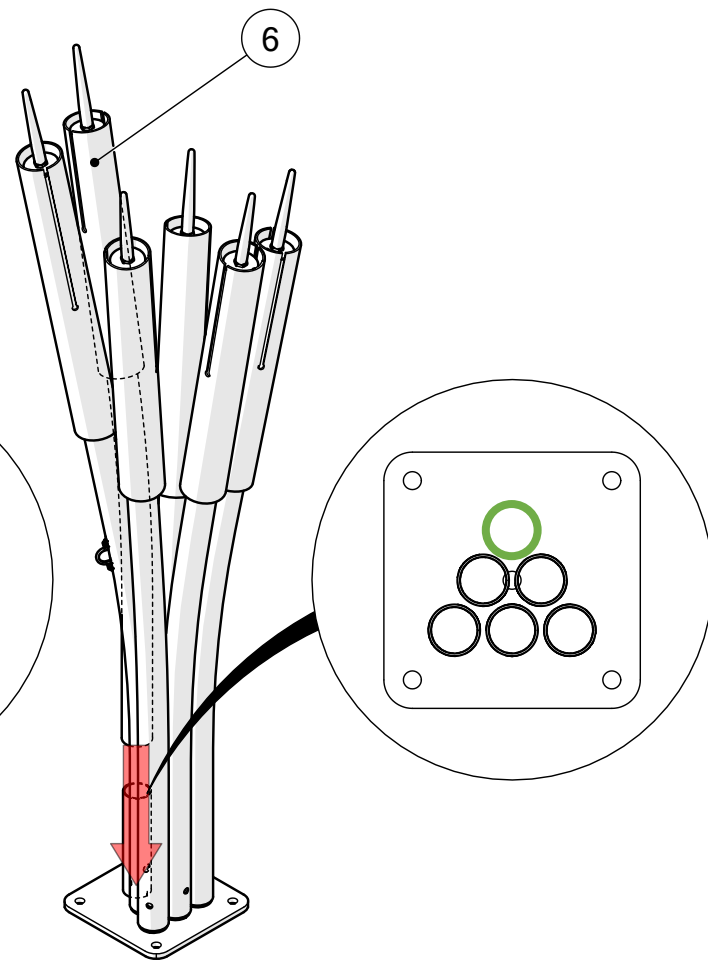
1.4



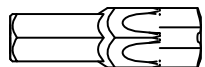
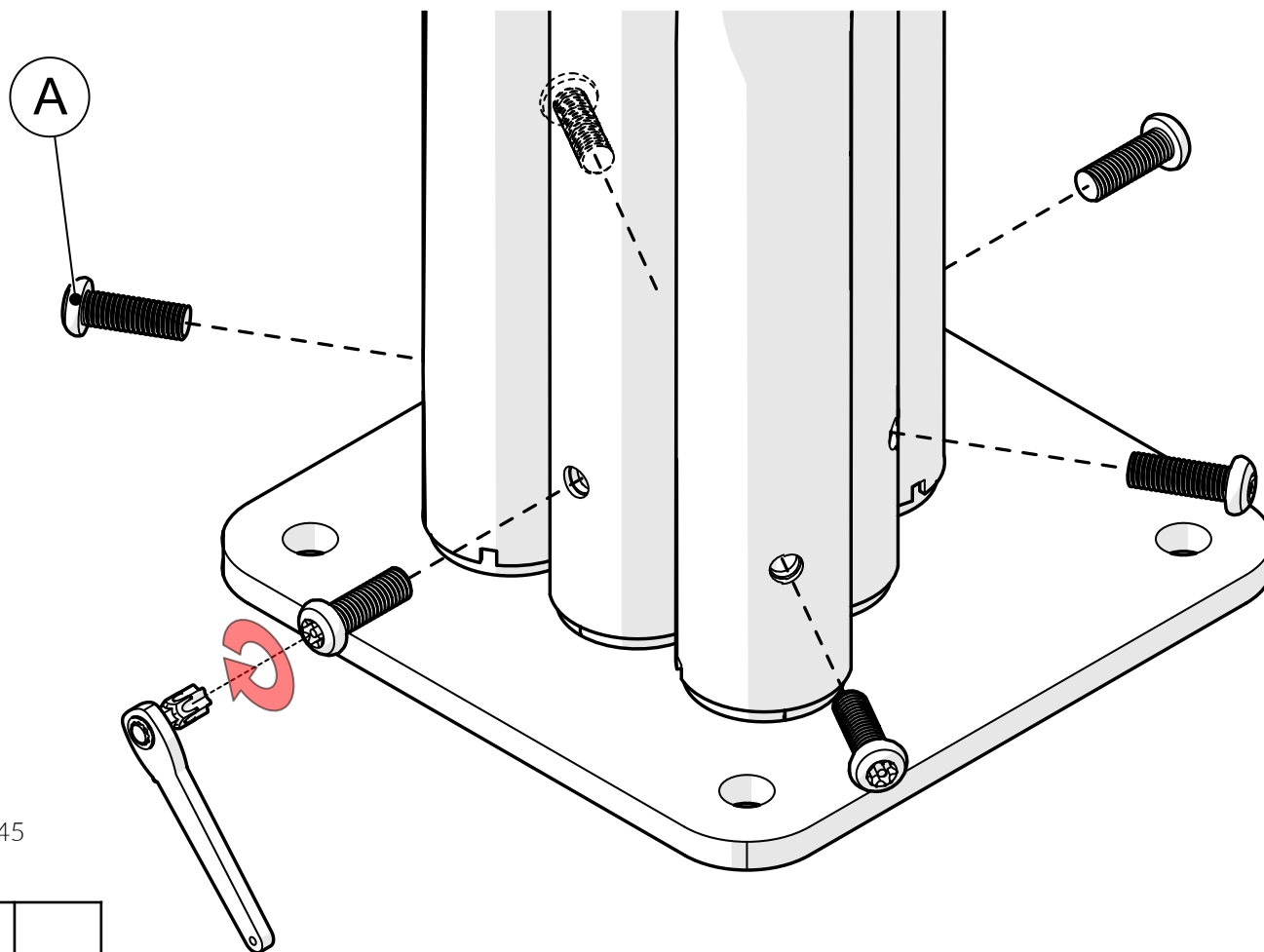
1.5



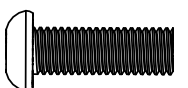
1.6



2.



TX45

A		x6
---	-------------------------------------------------------------------------------------	----

3.



Surface fixing should not present a hazard

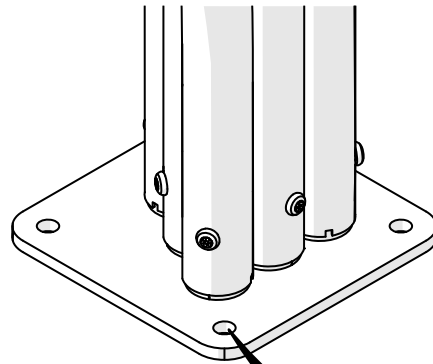
Refer to your local Health & Safety standards

D		x4
E		x4

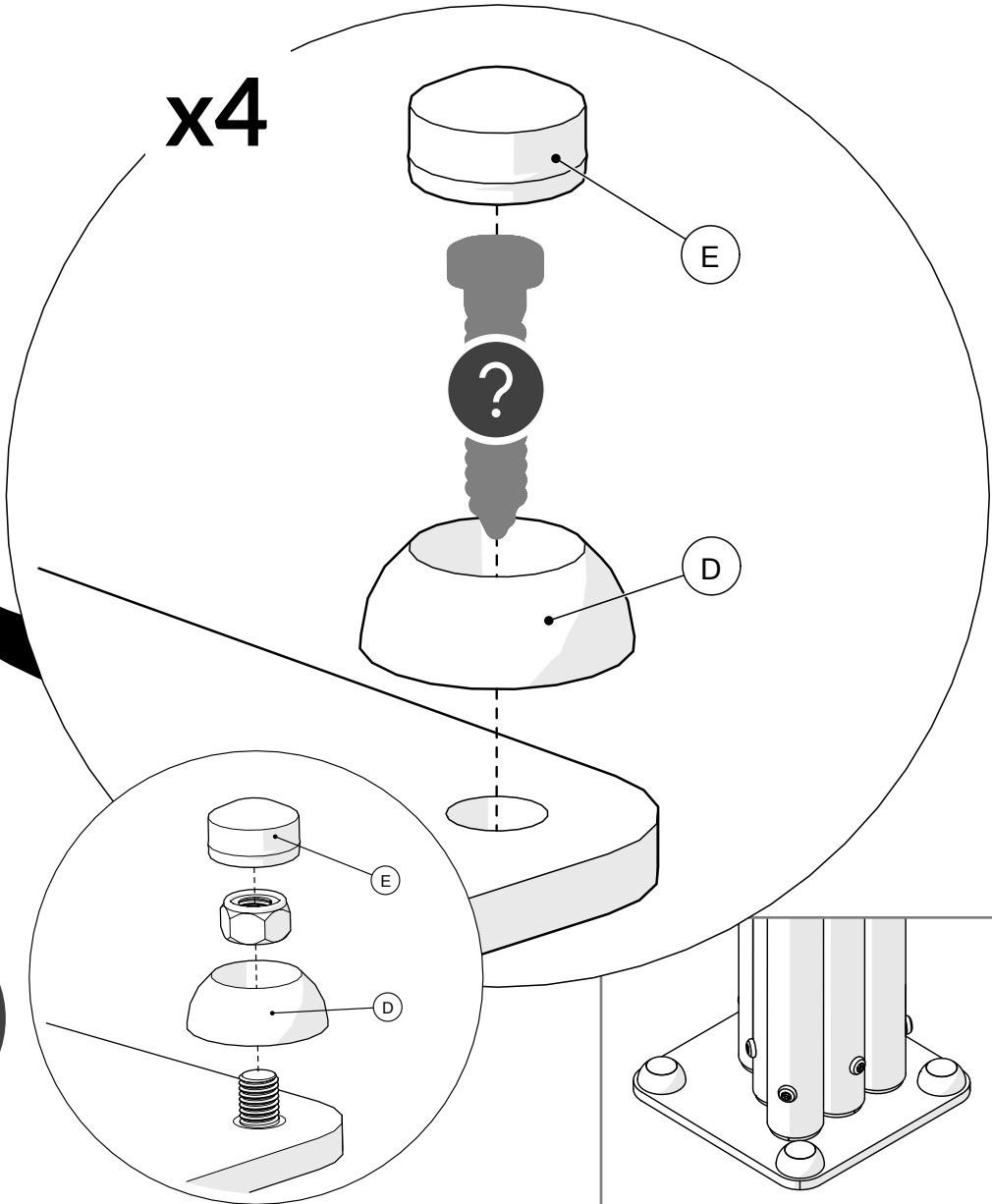
Surface

Example fixing

	Wood		x4
	Concrete		x4
	Brick		x4

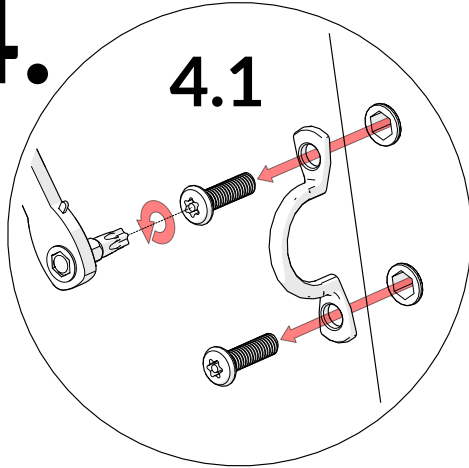


x4

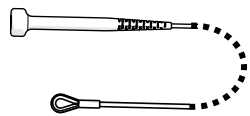
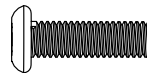
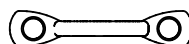


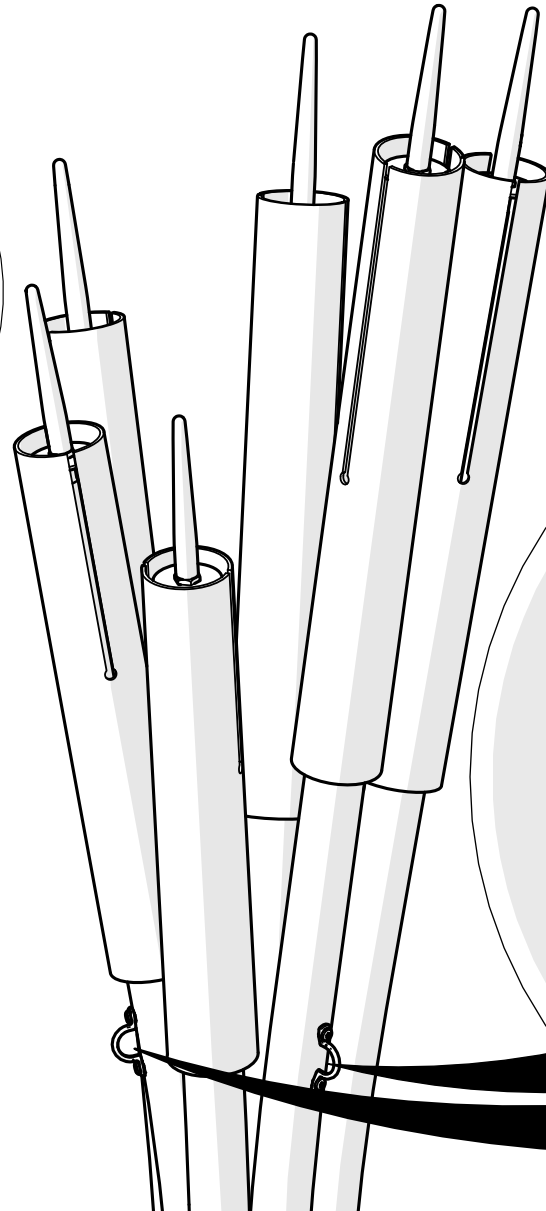
4.

4.1



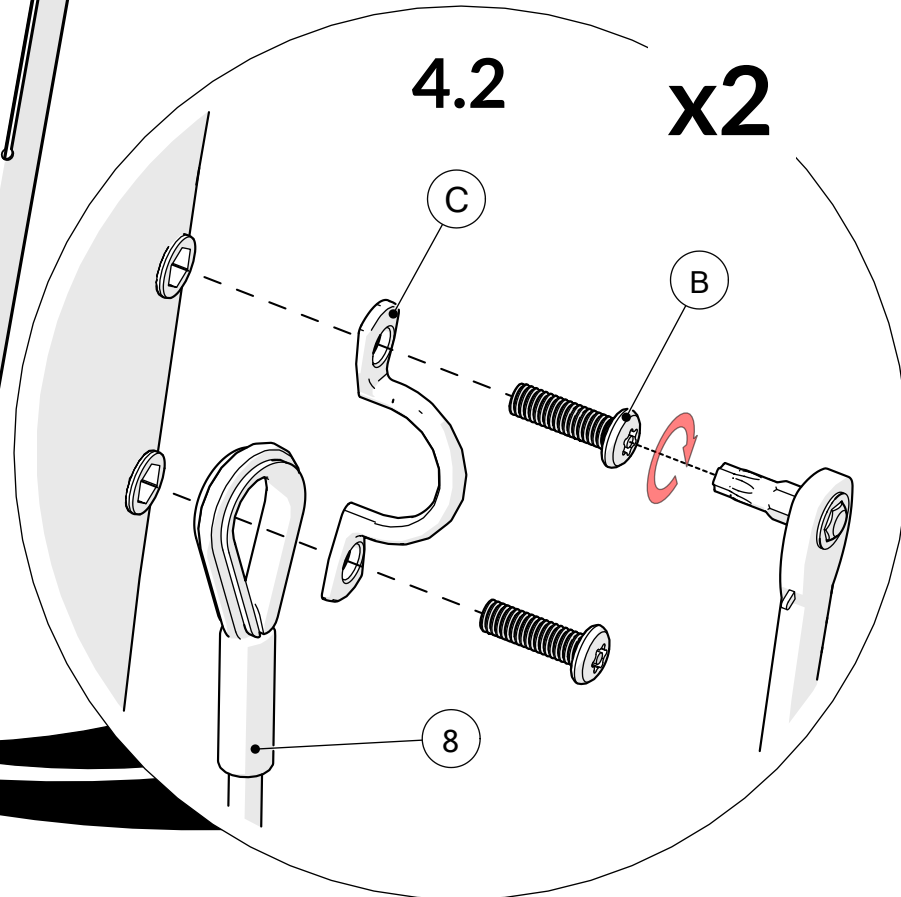
TX30

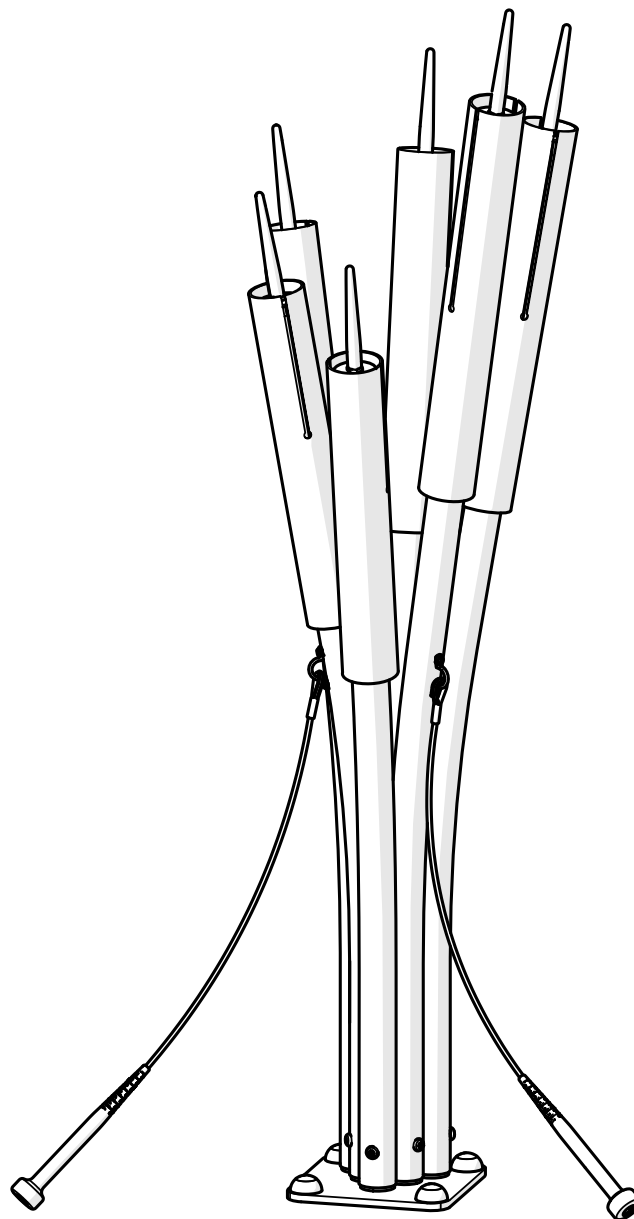
8		x2
B		x4
C		x2



4.2

x2





percussionplay.com



info@percussionplay.com



UK
[01730 235 180](tel:01730235180)

USA & CAN
[+1 \(866\) 882 9170](tel:+18668829170)

EUR & ROW
[+44 1730 235 180](tel:+441730235180)