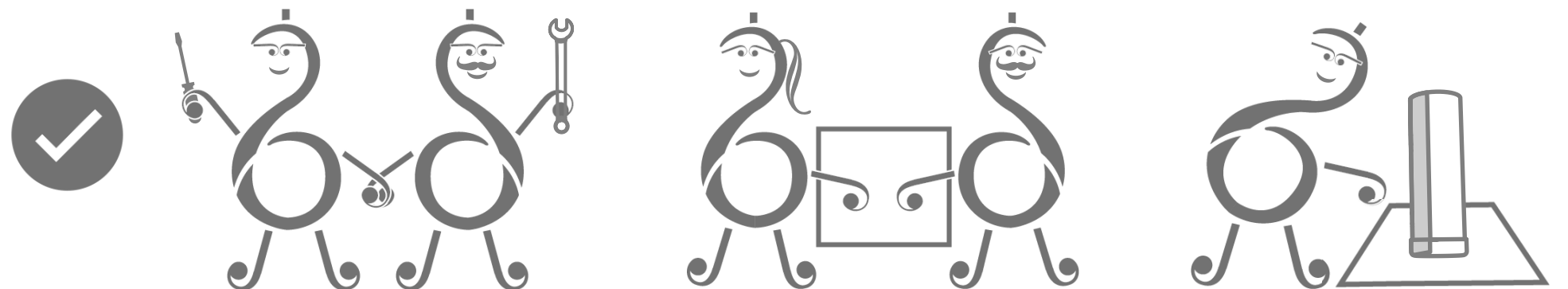
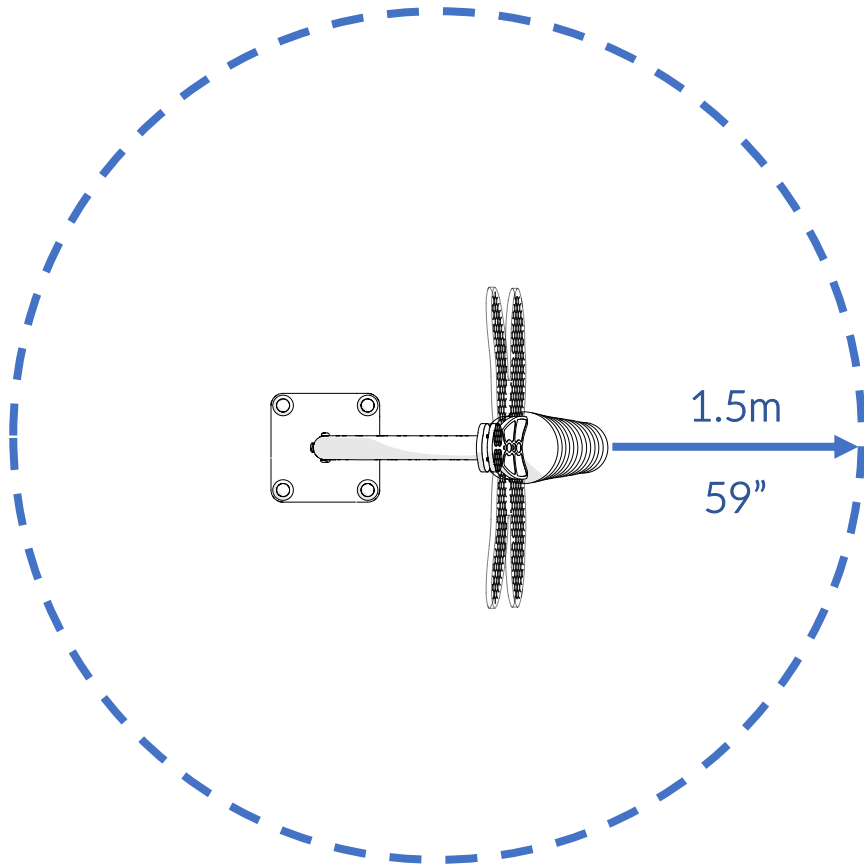


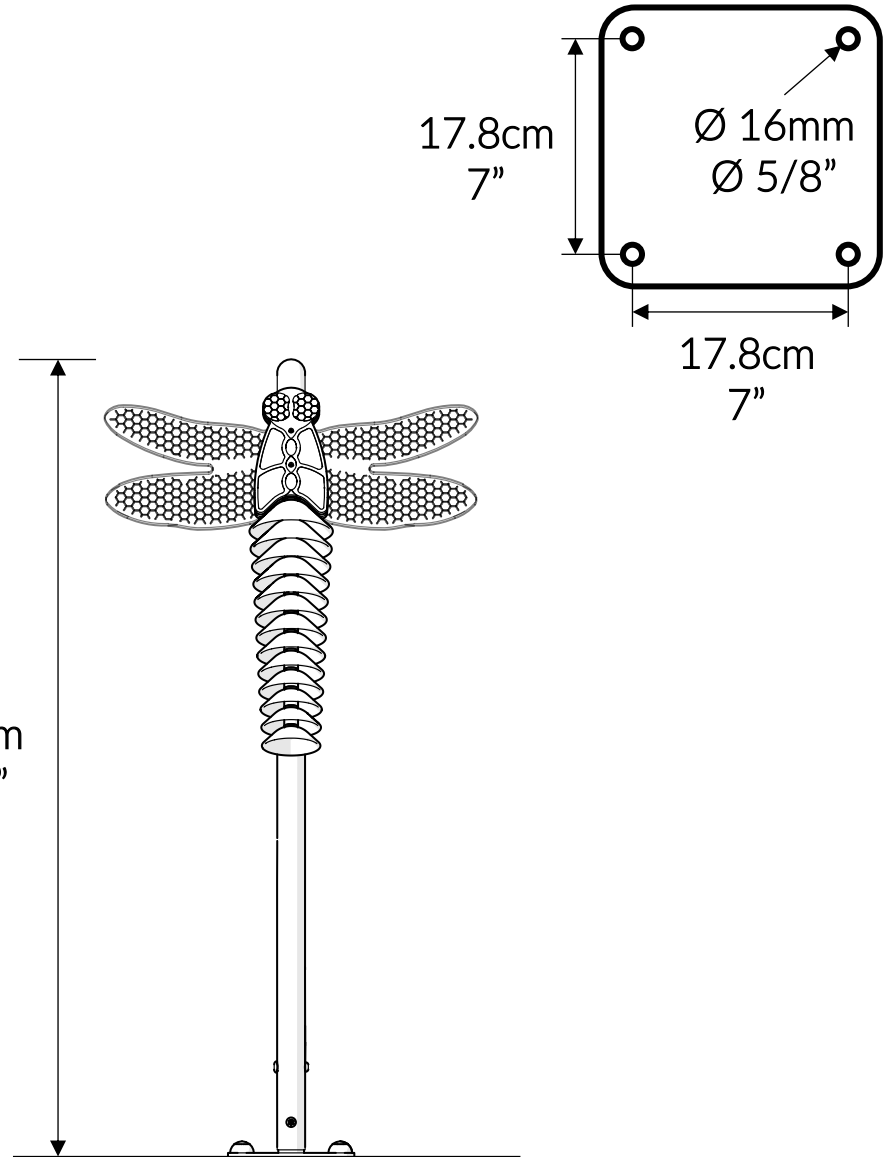
Part Reference	Description
PP-INS-DRAG-SF	Dragonfly (Surface Fix)



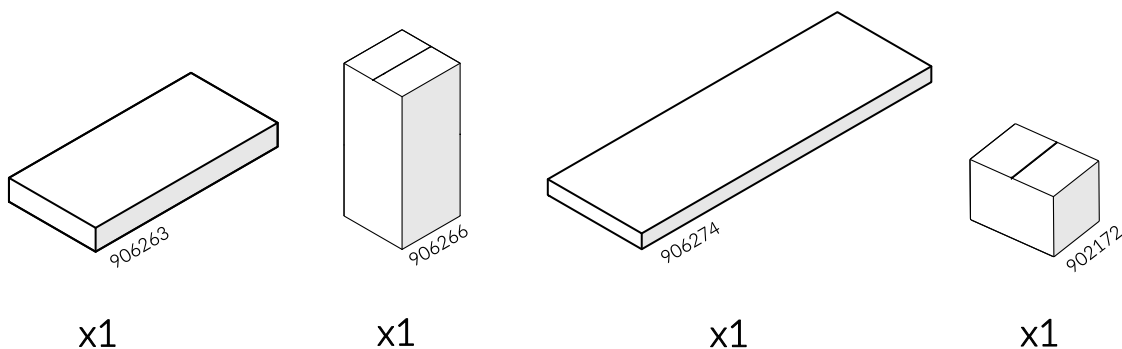




Check Risk Assessment



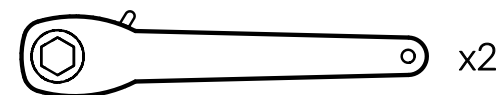
## Packages



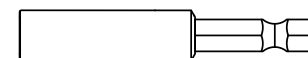
		L	W	H	Weight	Net
x1	906263	79cm / 31"	37.5cm / 15"	9cm / 3.5"		
x1	906266	50cm / 20"	22cm / 9"	22cm / 9"		
x1	906274	148cm / 50"	48cm / 6"	7cm / 2"		
x1	902172	32cm / 12.5"	23cm / 9"	23cm / 9"		

## Tools required (not supplied)

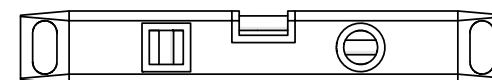
¼" Bit Driver Ratchet



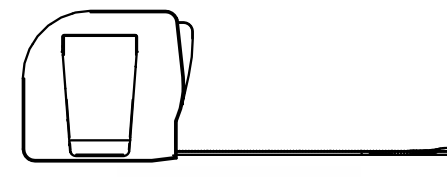
¼" hex adapter



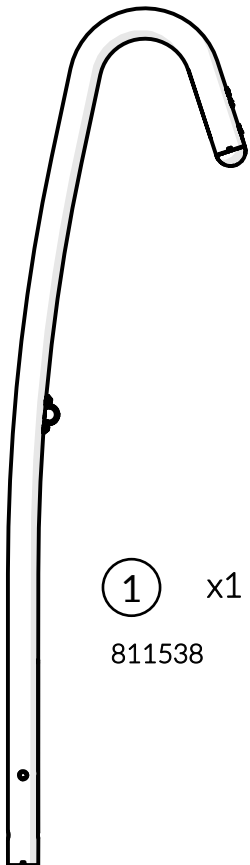
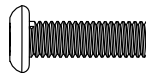
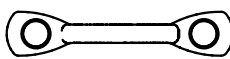
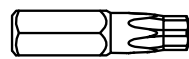
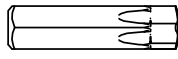
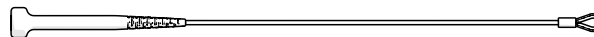
Spirit level



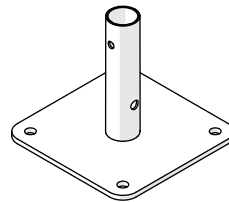
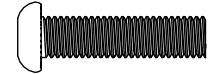
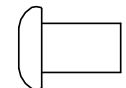
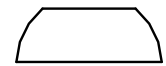

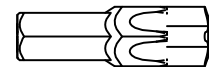
Tape Measure



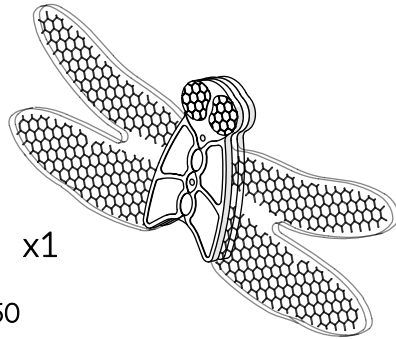
**906274**

 <p style="text-align: center;">① x1 811538</p>	E	x2	
			500746
	F	x1	
			603150
	TX30	x1	
			500473
	TX40	x1	
			500474
⑤ x2			
			906293

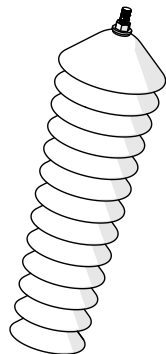
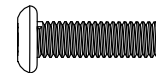
**902172**

②	x1	
		810227
A	x2	
		501196
B	x2	
		500613
C	x4	
		601543
D	x4	
		601542
TX45	x2	
		500720

**906263**

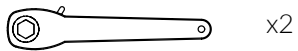
③	x1	
		812250

**906266**

④	x1	
		810269
E	x1	
		500746

# 1.

## 1.1

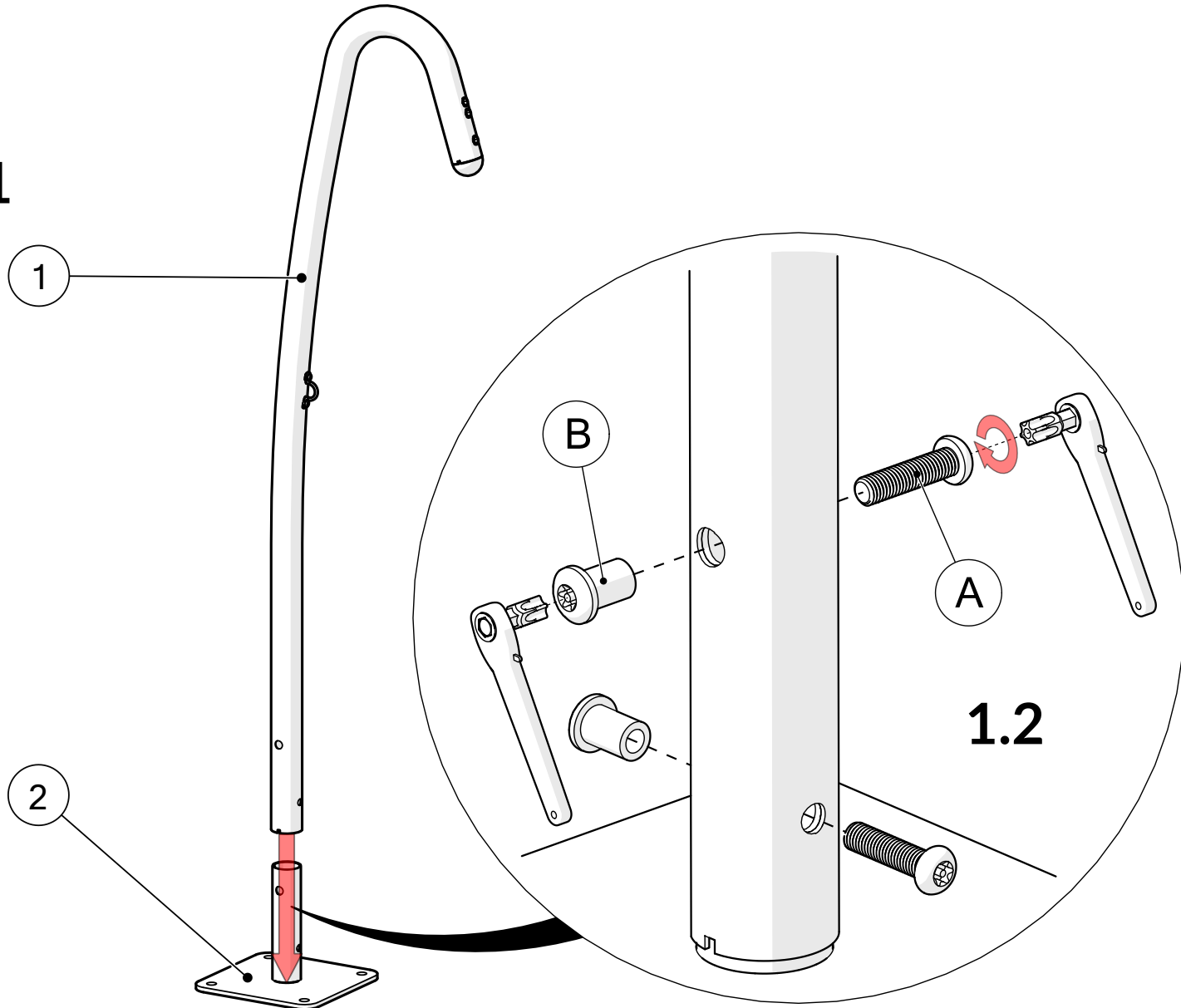


x2



x2 TX45

A		x2
B		x2



# 2.

Surface fixing should not present a hazard



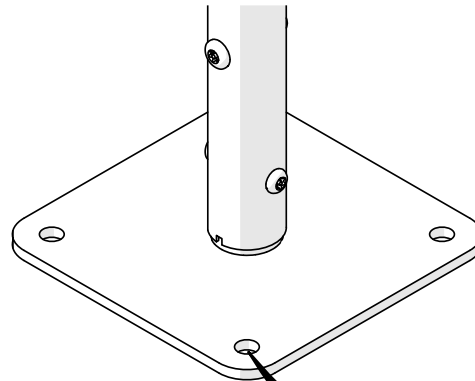
Refer to your local Health & Safety standards

C		x4
D		x4

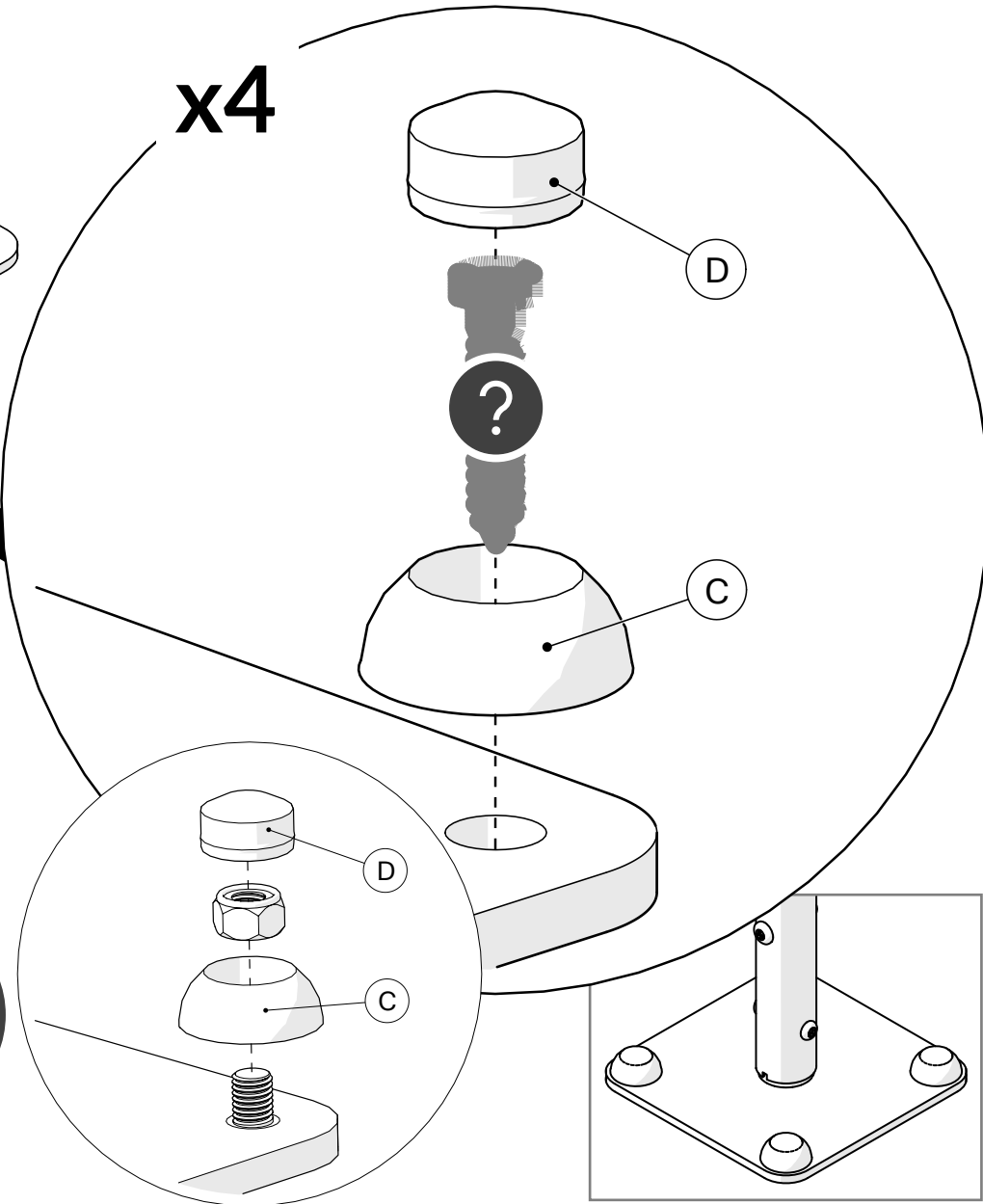
Surface

Example fixing

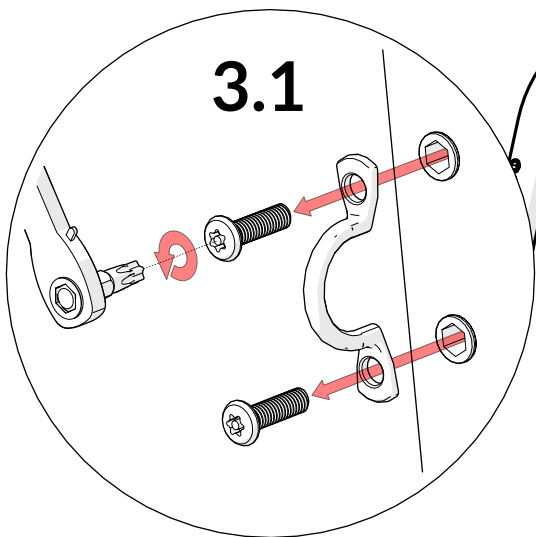
	Wood		x4
	Concrete		x4
	Brick		x4



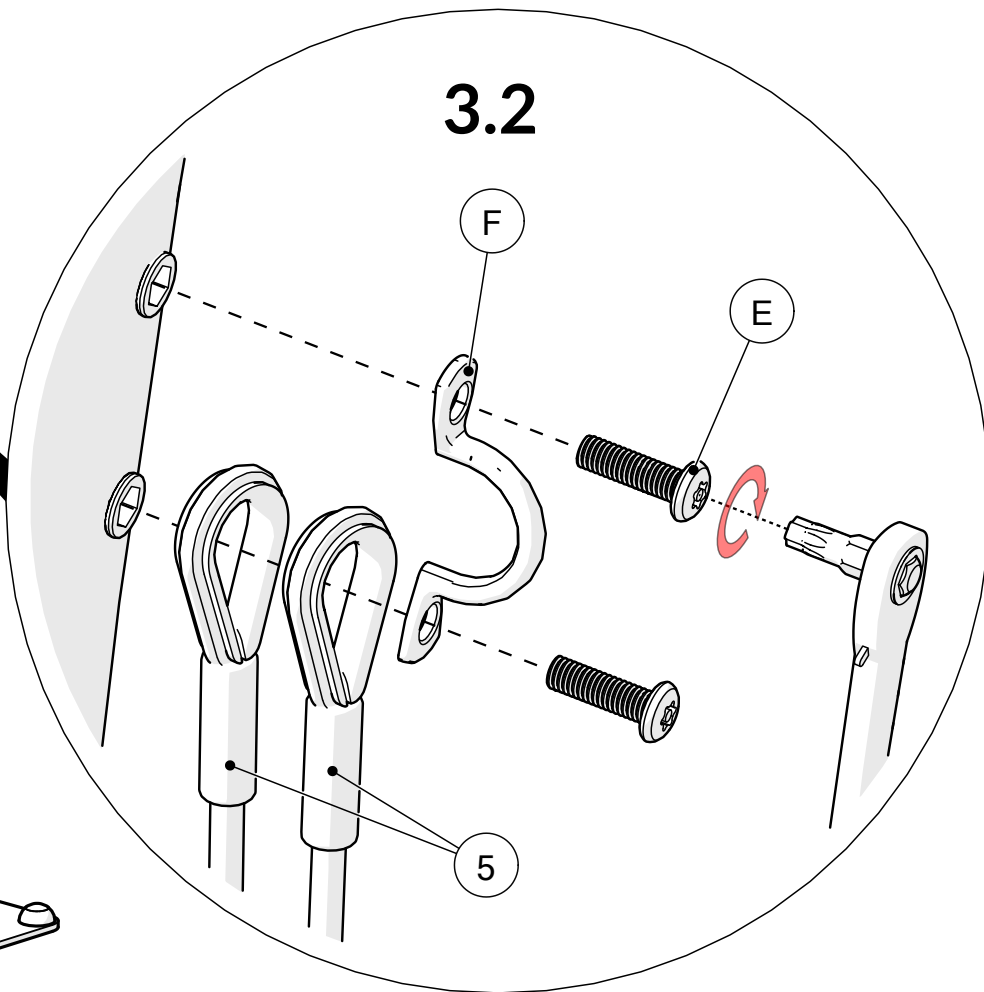
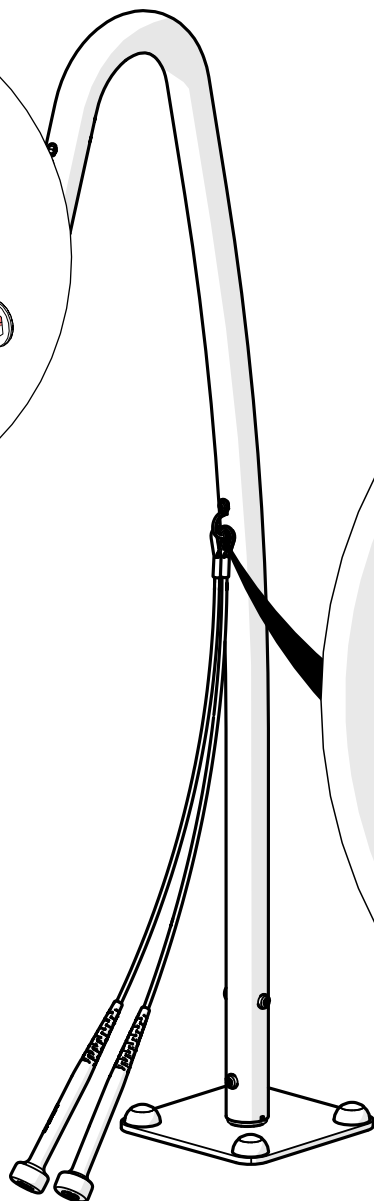
x4



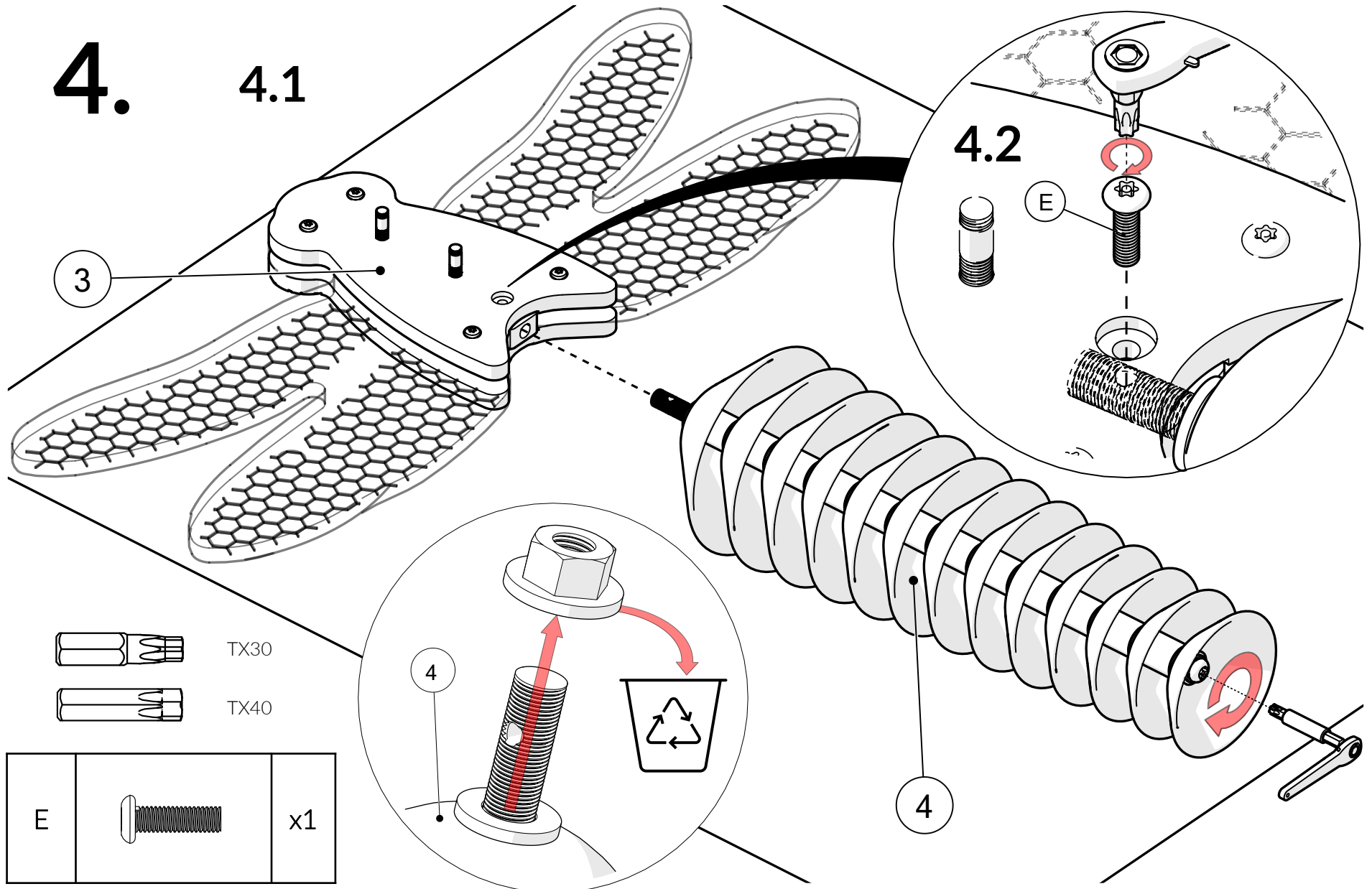
# 3.



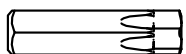
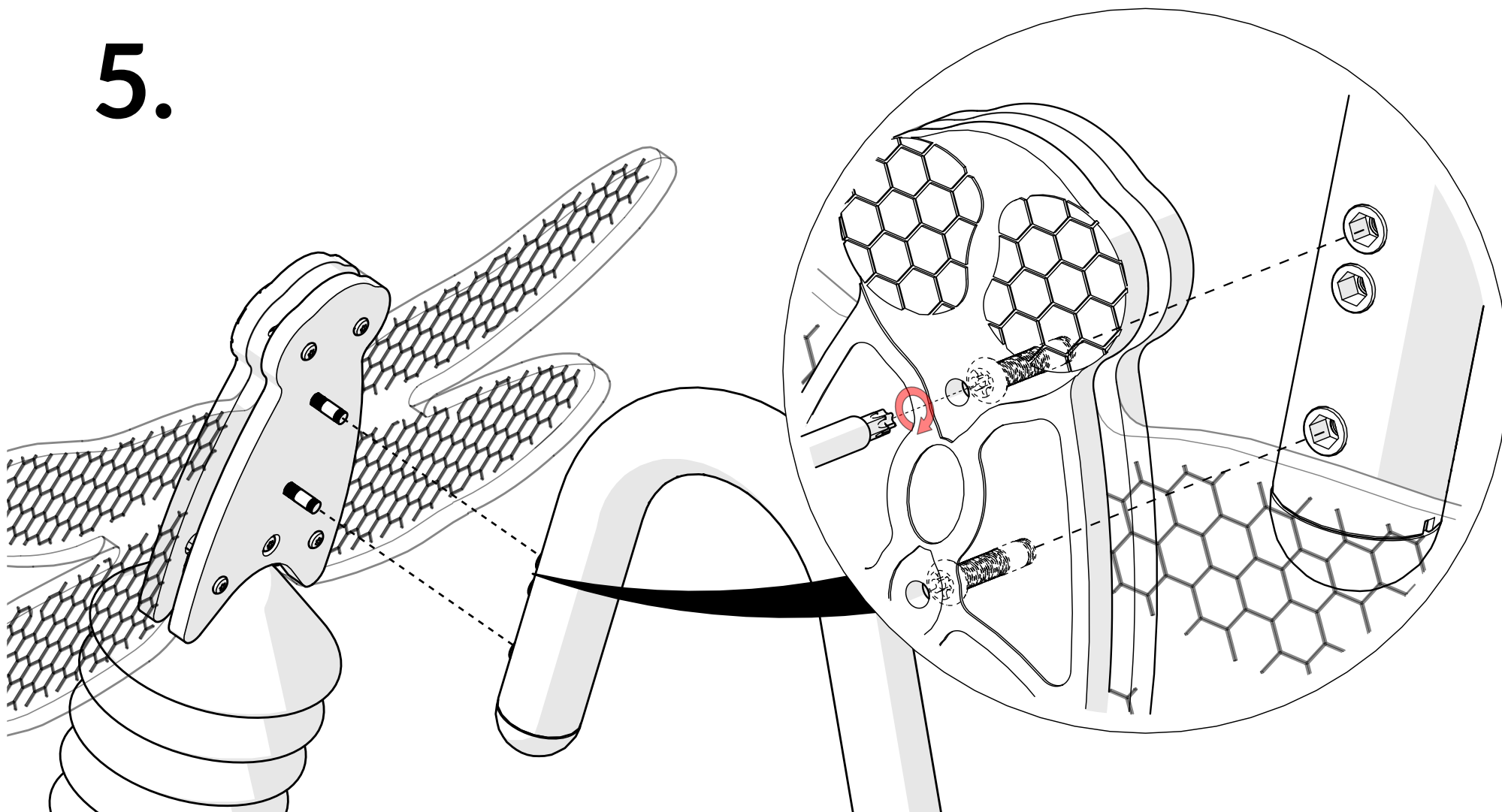
5		x2
E		x2
F		x1



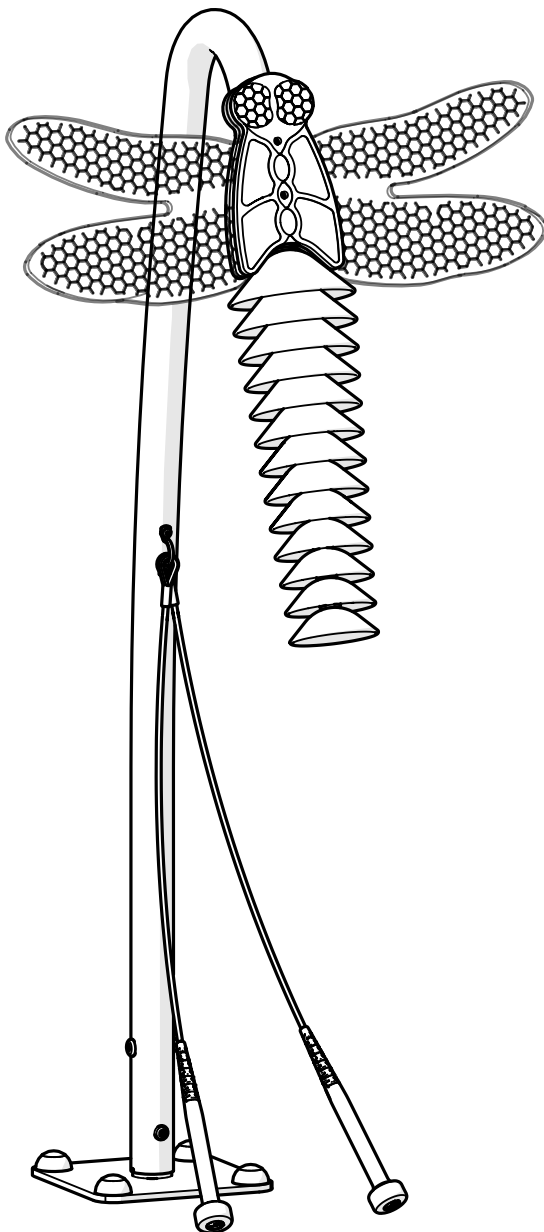




5.



TX40



[percussionplay.com](http://percussionplay.com)



[info@percussionplay.com](mailto:info@percussionplay.com)



UK  
[01730 235 180](tel:+441730235180)

USA & CAN  
[+1 \(866\) 882 9170](tel:+18668829170)

EUR & ROW  
[+44 1730 235 180](tel:+441730235180)