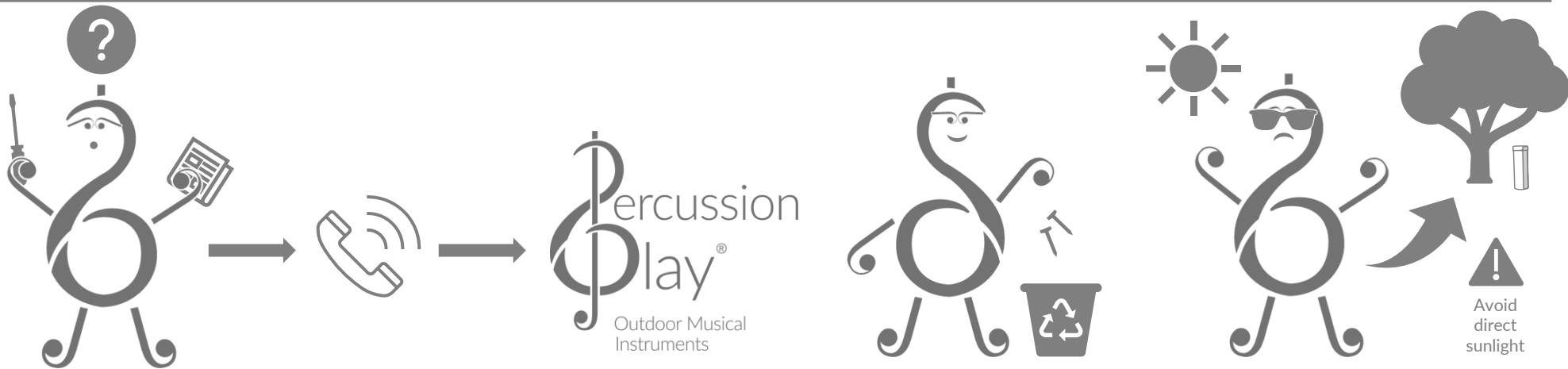
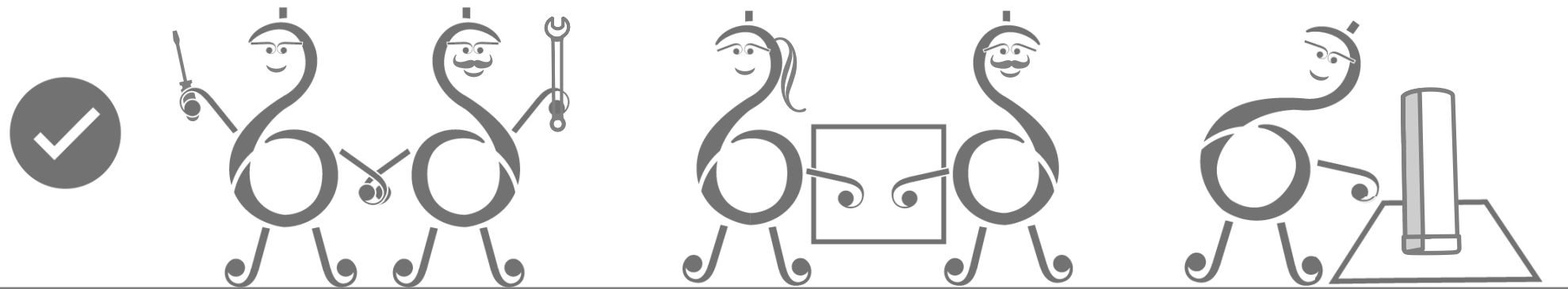
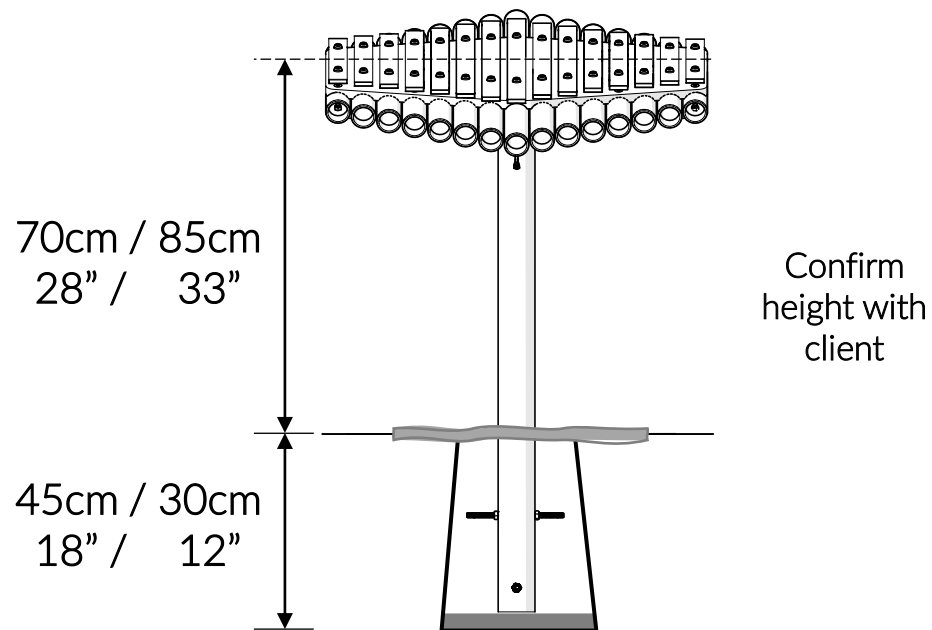
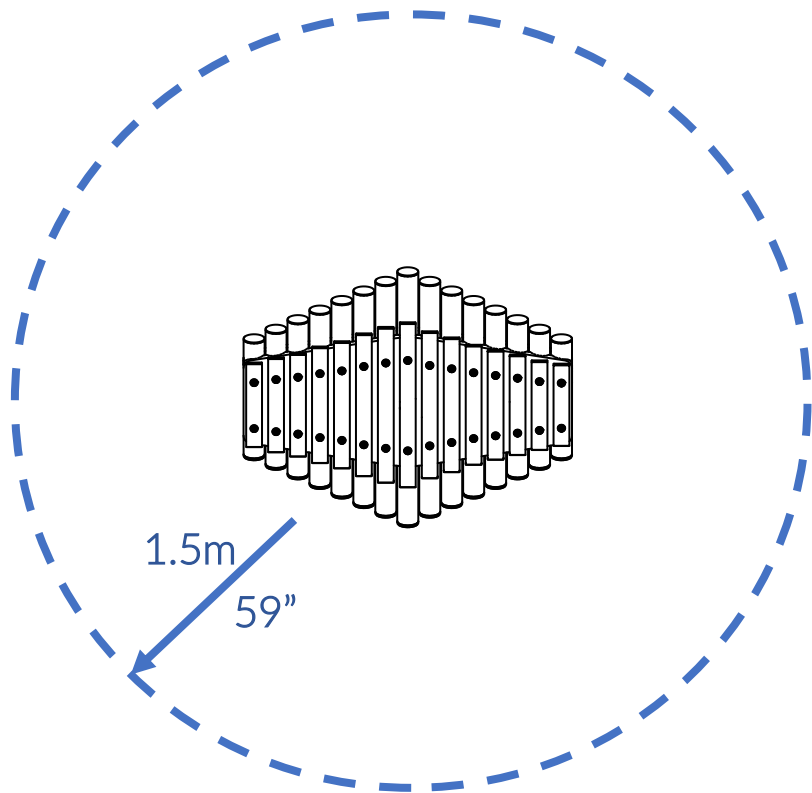


Part Reference	Description
PP-SANS-BL-SD-GR	Sansa-Rimba - Bellatta (Ground Fix)
PP-SANS-MY-SD-GR	Sansa-Rimba - Mysteria (Ground Fix)
PP-SANS-SA-SD-GR	Sansa-Rimba - Saxata (Ground Fix)
PP-SANS-RB-SD-GR	Sansa-Rimba - Rainbow (Ground Fix)

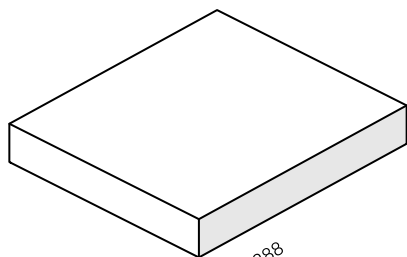




Check Risk Assessment

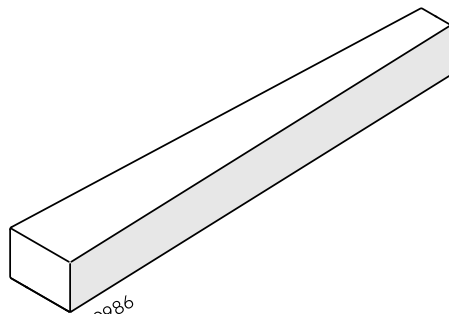


Packages



x1

900288
900289
905233
905234



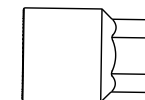
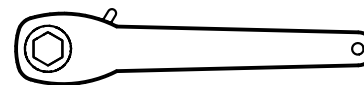
x1

900986

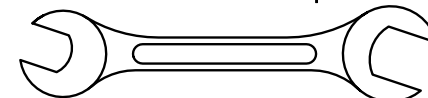
		L	W	H	Weight	Net
x1	900288 900289 905233 905234	80cm / 31.5"	70cm / 27.5"	12cm / 5"	15kg / 33lbs	
x1	900986	117cm / 46"	18cm / 7"	13cm / 5"	5kg / 11lbs	

Tools required (not supplied)

¼" Bit Driver Ratchet ½" Socket spanner

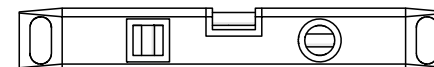


11/16" / 17mm Spanner

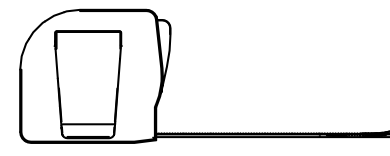


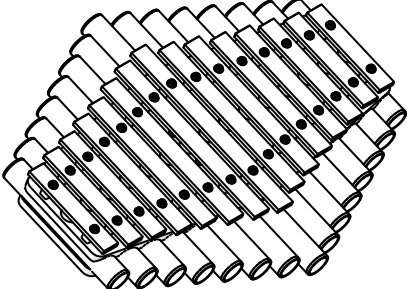
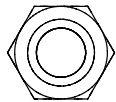
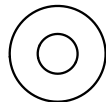

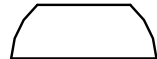
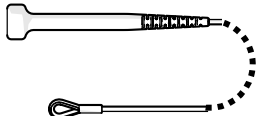

x2

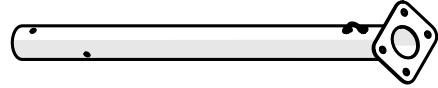


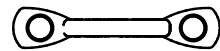

Spirit level



Tape Measure

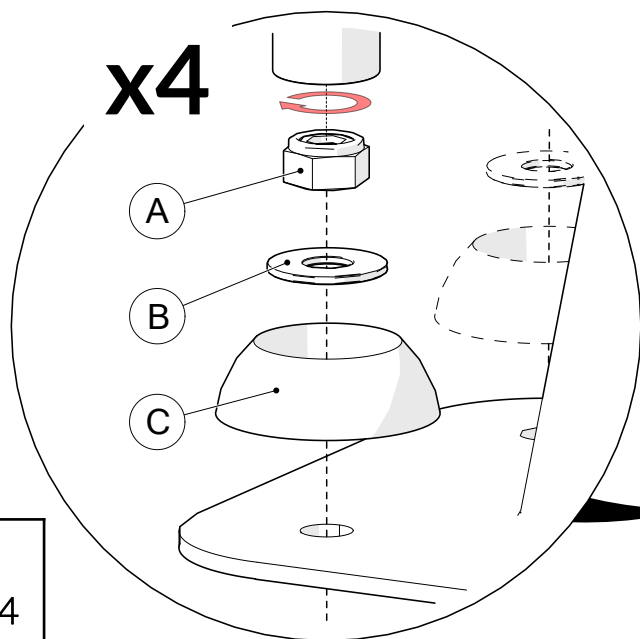


<p>900288 900289 905233 905234</p>	
<p>① x1</p> 	
<p>Ⓐ x4 500676</p> 	<p>Ⓑ x4 500673</p> 
<p>x1 TX30 500473</p> 	<p>Ⓒ x4 600707</p> 
<p>② x2 900837</p> 	<p>Ⓓ x4 600708</p> 

<p>900986</p>	
<p>③ x1 800549</p> 	<p>Not to scale</p>
<p>Ⓔ x4 500457</p> 	
<p>Ⓕ x2 500627</p> 	
<p>Ⓖ x1 603150</p> 	
<p>Ⓗ x2 500746</p> 	

1.

1.1



x4

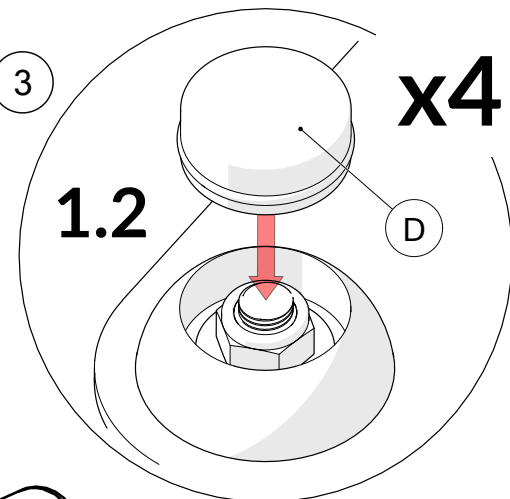
A

B

C

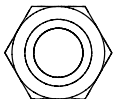
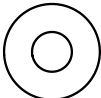


1

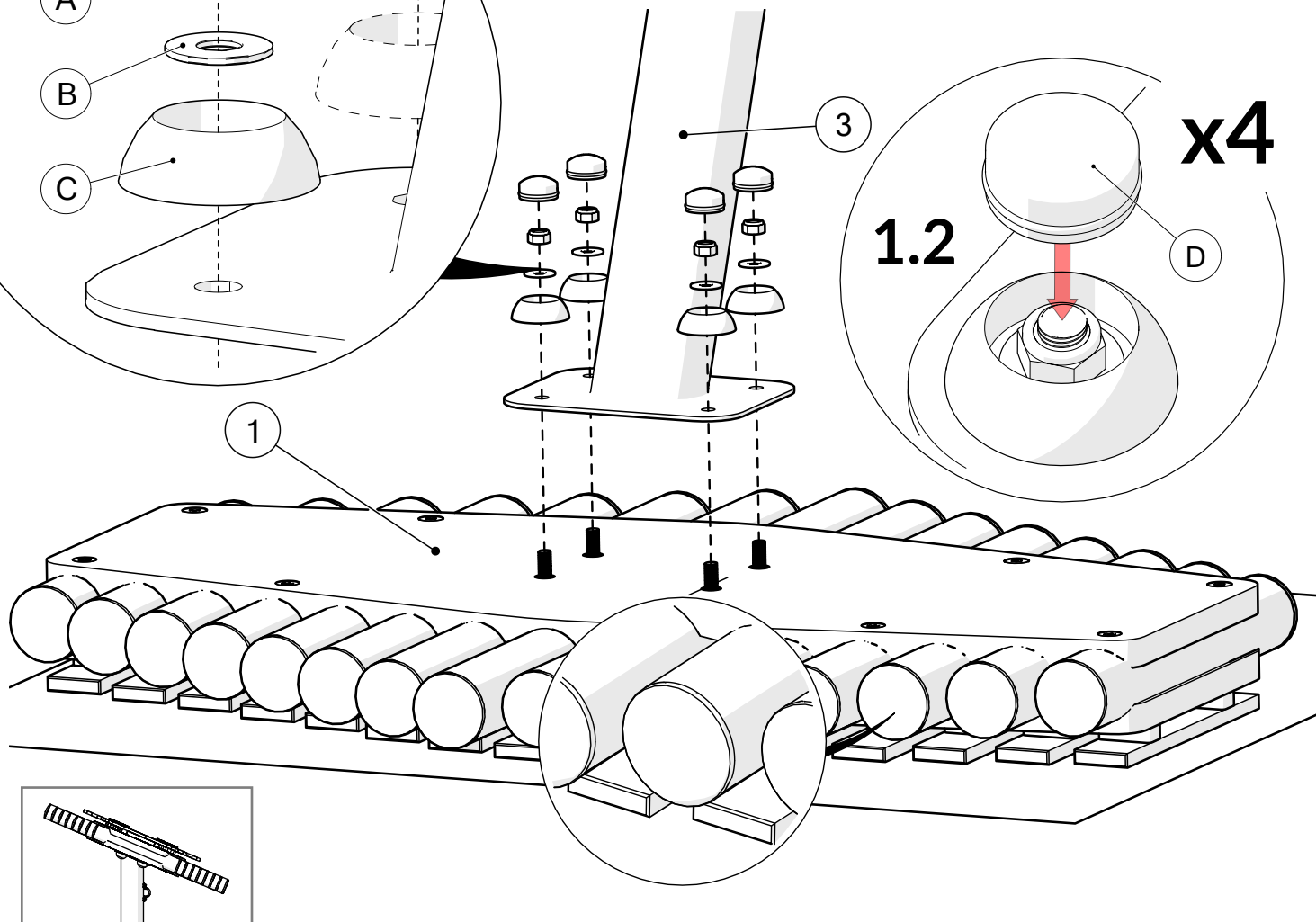
1.2



x4

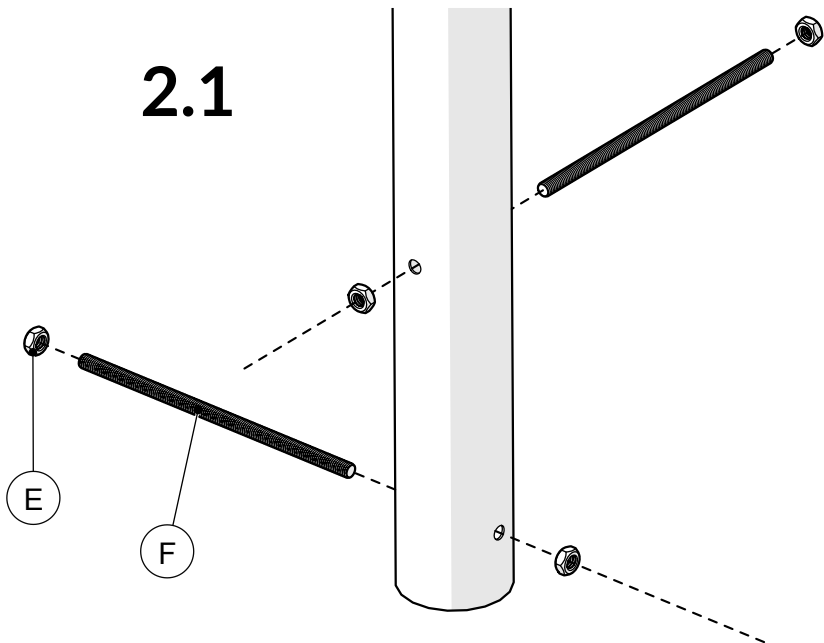
D

A		x4
B		x4
C		x4
D		x4

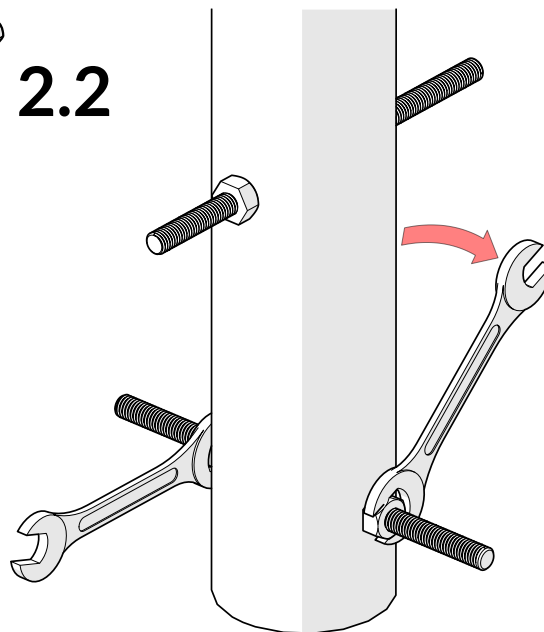


2.

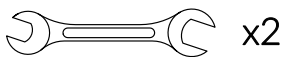
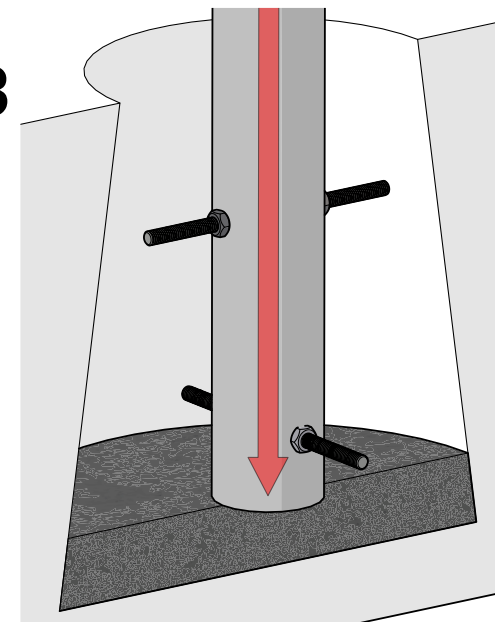
2.1



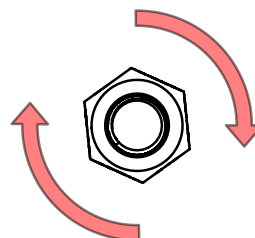
2.2



2.3



E		x4
F		x2

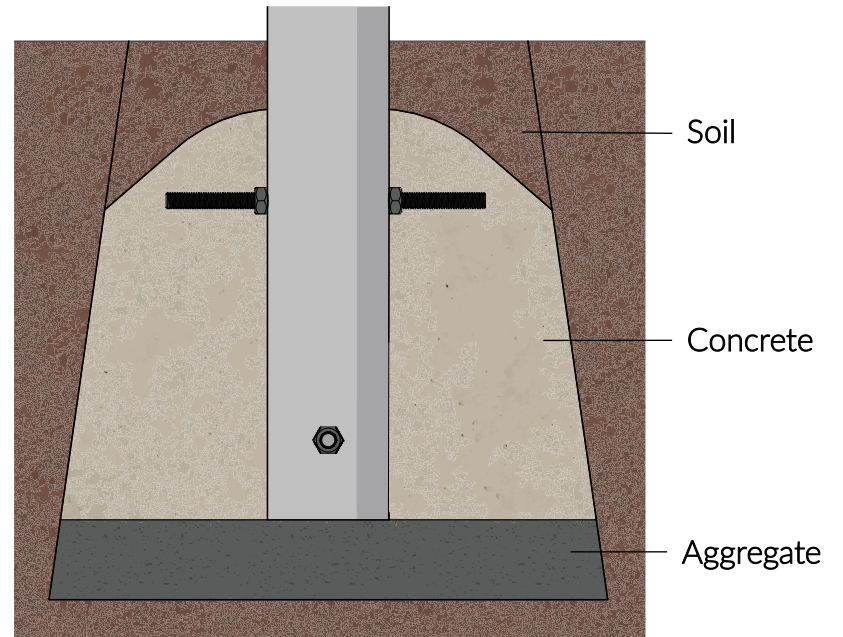
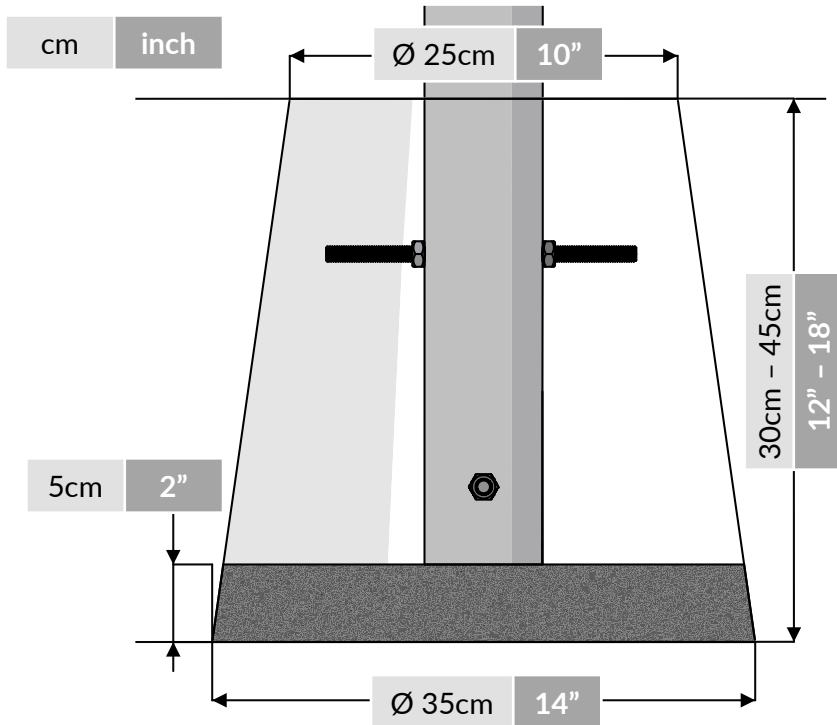
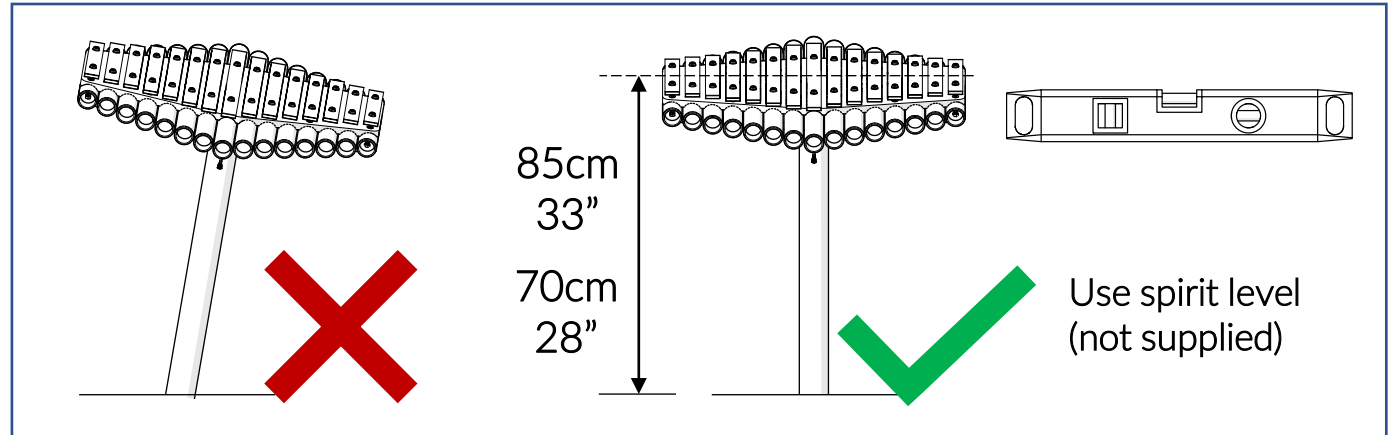


3.

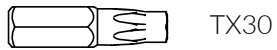
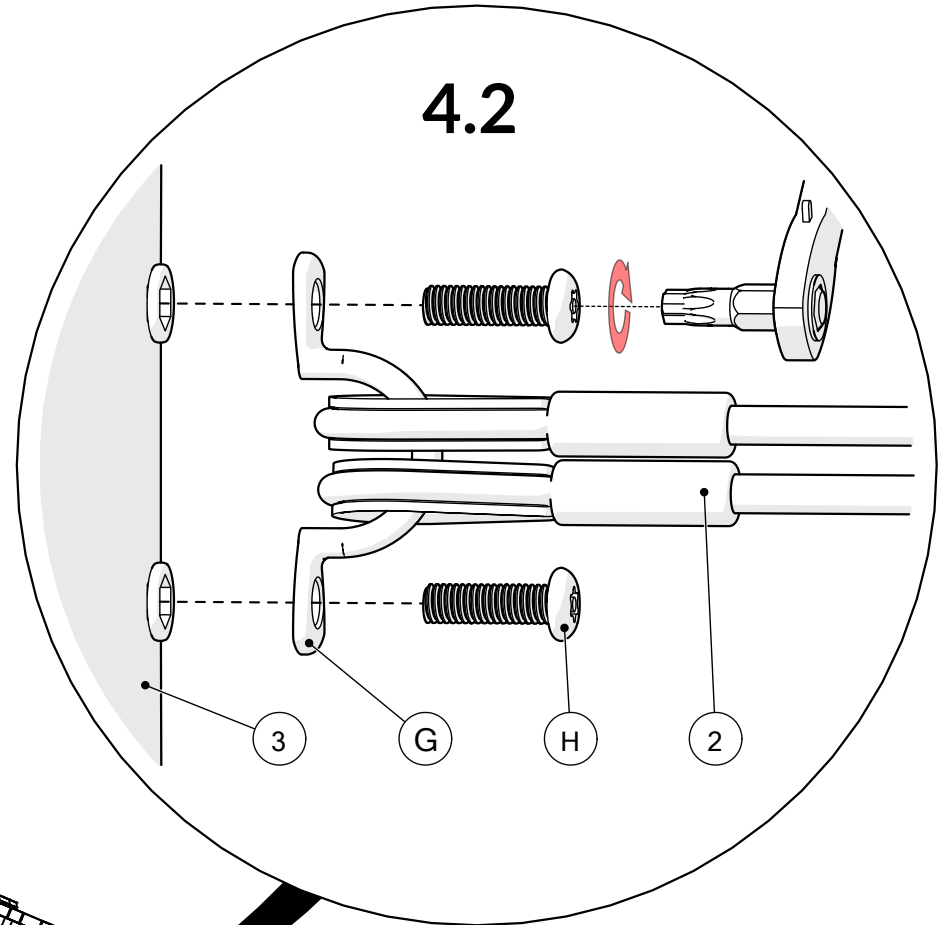
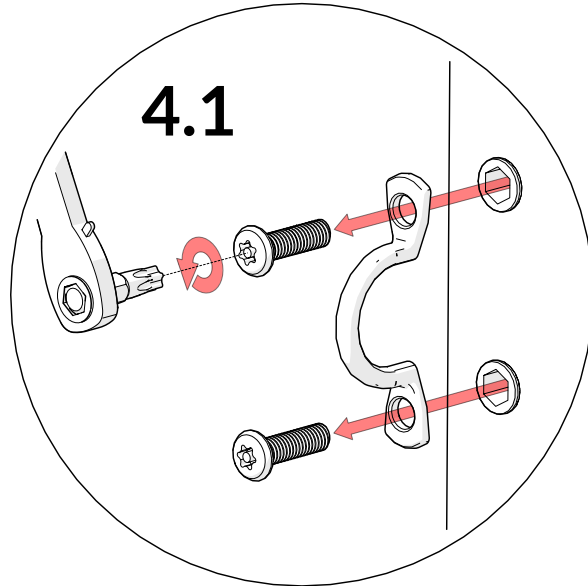


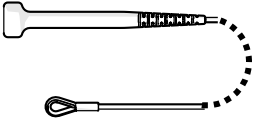
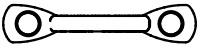
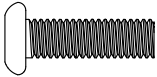
Foundations should not present a hazard

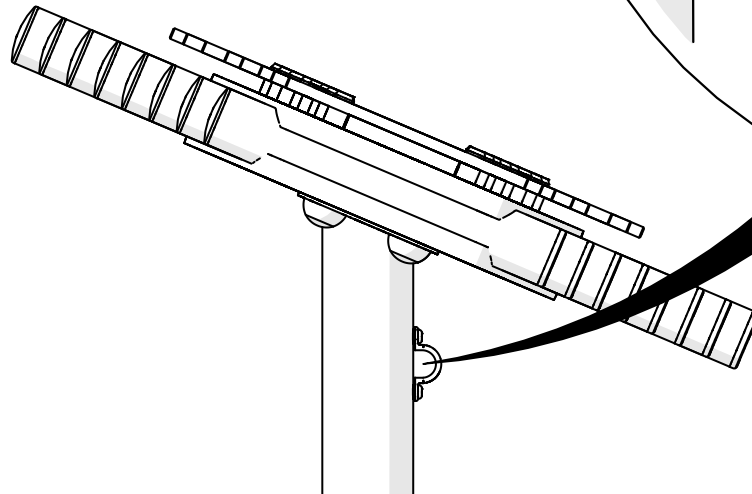
Refer to your local Health & Safety standards

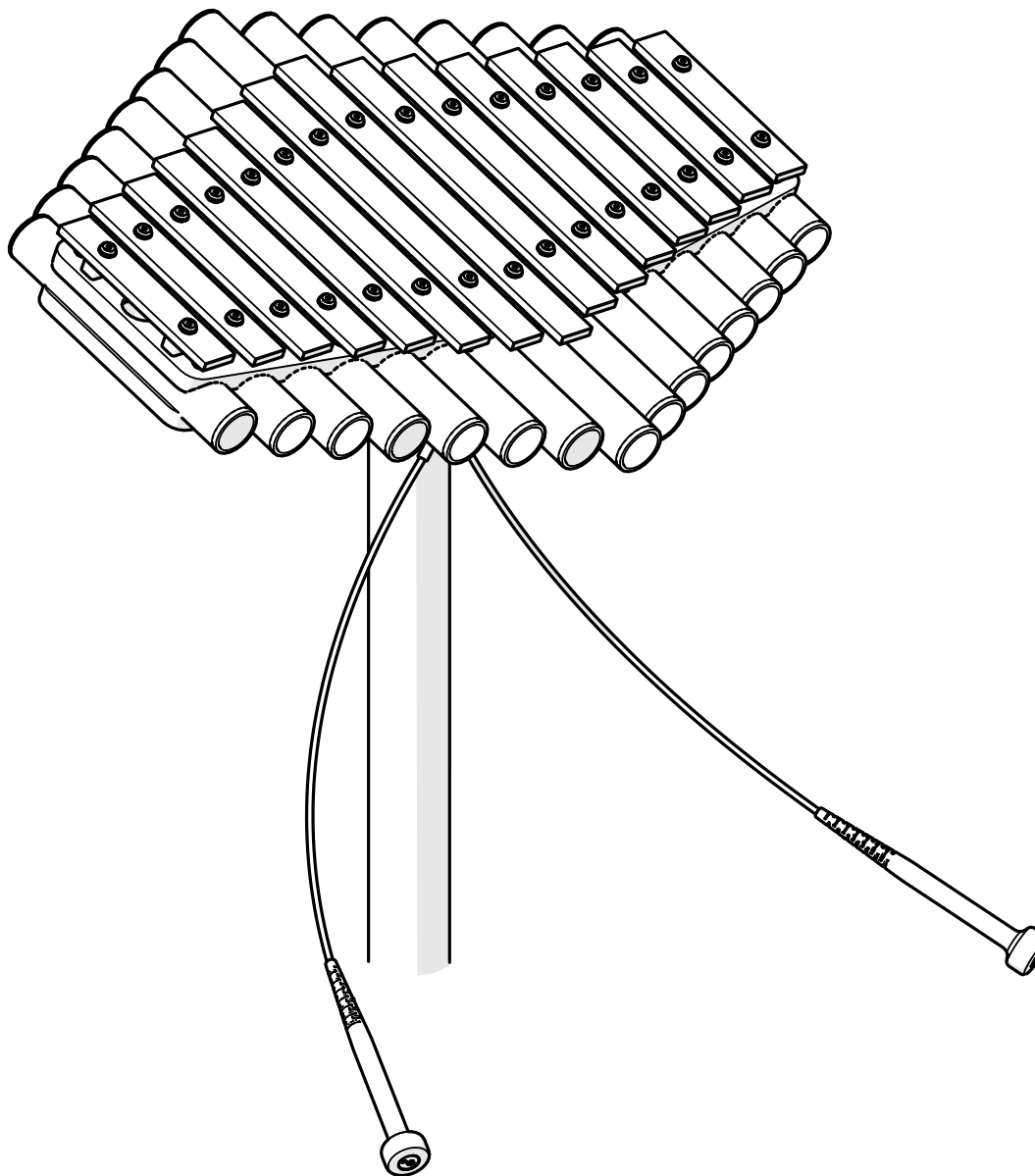


4.



2		x2
G		x1
H		x2





percussionplay.com



info@percussionplay.com



UK
[01730 235 180](tel:01730235180)

USA & CAN
[+1 \(866\) 882 9170](tel:+18668829170)

EUR & ROW
[+44 1730 235 180](tel:+441730235180)