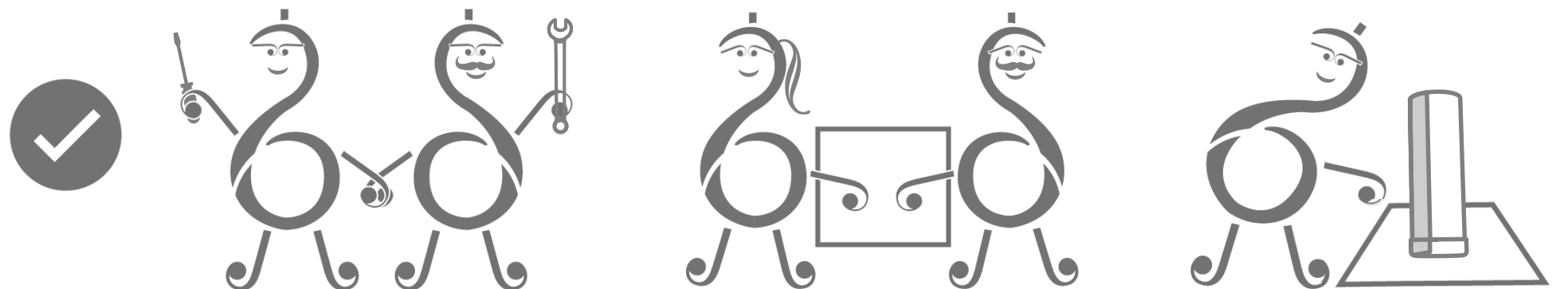
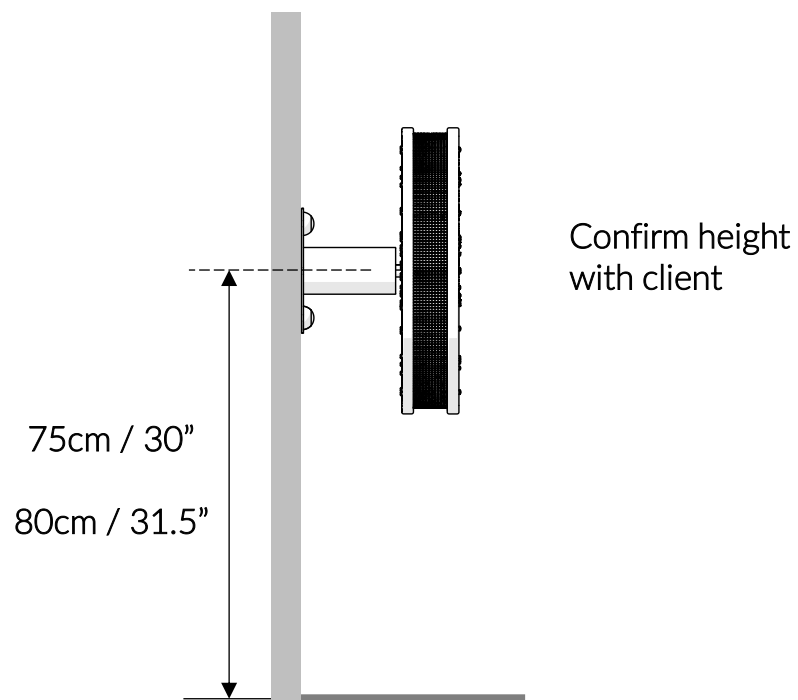
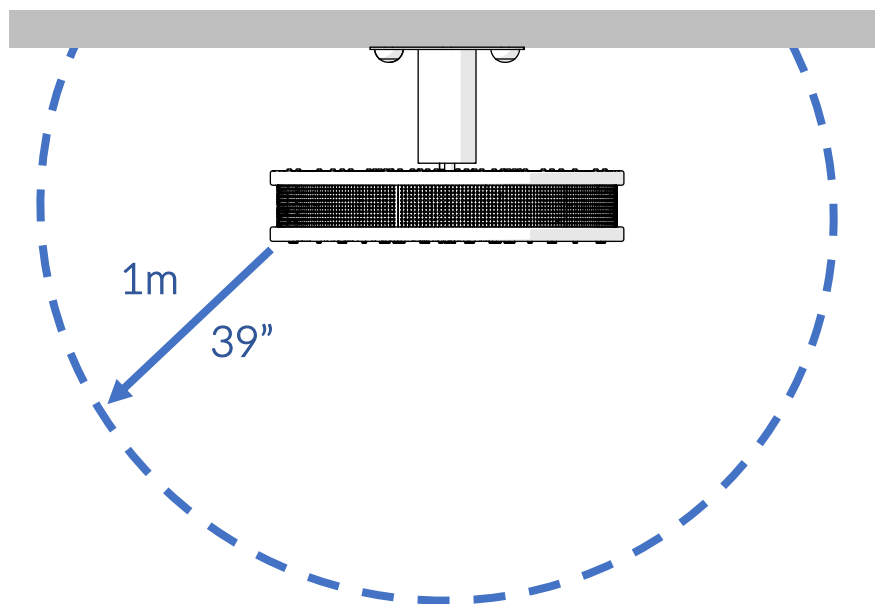


Part Reference	Description
PP-CYCL-WF	Cyclone (Wall Fix)

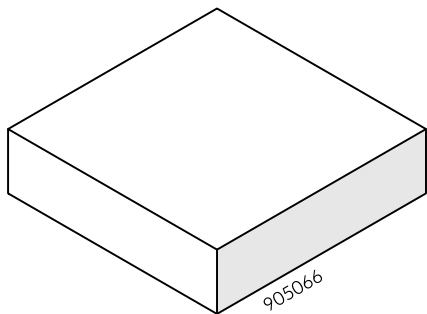




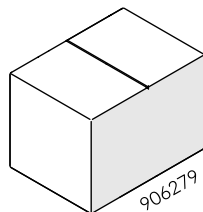
Check Risk Assessment



Packages



x1

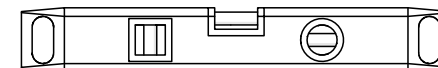


x1

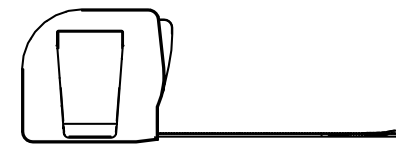
		L	W	H	Weight	Net
x1	905066	60cm / 24"	60cm / 24"	16cm / 6"	6kg / 13lbs	
x1	906279	32cm / 12.5"	23cm / 9"	23cm / 9"	3kg / 7lbs	

Tools required (not supplied)

Spirit level



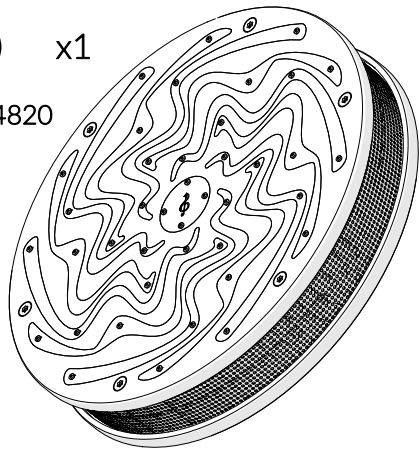
Tape Measure



905066

① x1

804820



17mm x1

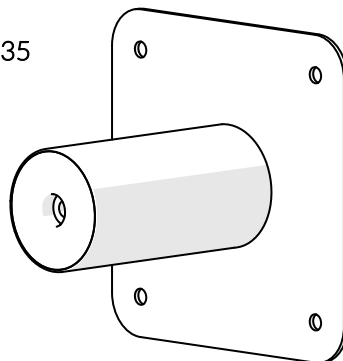
605482



906279

② x1

811735



Ⓐ x4

600707



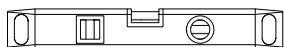
Ⓑ x4



600708



1.




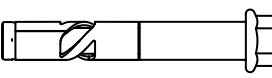

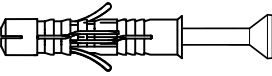
Use spirit level

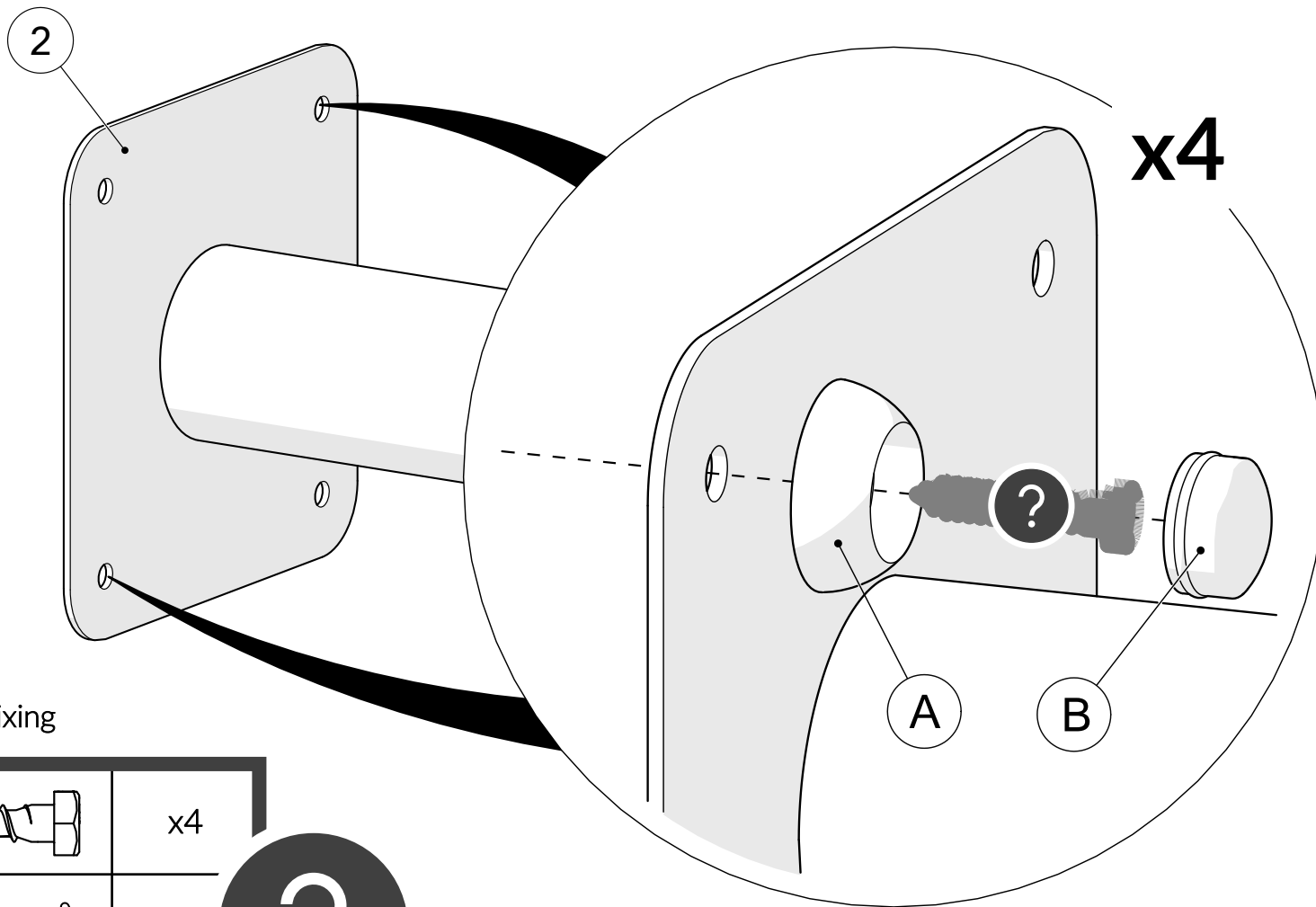


A		x4
B		x4

Wall

Example fixing

	Wood		x4
	Concrete		x4
	Brick		x4

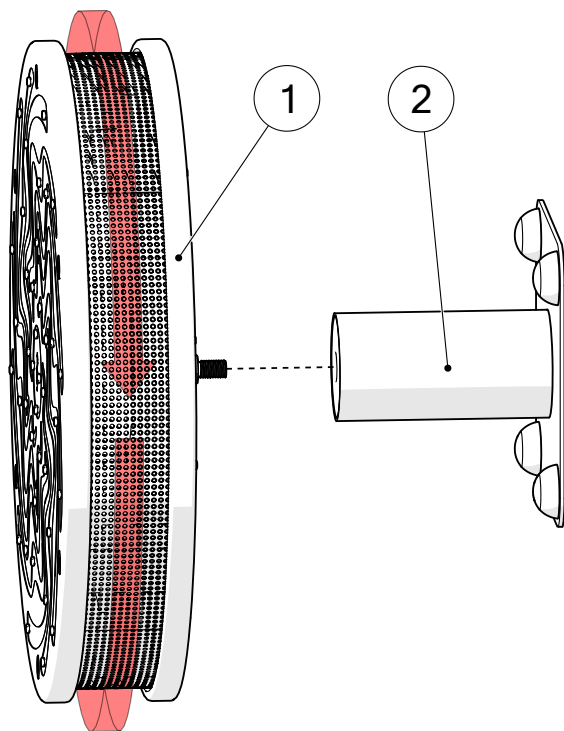


Wall fixing should not present a hazard

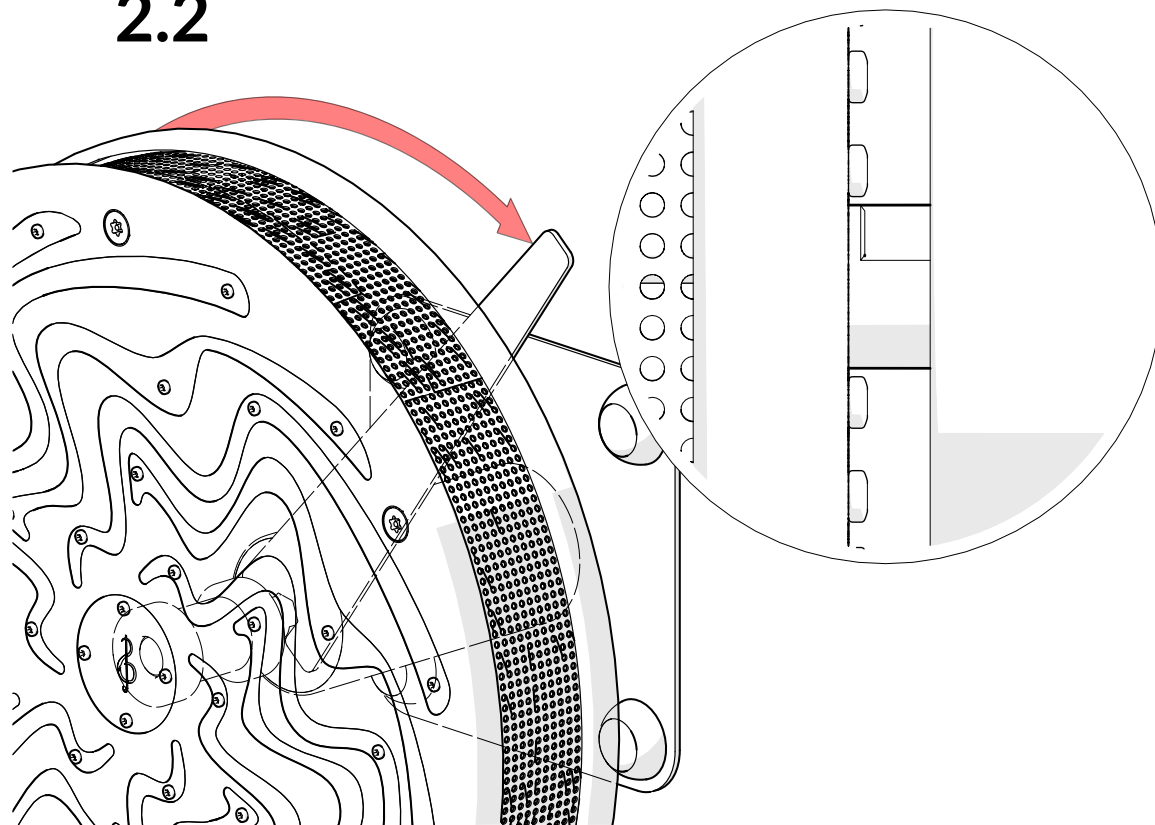
Refer to your local Health & Safety standards

2.

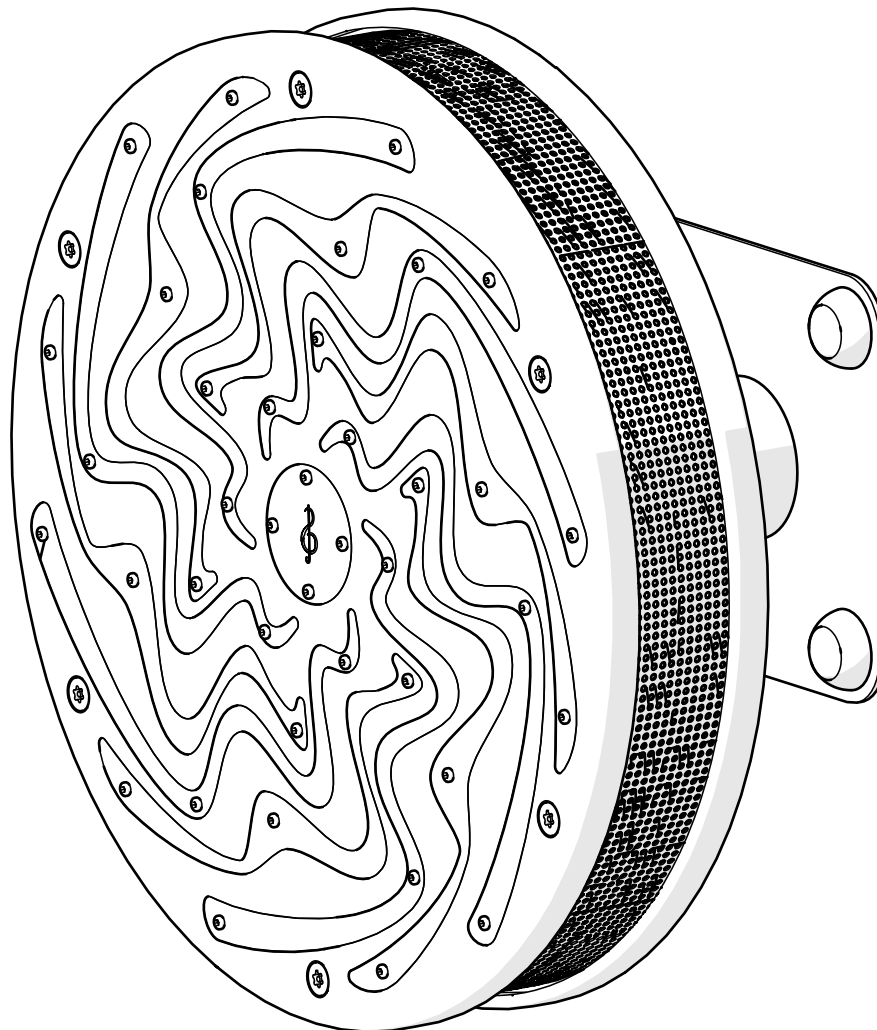
2.1



2.2



17mm



percussionplay.com



info@percussionplay.com



UK
[01730 235 180](tel:+441730235180)

USA & CAN
[+1 \(866\) 882 9170](tel:+18668829170)

EUR & ROW
[+44 1730 235 180](tel:+441730235180)