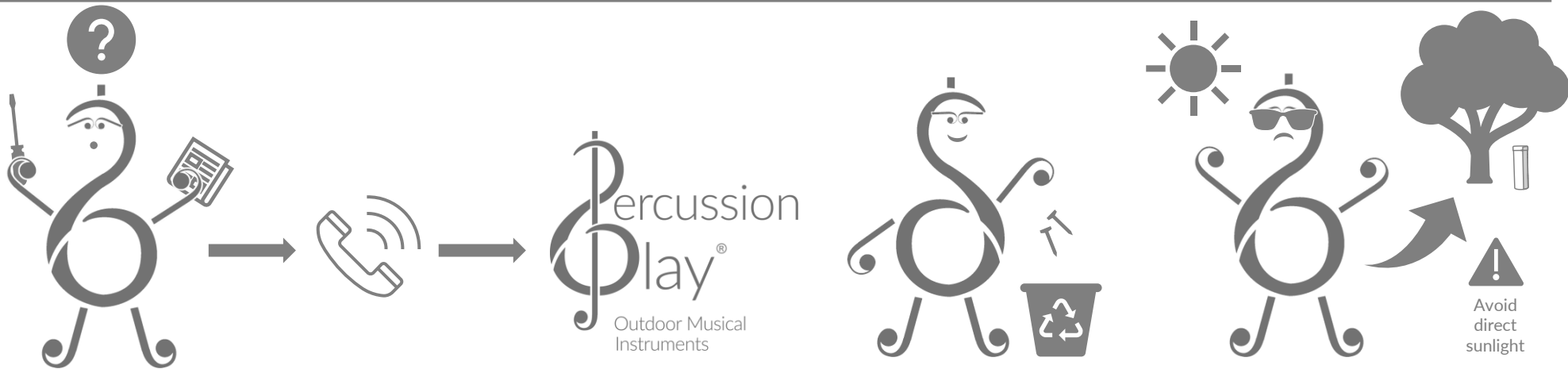
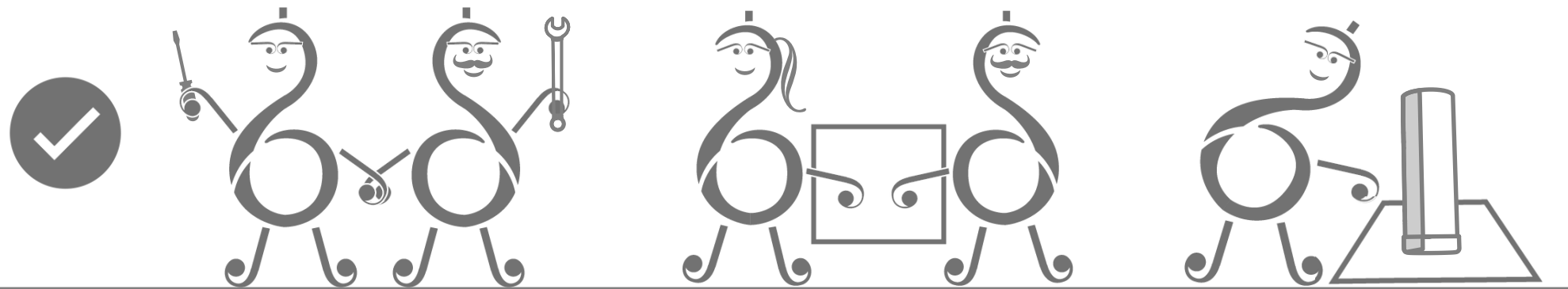
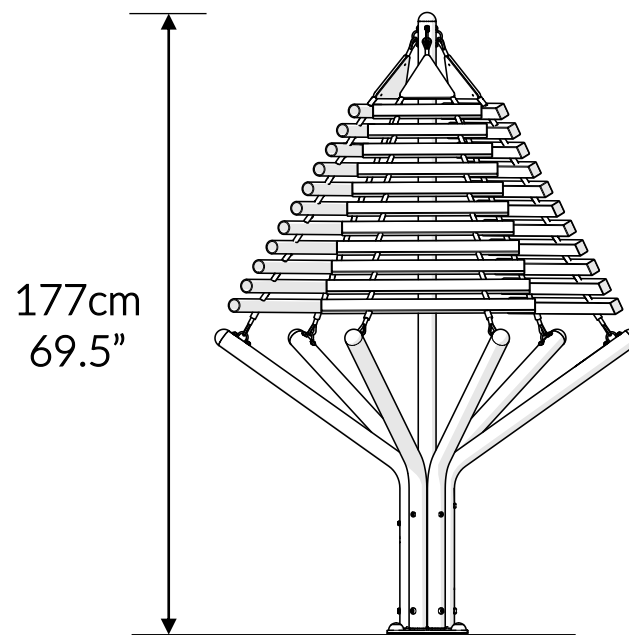
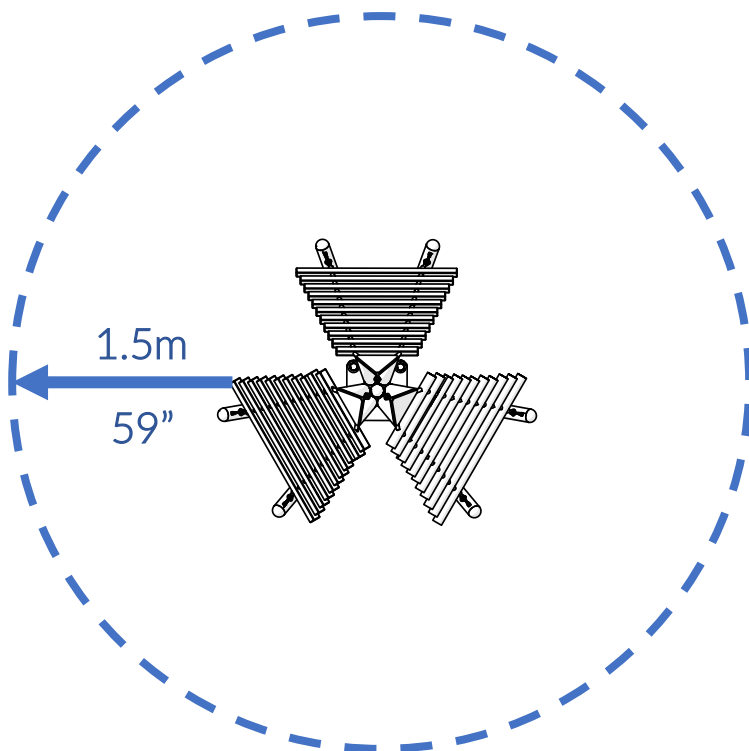


Part Reference	Description
PP-TUTT-SU	Tutti (Surface Fix)

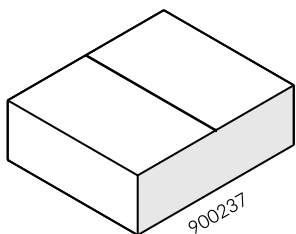




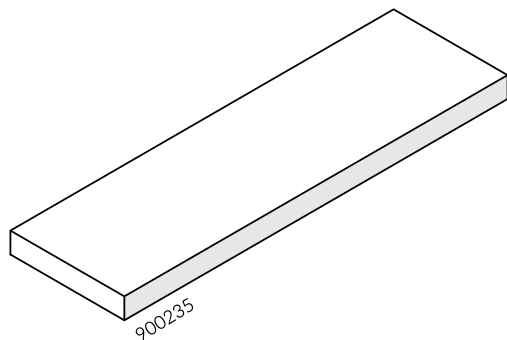


Check Risk Assessment

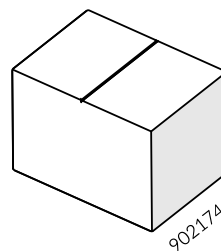
Packages



x1



x1

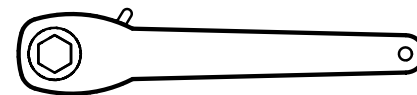


x1

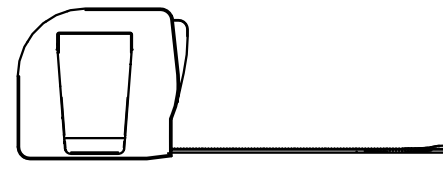
		L	W	H	Weight	Net
x1	900237	84cm / 33"	70cm / 27.5"	28cm / 11"	30kg / 66lbs	
x1	900235	185cm / 73"	55cm / 21.5"	10cm / 4"	30kg / 66lbs	
x1	902174	32cm / 12.5"	23cm / 9"	23cm / 9"	6kg / 13lbs	

Tools required (not supplied)

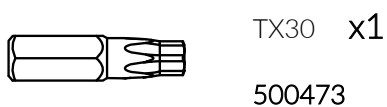
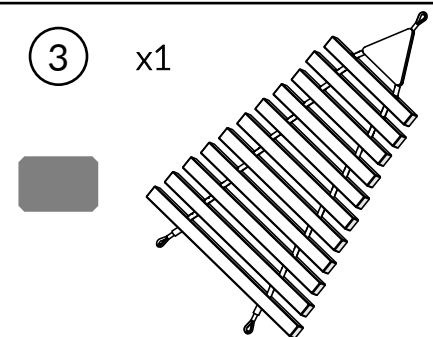
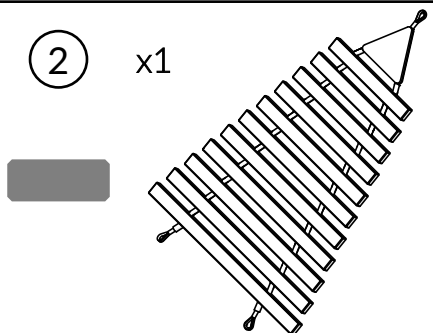
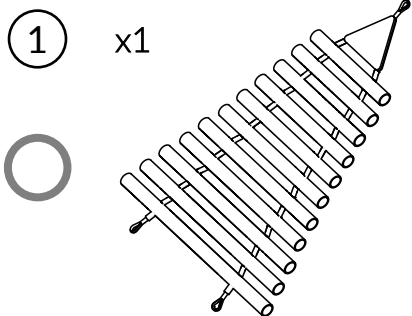
¼" Bit Driver Ratchet



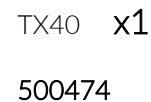
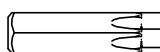
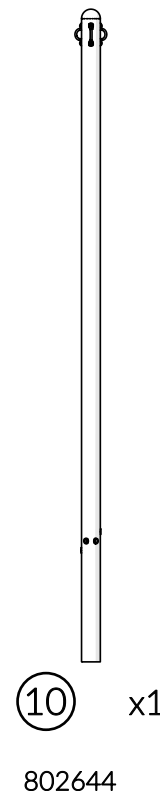
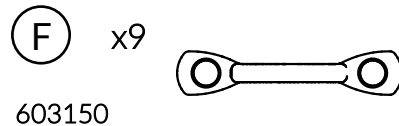
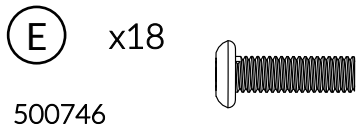
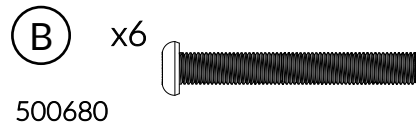
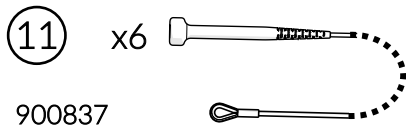
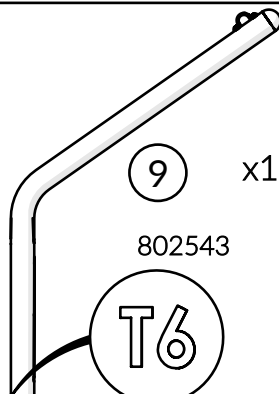
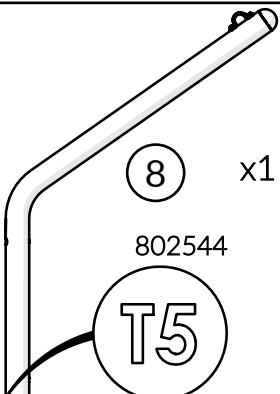
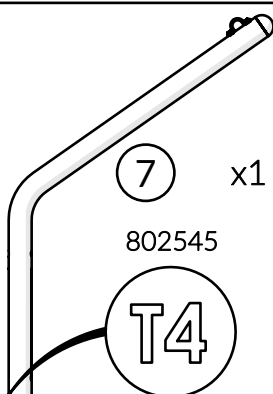
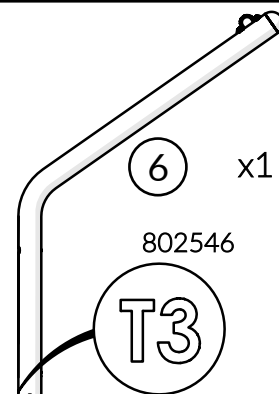
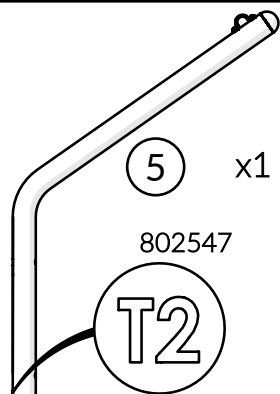
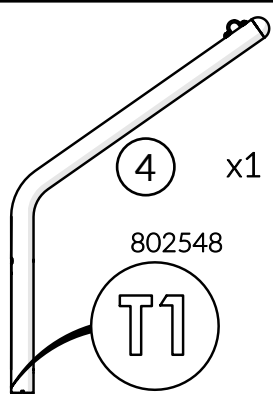
Tape Measure



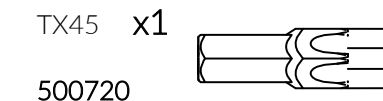
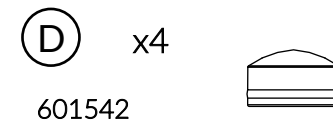
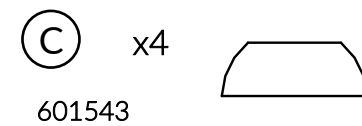
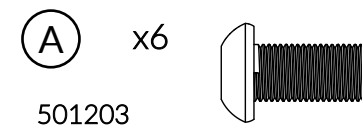
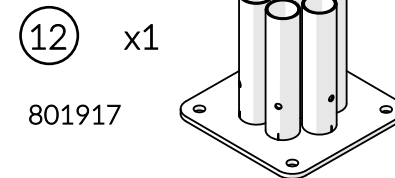
900237



900235



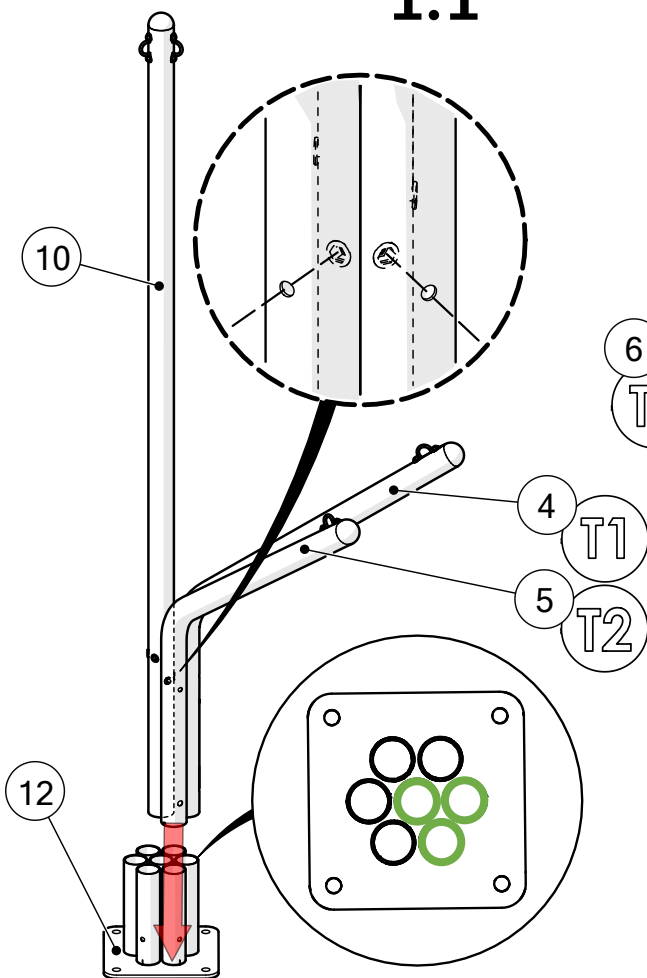
902174



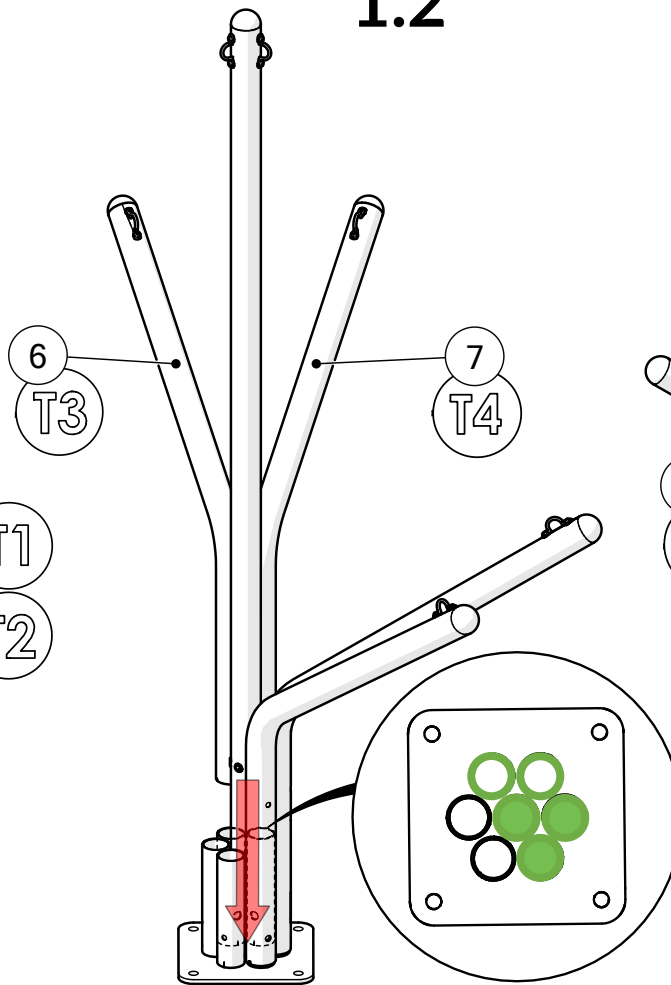
Not to scale

1.

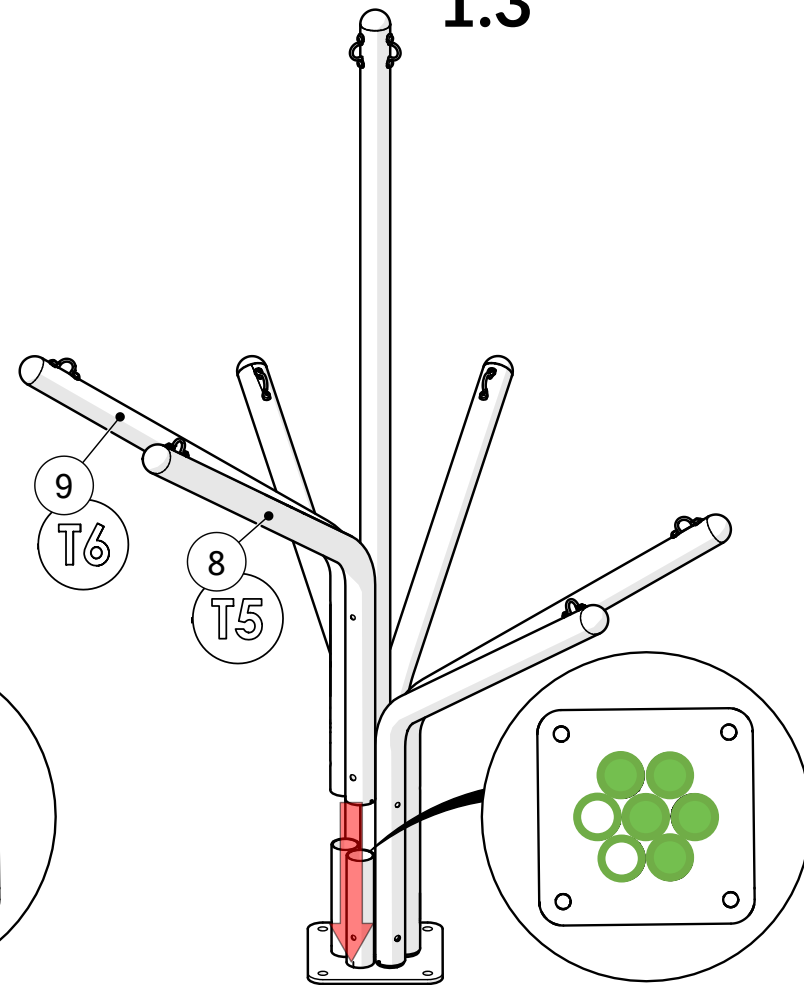
1.1



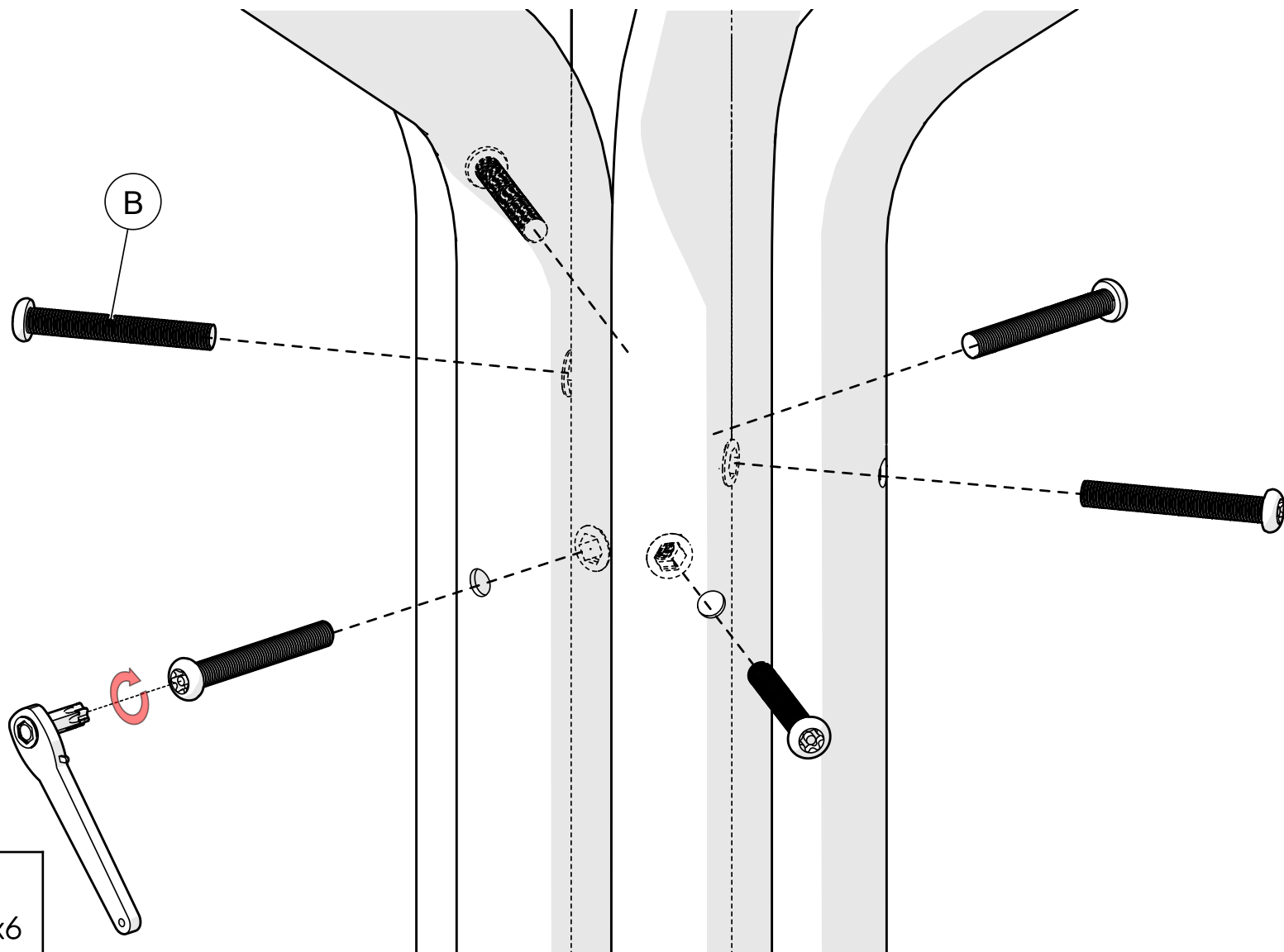
1.2




1.3

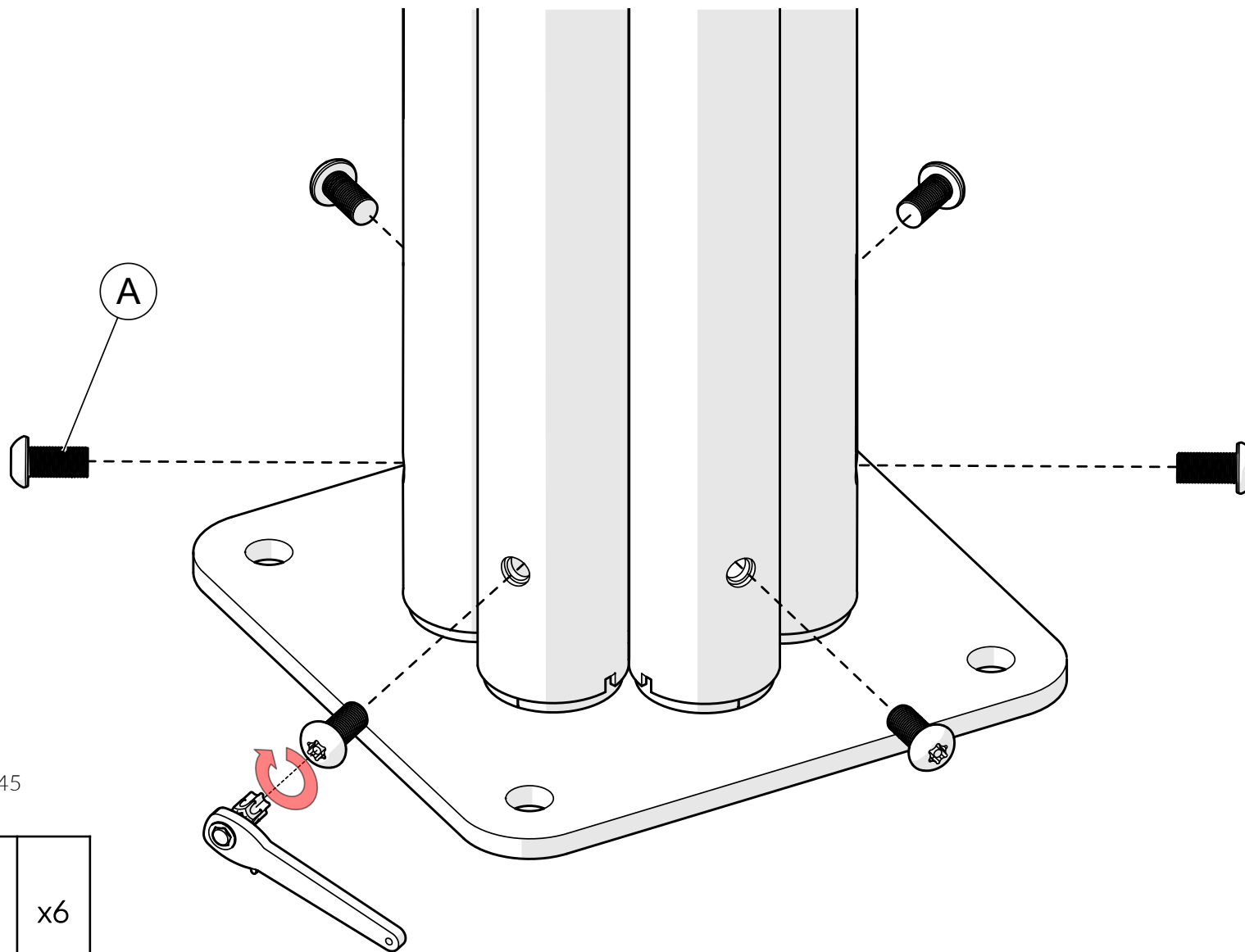


2.



B		x6
---	---	----

3.



4.

Surface fixing should not present a hazard



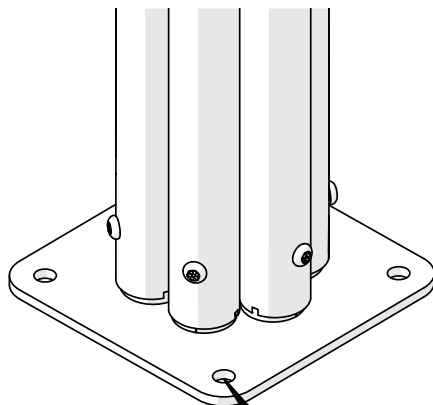
Refer to your local Health & Safety standards

C		x4
D		x4

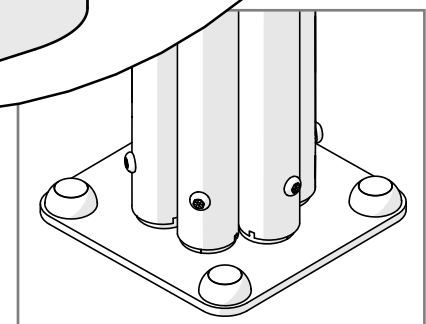
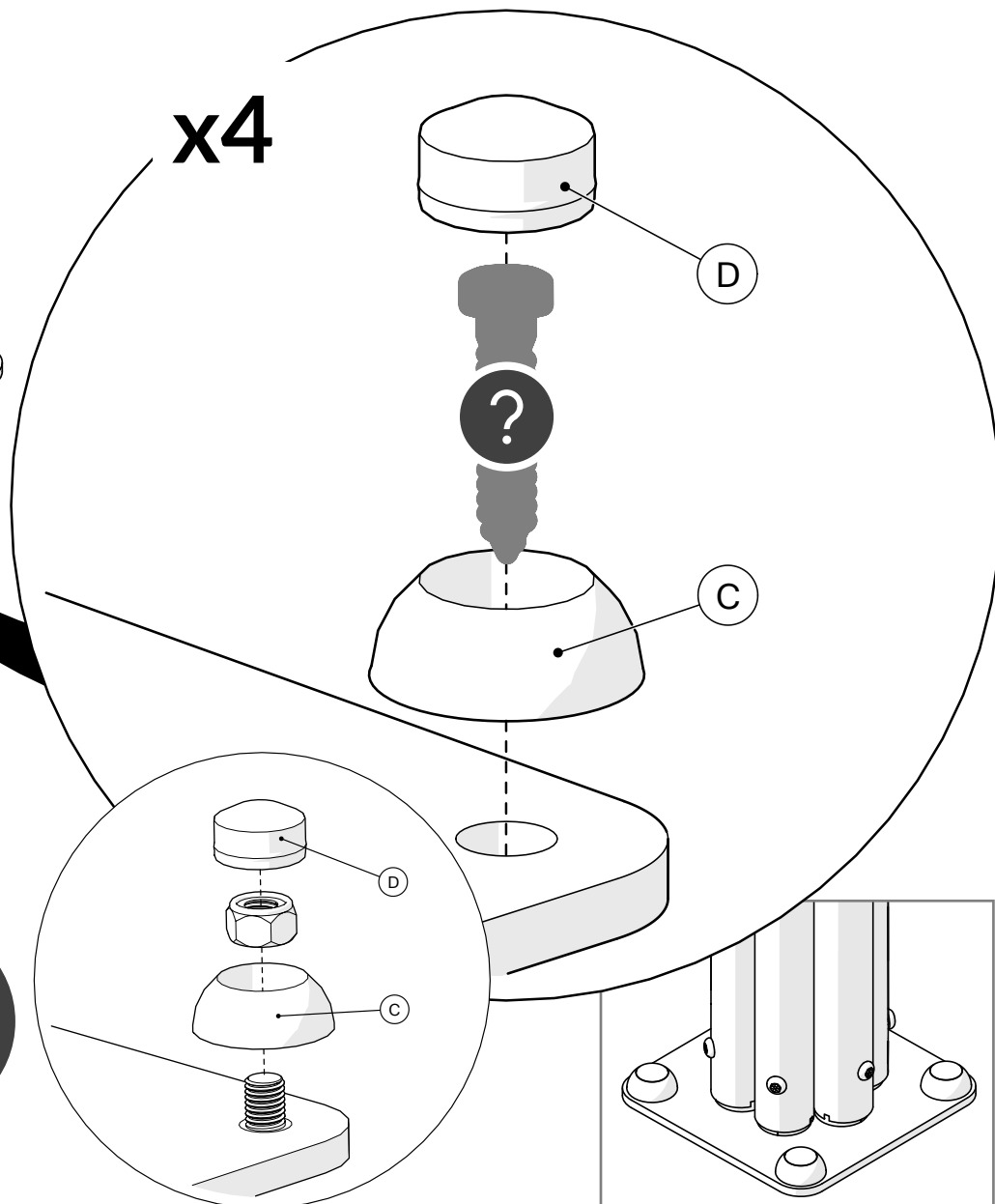
Surface

Example fixing

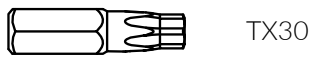
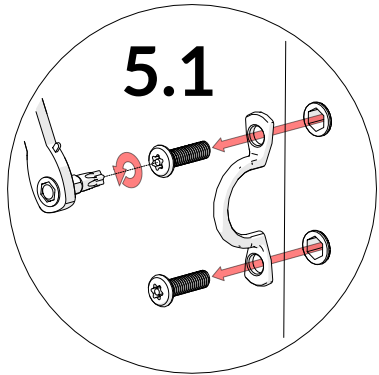
	Wood		x4
	Concrete		x4
	Brick		x4



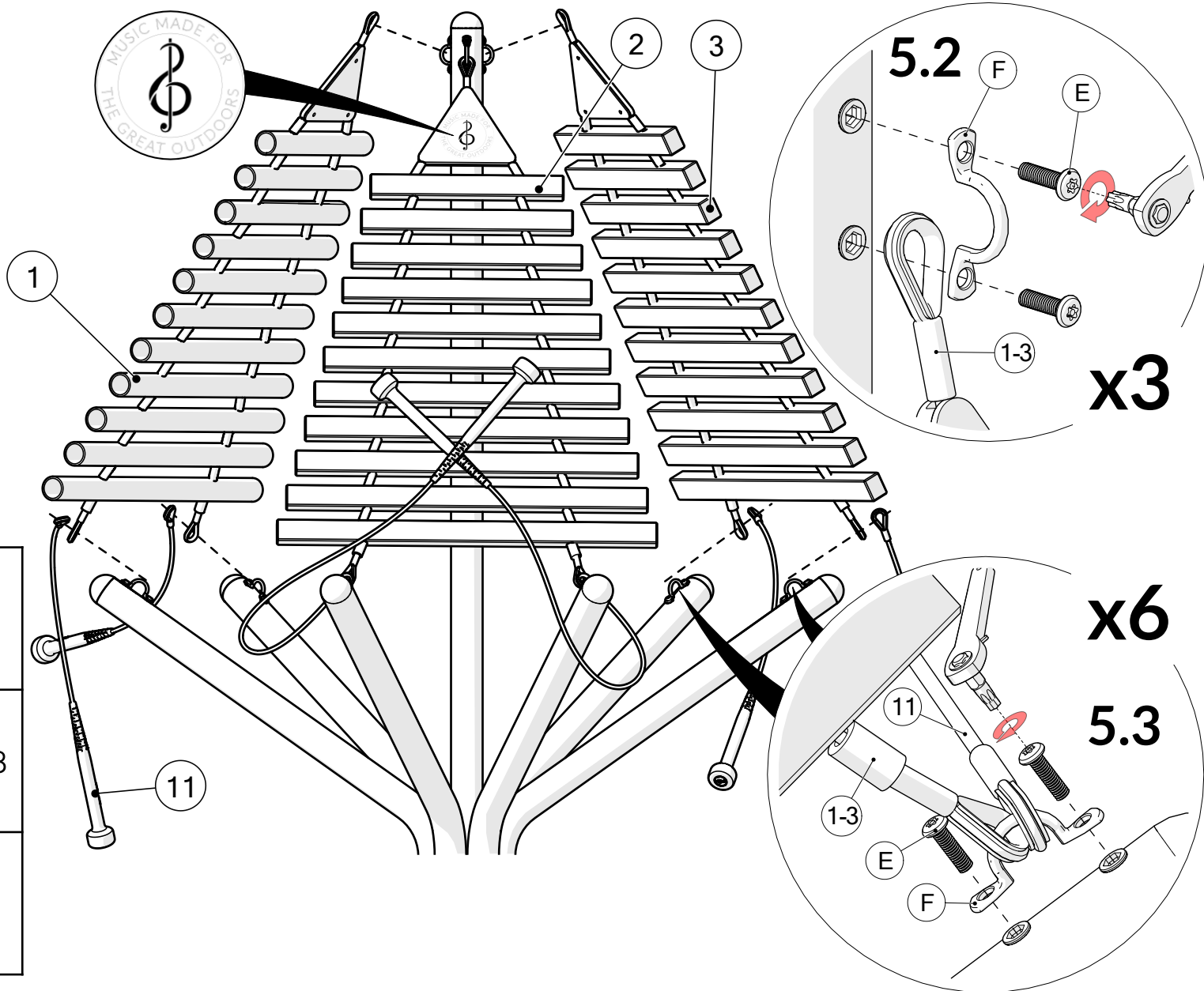
x4

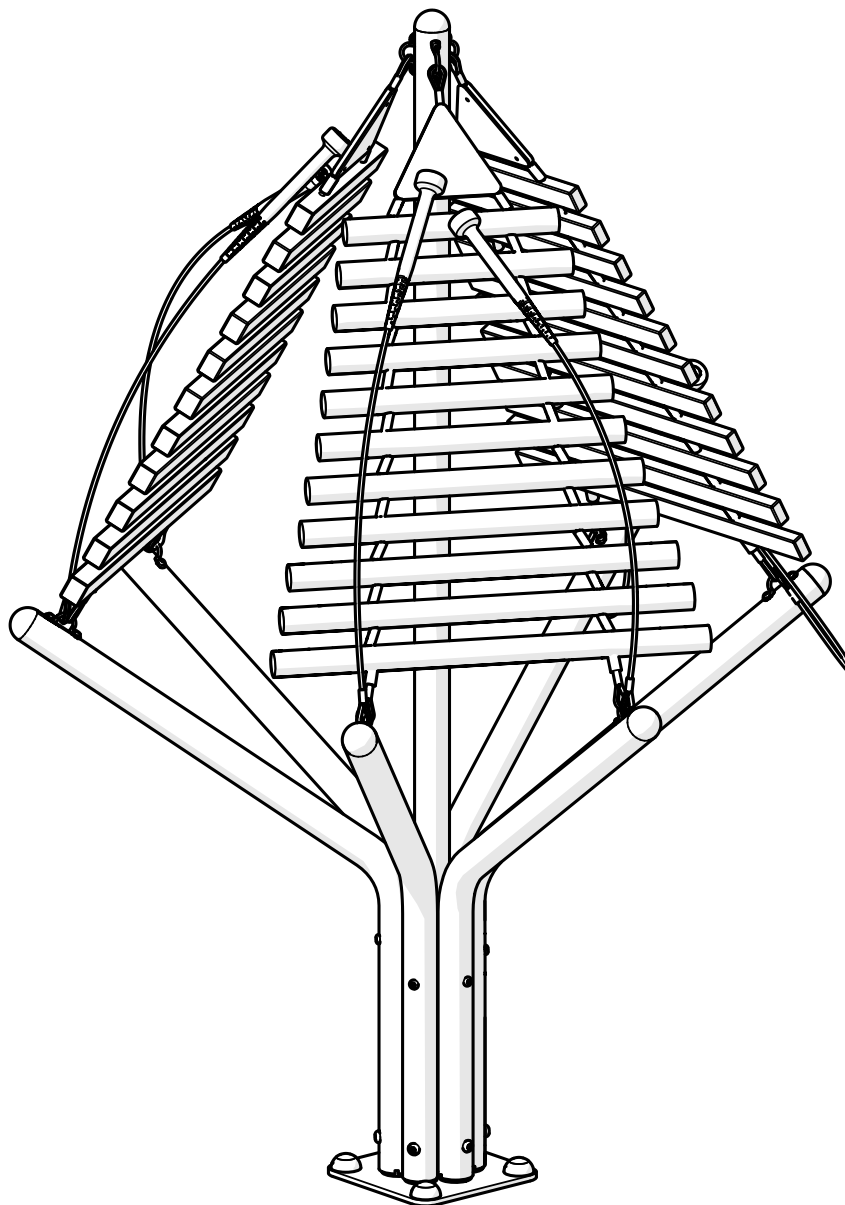


5.



11		x6
E		x18
F		x9





percussionplay.com



info@percussionplay.com



UK
[01730 235 180](tel:01730235180)

USA & CAN
[+1 \(866\) 882 9170](tel:+18668829170)

EUR & ROW
[+44 1730 235 180](tel:+441730235180)