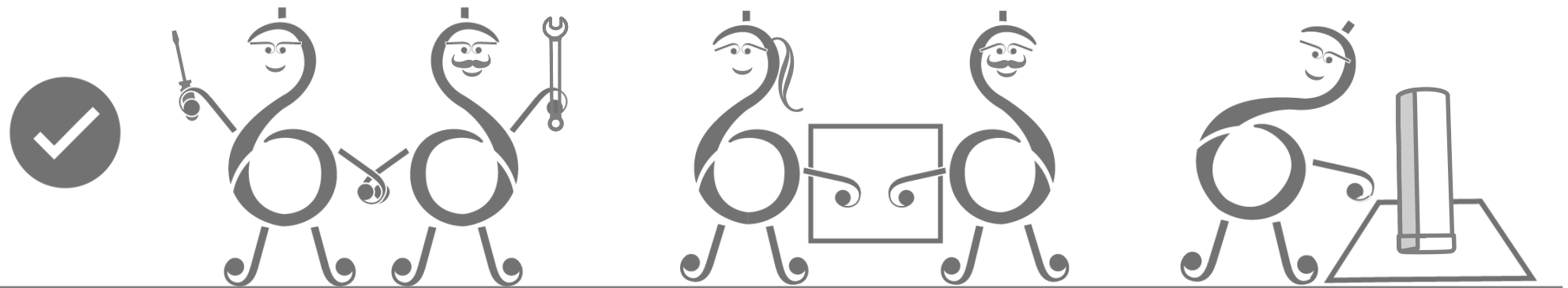
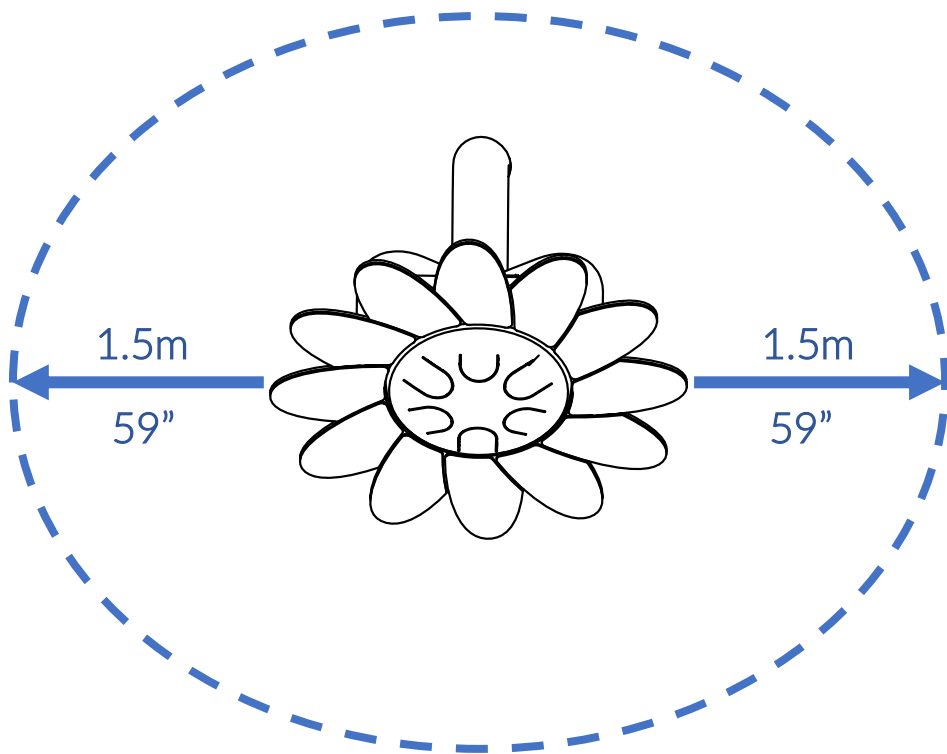


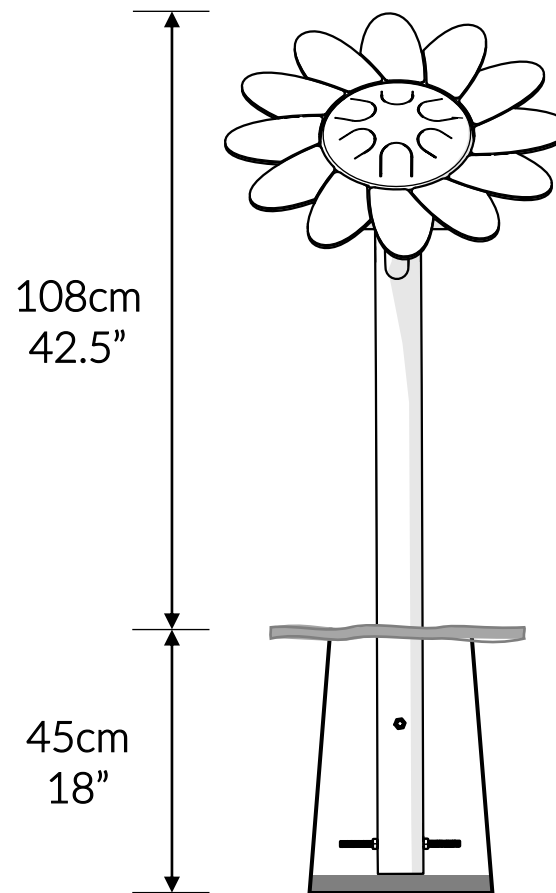
Part Reference	Description
PP-DAIS-A-MI-GR	Daisy Petal Drum (A-Minor) (Ground Fix)
PP-SUNF-C-PY-GR	Sunflower Petal Drum (C-Pygmy) (Ground Fix)
PP-FGMN-C-MA-GR	Forget-Me-Not Petal Drum (C-Major) (Ground Fix)
PP-POPP-A-AK-GR	Poppy Petal Drum (A-Akebono) (Ground Fix)



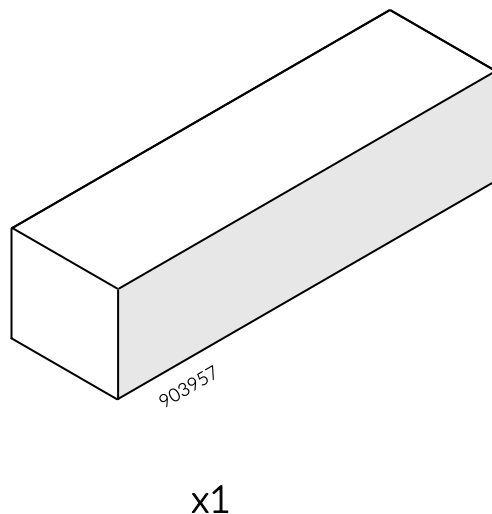
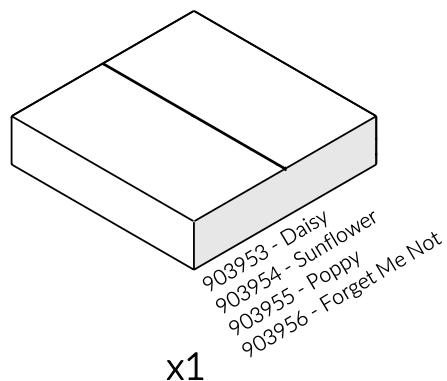




Check Risk Assessment



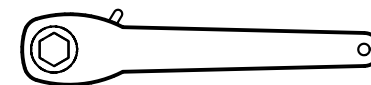
## Packages



		L	W	H	Weight	Net
x1	903953 - Daisy 903954 - Sunflower 903955 - Poppy 903956 - Forget Me Not	60cm / 24"	60cm / 24"	14cm / 5.5"	9kg / 20lbs	
x1	903957	142cm / 56"	40cm / 16"	36cm / 14"	15kg / 33lbs	

## Tools required (not supplied)

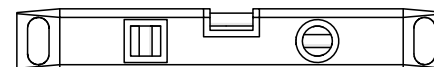
¼" Bit Driver Ratchet



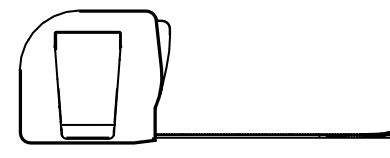
11/16" / 17mm Spanner

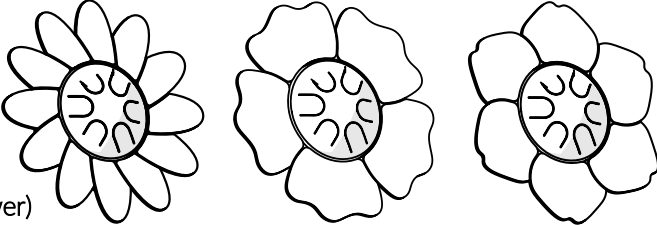
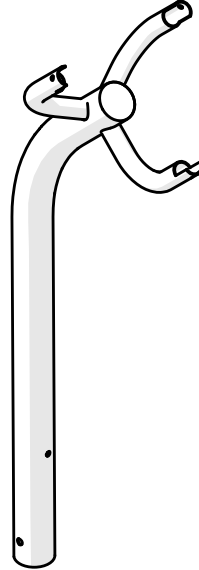
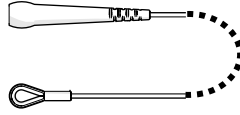

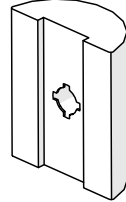
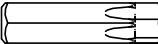
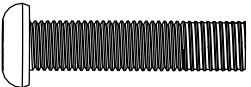

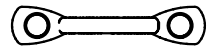
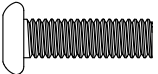

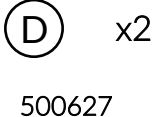


Spirit level



Tape Measure

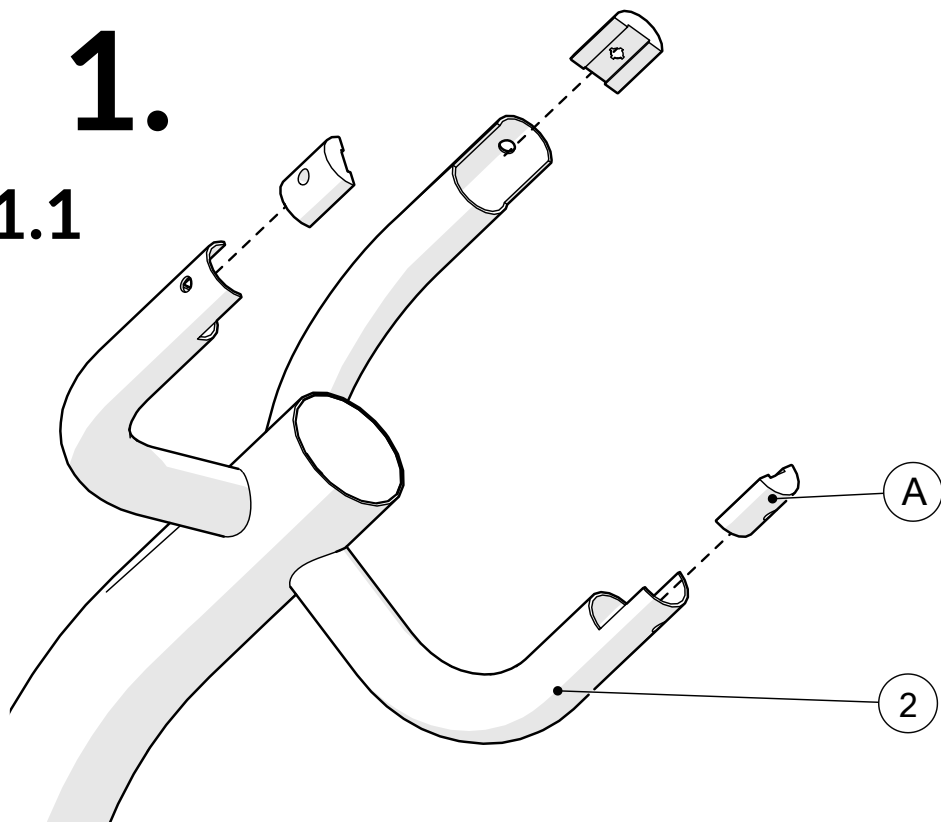


<p>903953 - Daisy 903954 - Sunflower 903955 - Poppy 903956 - Forget Me Not</p>		<p>903957</p>	
<p>① x1</p> <p>803862 (Poppy) 803863 (Daisy) 803864 (FMN) 803865 (Sunflower)</p> 			
<p>③ x2</p> <p>903952</p> 		<p>TX30 x1</p> <p>500473</p> 	
<p>② x3</p> <p>603898</p> 		<p>TX40 x1</p> <p>500474</p> 	
<p>④ x3</p> <p>504629</p> 		<p>② x1</p> <p>804756</p> 	
<p>⑤ x2</p> <p>603150</p> 		<p>③ x4</p> <p>500746</p> 	
		<p>⑥ x4</p> <p>500457</p> 	
		<p>⑦ x2</p> <p>500627</p> 	

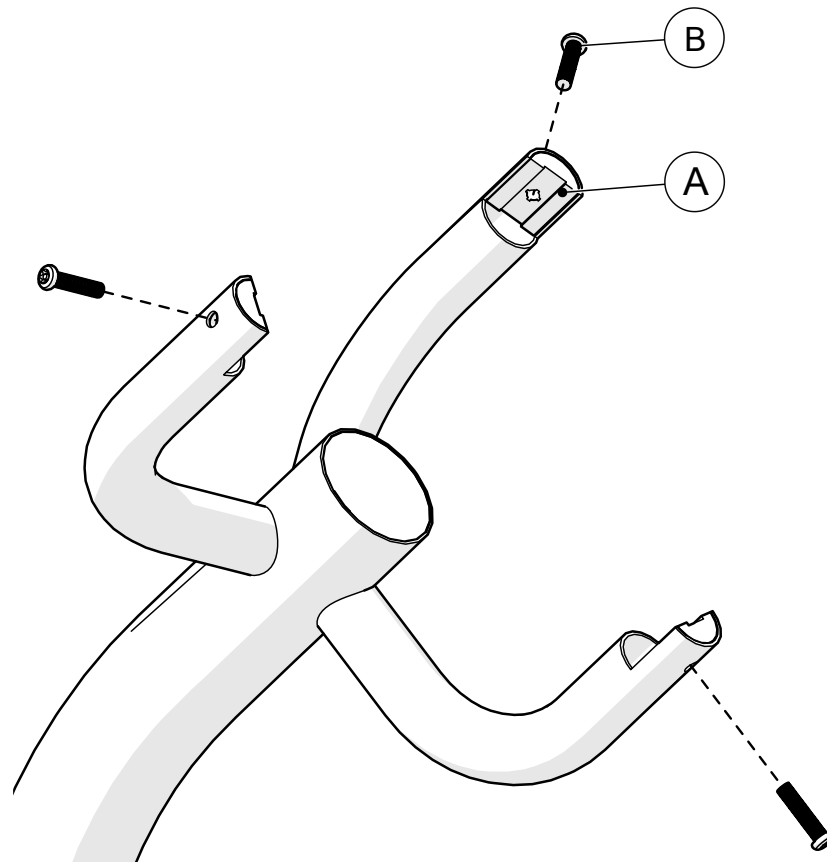
Not to scale

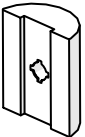
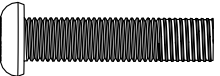
**1.**

**1.1**

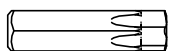
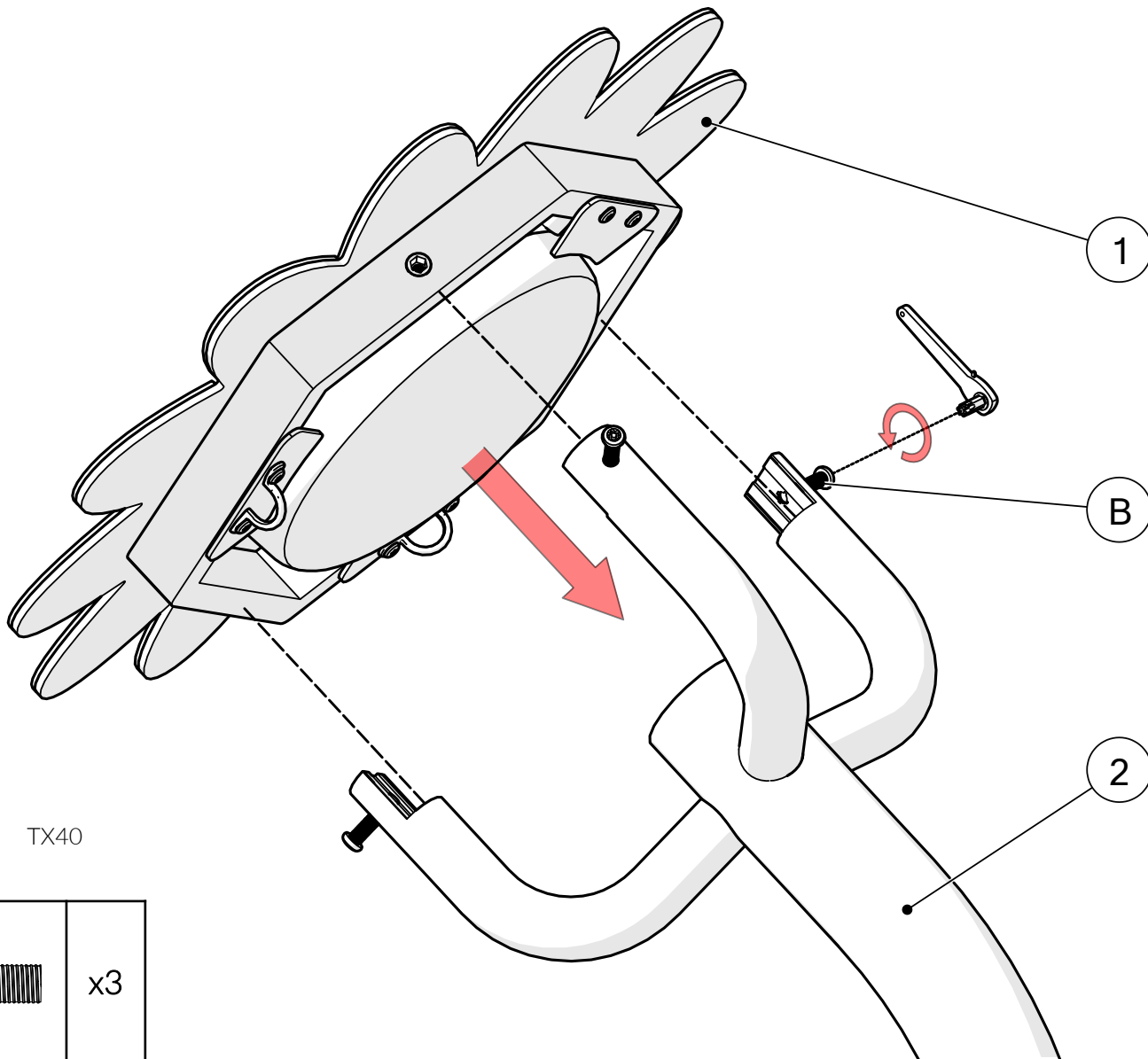


**1.2**

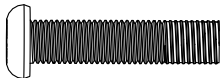


A		x3
B		x3

# 2.

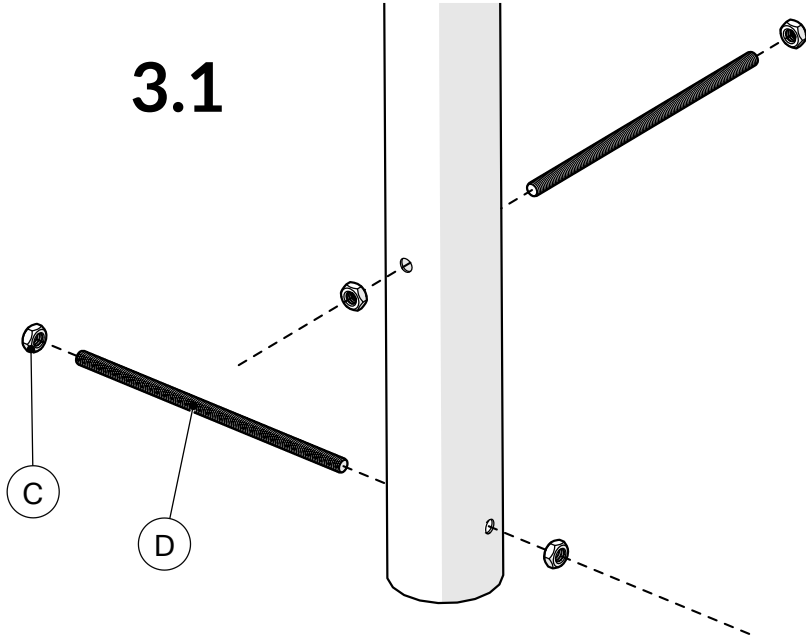


TX40

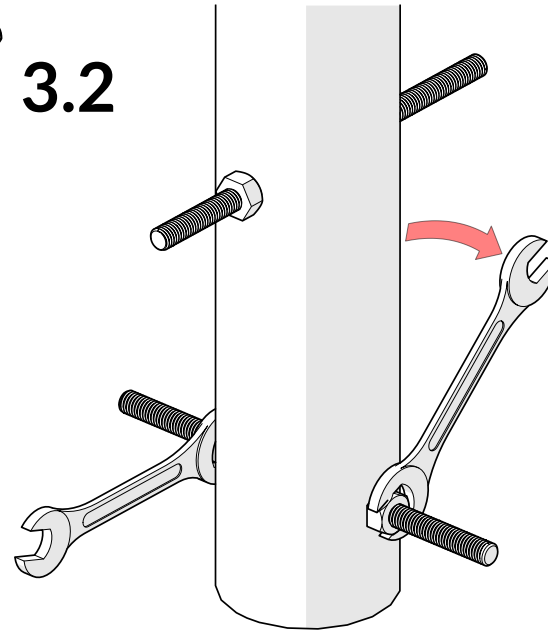
B		x3
---	---	----

# 3.

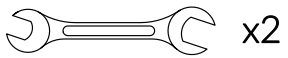
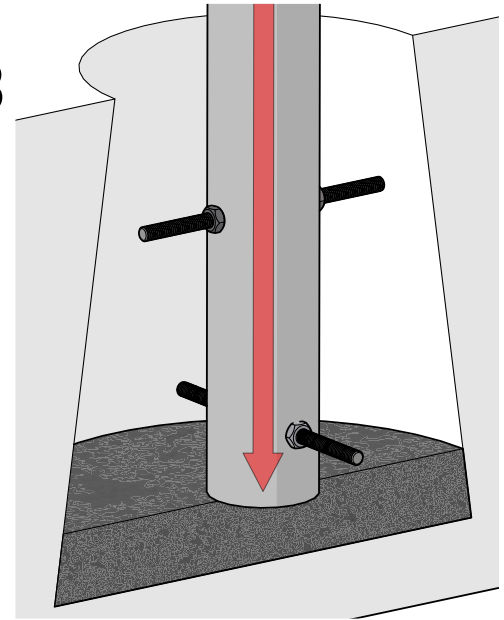
## 3.1



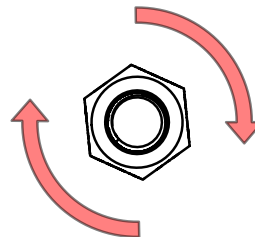
## 3.2



## 3.3



C		x4
D		x2



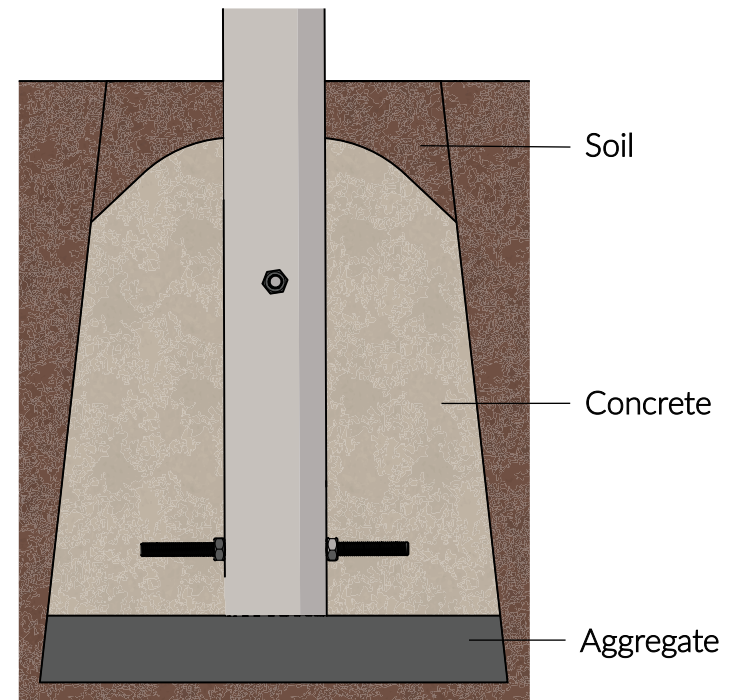
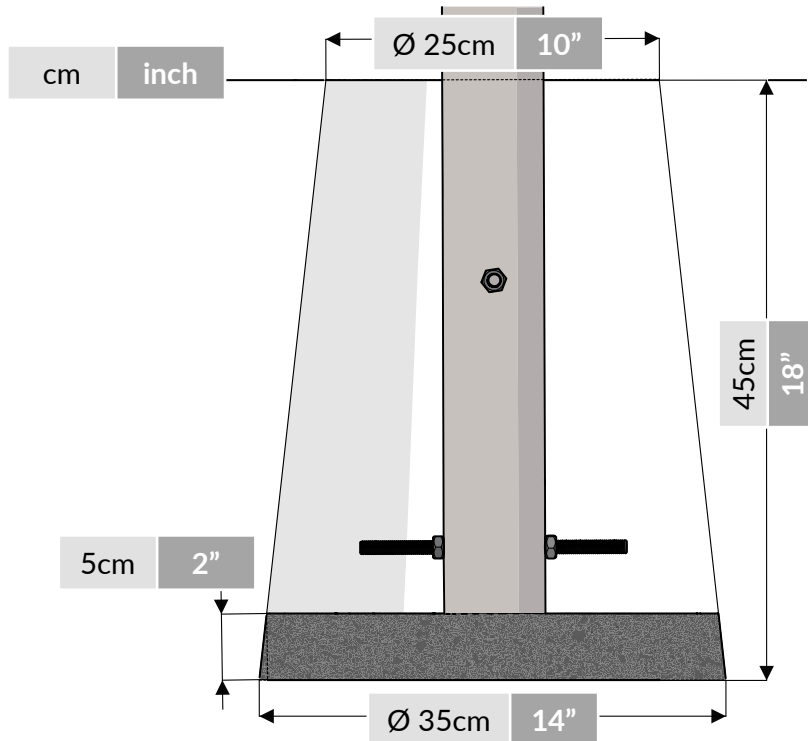
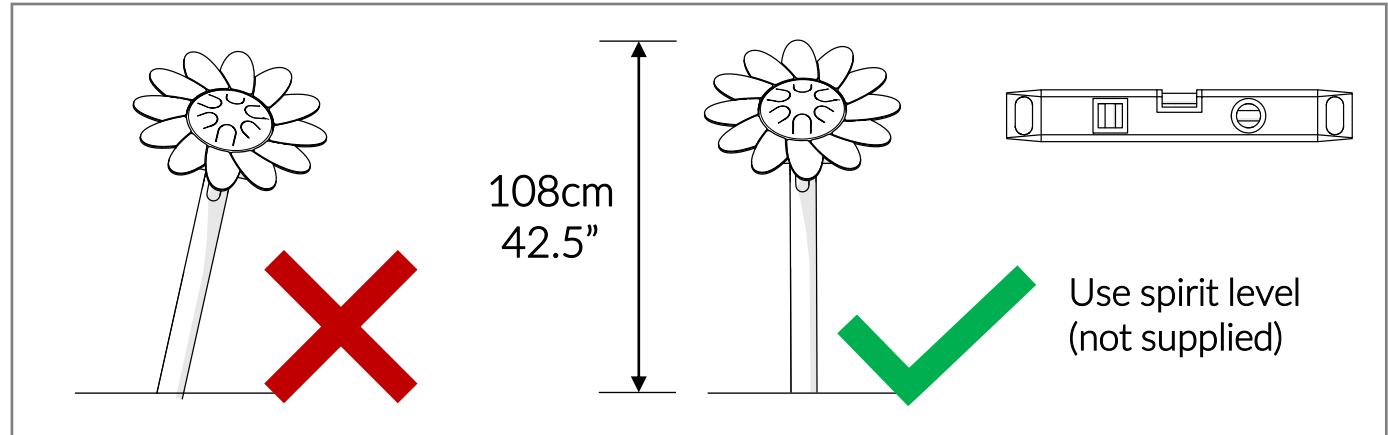


4.

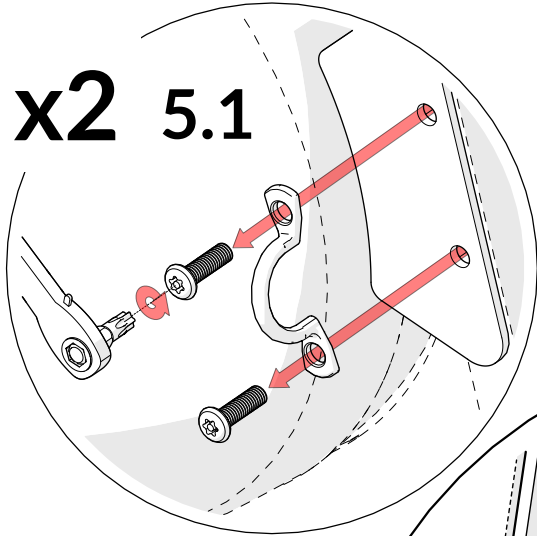


Foundations should not present a hazard

Refer to your local Health & Safety standards



**5. x2 5.1**

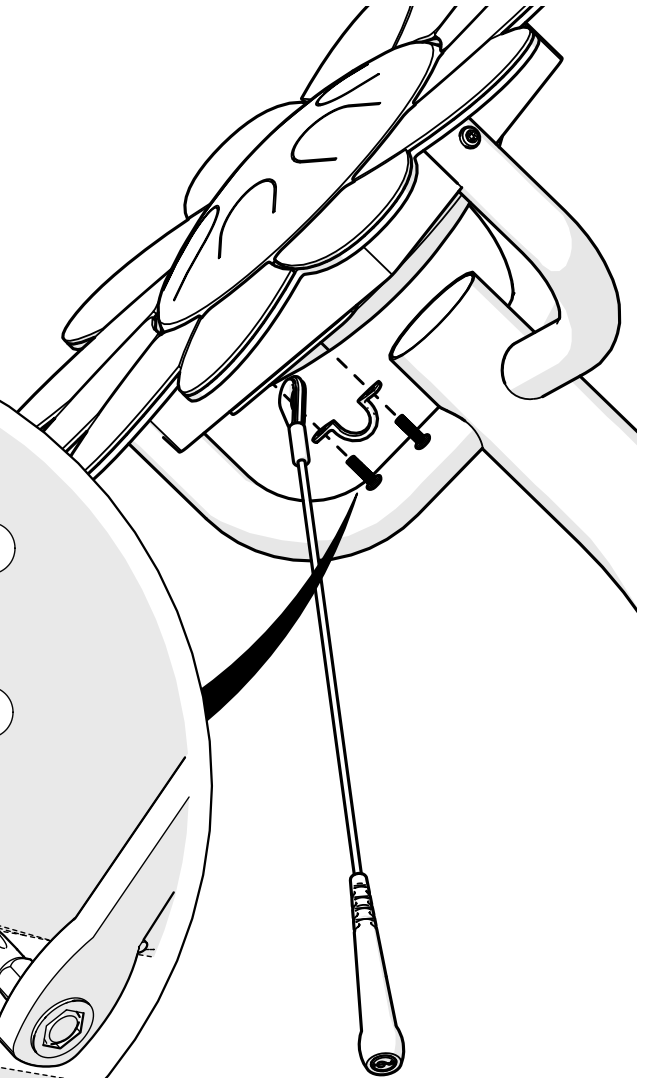
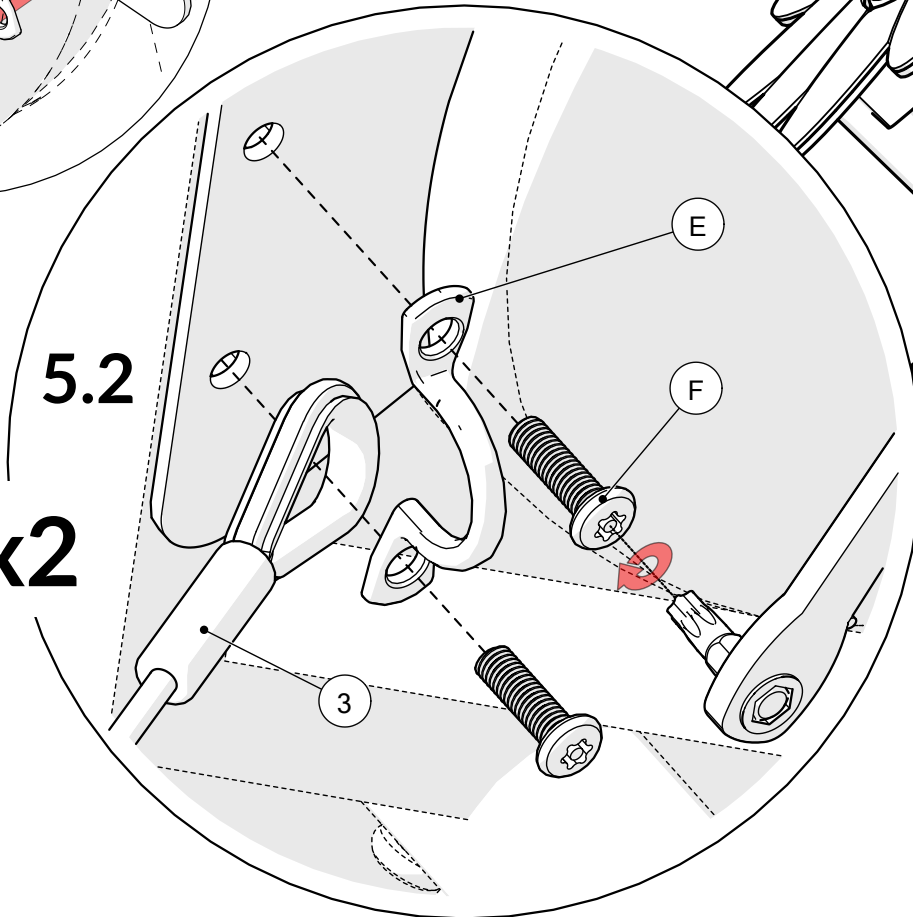


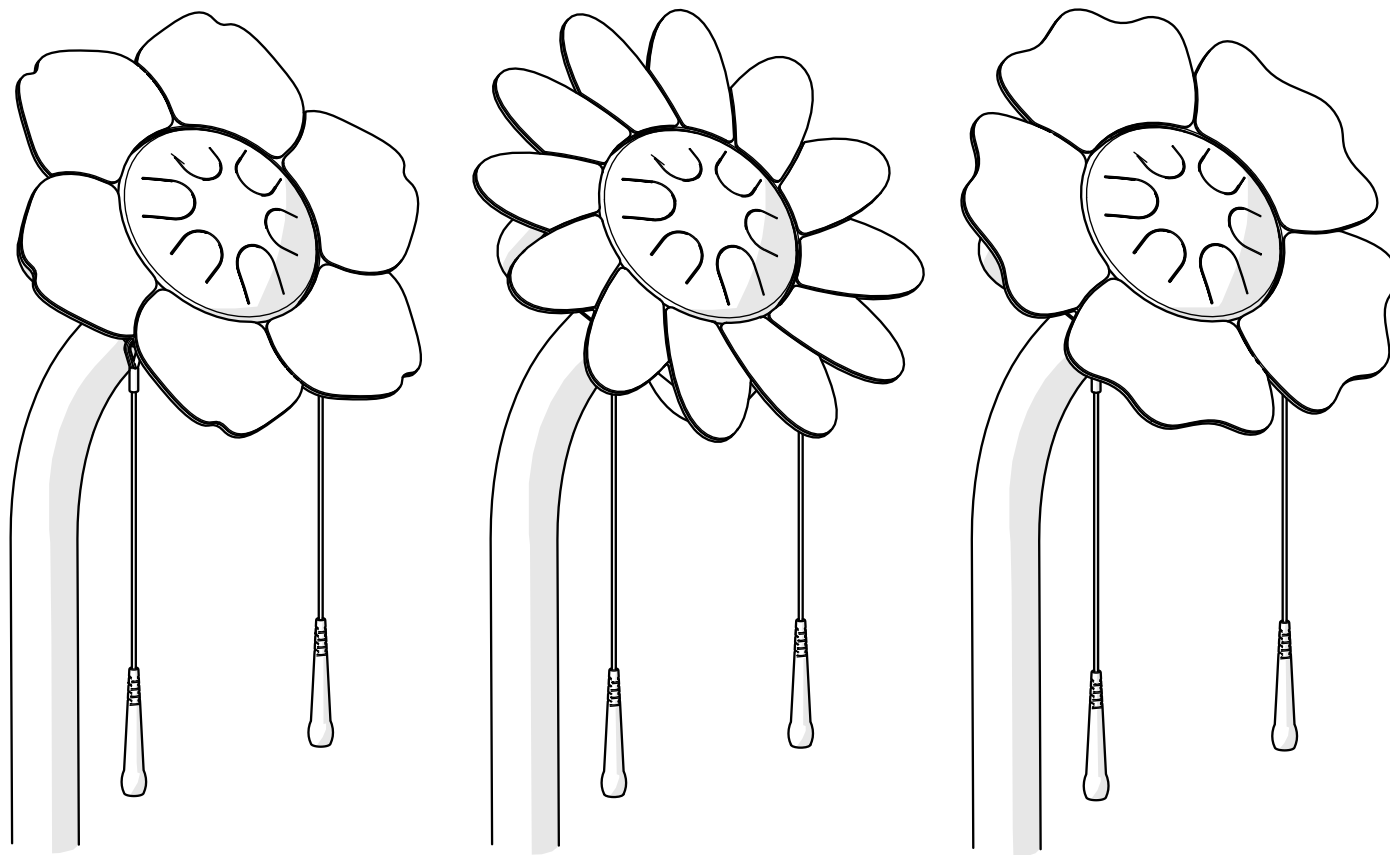
TX30

3		x2
E		x2
F		x4

**x2**

**5.2**





[percussionplay.com](http://percussionplay.com)



[info@percussionplay.com](mailto:info@percussionplay.com)



UK  
[01730 235 180](tel:+441730235180)

USA & CAN  
[+1 \(866\) 882 9170](tel:+18668829170)

EUR & ROW  
[+44 1730 235 180](tel:+441730235180)

Product examples and layout for illustration purposes only  
Sold individually