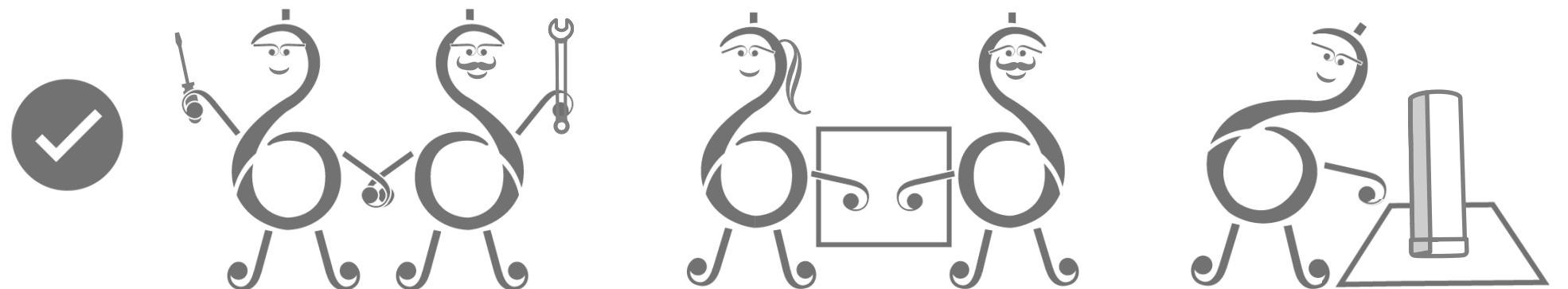
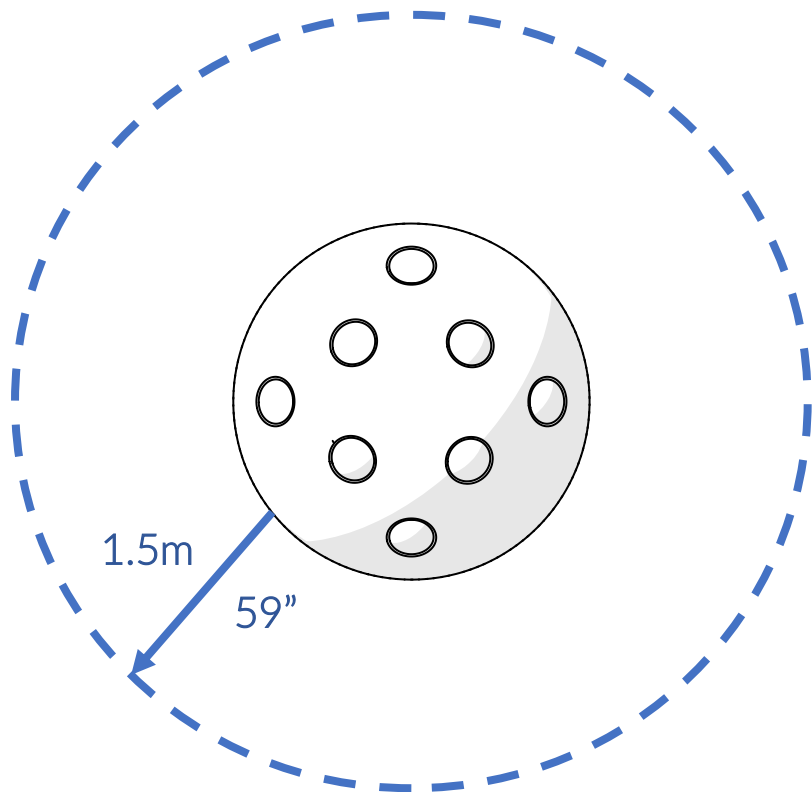


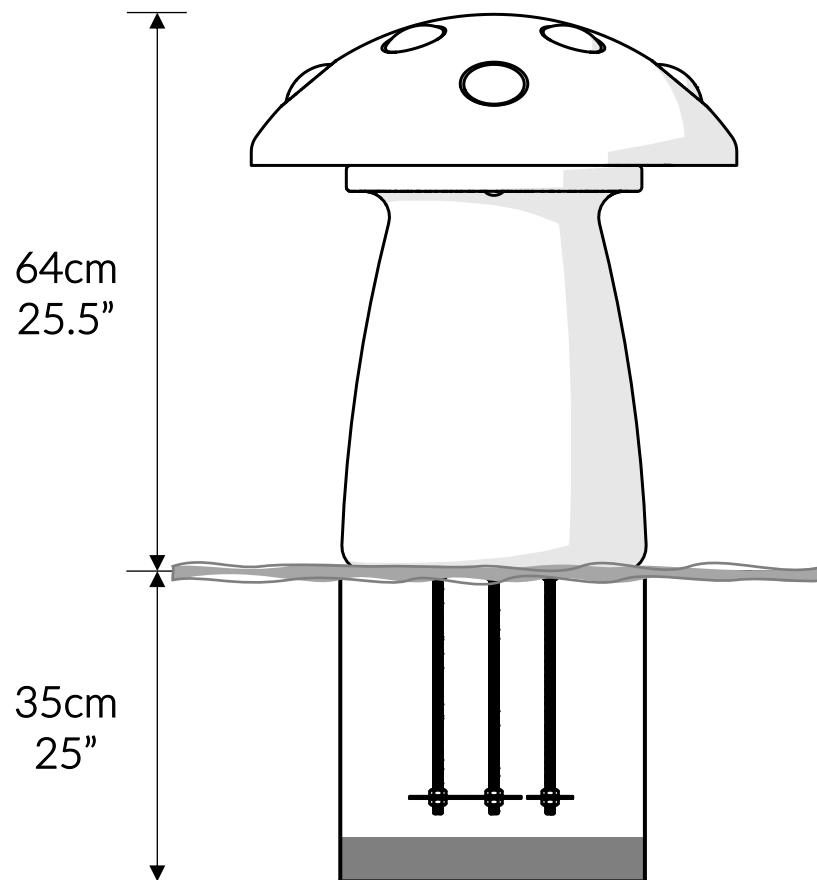
Part Reference	Description
PP-TOAD-GF	Toadstool (Ground Fix)



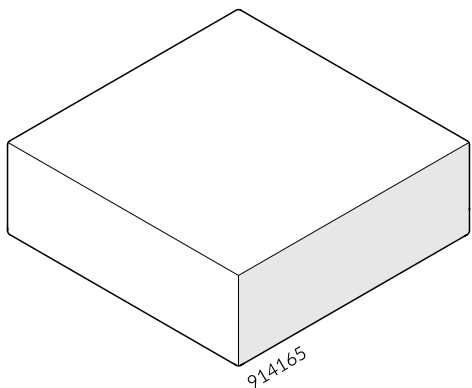




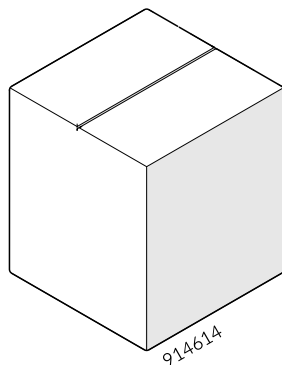
Check Risk Assessment



### Packages



x1



x1

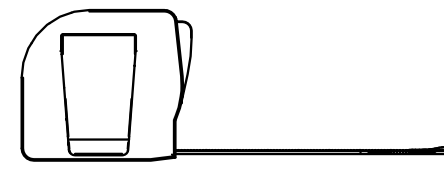
		L	W	H	Weight	Net
x1	914165	75cm / 29.5"	75cm / 29.5"	25cm / 10"	8kg / 17.5lbs	
x1	914614	50cm / 19.5"	40cm / 15.5"	40cm / 15.5"	12kg / 26.5lbs	

### Tools required (not supplied)

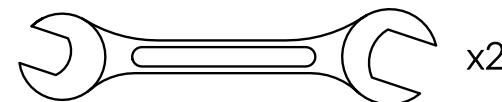
¼" Bit Driver Ratchet



Tape Measure

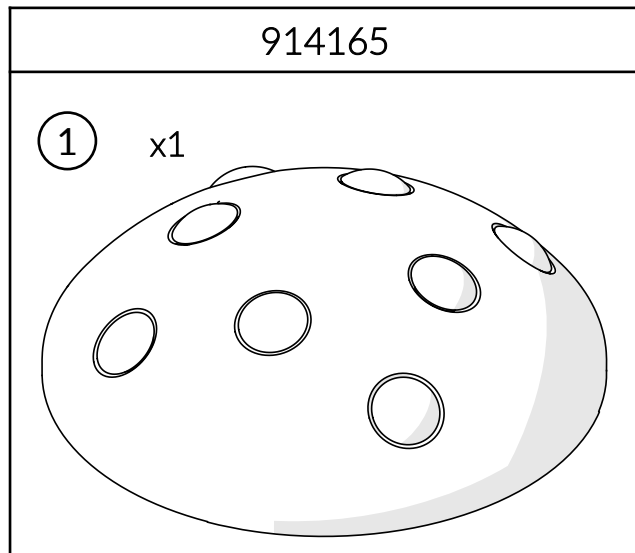


48/64" / 19mm Spanner



x2


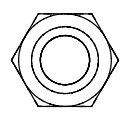
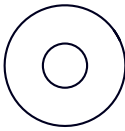



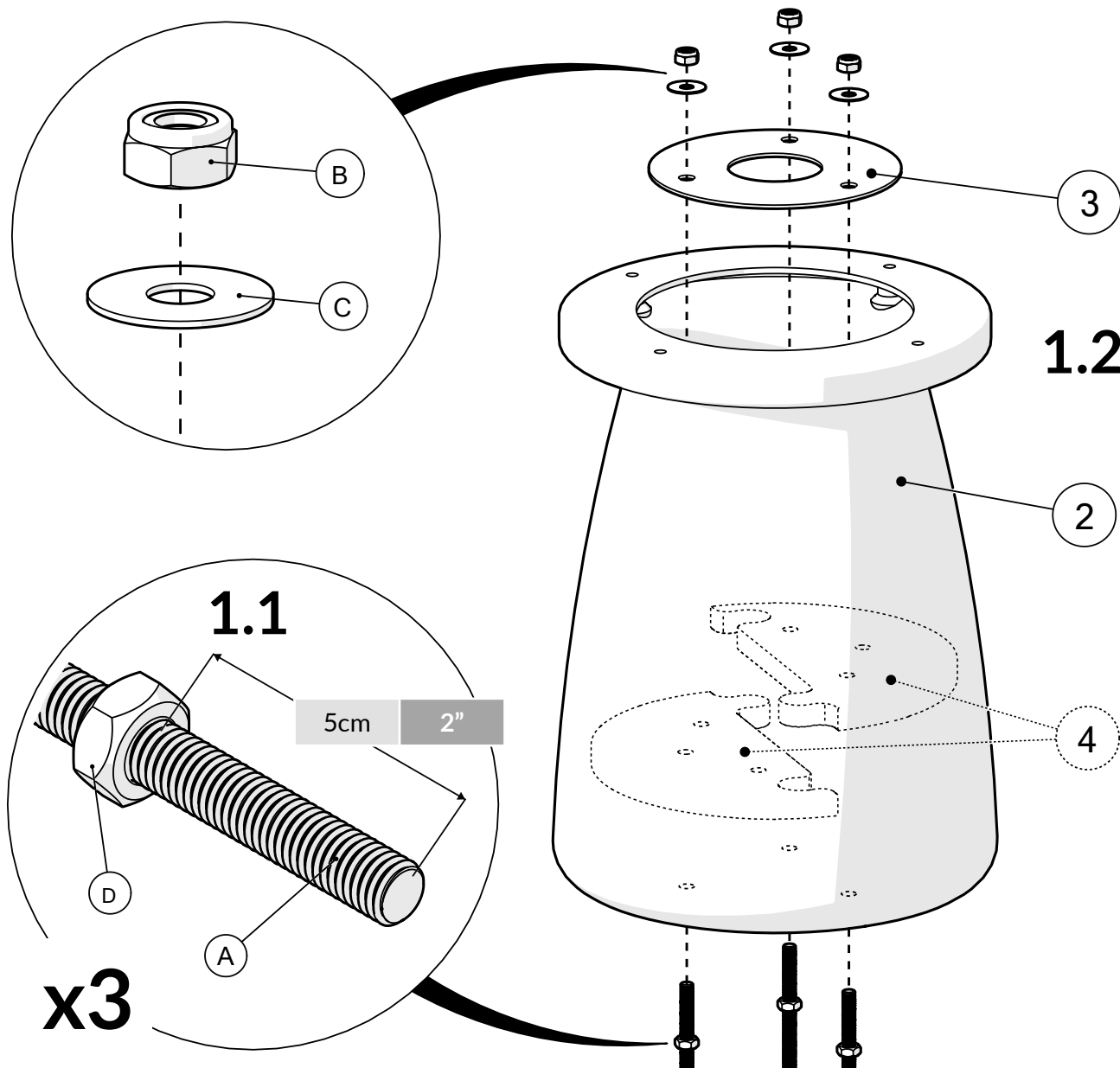


914614		
<p>Ⓐ x3 505465</p>	<p>Ⓑ x3 500612</p>	<p>② x1 614886</p>
	<p>Ⓒ x3 500444</p>	
	<p>Ⓓ x9 500457</p>	<p>③ x1 614883</p>
	<p>Ⓔ x3 500685</p>	<p>④ x2 615272</p>
	<p>Ⓕ x4 501588</p>	<p>TX40 x1 500474</p>

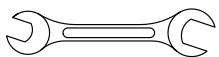
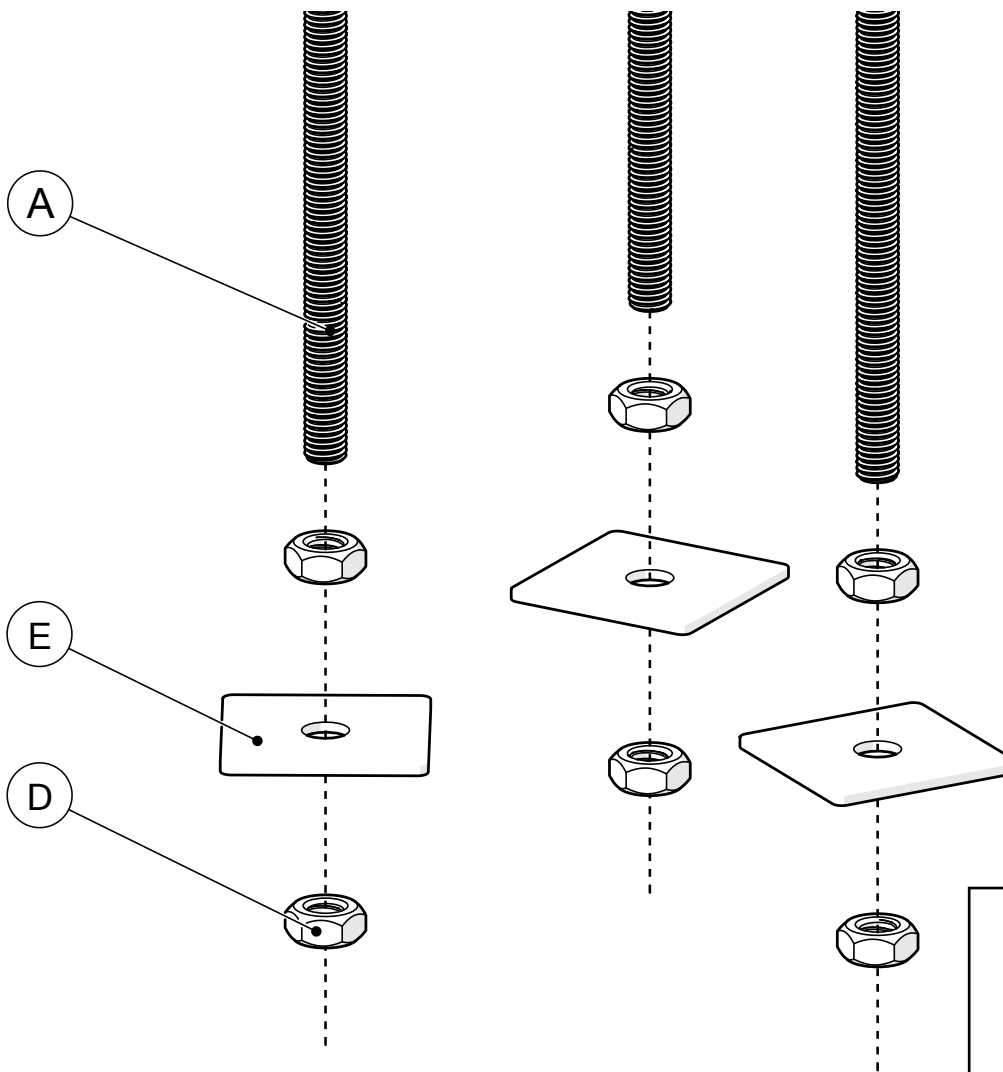
**1.**

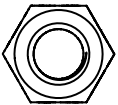
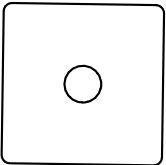


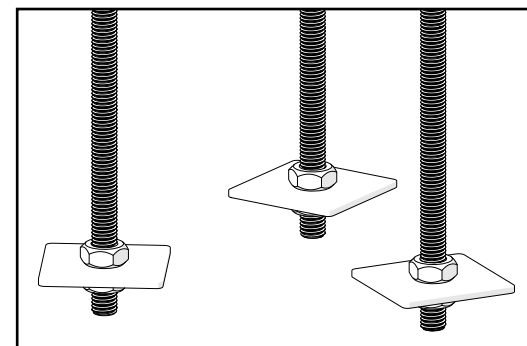
A		x3
B		x3
C		x3
D		x3



# 2.



D		x6
E		x3

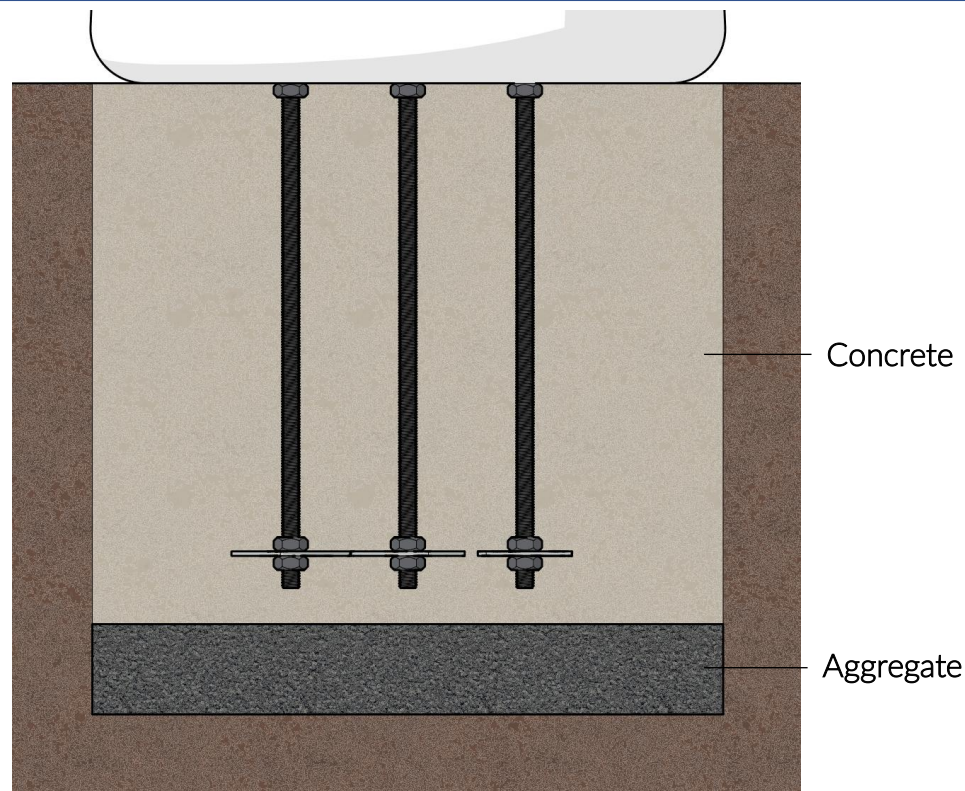
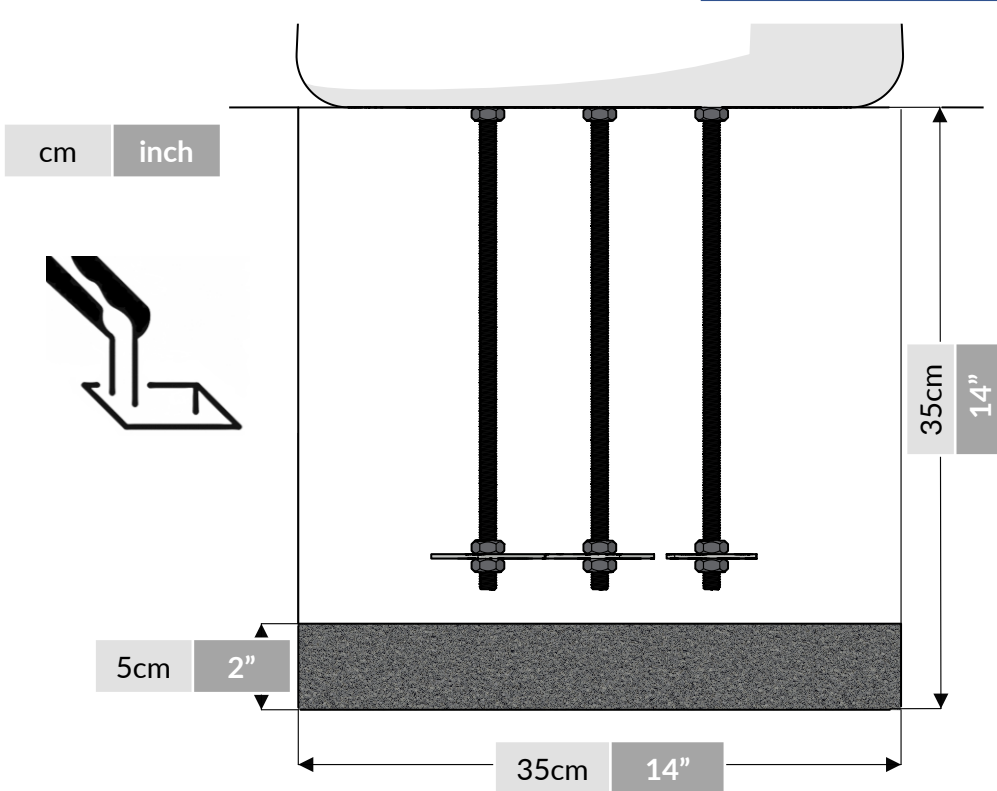
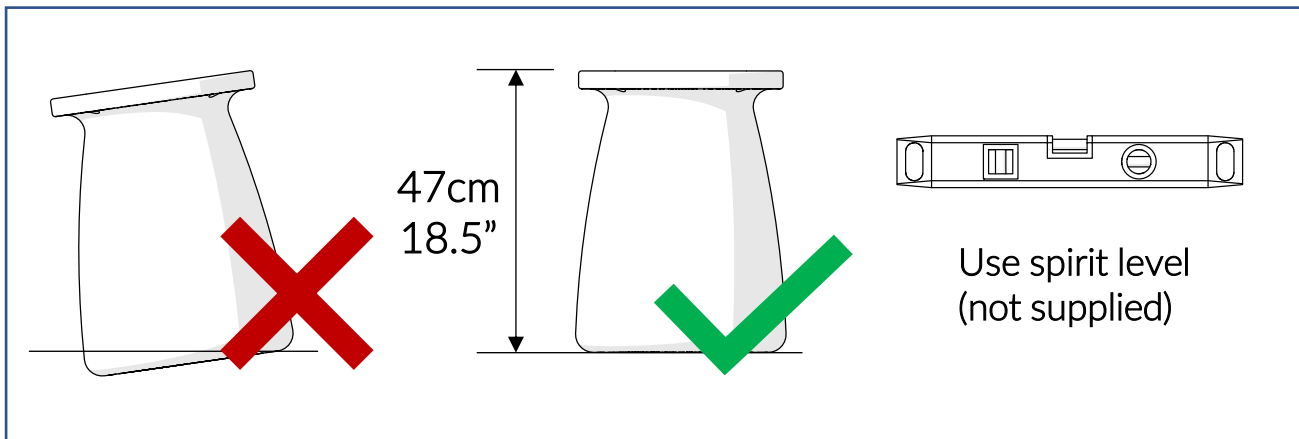


# 3.

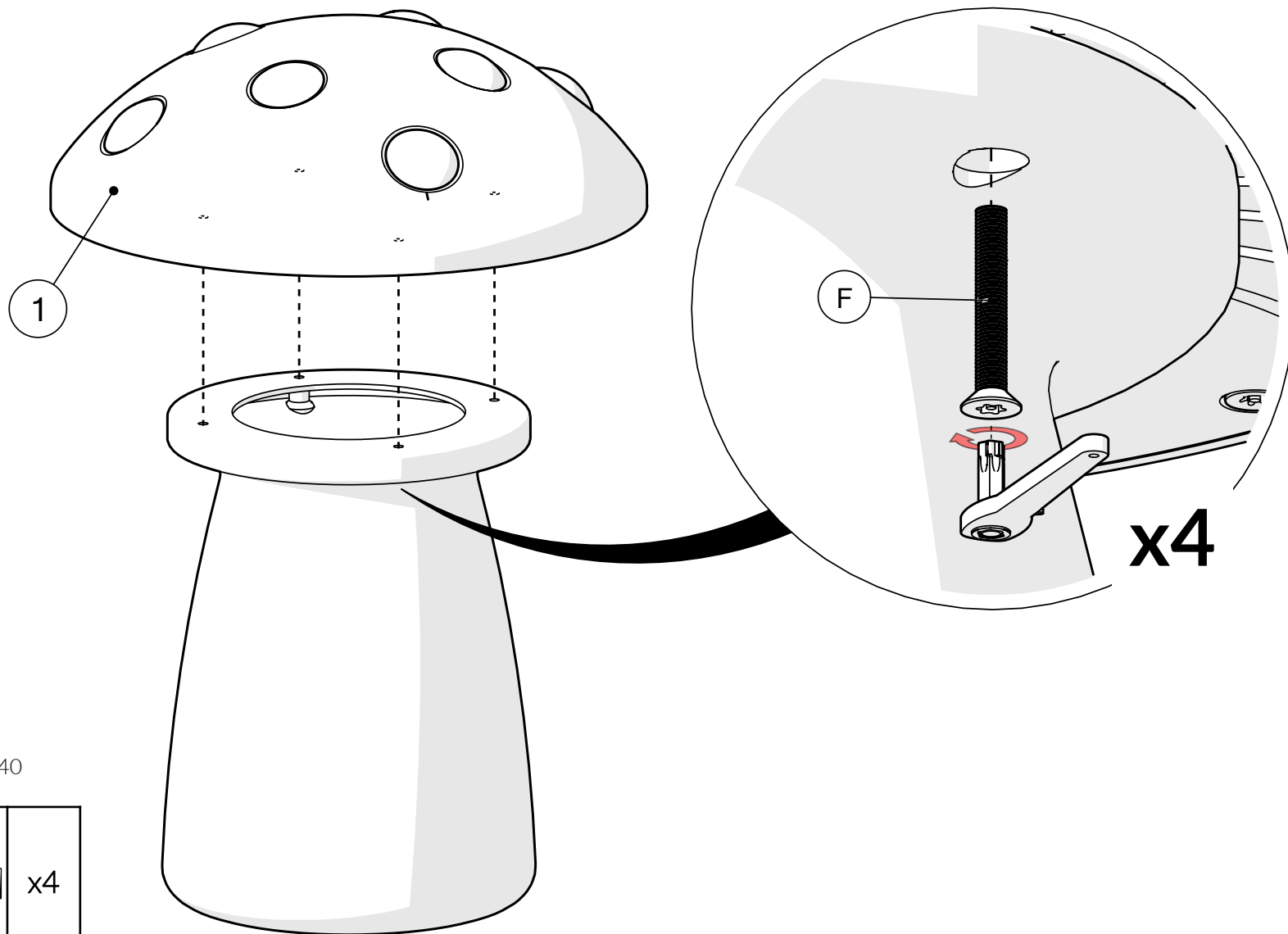


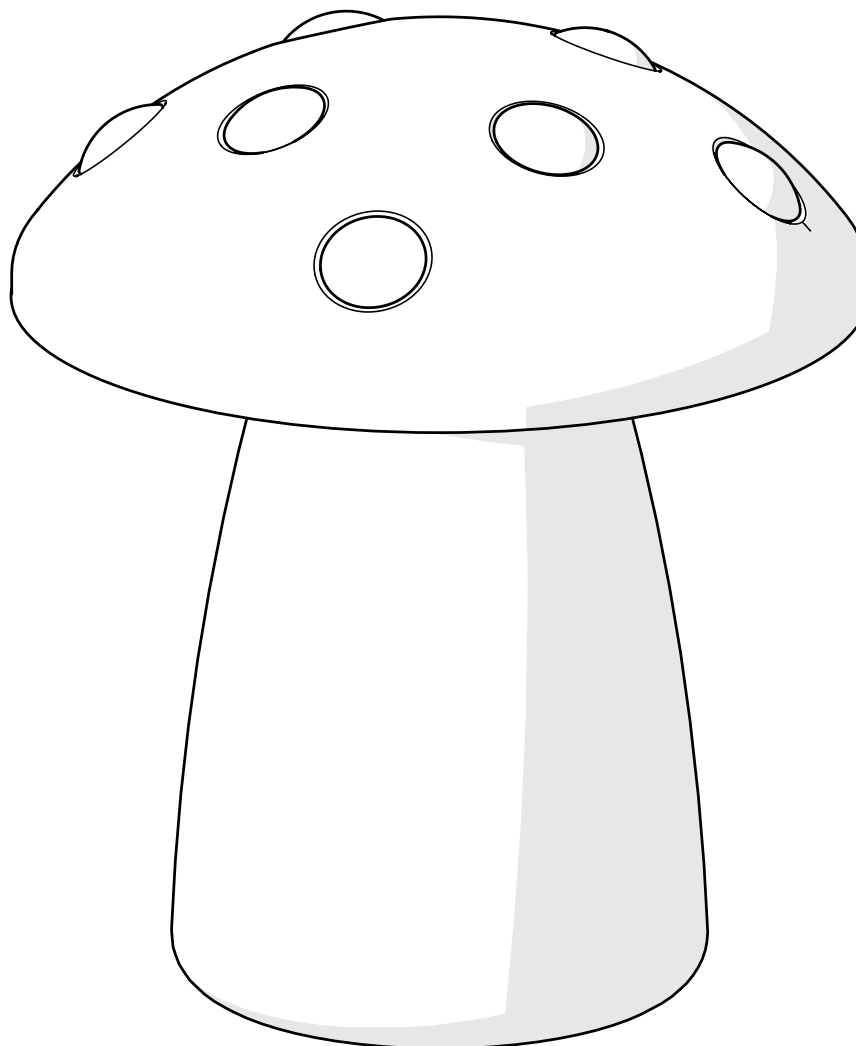
Foundations should not present a hazard

Refer to your local Health & Safety standards



4.





[percussionplay.com](http://percussionplay.com)



[info@percussionplay.com](mailto:info@percussionplay.com)



UK  
[01730 235 180](tel:01730235180)

USA & CAN  
[+1 \(866\) 882 9170](tel:+18668829170)

EUR & ROW  
[+44 1730 235 180](tel:+441730235180)