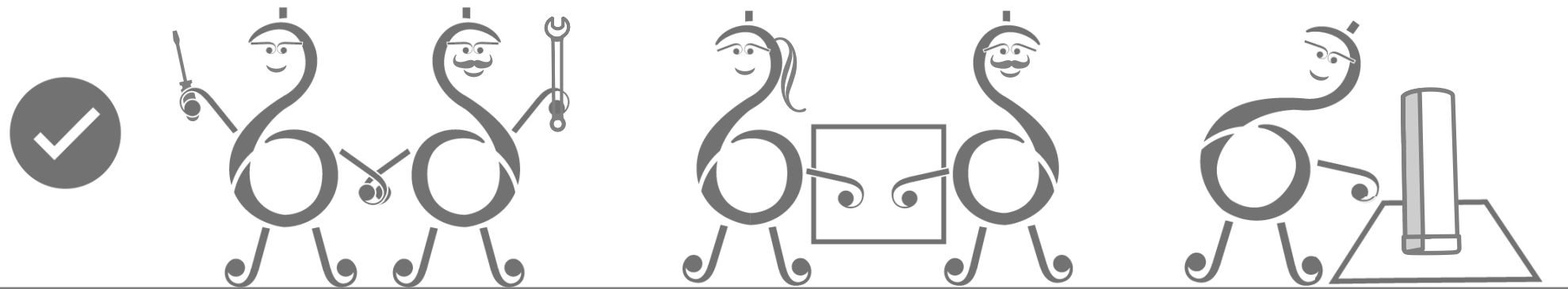
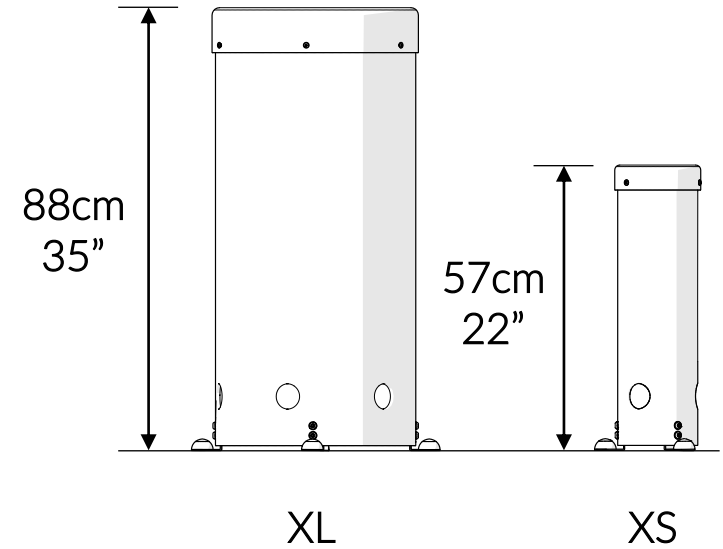
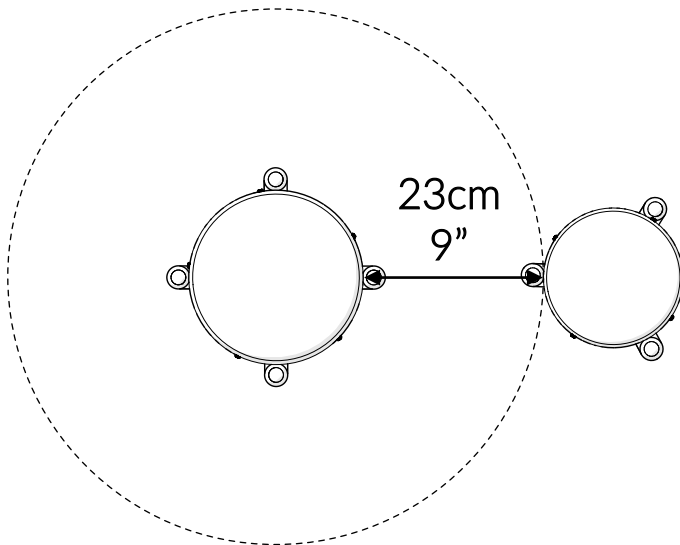
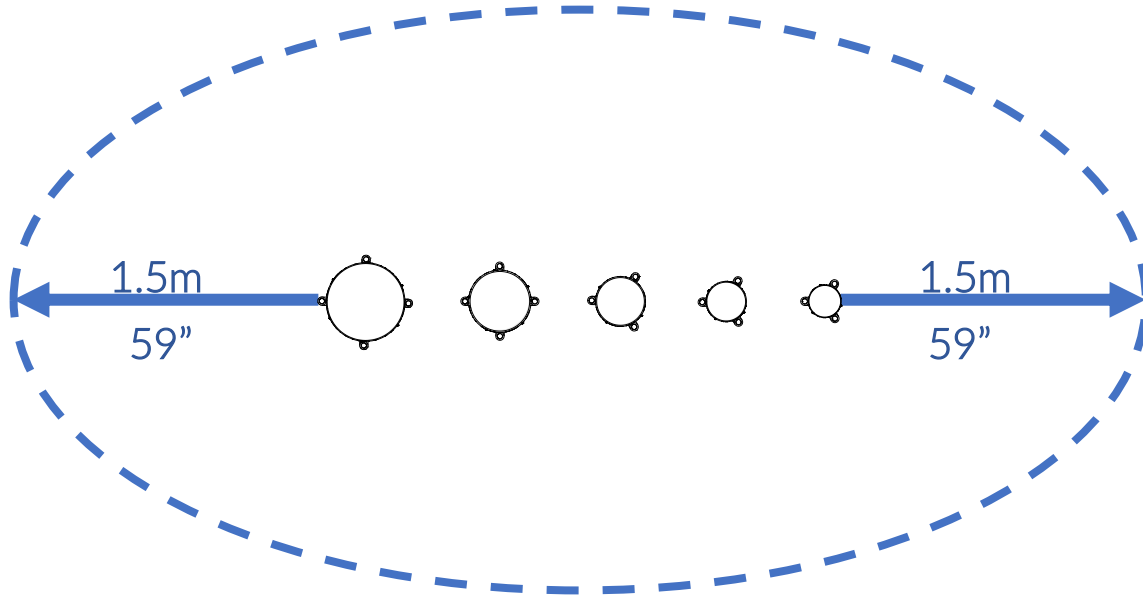


Part Reference	Description
PP-RSAM-ST-SD-SU	Rainbow Sambas (Set of 5) - (Surface Fix)
PP-RSAM-ST-HD-SU	Heavy Duty Rainbow Sambas (Set of 5) - (Surface Fix)

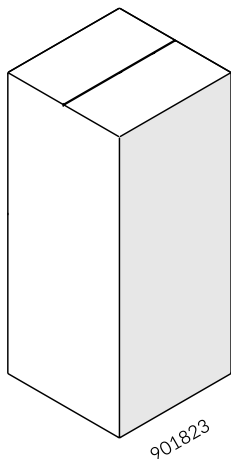




### Check Risk Assessment



## Packages

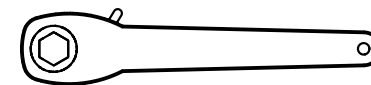


x1

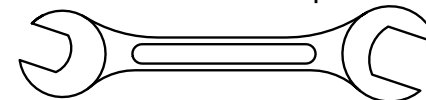
		L	W	H	Weight	Net
x1	901823	100cm / 39.3"	43cm / 17"	43cm / 17"	45kg / 99lbs	

## Tools required (not supplied)

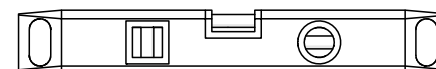
¼" Bit Driver Ratchet



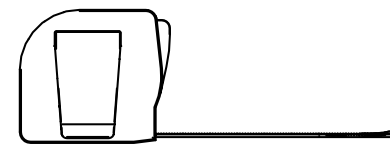
11/16" / 17mm Spanner

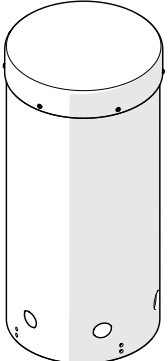
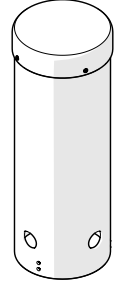
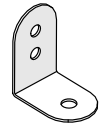
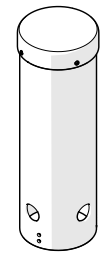
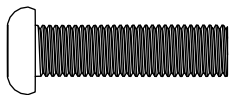
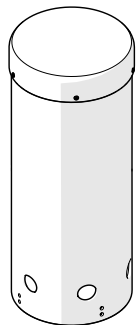
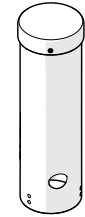
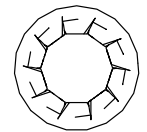
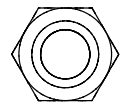
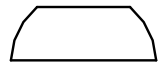

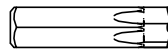


Spirit level



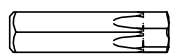
Tape Measure



901823		600570	
<p>① x1 XL</p> 	<p>③ x1 M</p> 	<p>Ⓐ x17 600428</p> 	
	<p>④ x1 S</p> 	<p>Ⓑ x34 500454</p> 	
<p>② x1 L</p> 	<p>⑤ x1 XS</p> 	<p>Ⓒ x34 500456</p> 	
		<p>Ⓓ x34 500676</p> 	
		<p>Ⓔ x17 601543</p> 	
		<p>Ⓕ x17 601542</p> 	
		<p>TX40 x1 500474</p> 	

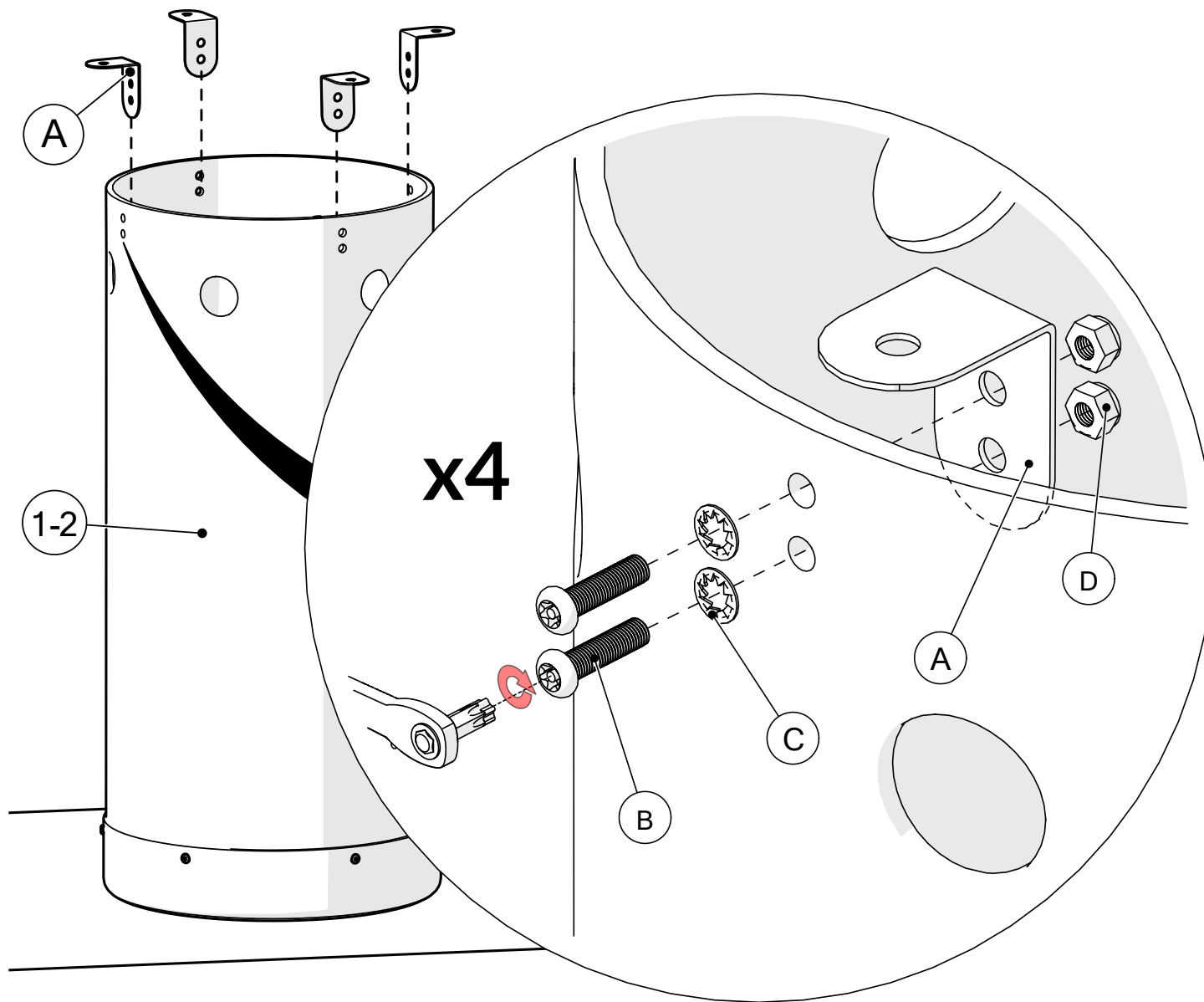
Not to scale

# 1. x2

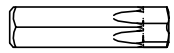


TX40

A		x8
B		x16
C		x16
D		x16

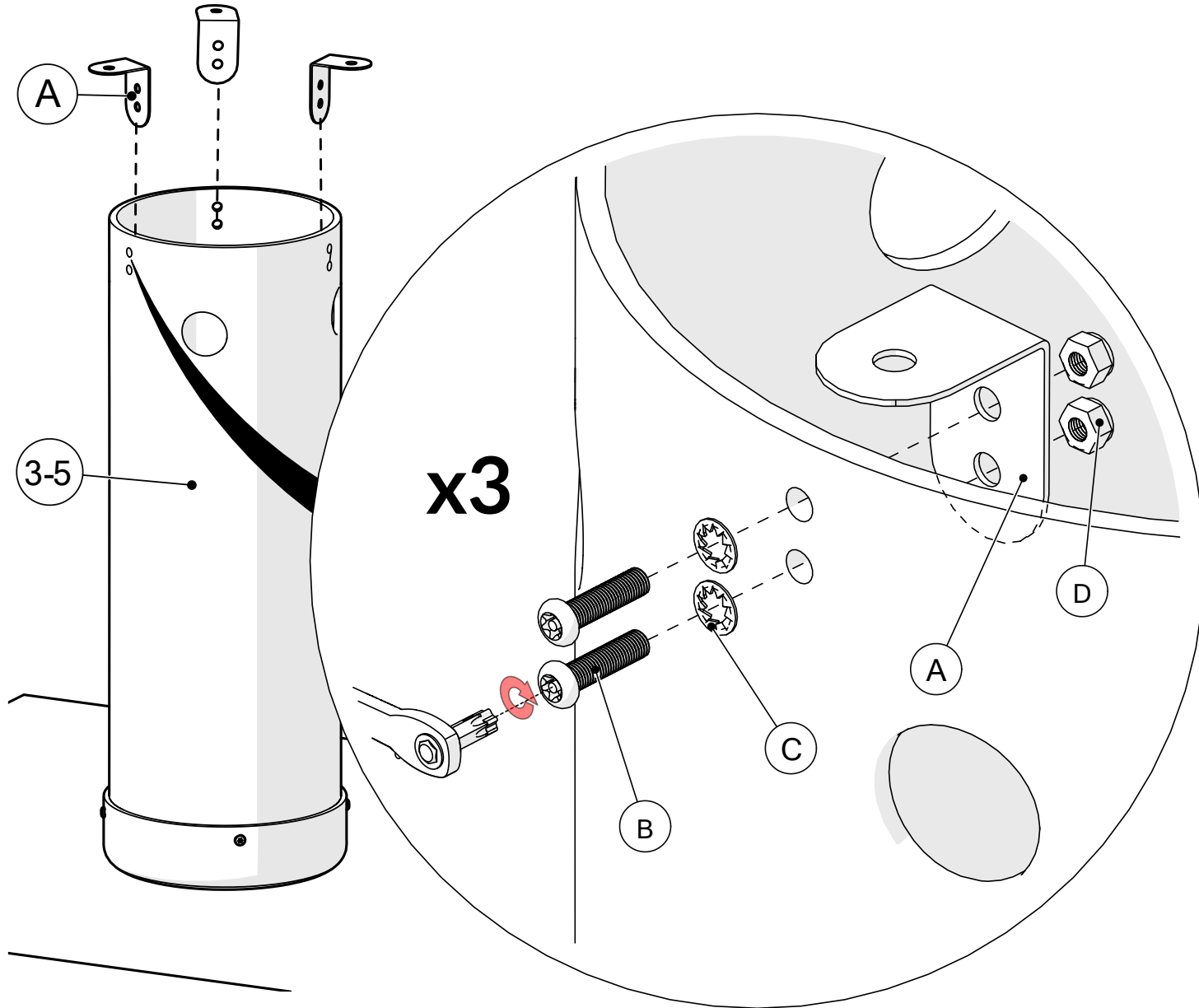


# 2. x3

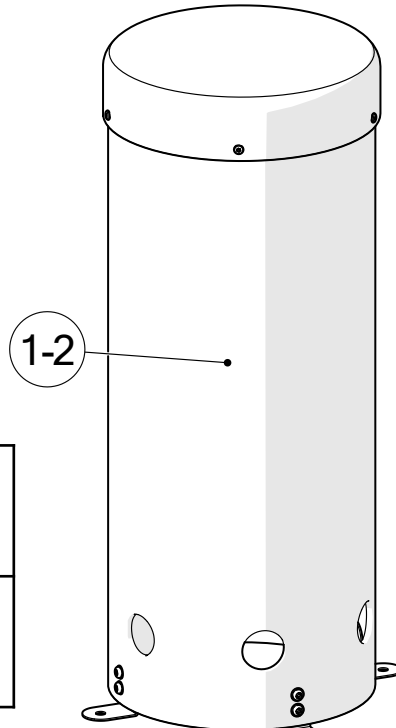


TX40

A		x9
B		x18
C		x18
D		x18



**3. x2**

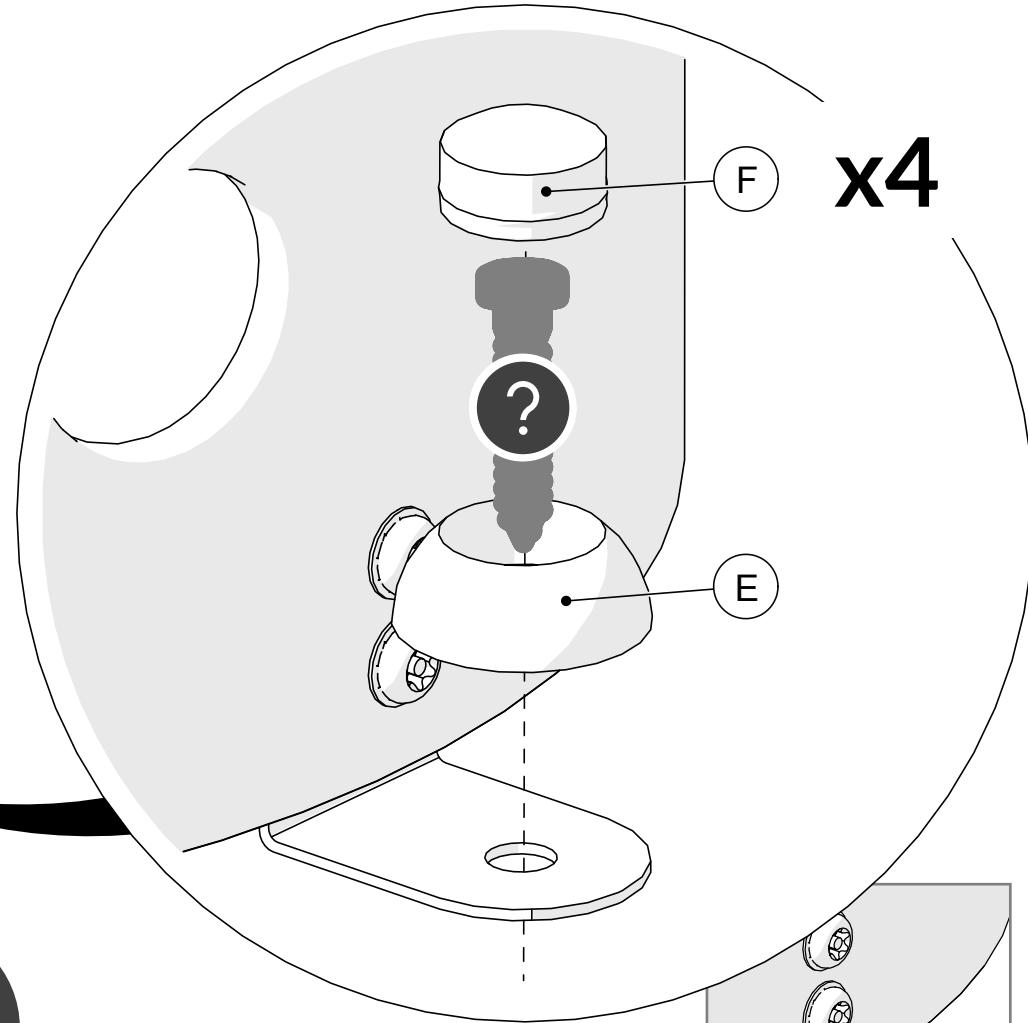


E		x8
F		x8

Surface

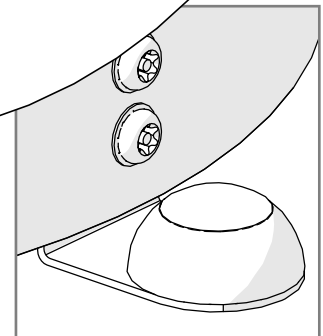
Example fixing

	Wood		x8
	Concrete		x8
	Brick		x8



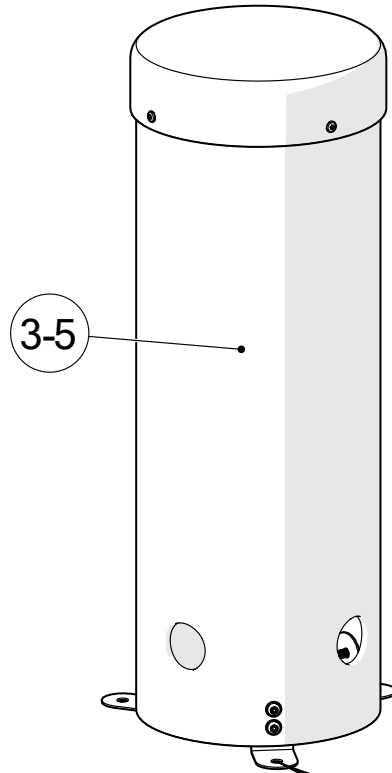
Surface fixing should not present a hazard

Refer to your local Health & Safety standards





**4. x3**

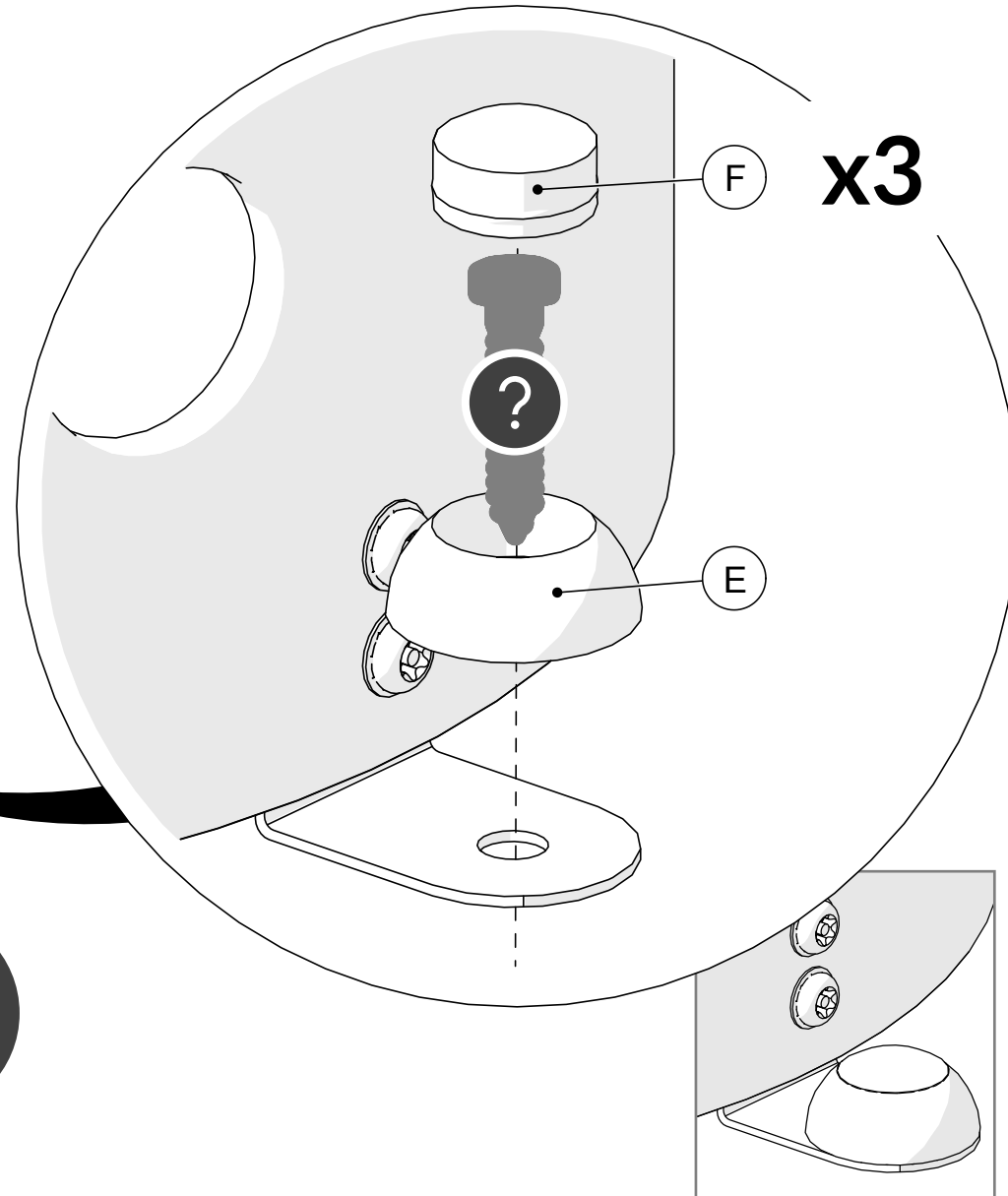


E		x9
F		x9

Surface

Example fixing

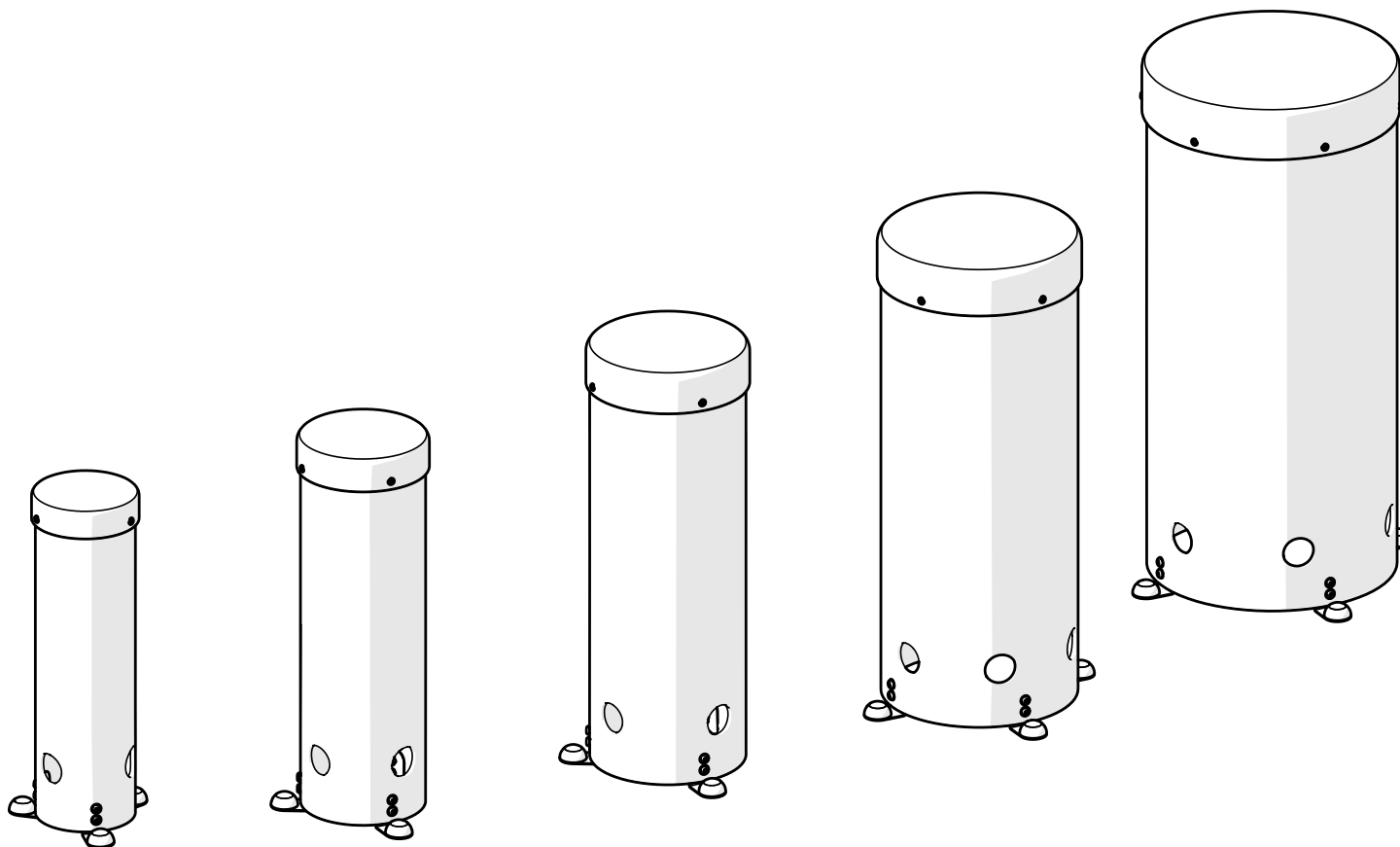
	Wood		x9
	Concrete		x9
	Brick		x9



**x3**

F

E



[percussionplay.com](http://percussionplay.com)



[info@percussionplay.com](mailto:info@percussionplay.com)



UK  
[01730 235 180](tel:01730235180)

USA & CAN  
[+1 \(866\) 882 9170](tel:+18668829170)

EUR & ROW  
[+44 1730 235 180](tel:+441730235180)

Layout for illustration purposes only