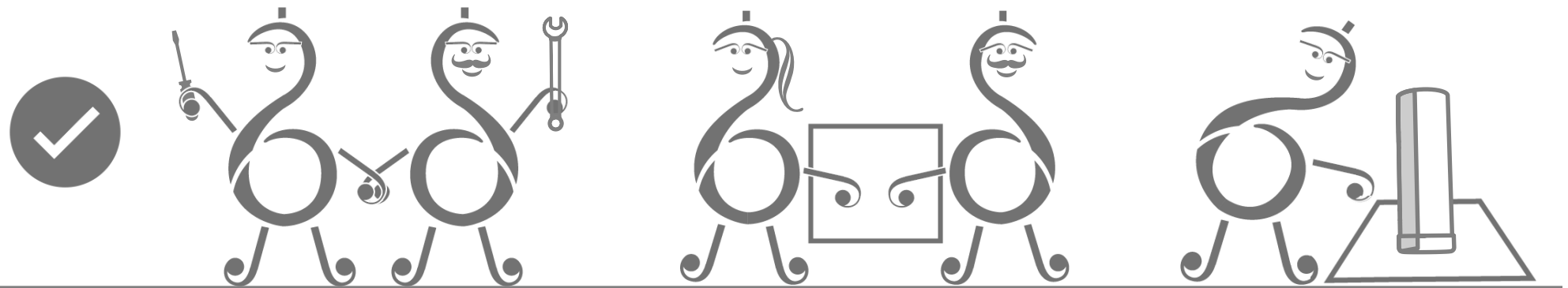
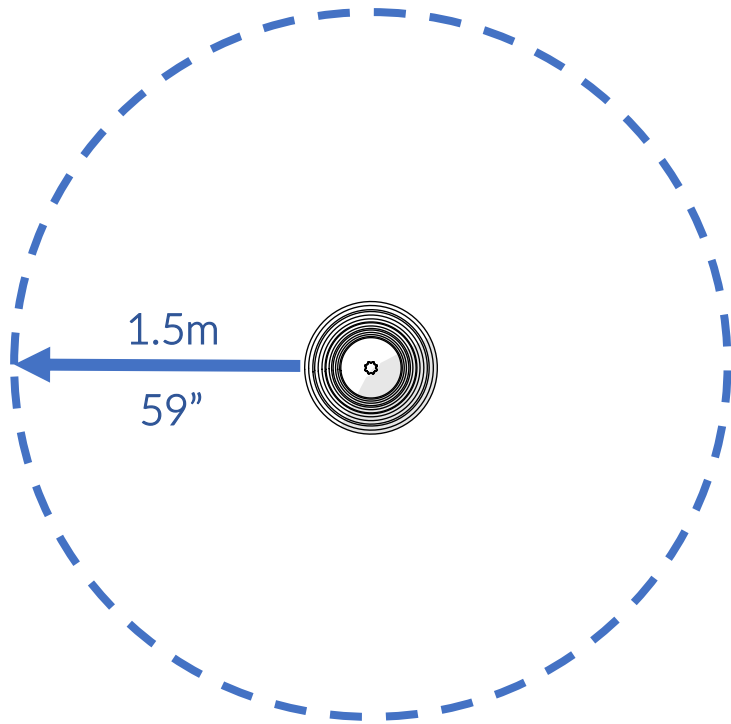


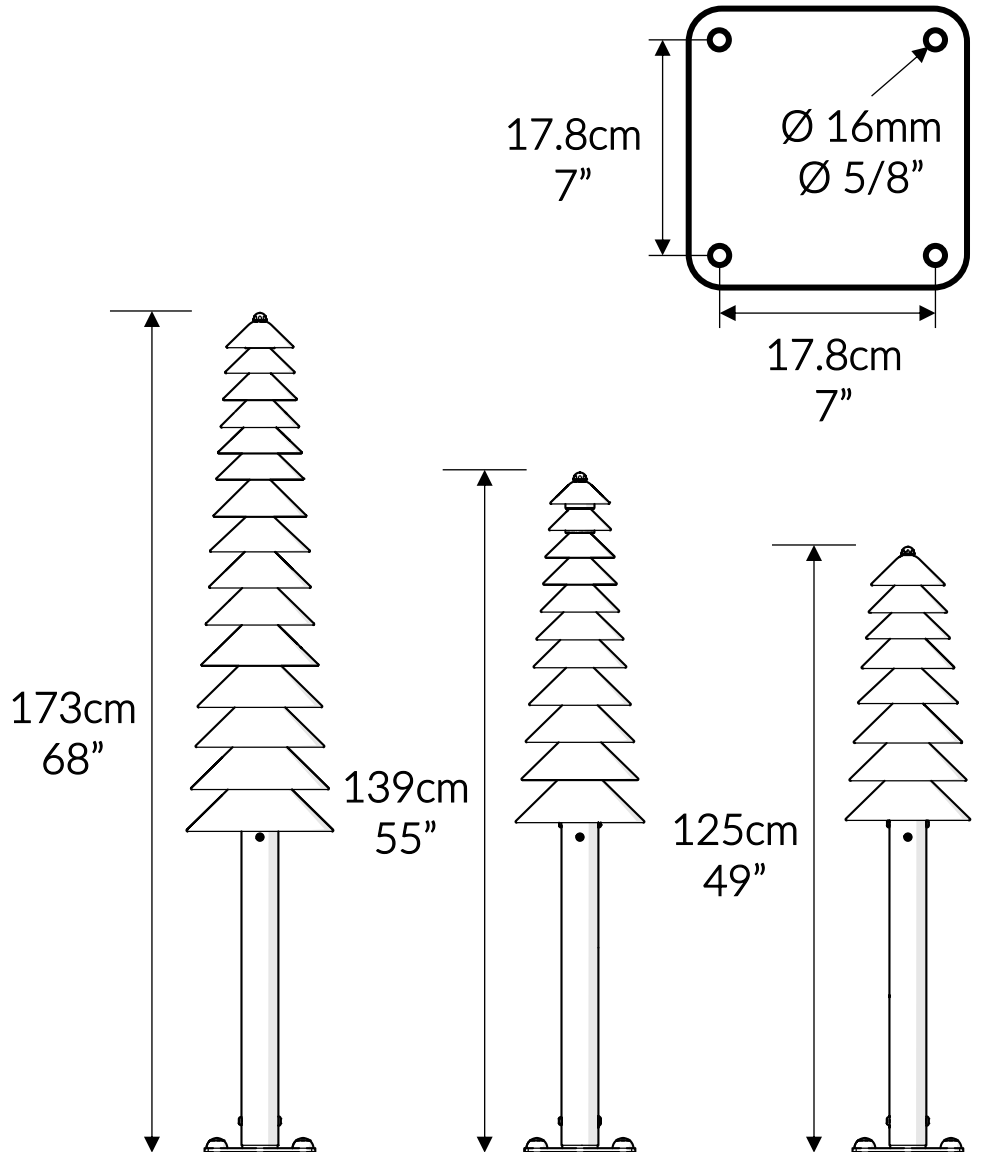
Part Reference	Description
PP-STRE-L-SF	Sylvan Bell-Tree Grande (Surface Fix)
PP-STRE-M-SF	Sylvan Bell-Tree Tall (Surface Fix)
PP-STRE-S-SF	Sylvan Bell-Tree Short (Surface Fix)



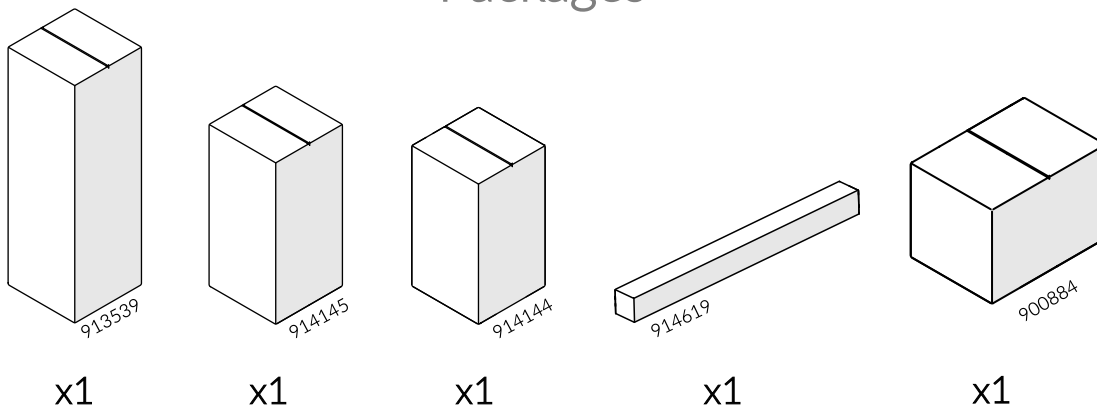




Check Risk Assessment



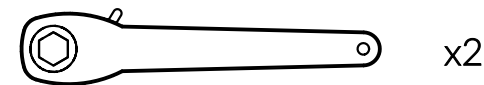
Packages



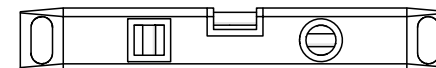
		L	W	H	Weight
x1	Grande-913539	75cm / 29.5"	27cm / 11"	27cm / 11"	13kg / 28.5lbs
x1	Tall-914145	77cm / 30.5"	37cm / 14.5"	37cm / 14.5"	8kg / 17.5lbs
x1	Short-914144	67cm / 26.5"	37cm / 14.5"	37cm / 14.5"	7kg / 15.5lbs
x1	914619	115cm / 45"	11cm / 4.5"	11cm / 4.5"	3.5kg / 8lbs
x1	900884	32cm / 12.5"	23cm / 9"	23cm / 9"	6kg / 13lbs

Tools required (not supplied)

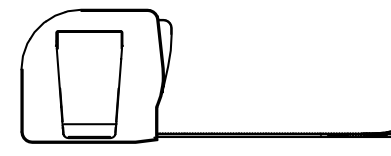
¼" Bit Driver Ratchet



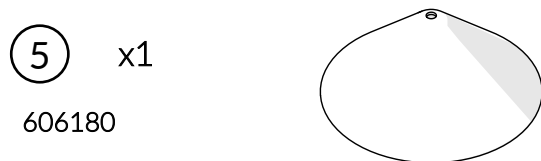
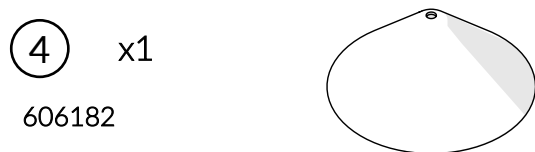
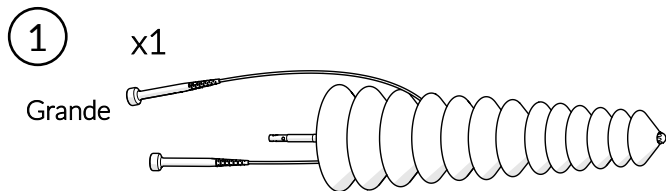
Spirit level



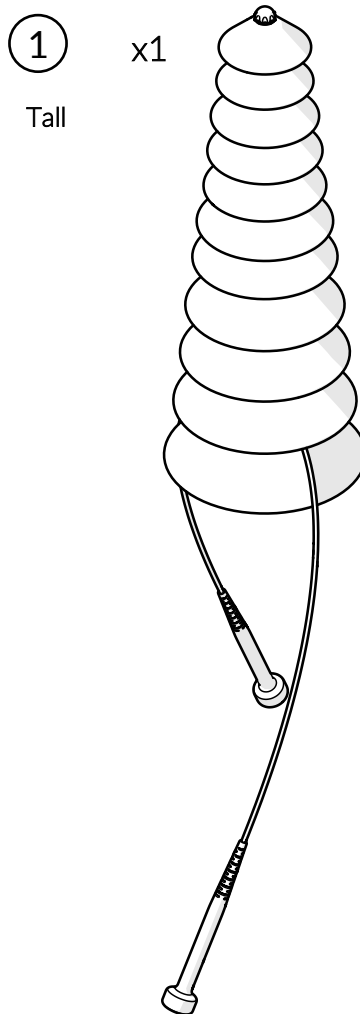
Tape Measure



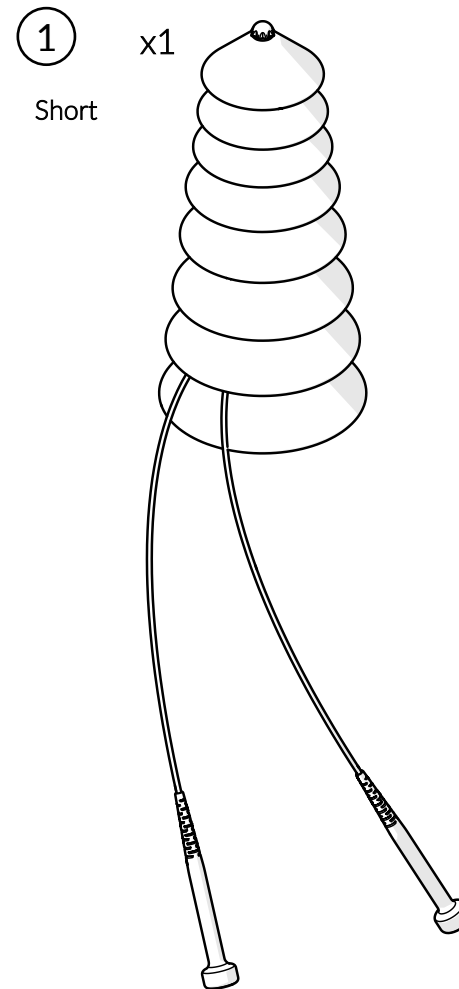
913539

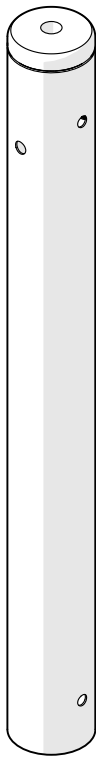

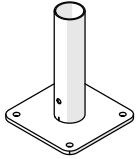
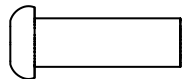
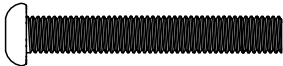
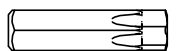
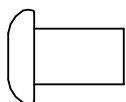





914145



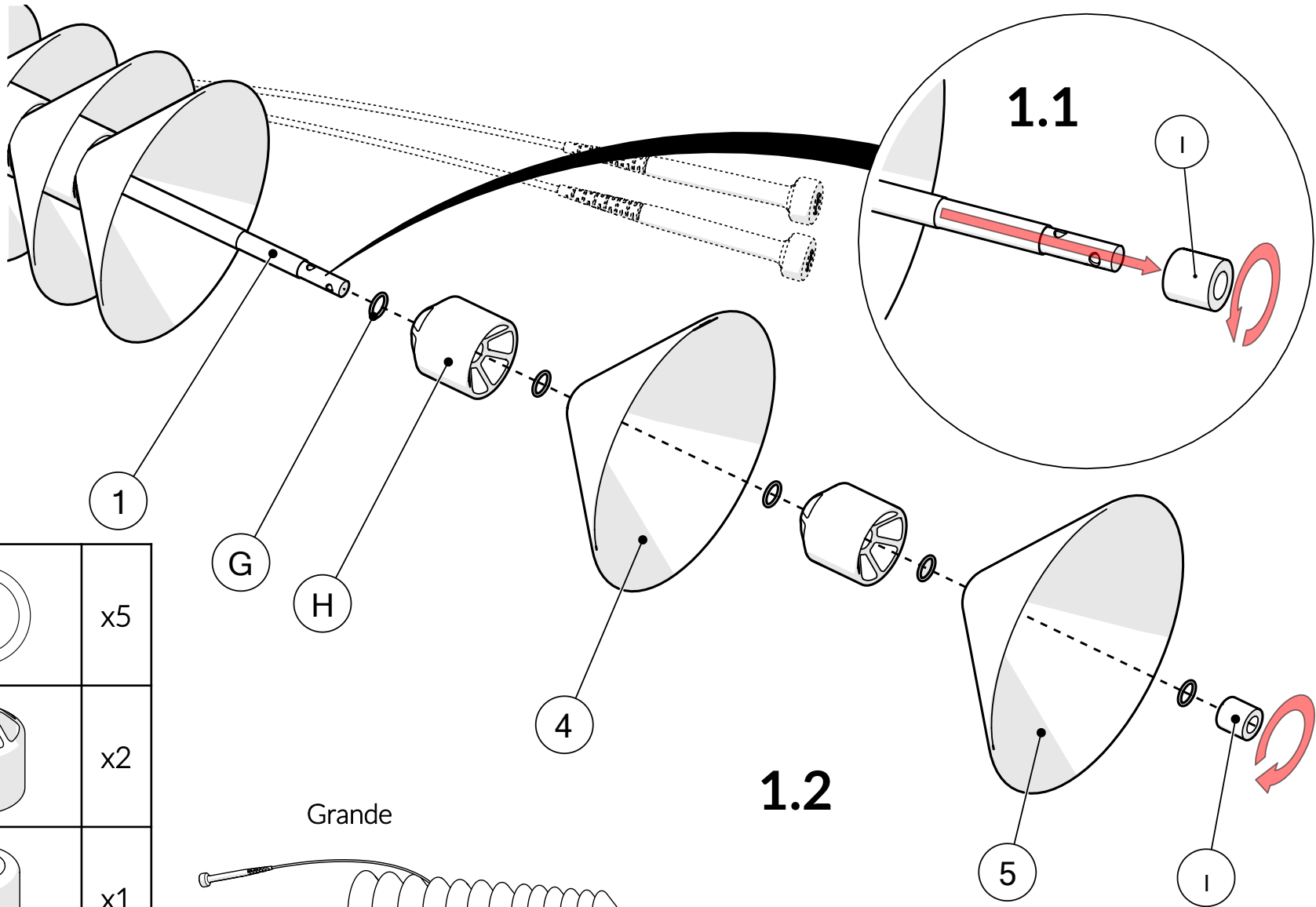
914144

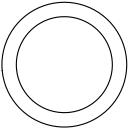
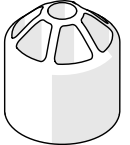
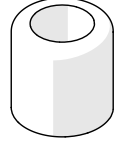


914619		x3	900884		x3
<p>② x1 814152</p> 	<p>⑤ x2 500680</p> 		<p>③ x1 800878</p> 		
	<p>⑥ x2 501412</p> 		<p>④ x1 500667</p> 		
	<p>TX40 x2 500474</p> 		<p>⑦ x1 500613</p> 		
			<p>⑧ x4 601543</p> 		
			<p>⑨ x4 601542</p> 		
			<p>TX45 x2 500720</p> 		

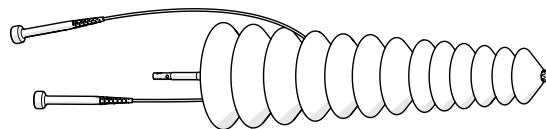
Not to scale

1.

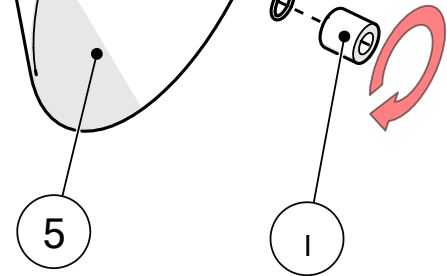


G		x5
H		x2
I		x1

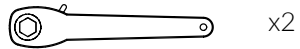
Grande



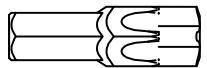
1.2




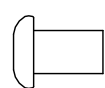
2. x3



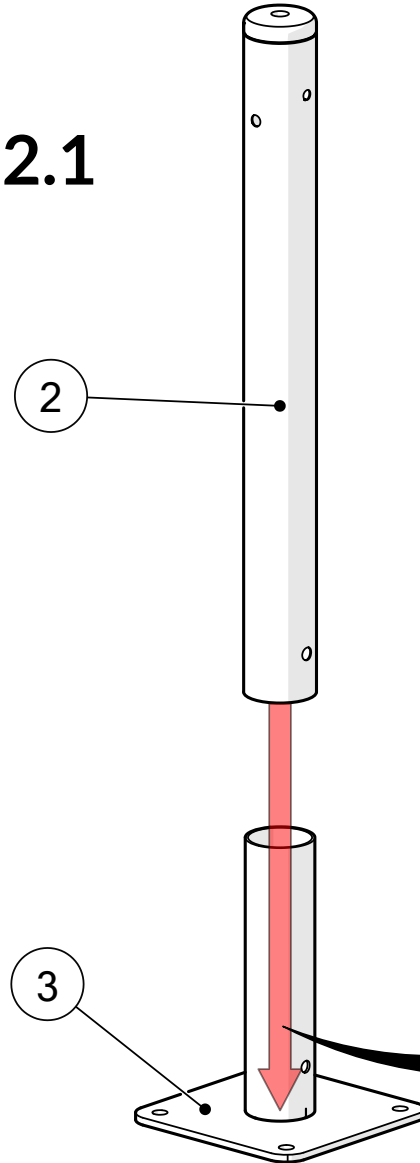
x2



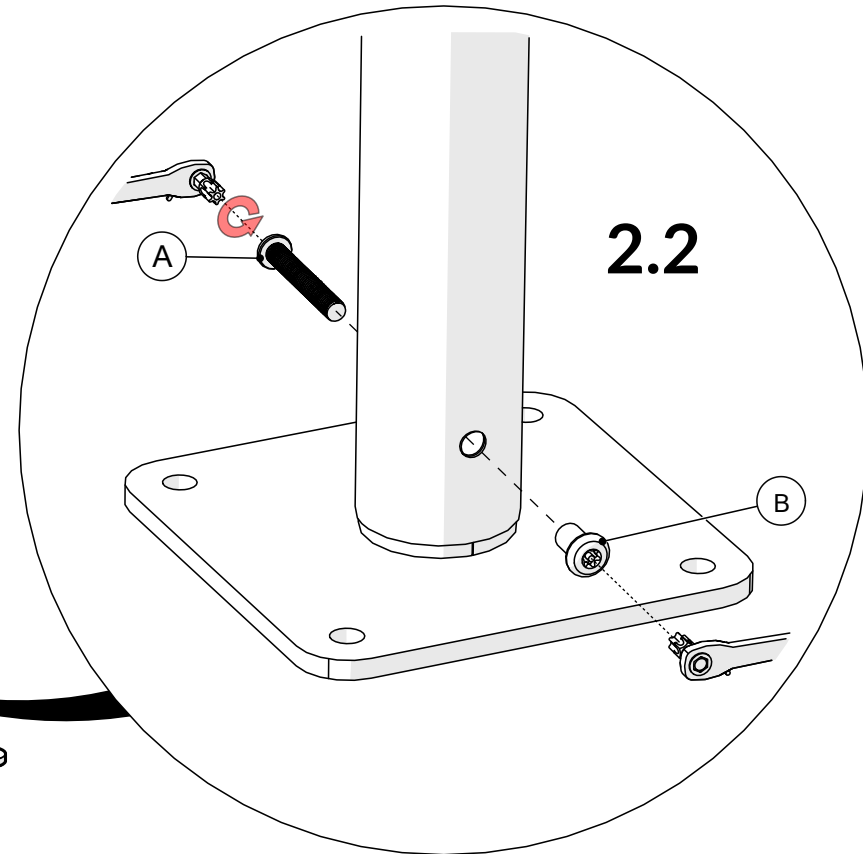
x2 TX45

A		x1
B		x1

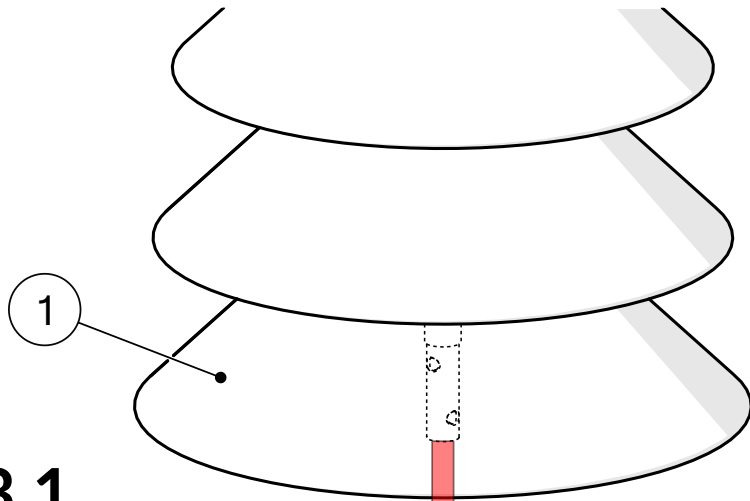
2.1



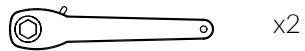
2.2



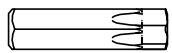
3. x3



3.1

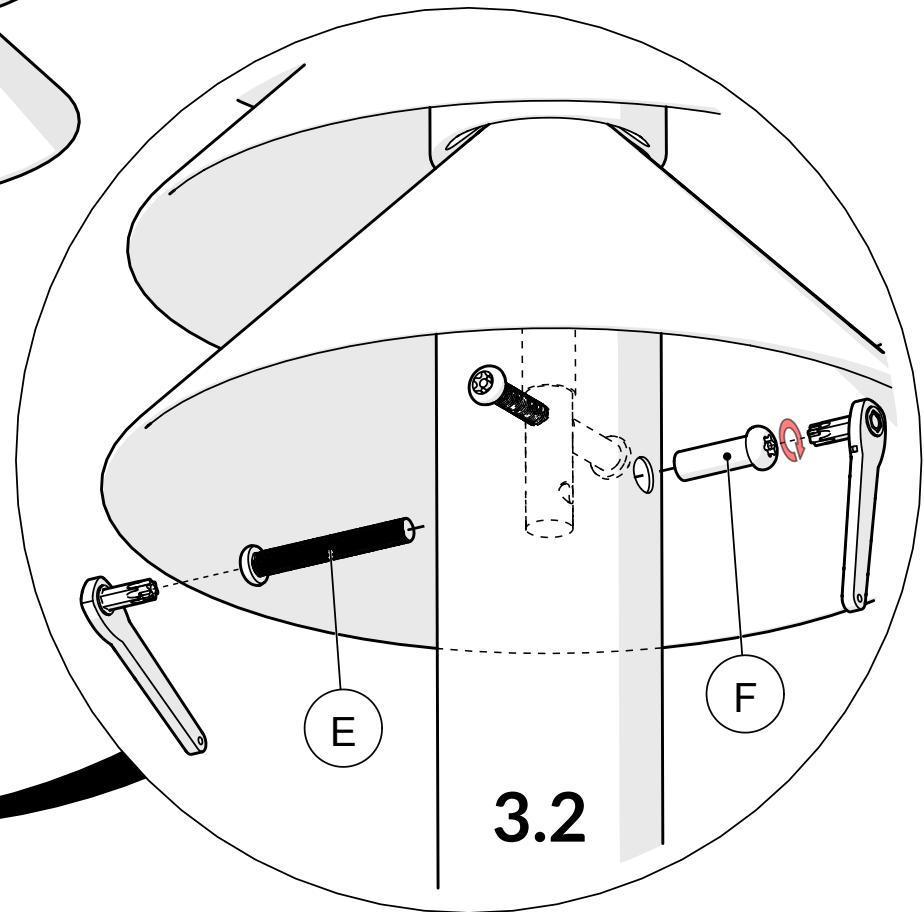
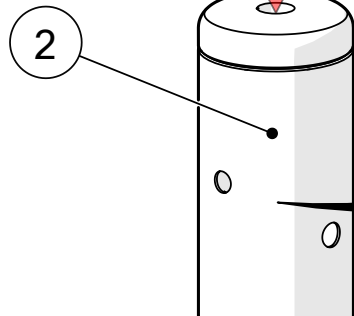


x2



x2 TX40

E		x2
F		x2



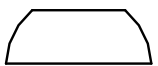

3.2

4. x3

Surface fixing should not present a hazard




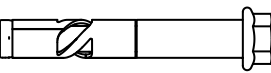

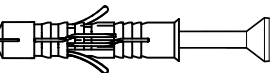


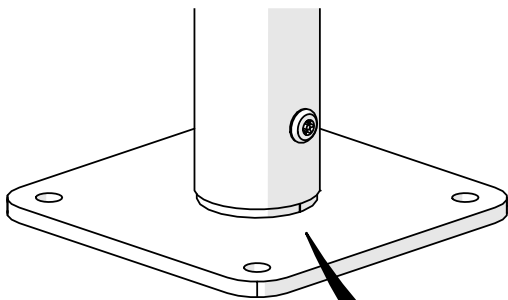
Refer to your local Health & Safety standards

C		x4
D		x4

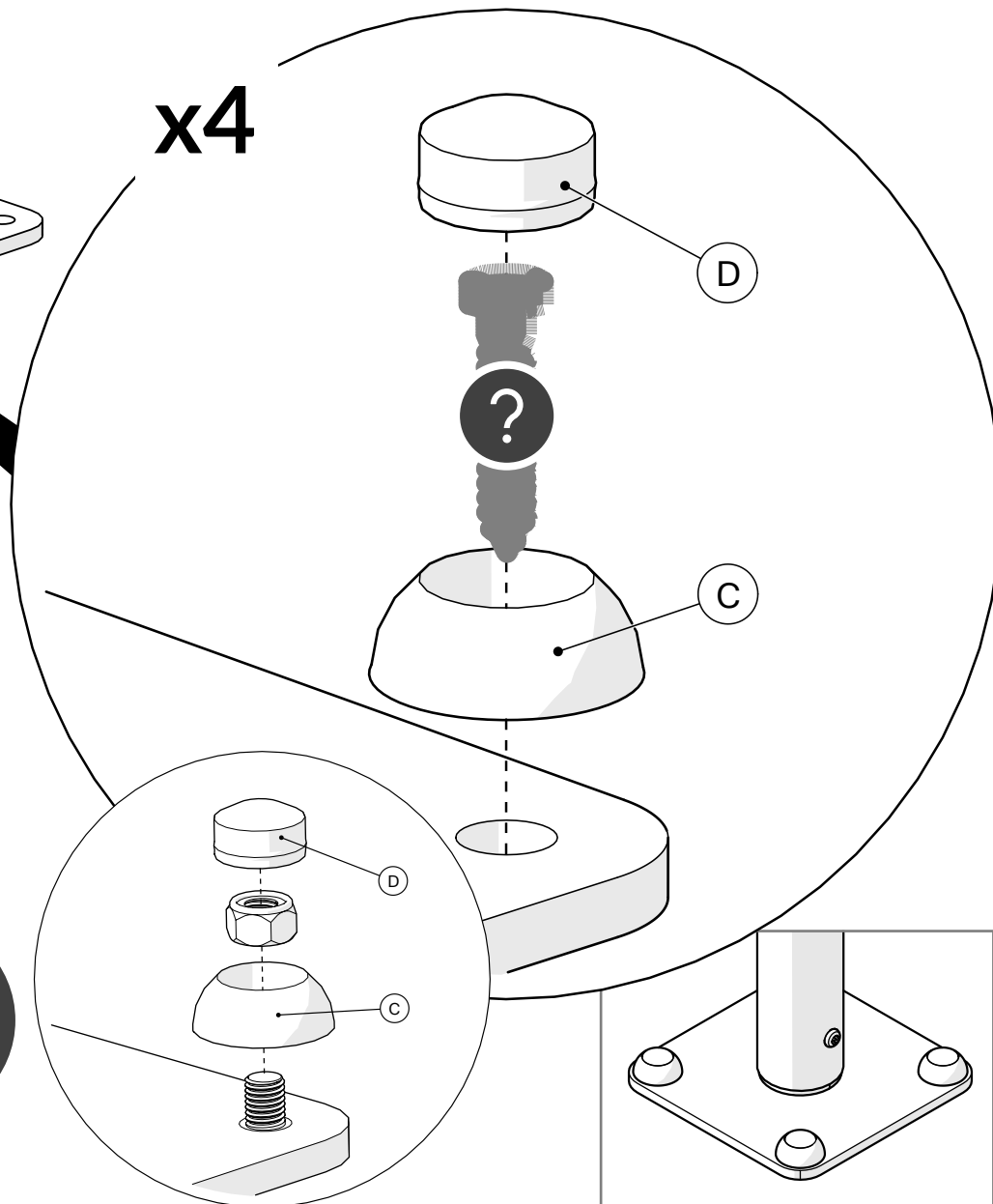
Surface

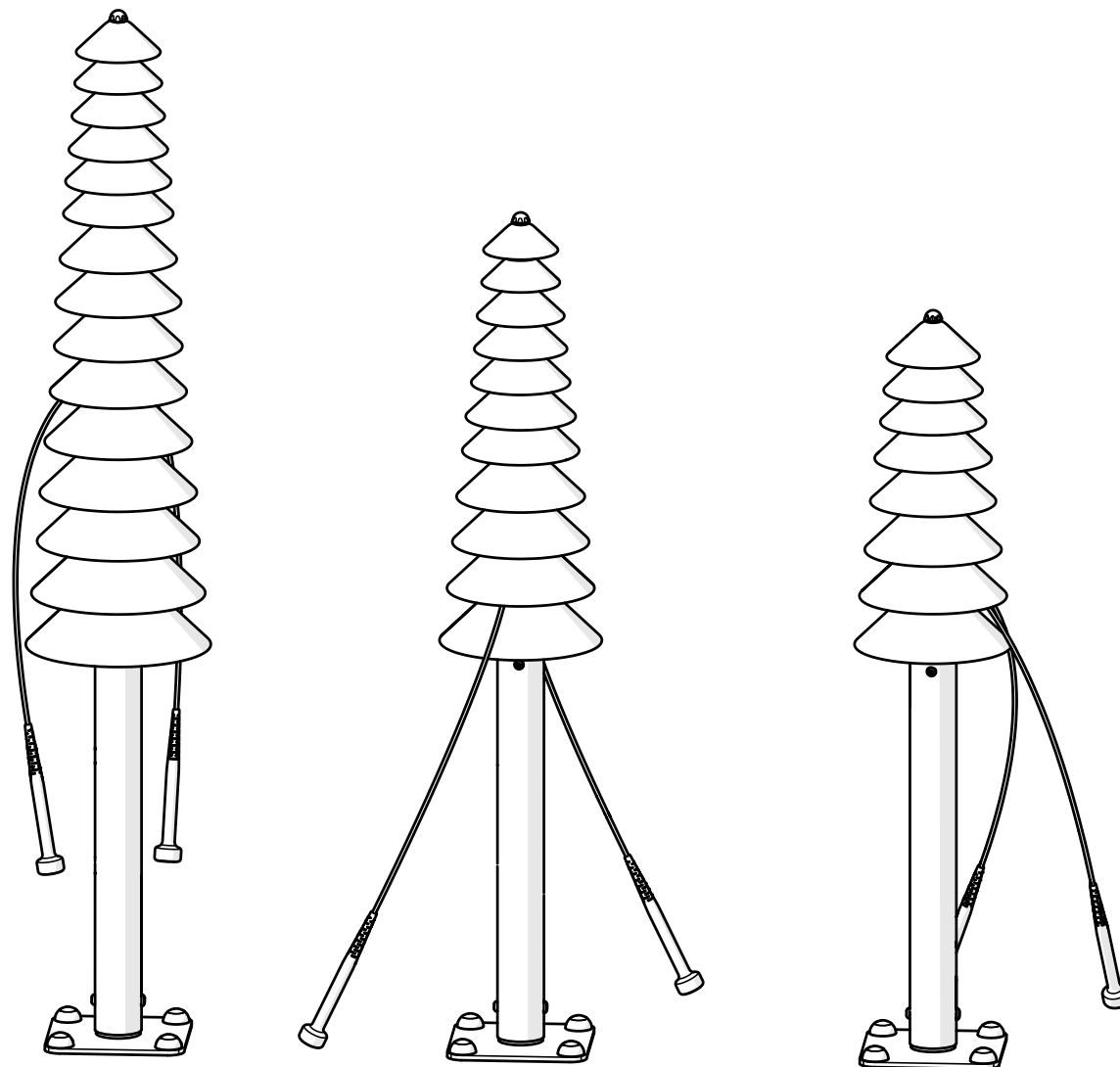
Example fixing

	Wood		x4
	Concrete		x4
	Brick		x4



x4





percussionplay.com



info@percussionplay.com



UK
[01730 235 180](tel:01730235180)

USA & CAN
[+1 \(866\) 882 9170](tel:+18668829170)

EUR & ROW
[+44 1730 235 180](tel:+441730235180)