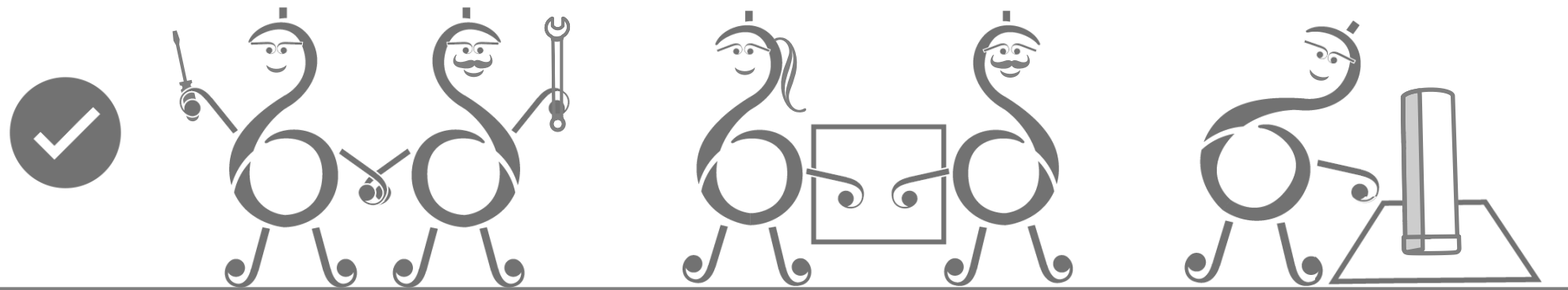
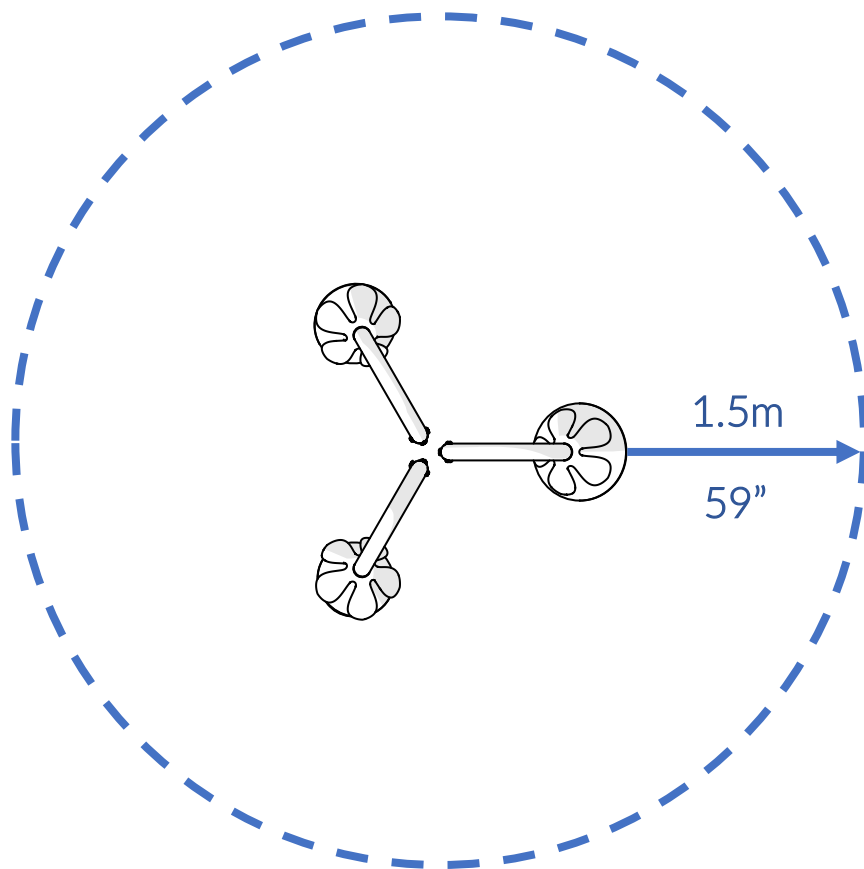


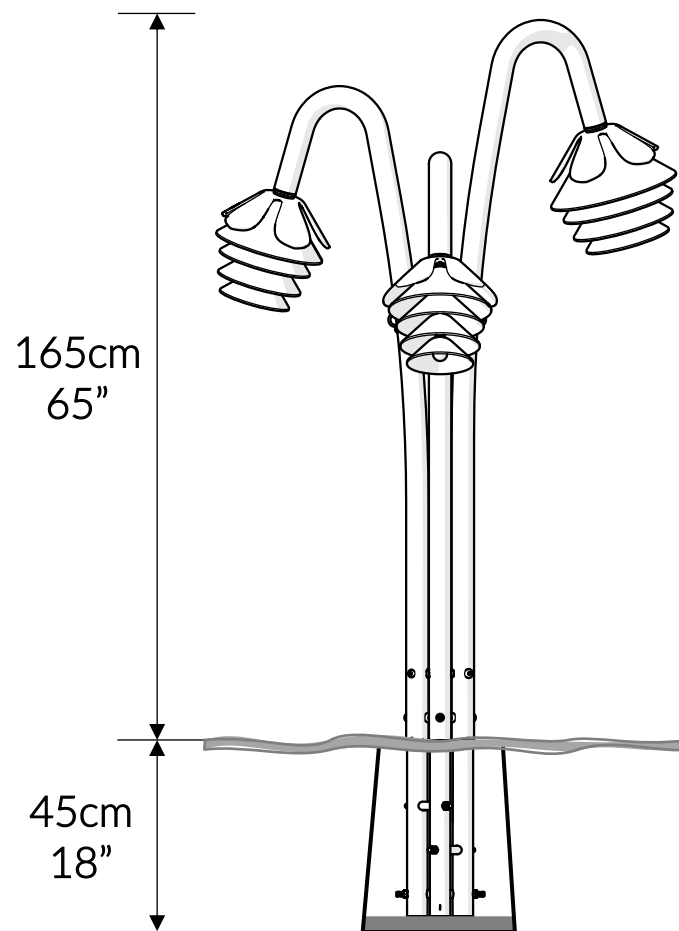
Part Reference	Description
PP-HBBU-MA-GF	Harmony Bells Major Bunch (Set of 3) (Ground Fix)
PP-HBBU-MI-GF	Harmony Bells Minor Bunch (Set of 3) (Ground Fix)



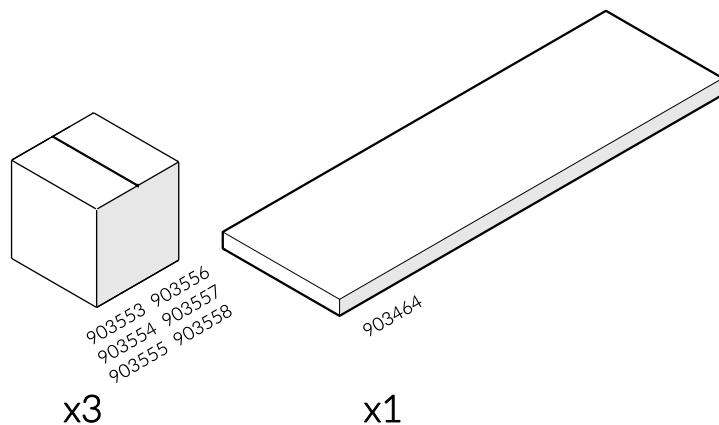




Check Risk Assessment



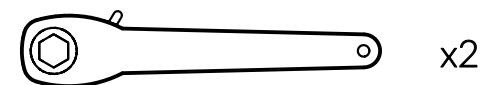
## Packages



		L	W	H	Weight	Net
x1	903553	29cm /	28cm /	29cm /	3kg / 6.6lbs	
	903556	11.5"	11"	11.5"		
x1	903554	29cm /	28cm /	29cm /	3kg / 6.6lbs	
	903557	11.5"	11"	11.5"		
x1	903555	29cm /	28cm /	29cm /	3kg / 6.6lbs	
	903558	11.5"	11"	11.5"		
x1	903464	187cm /	57cm /	7cm / 3"	22kg / 48.5lbs	
		74"	22.5"			

## Tools required (not supplied)

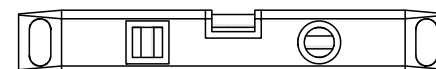
¼" Bit Driver Ratchet



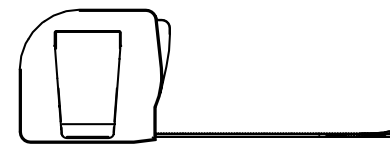
11/16" / 17mm Spanner



Spirit level

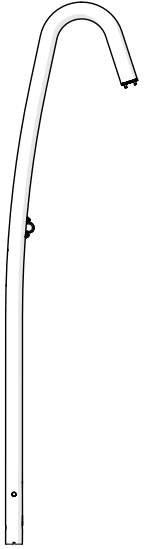
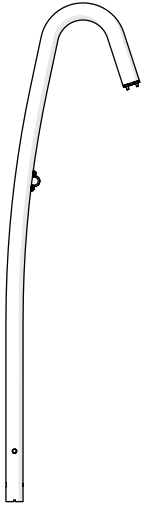
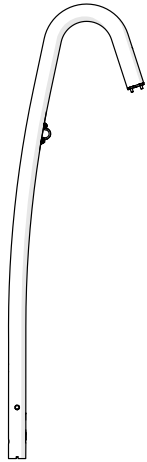
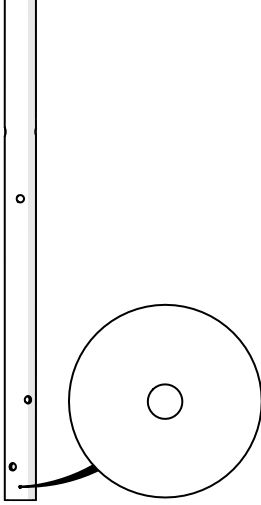
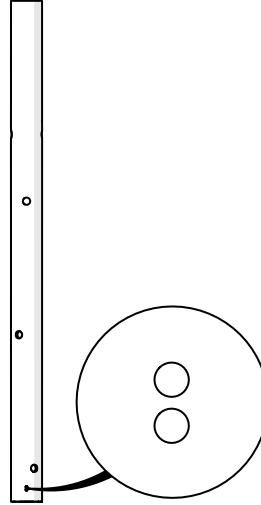
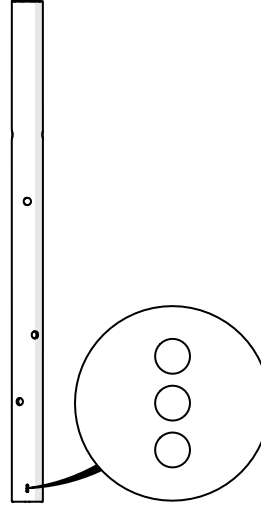

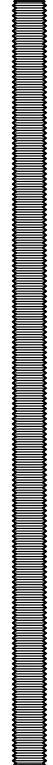
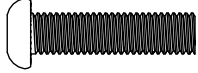

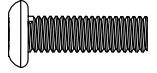
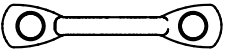

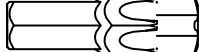

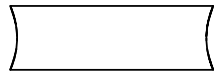


Tape Measure



Not to scale

903464

 <p>① x1 803291</p>	 <p>② x1 803290</p>	 <p>③ x1 803289</p>	 <p>④ x1 603887</p>	 <p>⑤ x1 603888</p>	 <p>⑥ x1 603889</p>	 <p>⑦ x3 900873</p>	
 <p>Ⓐ x6 501196</p>	 <p>Ⓑ x6 500613</p>	 <p>Ⓓ x6 500746</p>	 <p>Ⓔ x3 603150</p>	 <p>TX30 x1 500473</p>	 <p>TX45 x2 500720</p>	 <p>Ⓖ x6 500457</p>	 <p>Ⓒ x3 606001</p> <p>Ⓕ x3 500627</p>

## Major Bunch

## Minor Bunch

903553

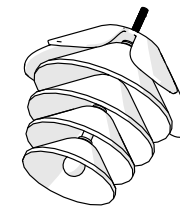
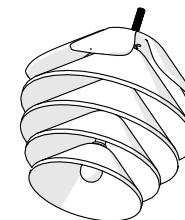
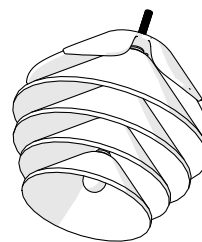
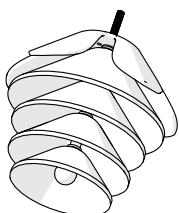
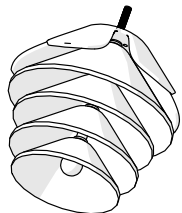
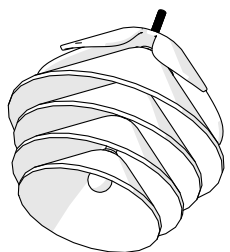
903554

903555

903556

903557

903558



8 x1

9 x1

10 x1

8 x1

9 x1

10 x1

C major - Red

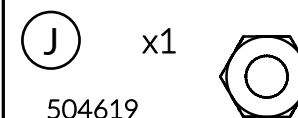
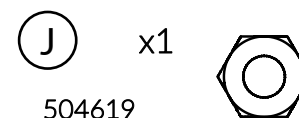
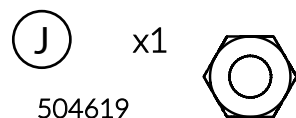
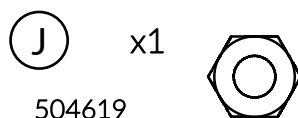
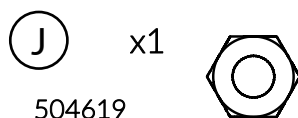
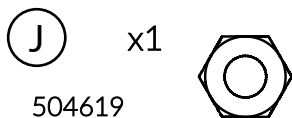
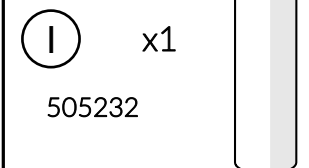
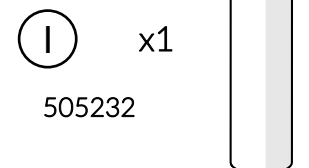
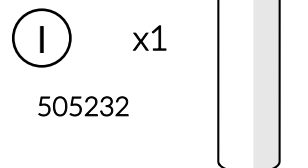
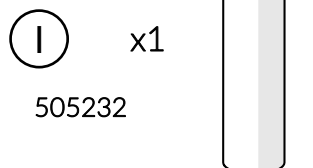
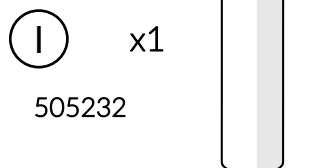
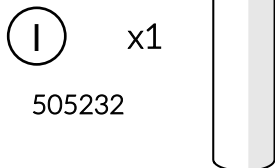
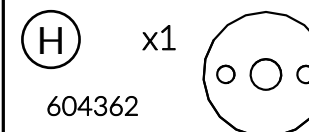
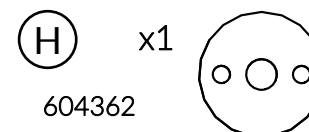
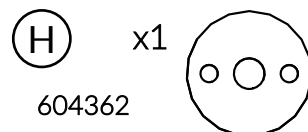
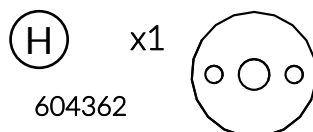
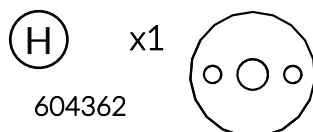
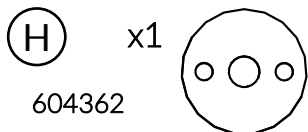
F major - Green

G major - Blue

D minor - Orange

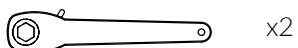
E minor - Yellow

A minor - Indigo

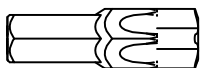


# 1.

## 1.1

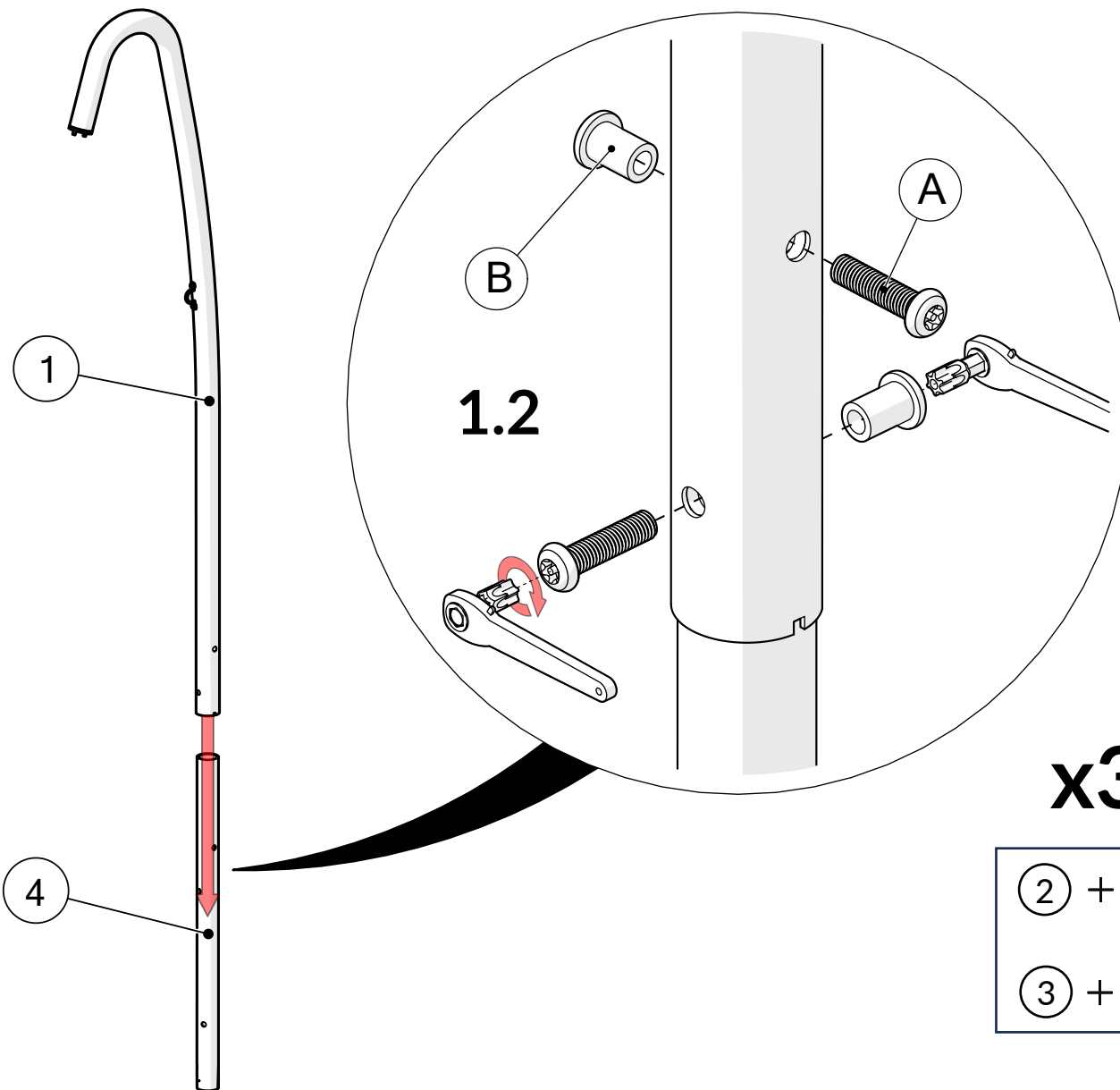


x2



x2 TX45

A		x6
B		x6

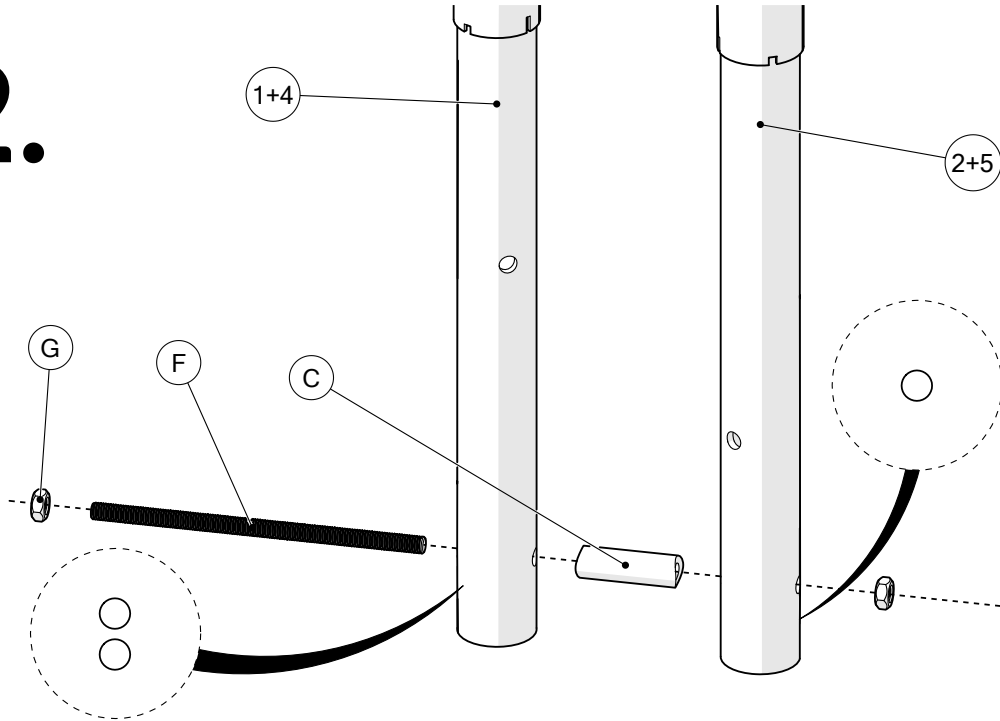


x3

2	+	5
3	+	6

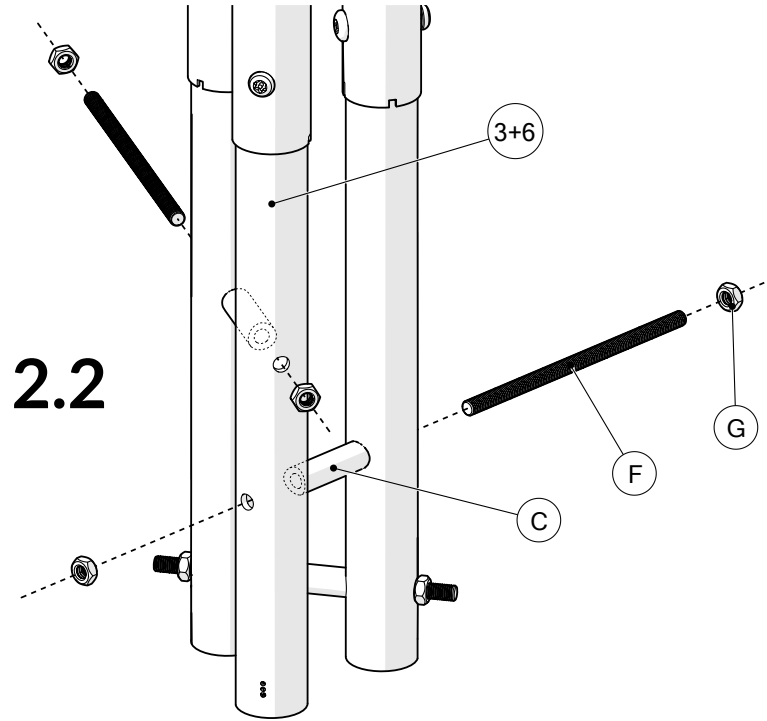
# 2.

## 2.1

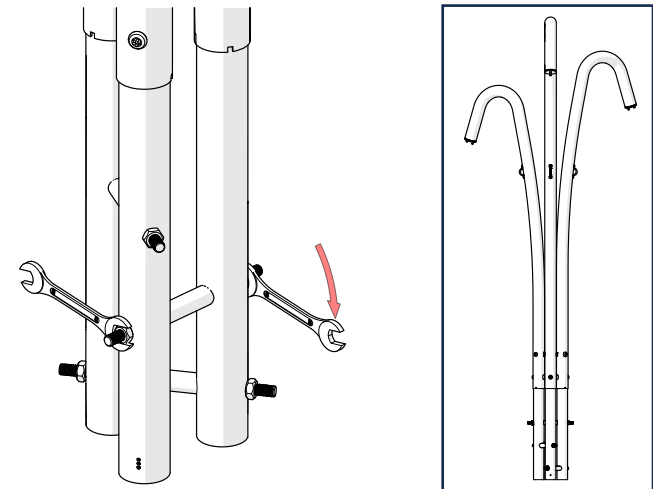


C		x3
F		x3
G		x6

## 2.2



## 2.3



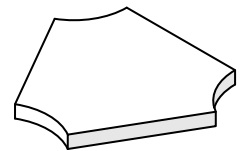
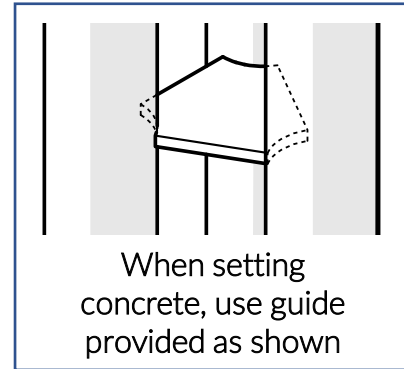
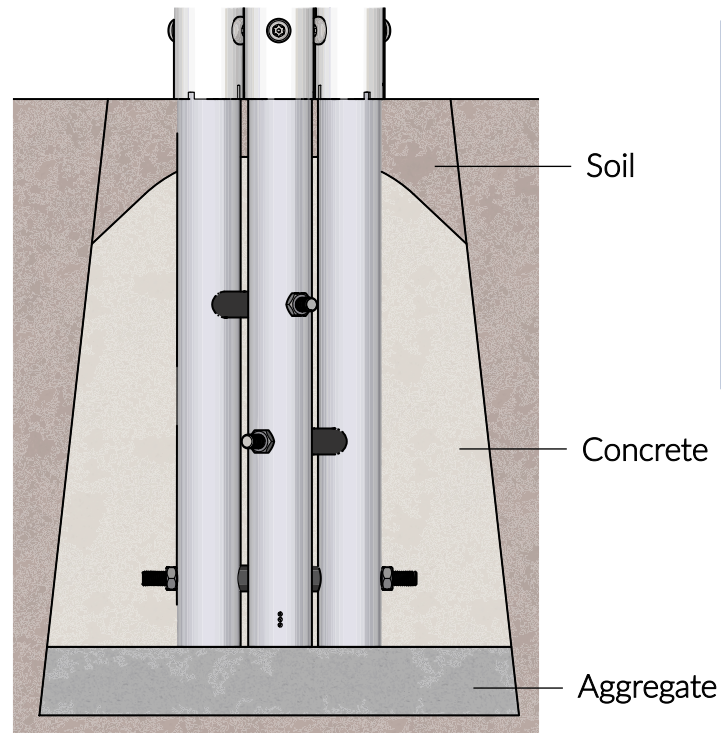
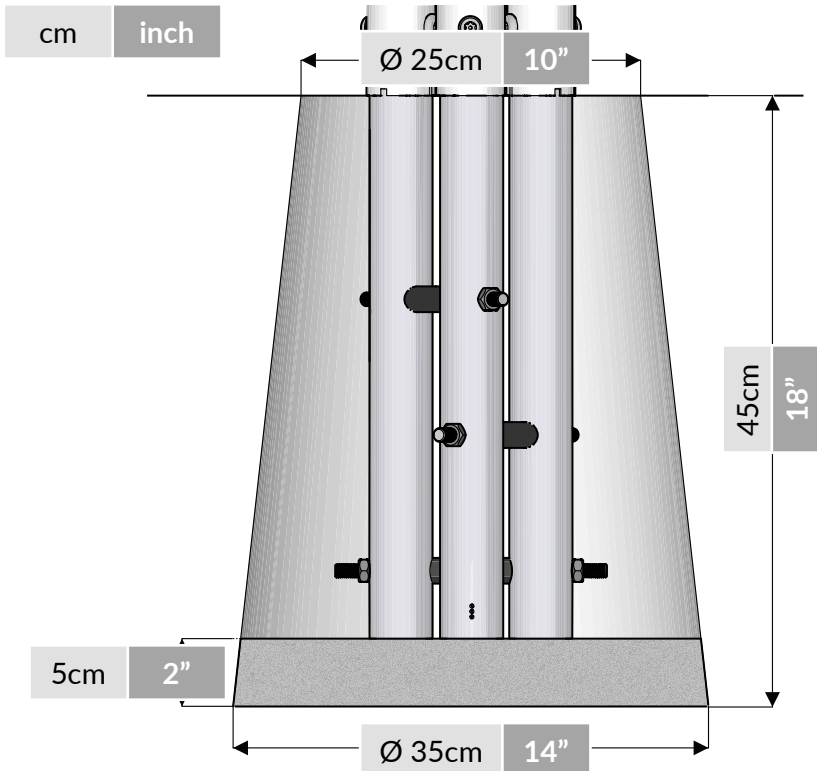
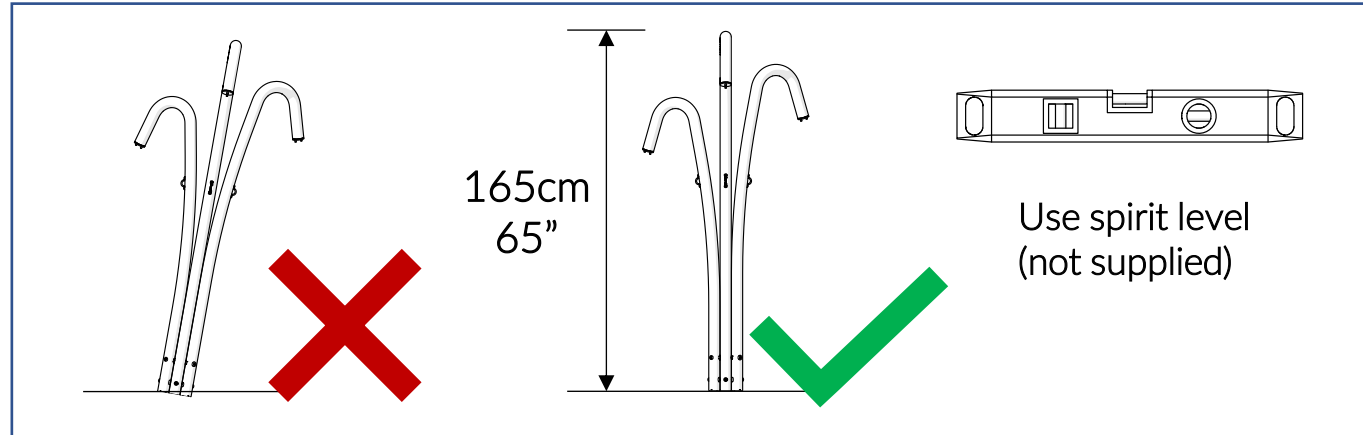


# 3.



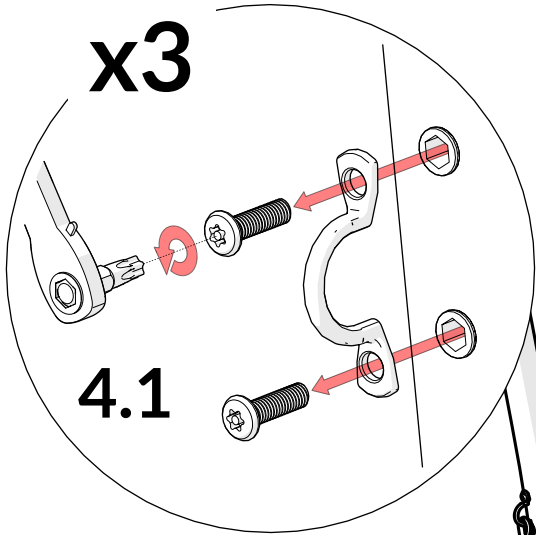
Foundations should not present a hazard

Refer to your local Health & Safety standards



606152

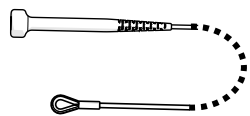

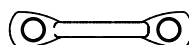
**4.** x3

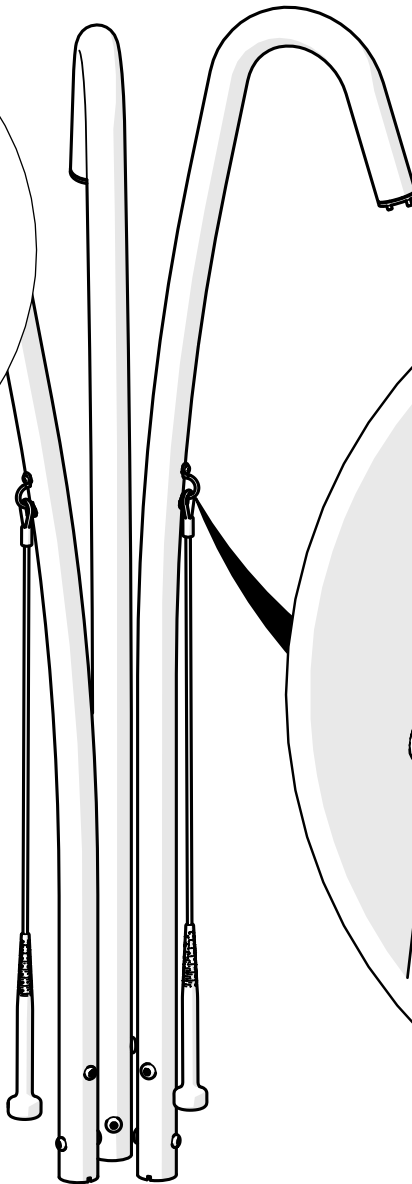


**4.1**



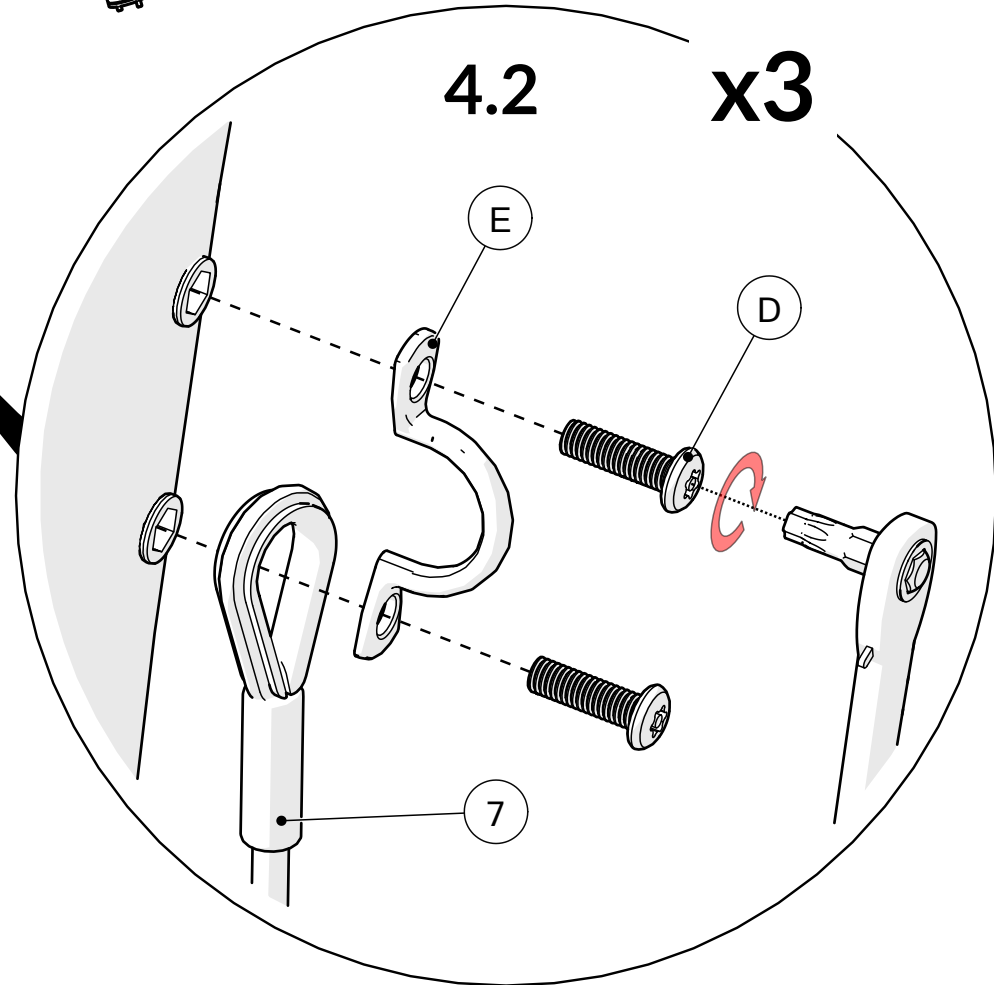
TX30

7		x3
D		x6
E		x3



**4.2**

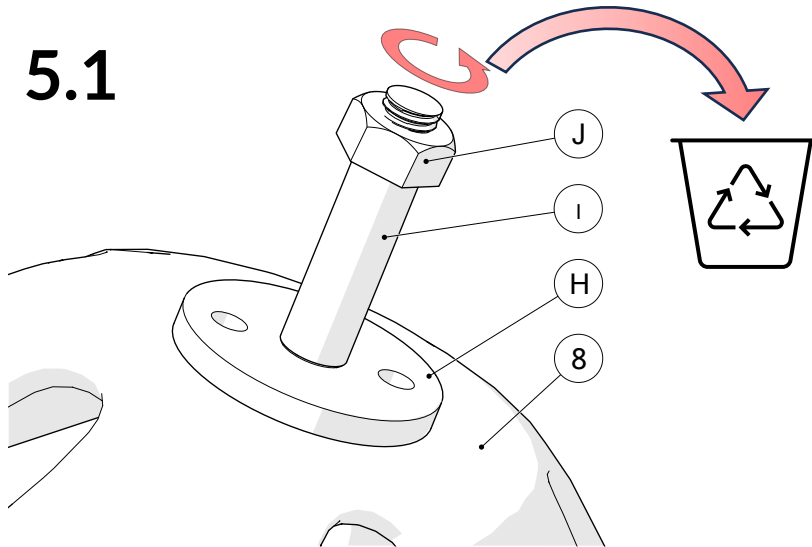
**x3**



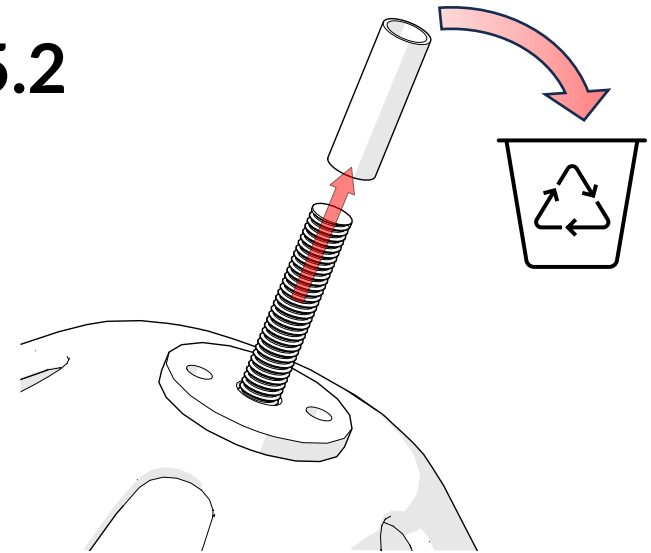
**5.**

**x3**

**5.1**

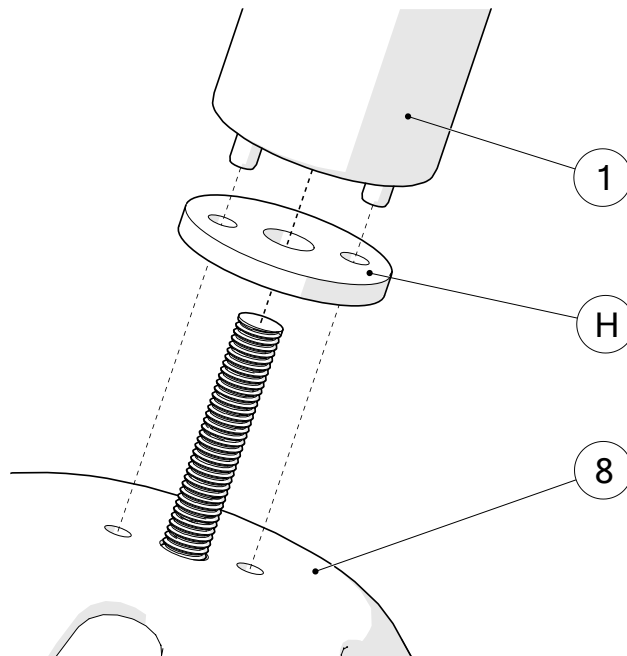


**5.2**

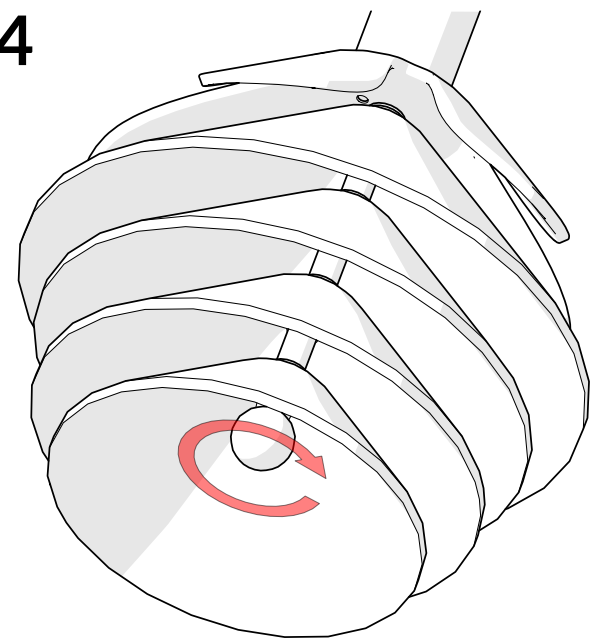


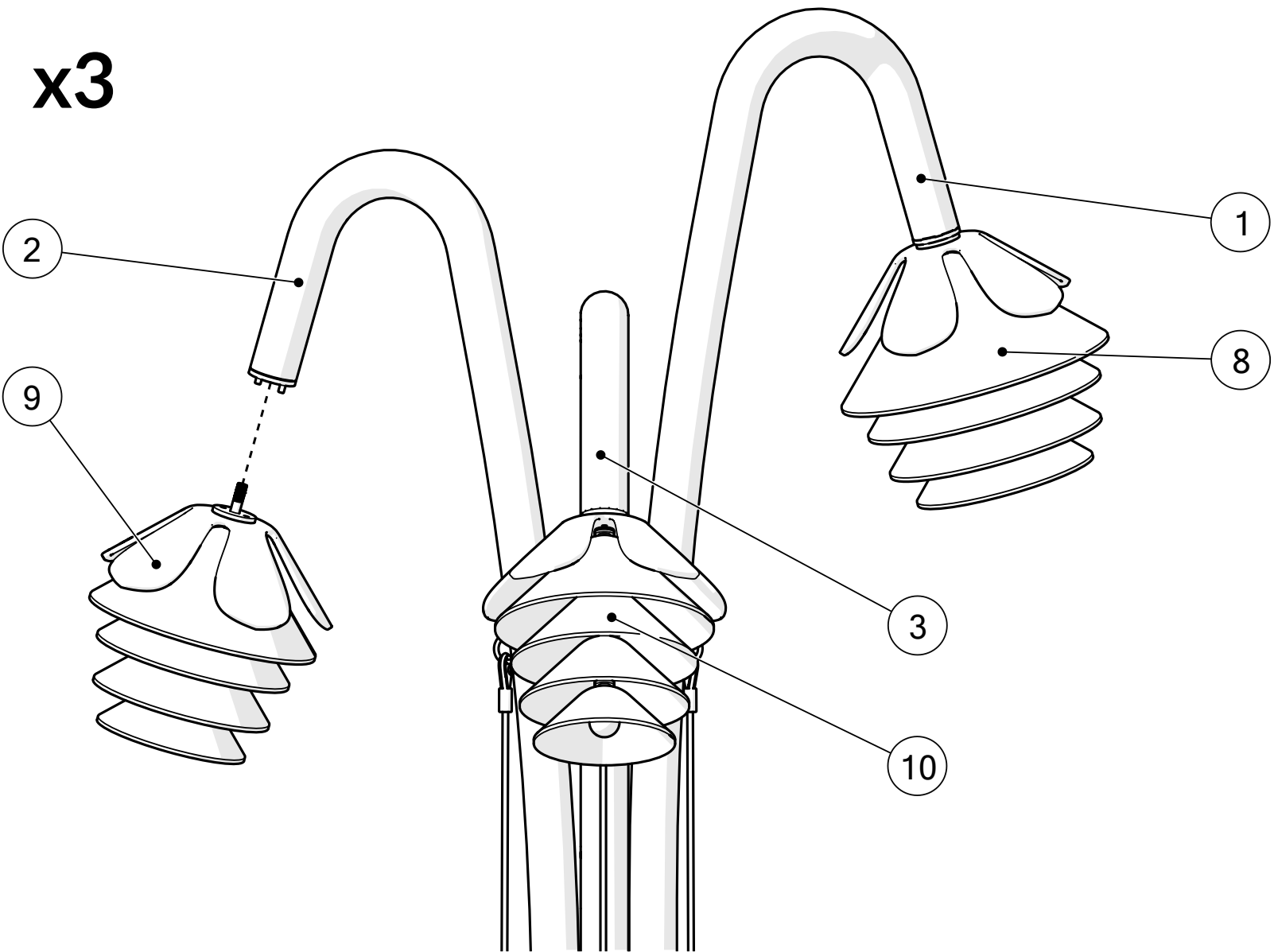
**5.3**

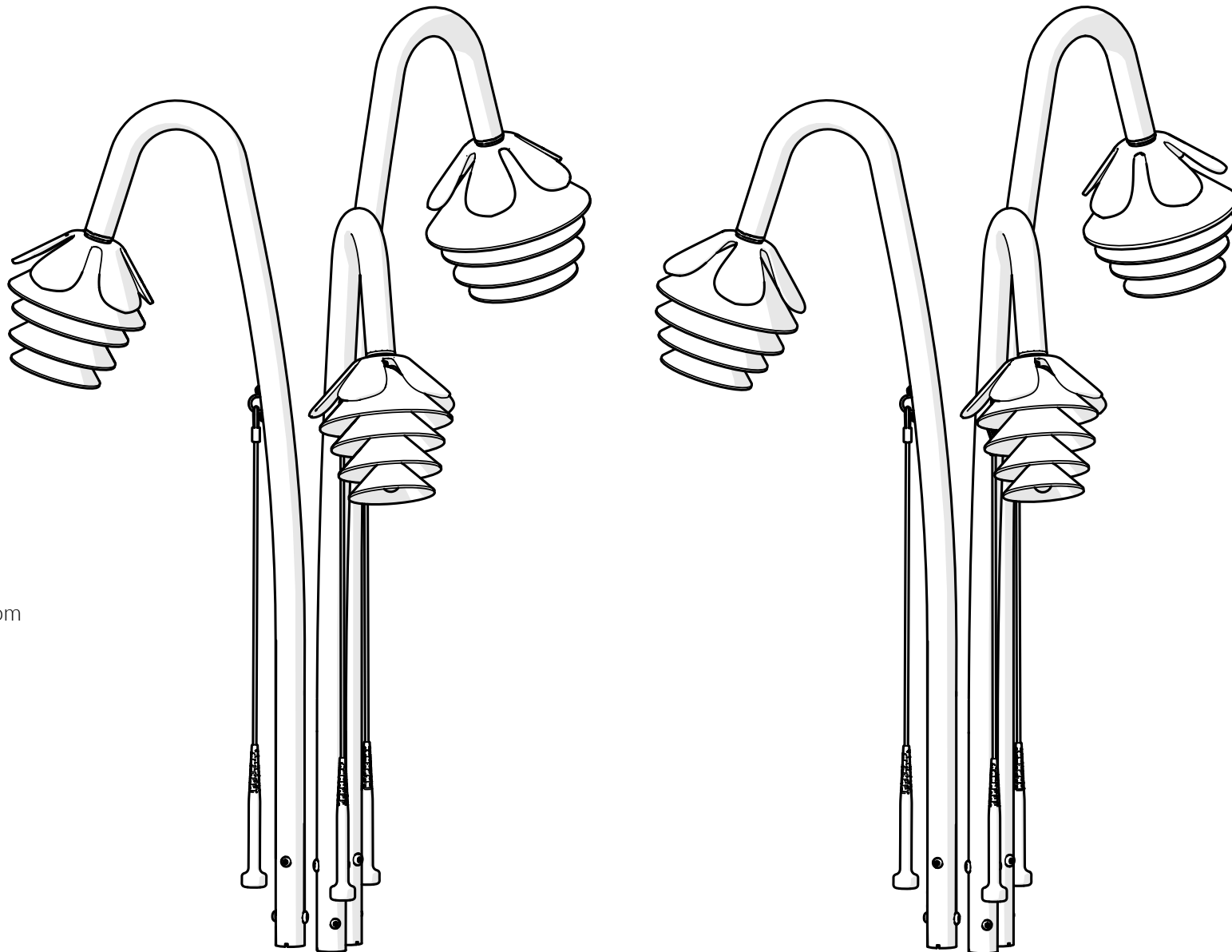
H		x3
I		x3
J		x3



**5.4**







[percussionplay.com](http://percussionplay.com)



[info@percussionplay.com](mailto:info@percussionplay.com)



UK  
[01730 235 180](tel:+441730235180)

USA & CAN  
[+1 \(866\) 882 9170](tel:+18668829170)

EUR & ROW  
[+44 1730 235 180](tel:+441730235180)