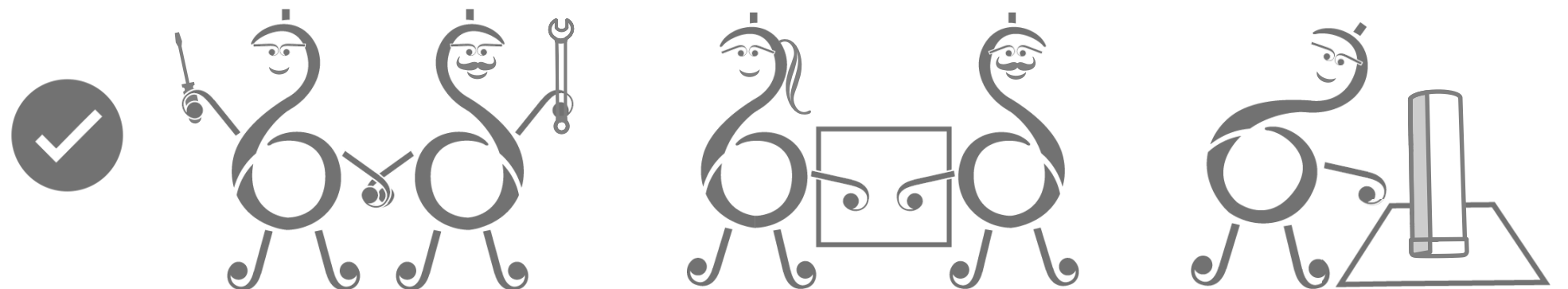
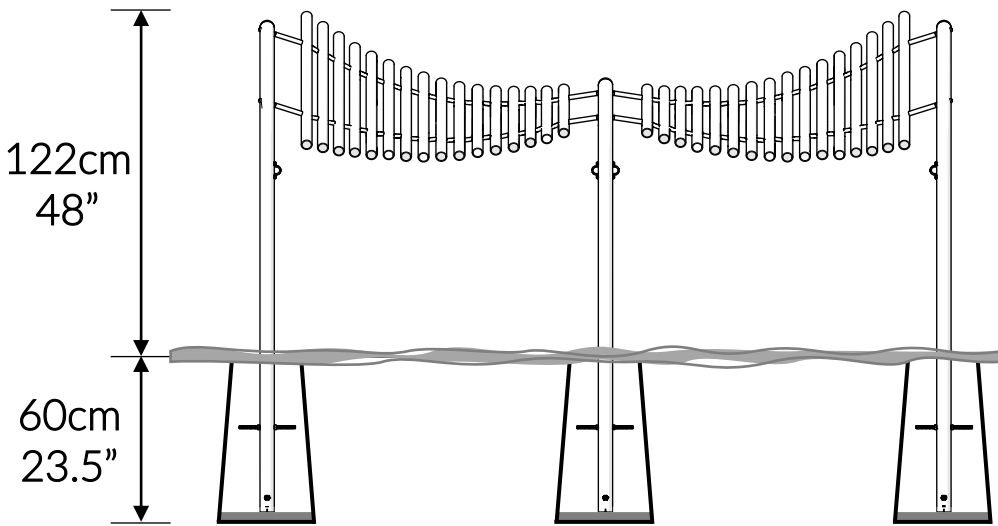
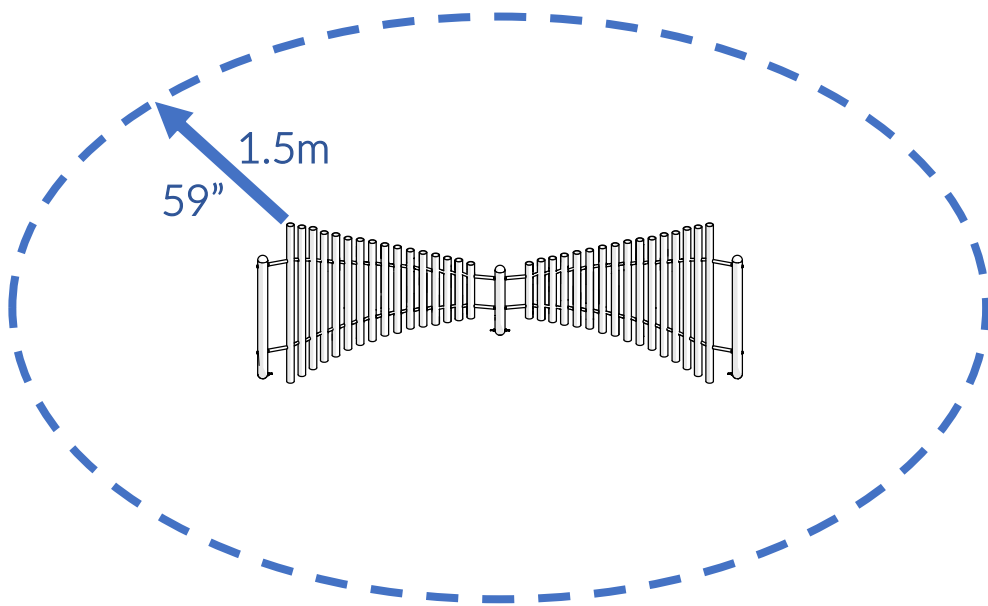


Part Reference	Description
PP-PAPI-GR	Papilio (Ground Fix)

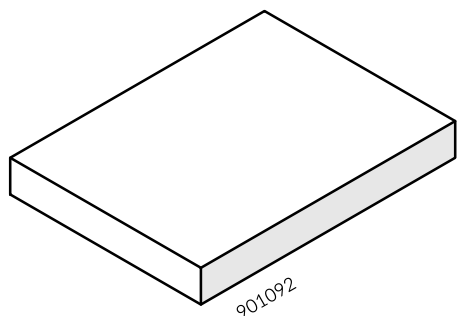




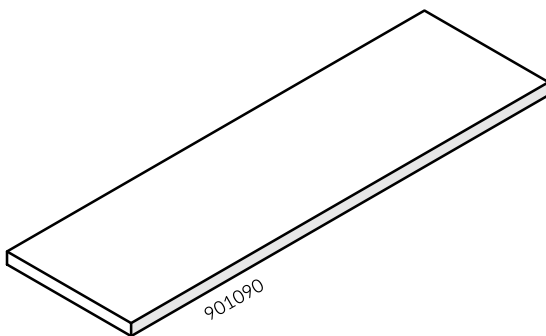


Check Risk Assessment

Packages



x1

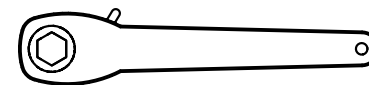


x1

		L	W	H	Weight	Net
x1	901092	120cm / 47"	90cm / 35.5"	15cm / 6"	30kg / 66lbs	
x1	901090	185cm / 73"	55cm / 21.5"	5cm / 2"	15kg / 33lbs	

Tools required (not supplied)

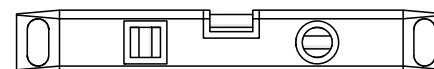
¼" Bit Driver Ratchet



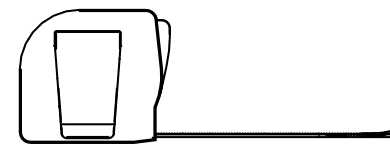
11/16" / 17mm Spanner



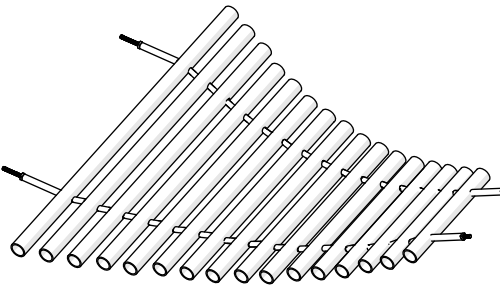
Spirit level



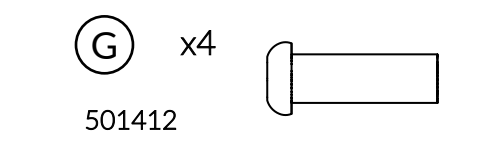
Tape Measure



901092

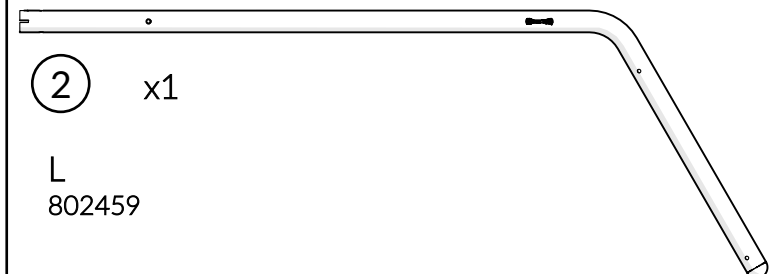


① x2




① G x4
501412


901090



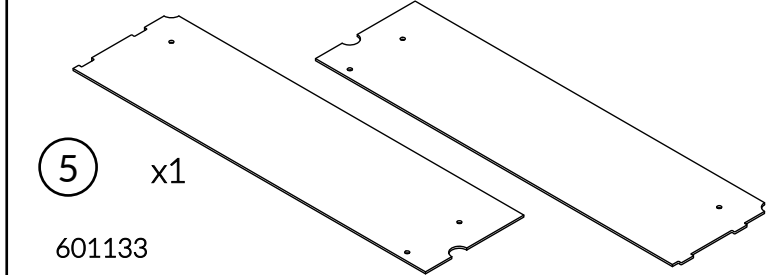
② x1
L
802459



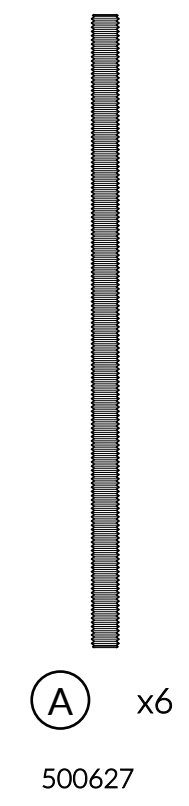
③ x1
R
802460



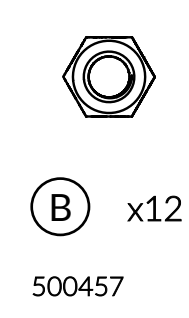
④ x1
802461



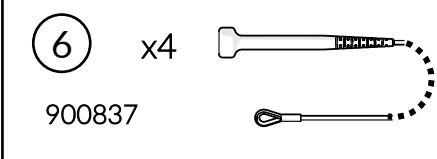
⑤ x1
601133



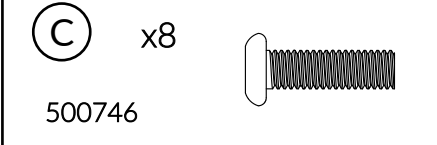
① A x6
500627



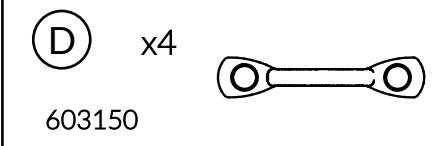
② B x12
500457




③ 6 x4
900837



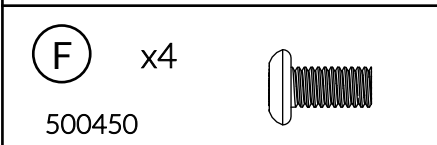
④ C x8
500746



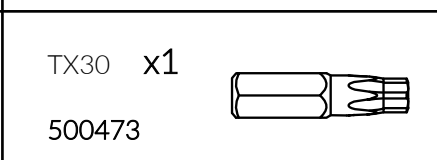
⑤ D x4
603150



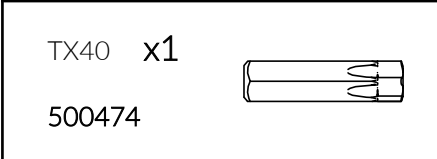
⑥ E x4
500676



⑦ F x4
500450

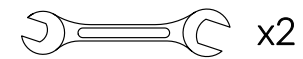
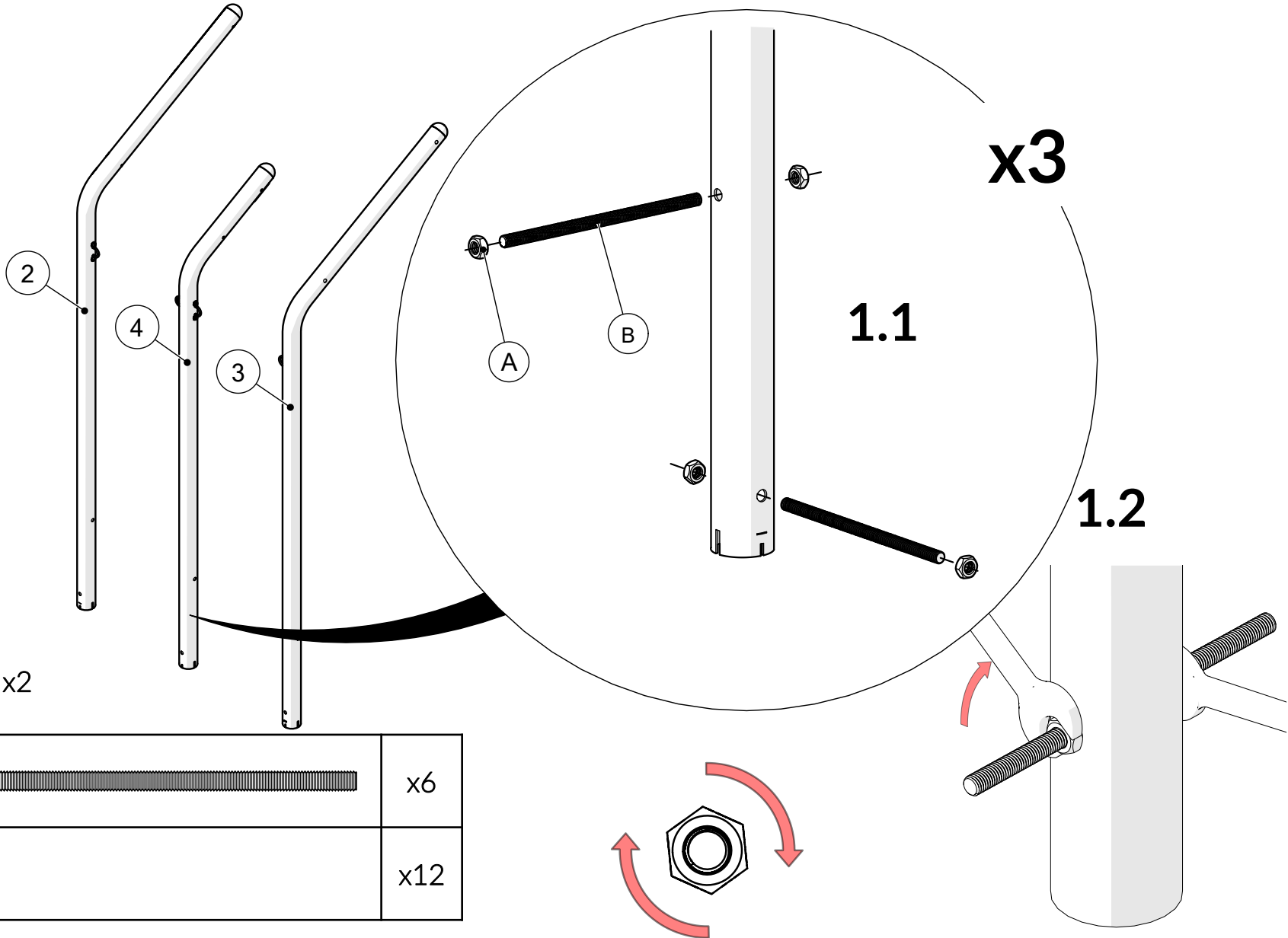



TX30 x1
500473



TX40 x1
500474

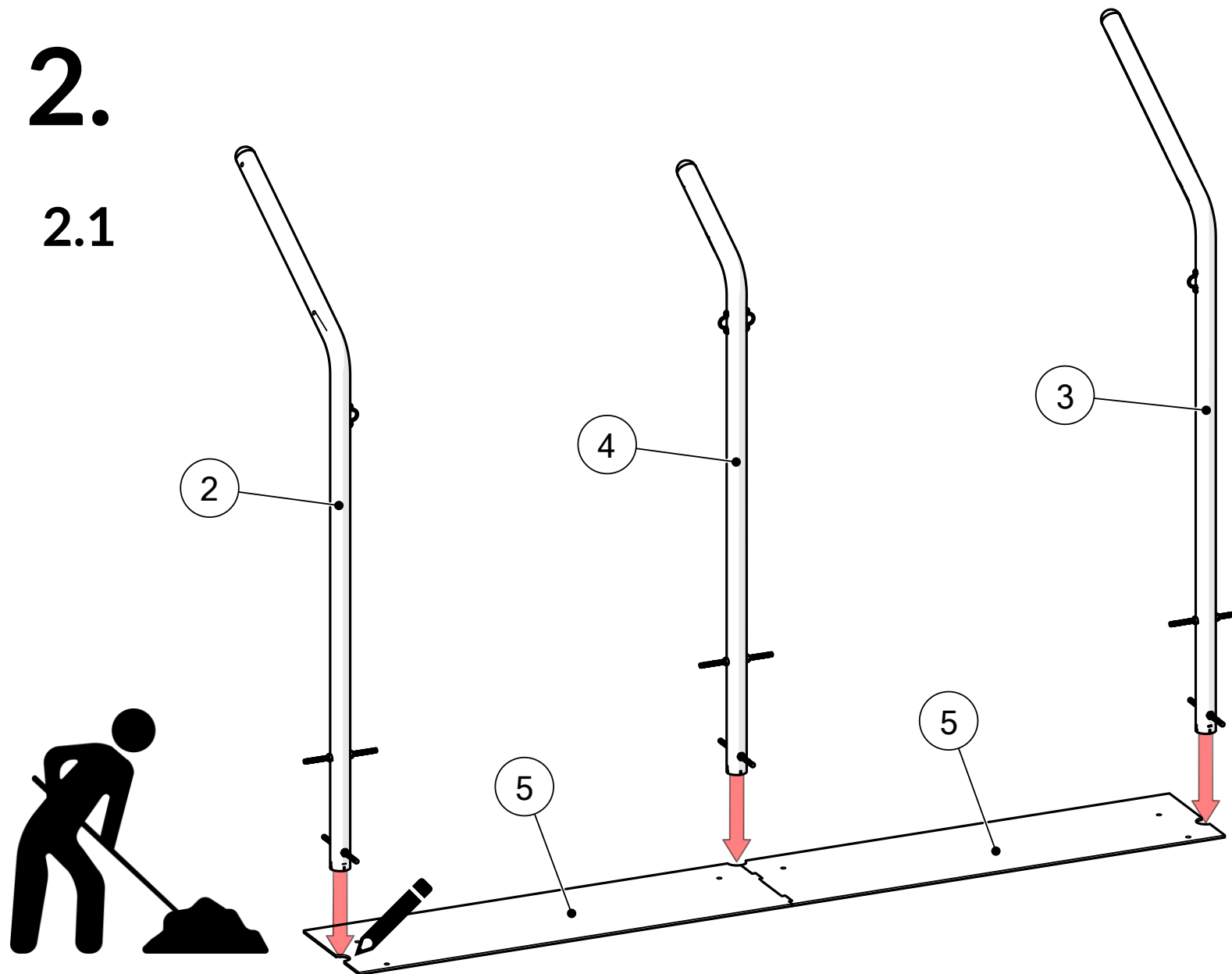
1.



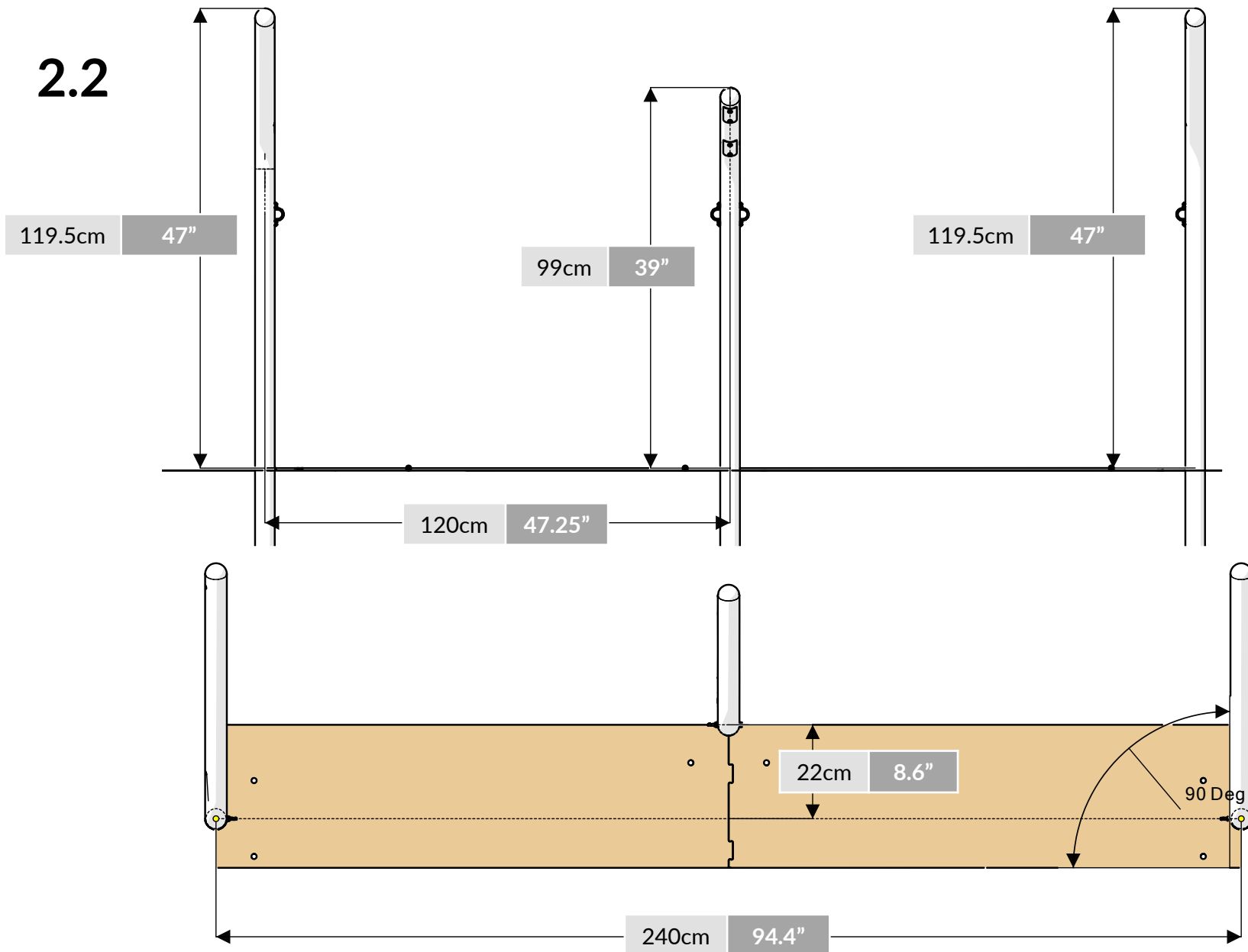
A		x6
B		x12

2.

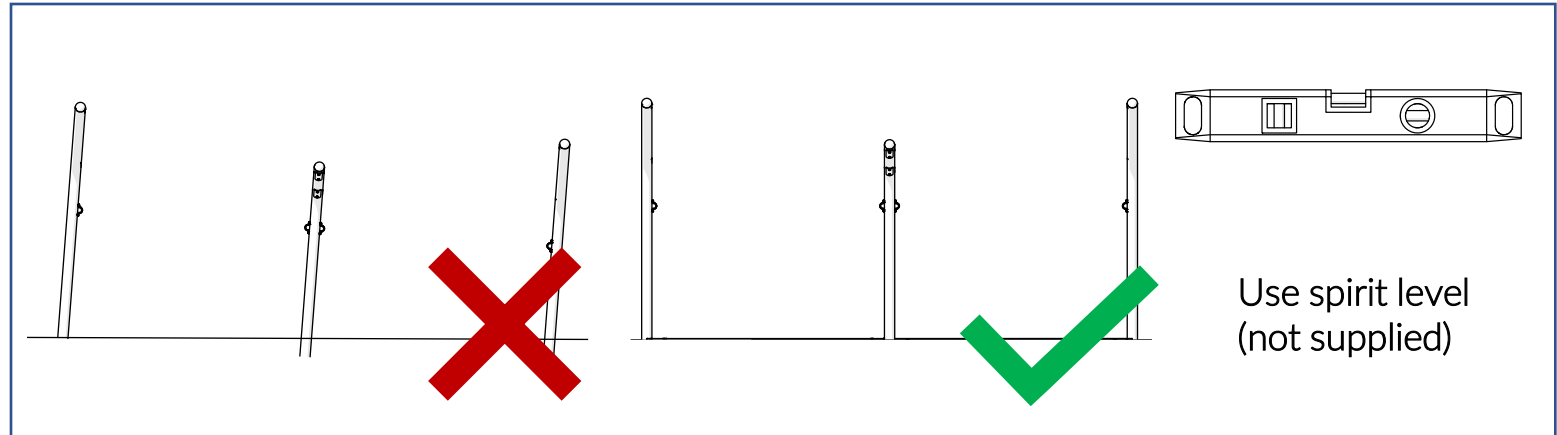
2.1



2.2

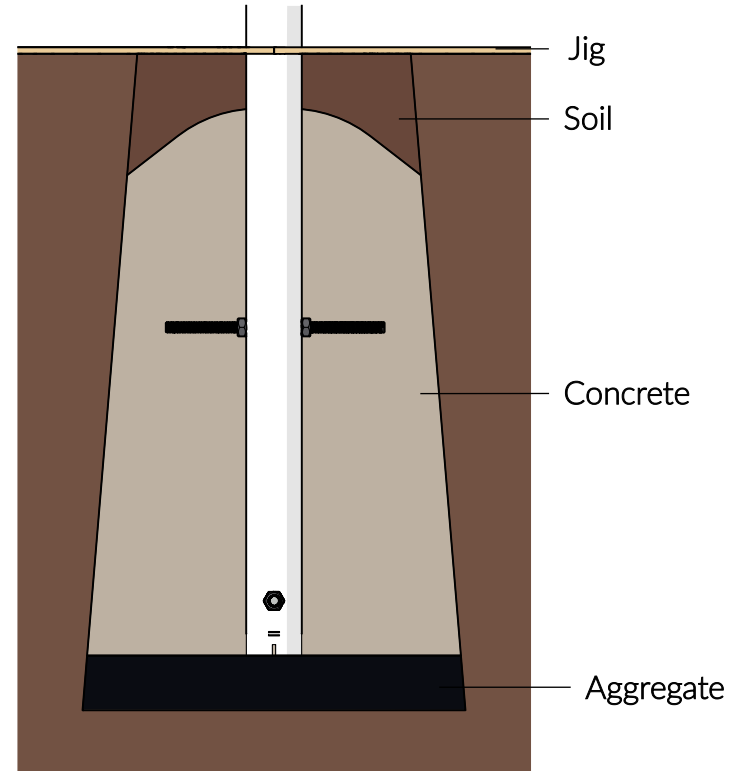
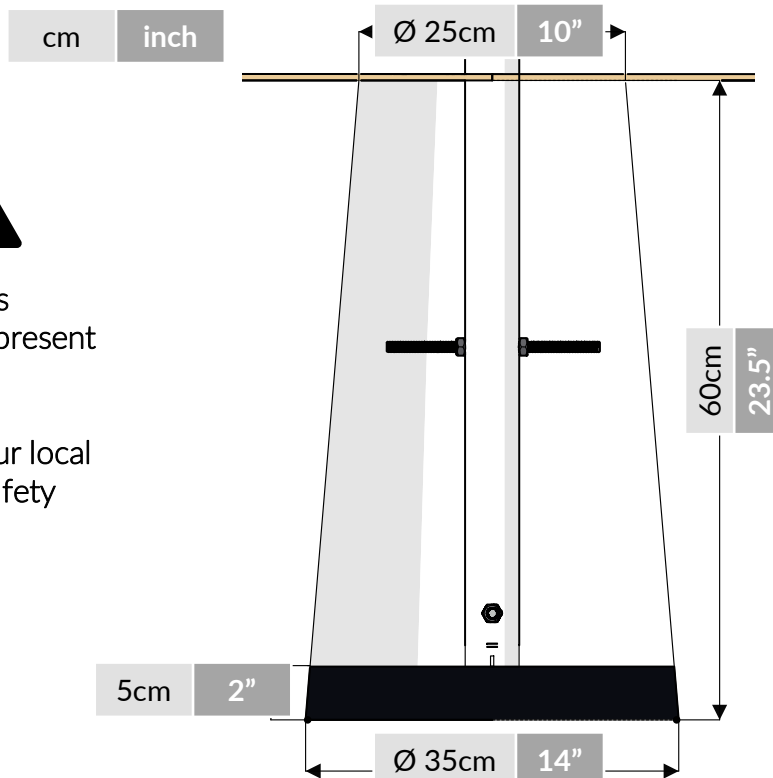


3. x3

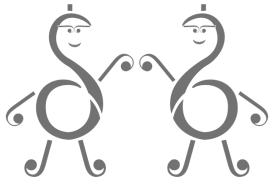


Foundations should not present a hazard

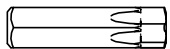
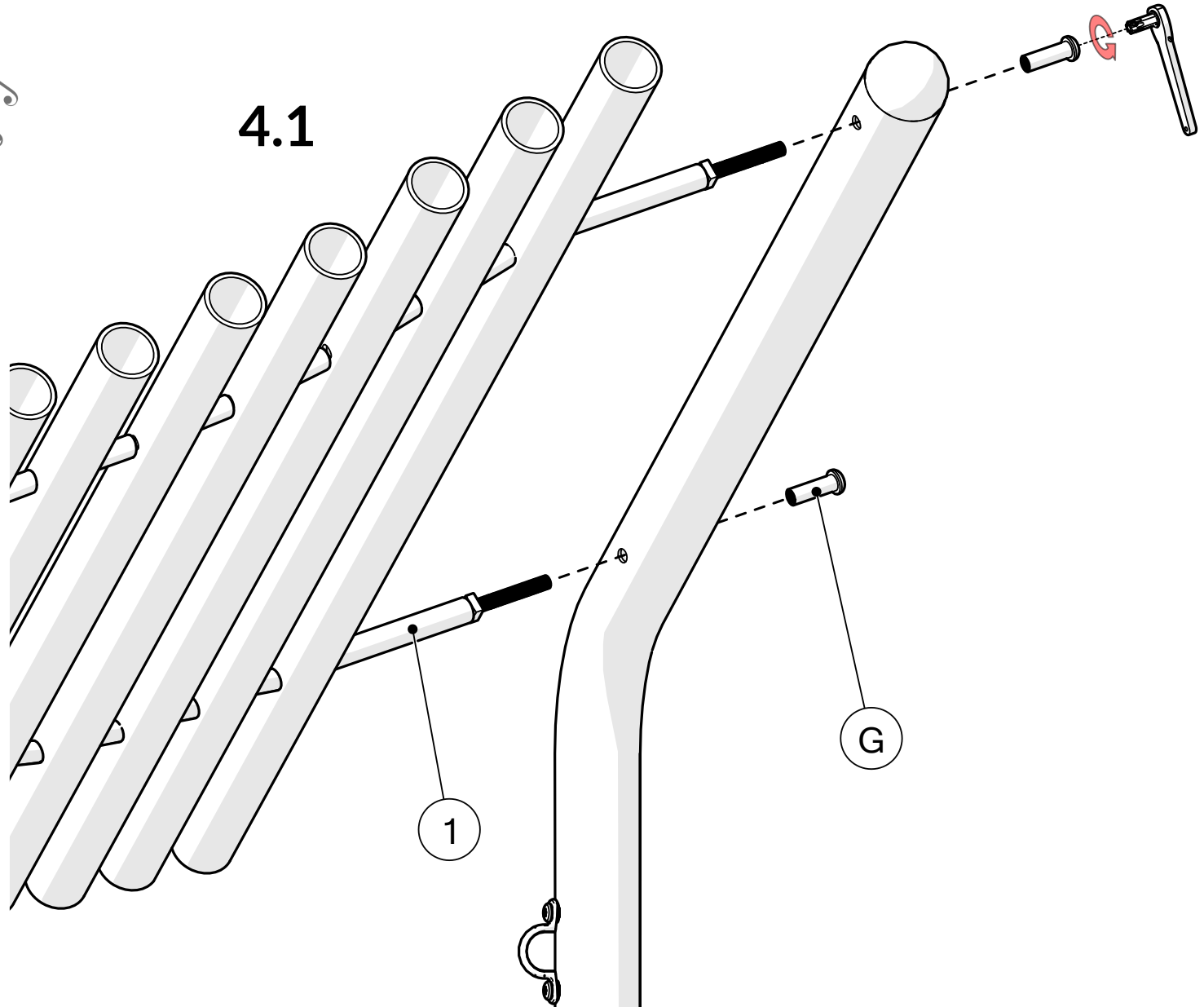
Refer to your local Health & Safety standards



4.

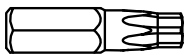
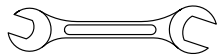
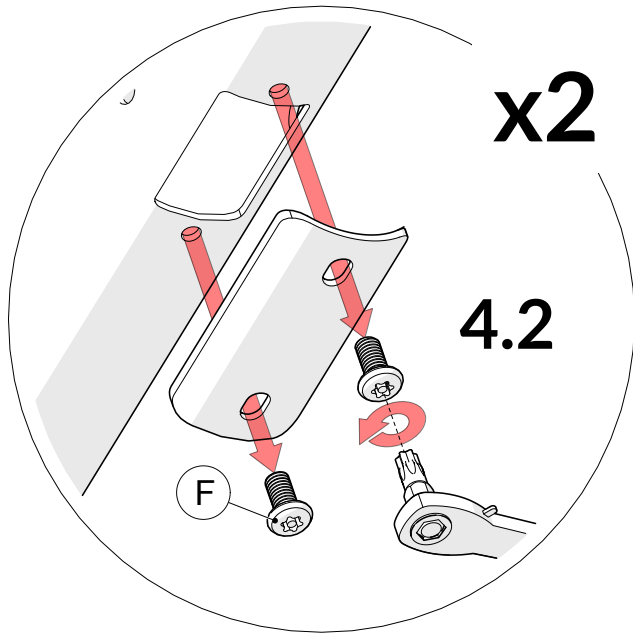


4.1

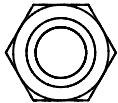
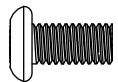


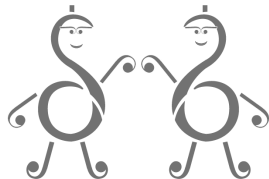
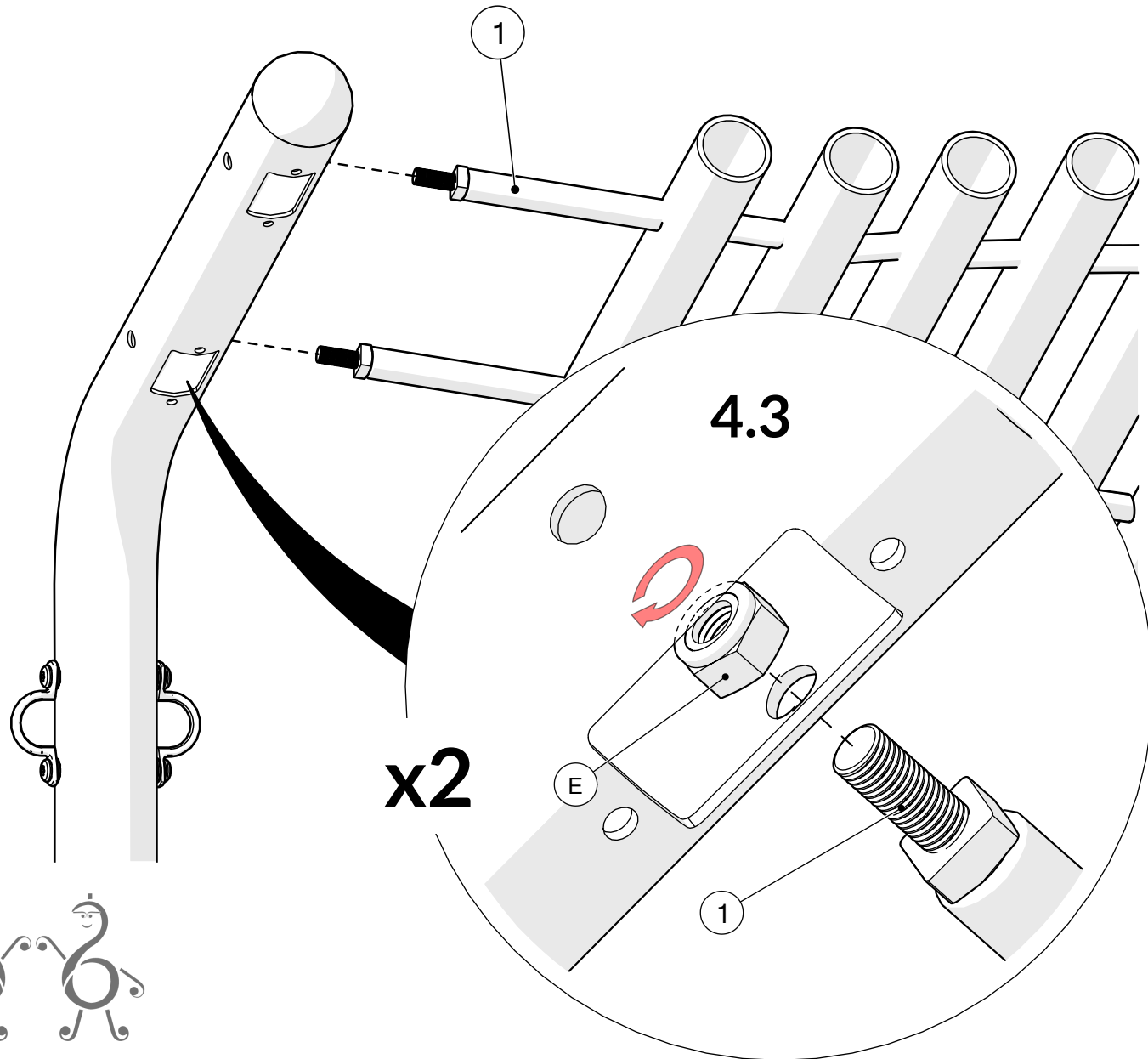
TX40

G		x2
---	--	----

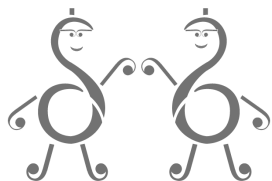


TX30

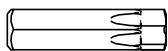
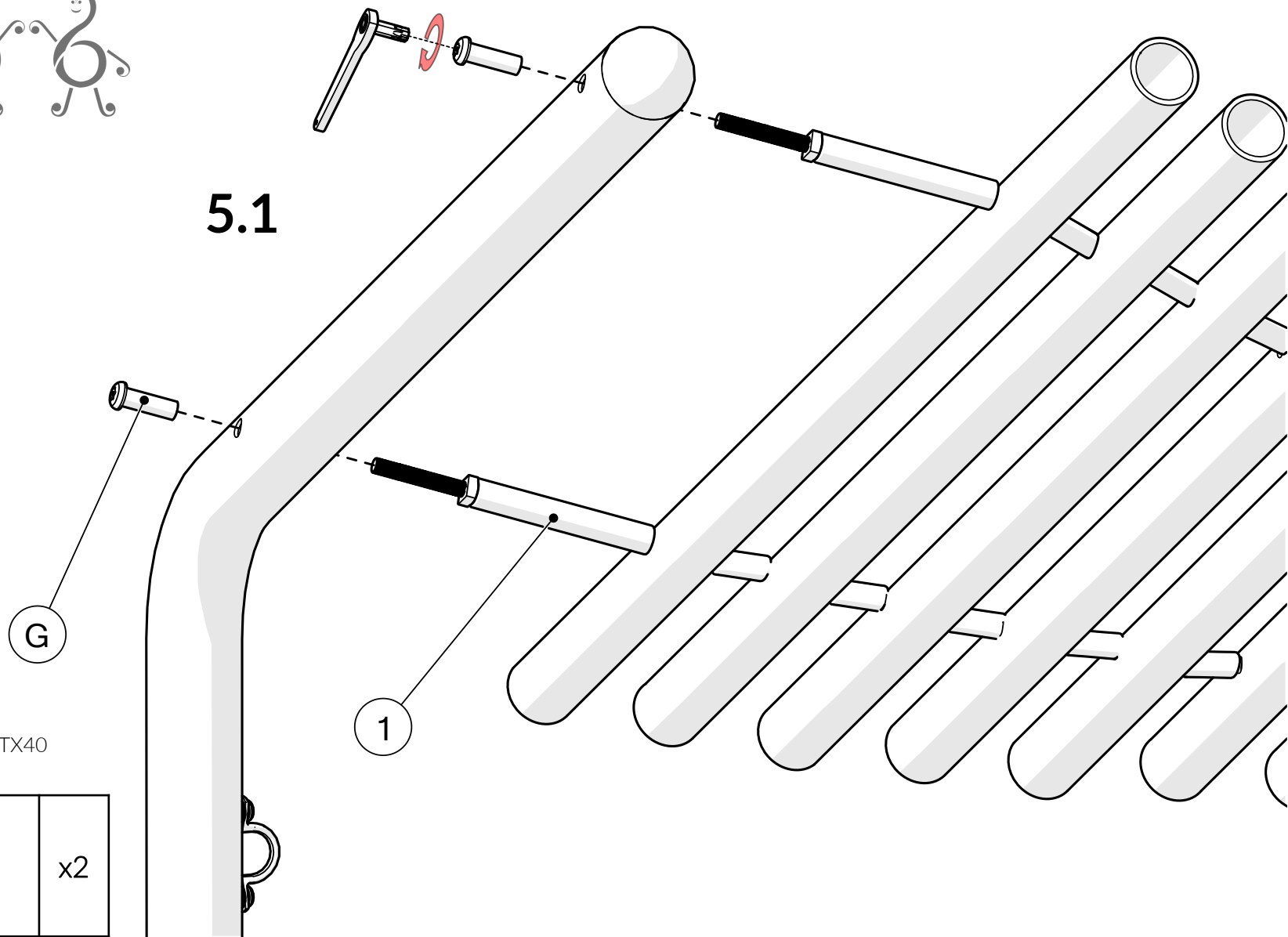
E		x2
F		x4



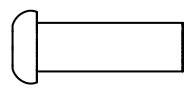
5.

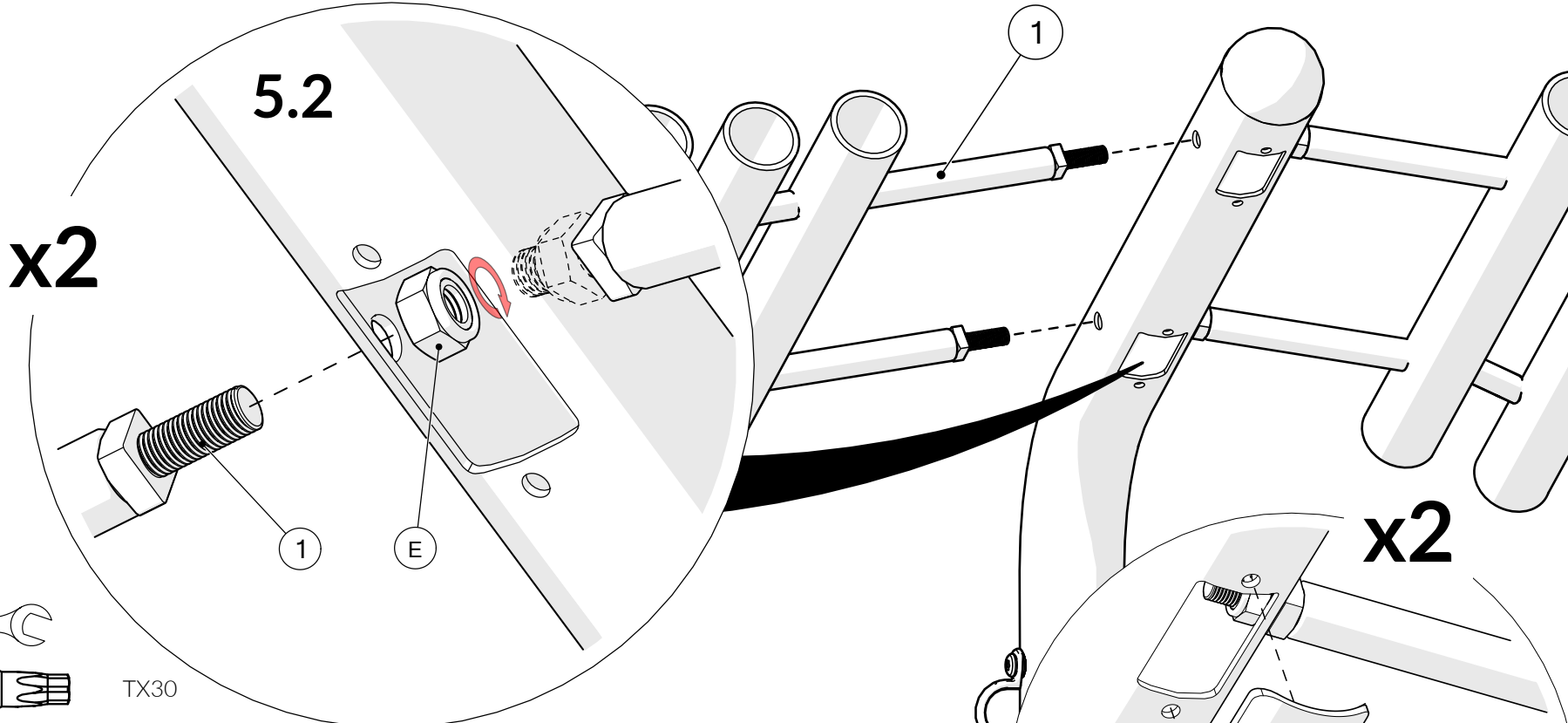


5.1



TX40

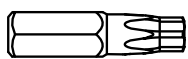
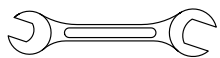
G		x2
---	---	----



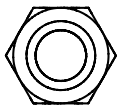
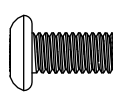
x2

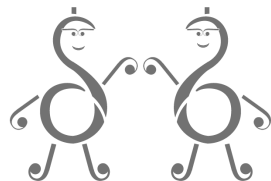
x2

5.3

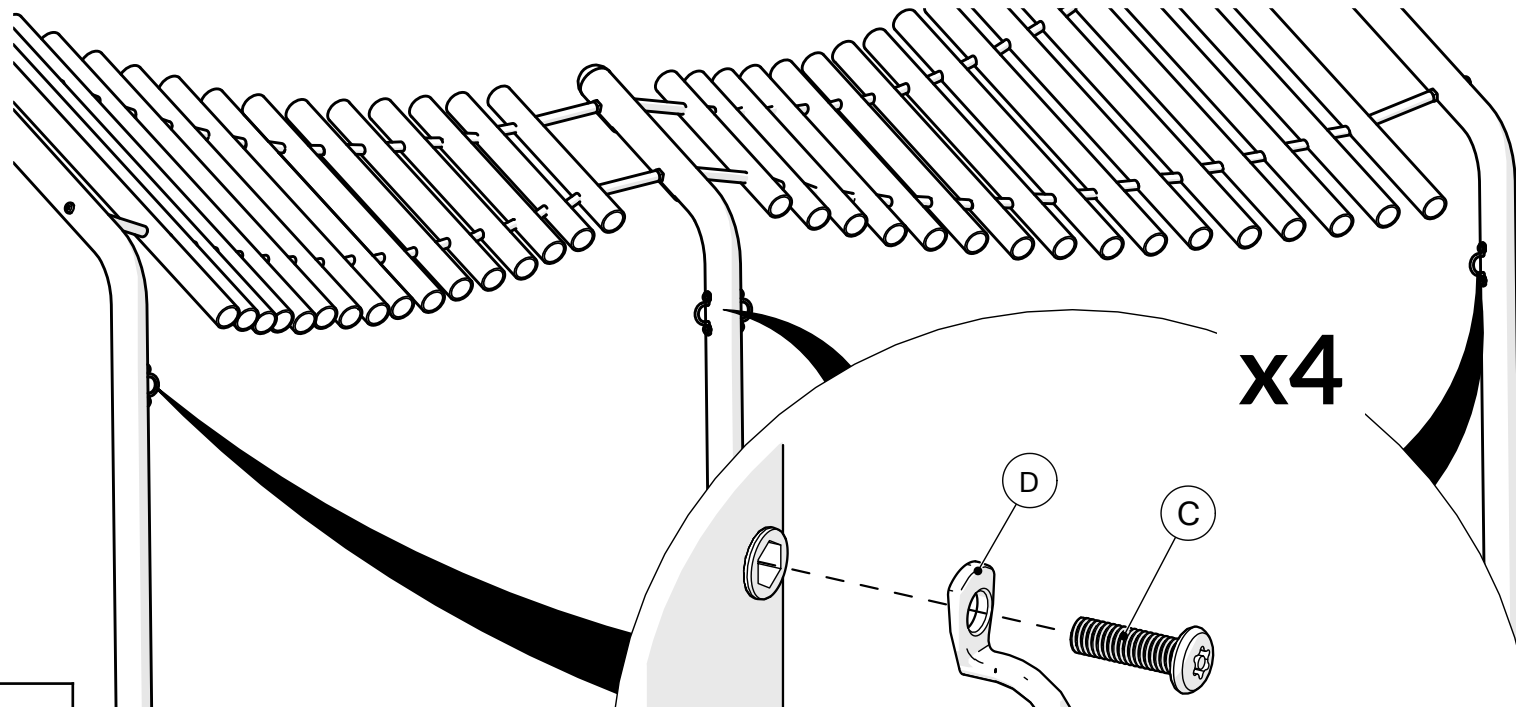


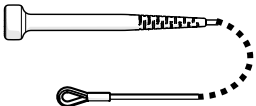
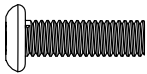
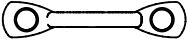
TX30

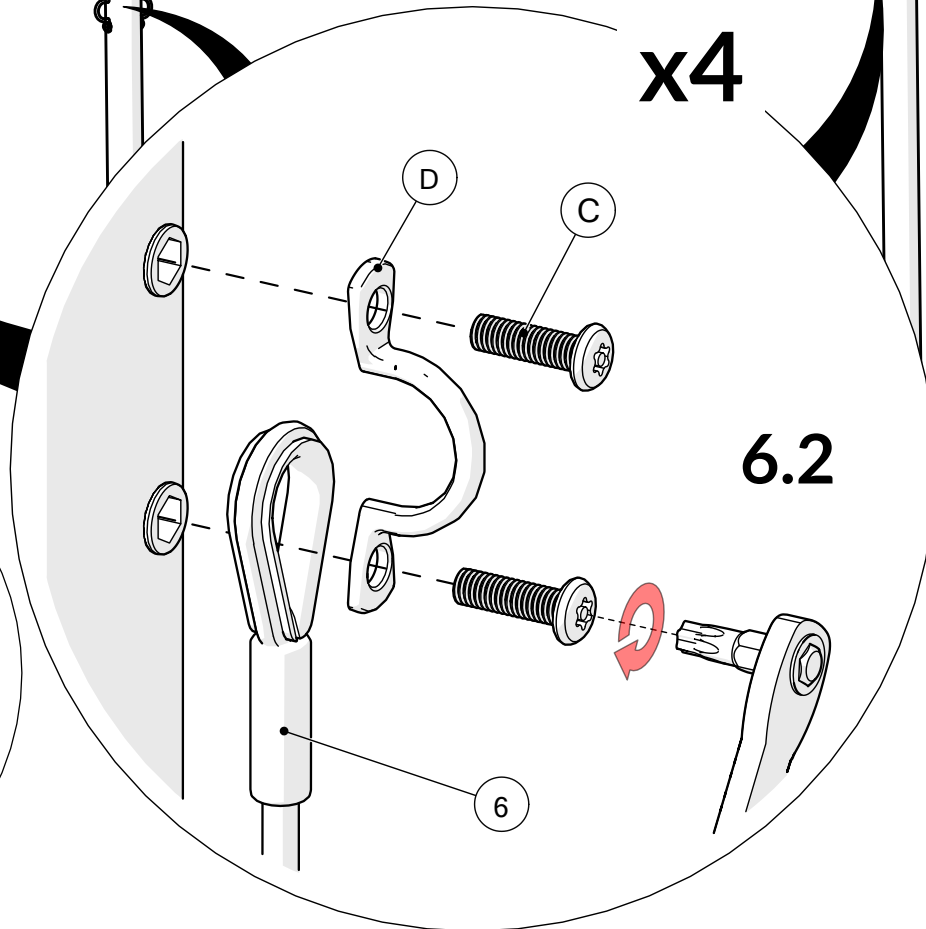
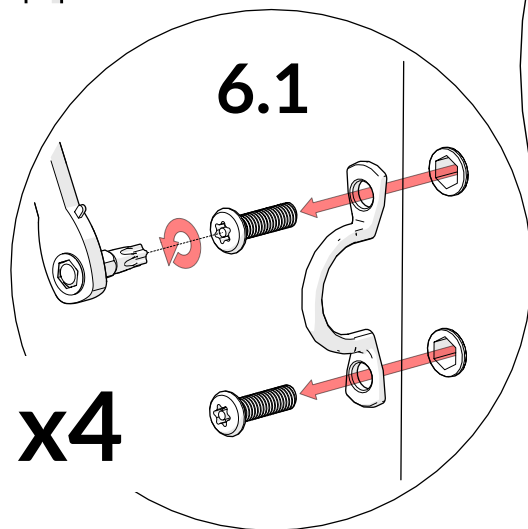
E		x2
F		x4

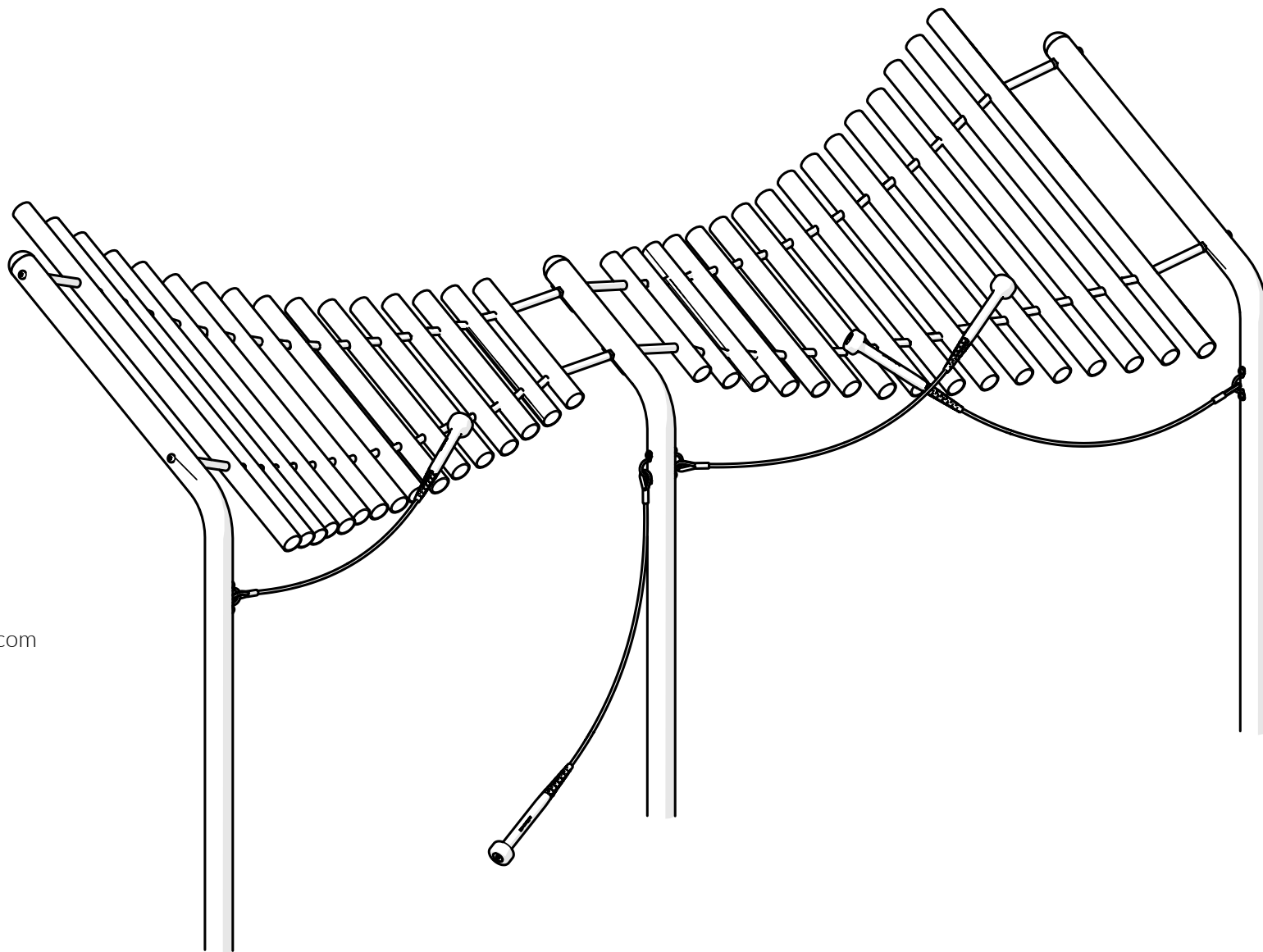


6.



6		x4
C		x8
D		x4





percussionplay.com



info@percussionplay.com



UK
[01730 235 180](tel:01730235180)

USA & CAN
[+1 \(866\) 882 9170](tel:+18668829170)

EUR & ROW
[+44 1730 235 180](tel:+441730235180)