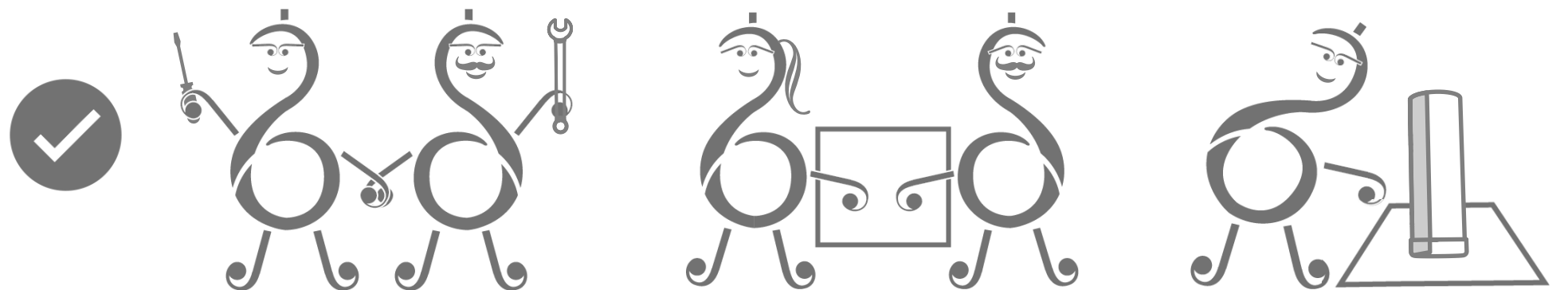
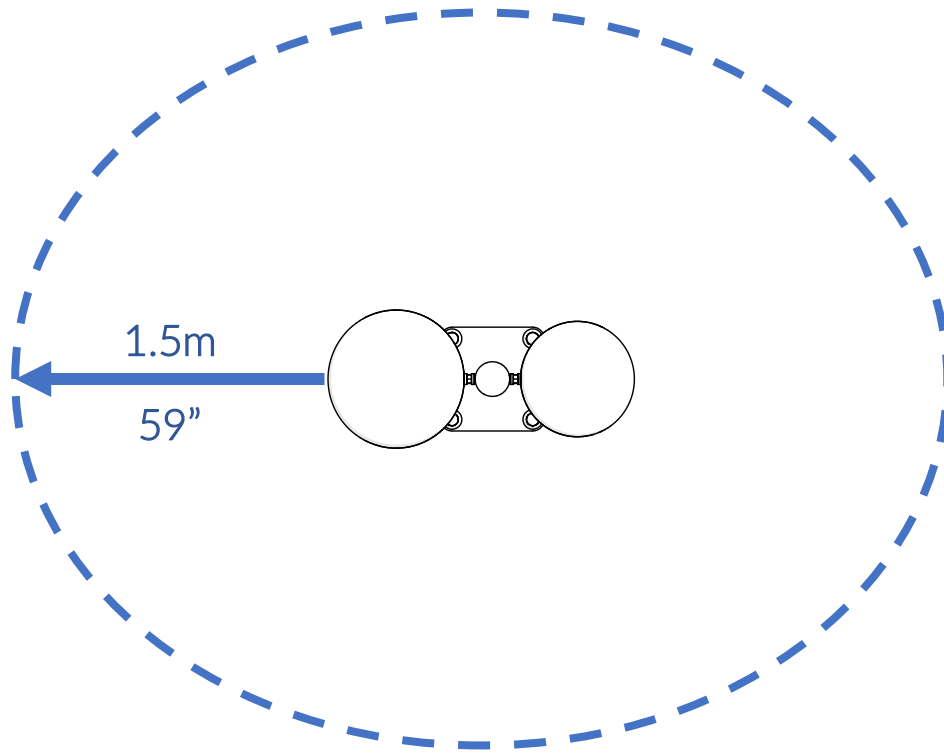


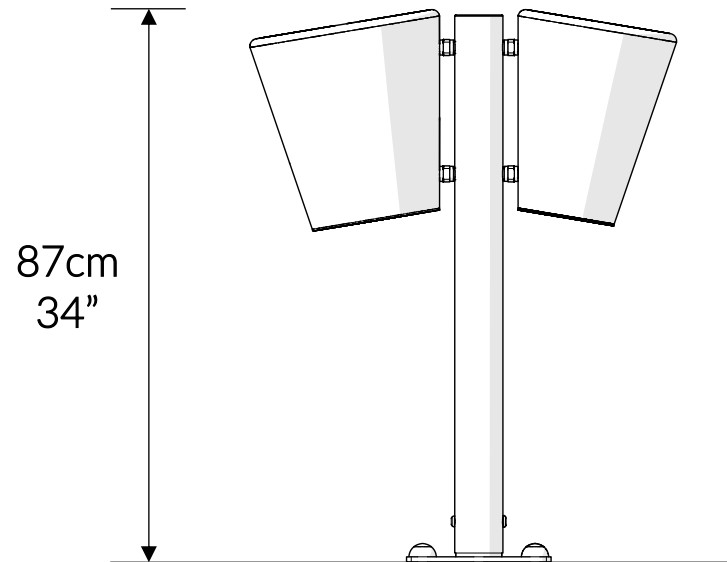
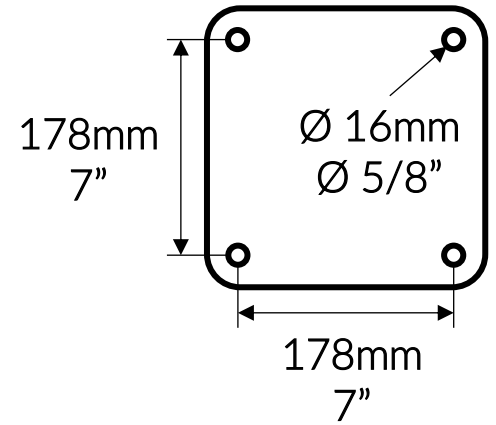
Part Reference	Description
PP-STCO-DUO-SF	Street Congas Duo (Surface Fix)



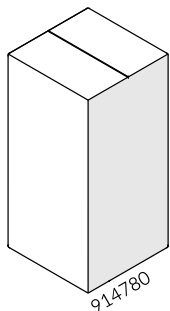




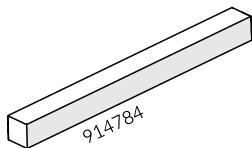
Check Risk Assessment



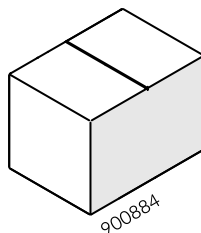
### Packages



x1



x1

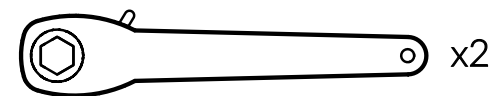


x1

		L	W	H	Weight	Net
x1	914780	77cm / 30"	37cm / 14.5"	37cm / 14.5"	21kg / 46lbs	
x1	914784	115cm / 45"	11cm / 4.5"	11cm / 4.5"	4kg / 9lbs	
x1	900884	32cm / 12.5"	23cm / 9"	23cm / 9"	6kg / 13lbs	

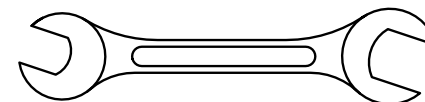
### Tools required (not supplied)

1/4" Bit Driver Ratchet

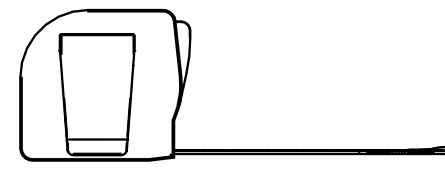


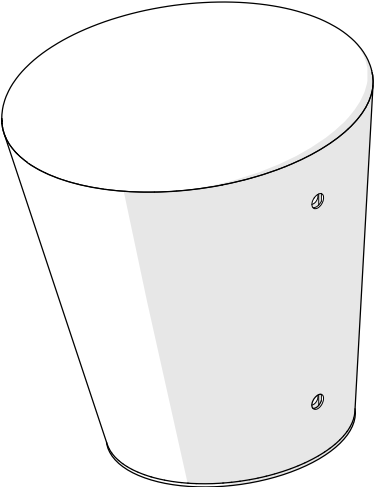
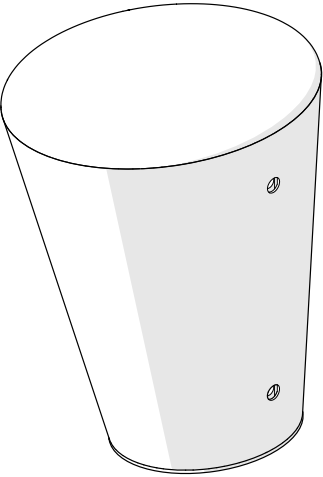
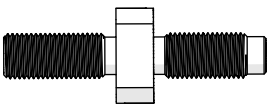
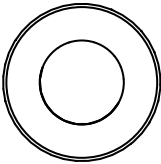
x2

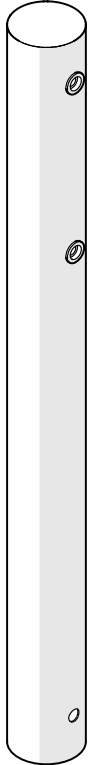
48/64" / 19mm Spanner

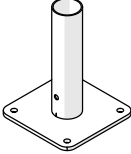

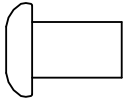





Tape Measure



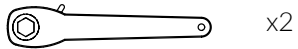
914780	
<p>① x1 814314</p> 	<p>② x1 814317</p> 
<p>⑤ x4 614102</p> 	<p>⑥ x8 614445</p> 

914784
<p>③ x1 814781</p> 

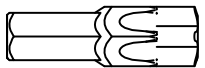
900884	
<p>④ x1 800878</p> 	
<p>① x1 500667</p> 	
<p>② x1 500613</p> 	
<p>③ x4 601543</p> 	
<p>④ x4 601542</p> 	
<p>TX45 x2 500720</p> 	

# 1.


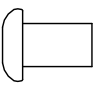
## 1.1

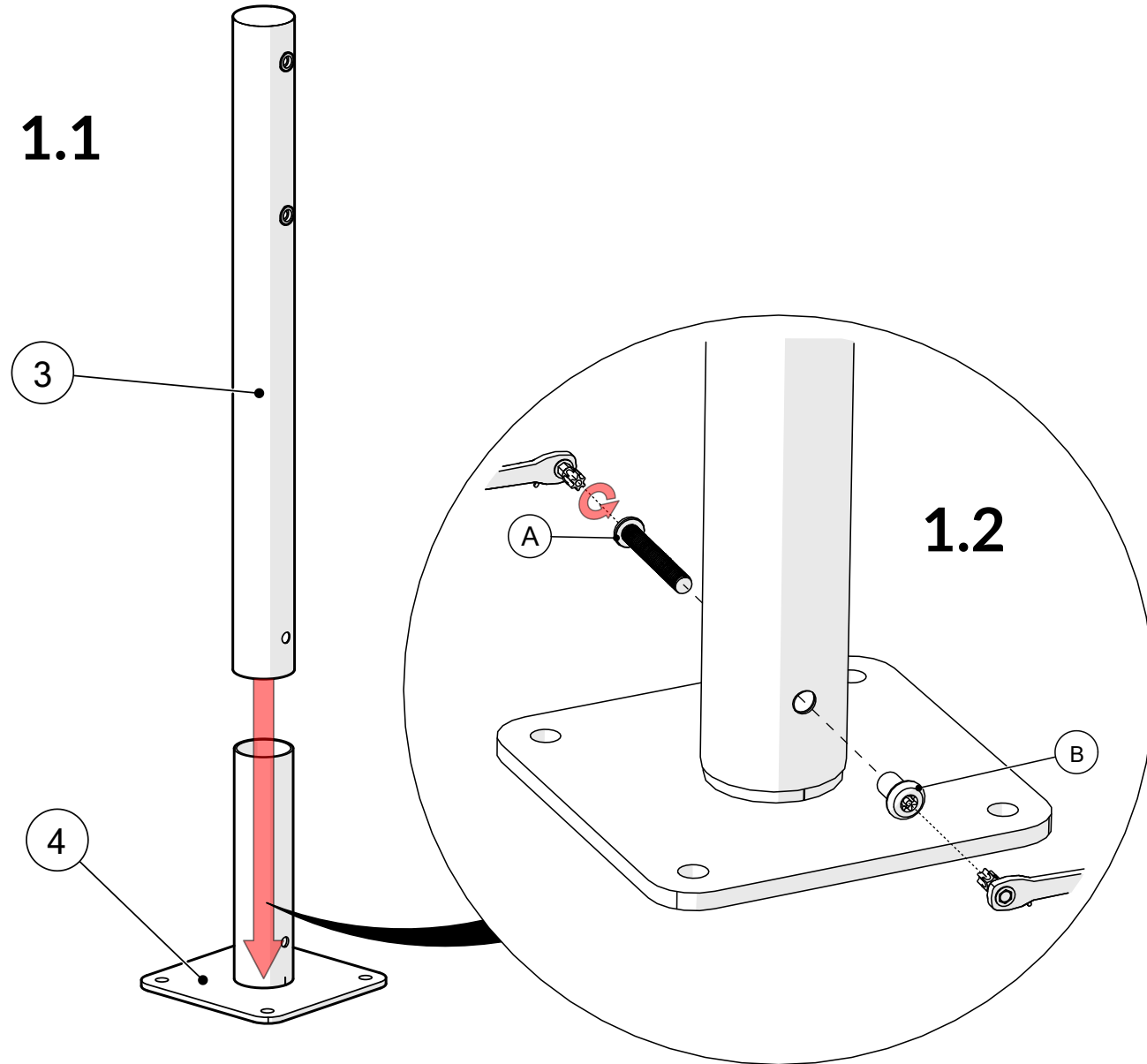


x2

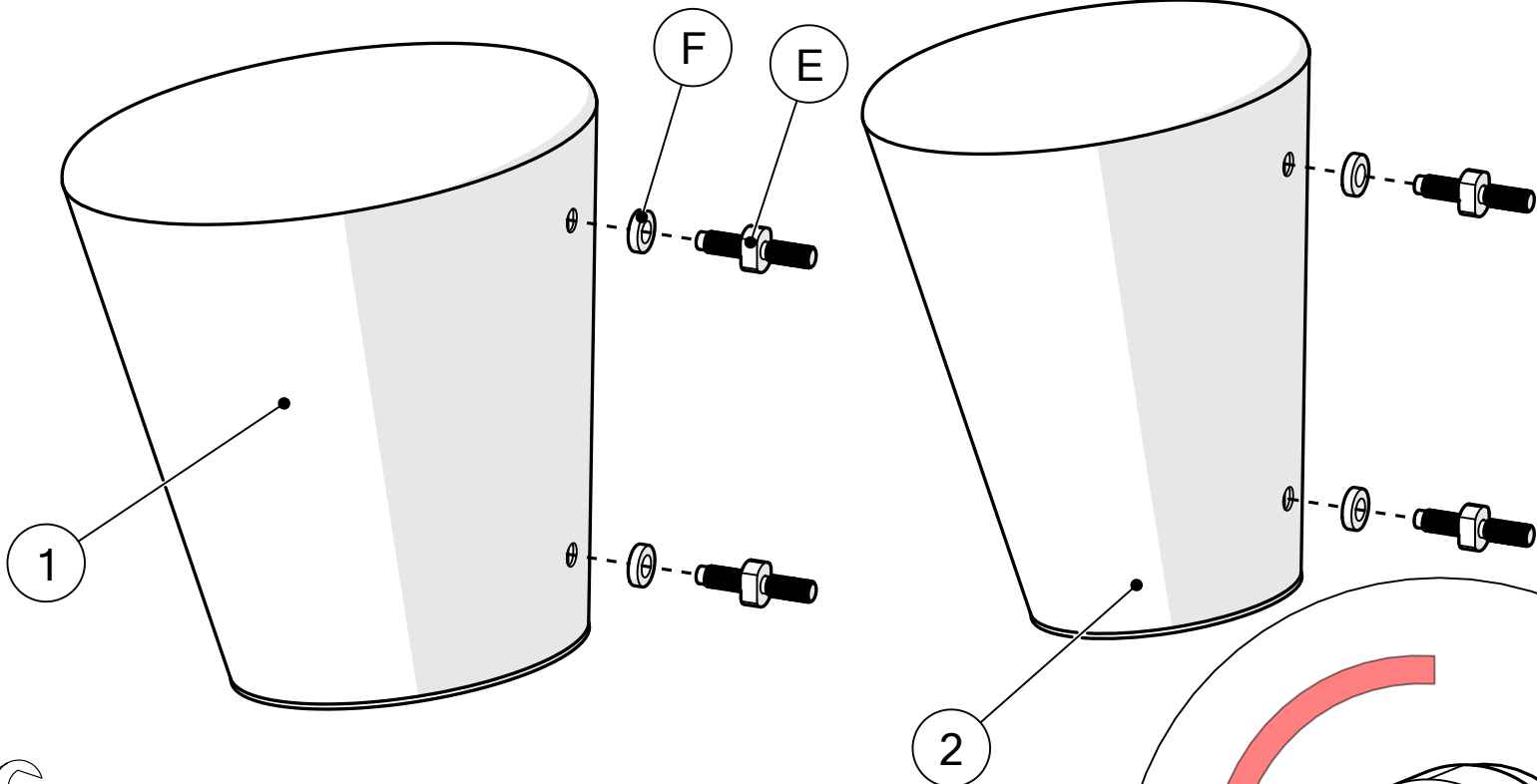


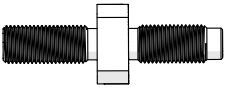
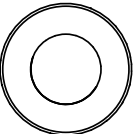
x2 TX45

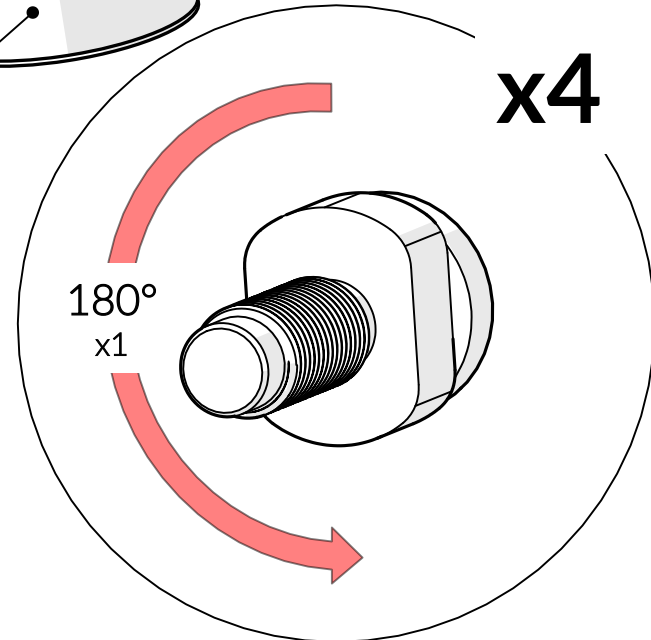
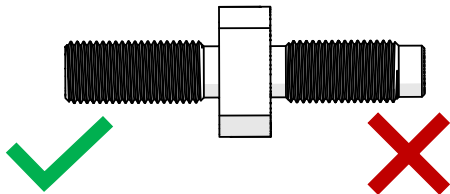
A		x1
B		x1



2.

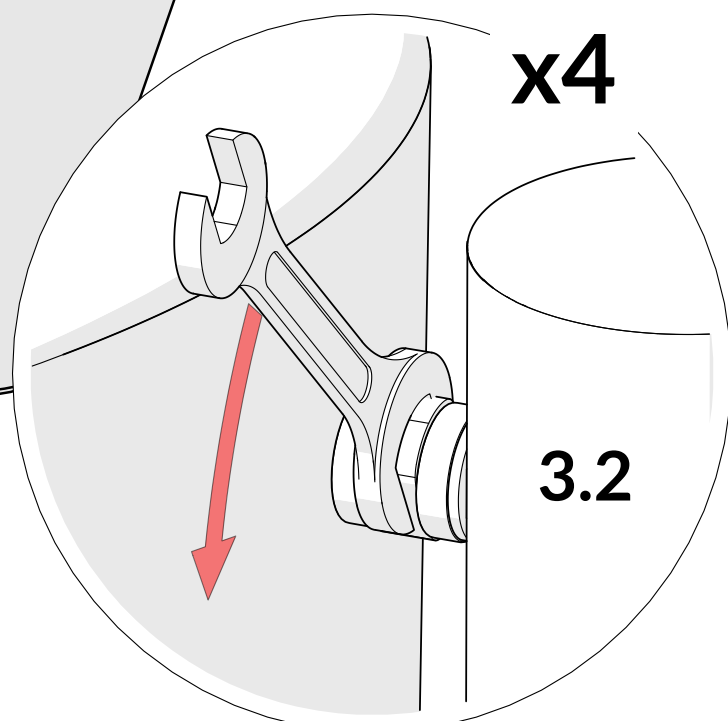
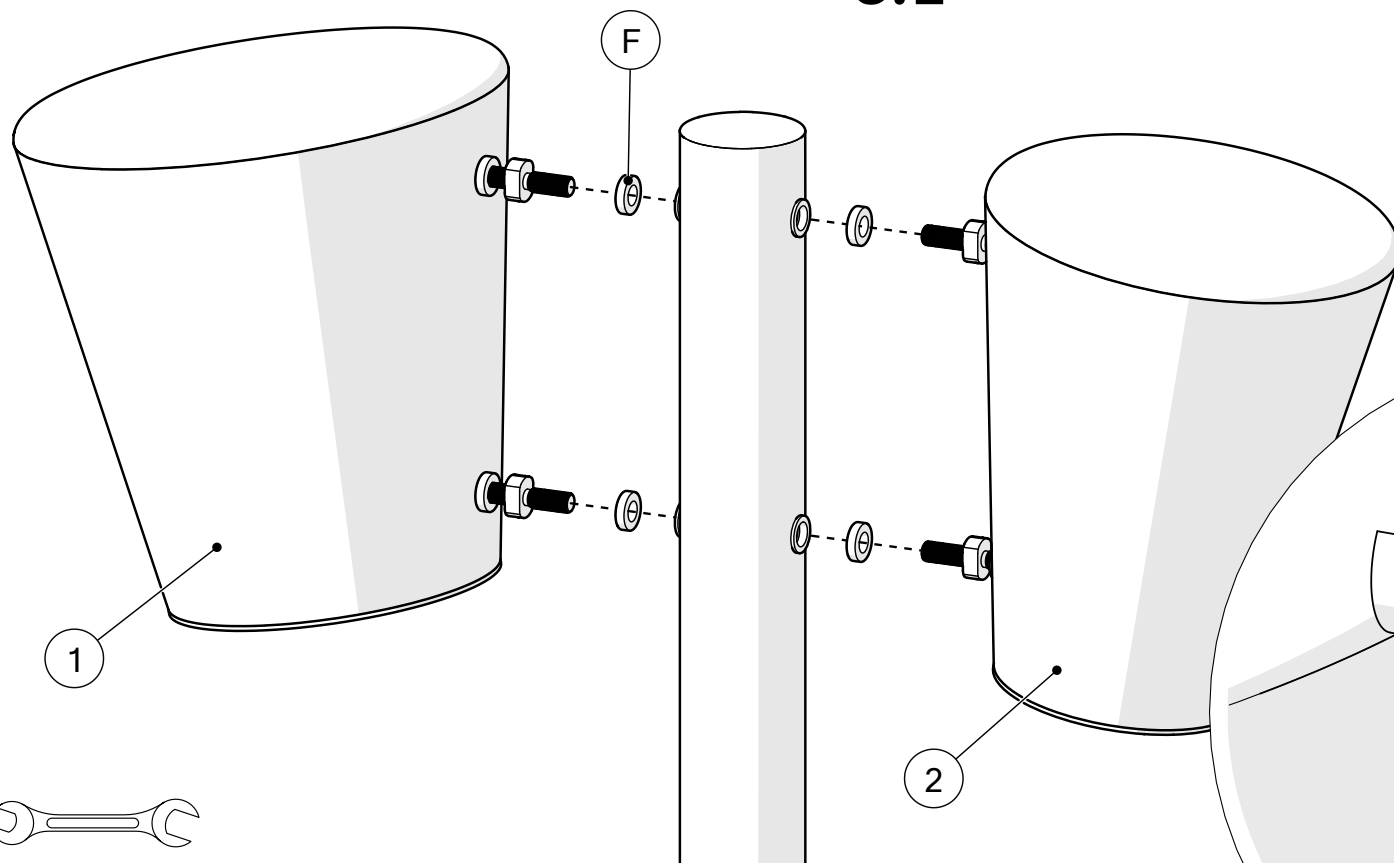


E		x4
F		x4



# 3.

## 3.1



F		x4
---	--	----

# 4.

Surface fixing should not present a hazard



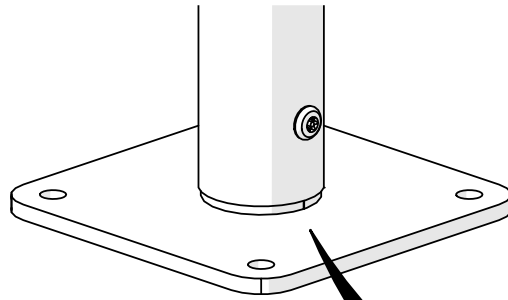
Refer to your local Health & Safety standards

C		x4
D		x4

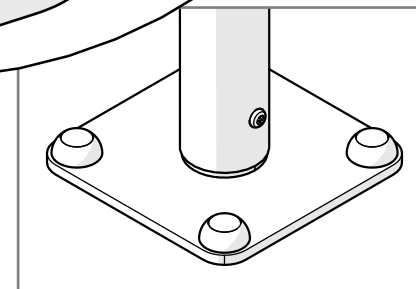
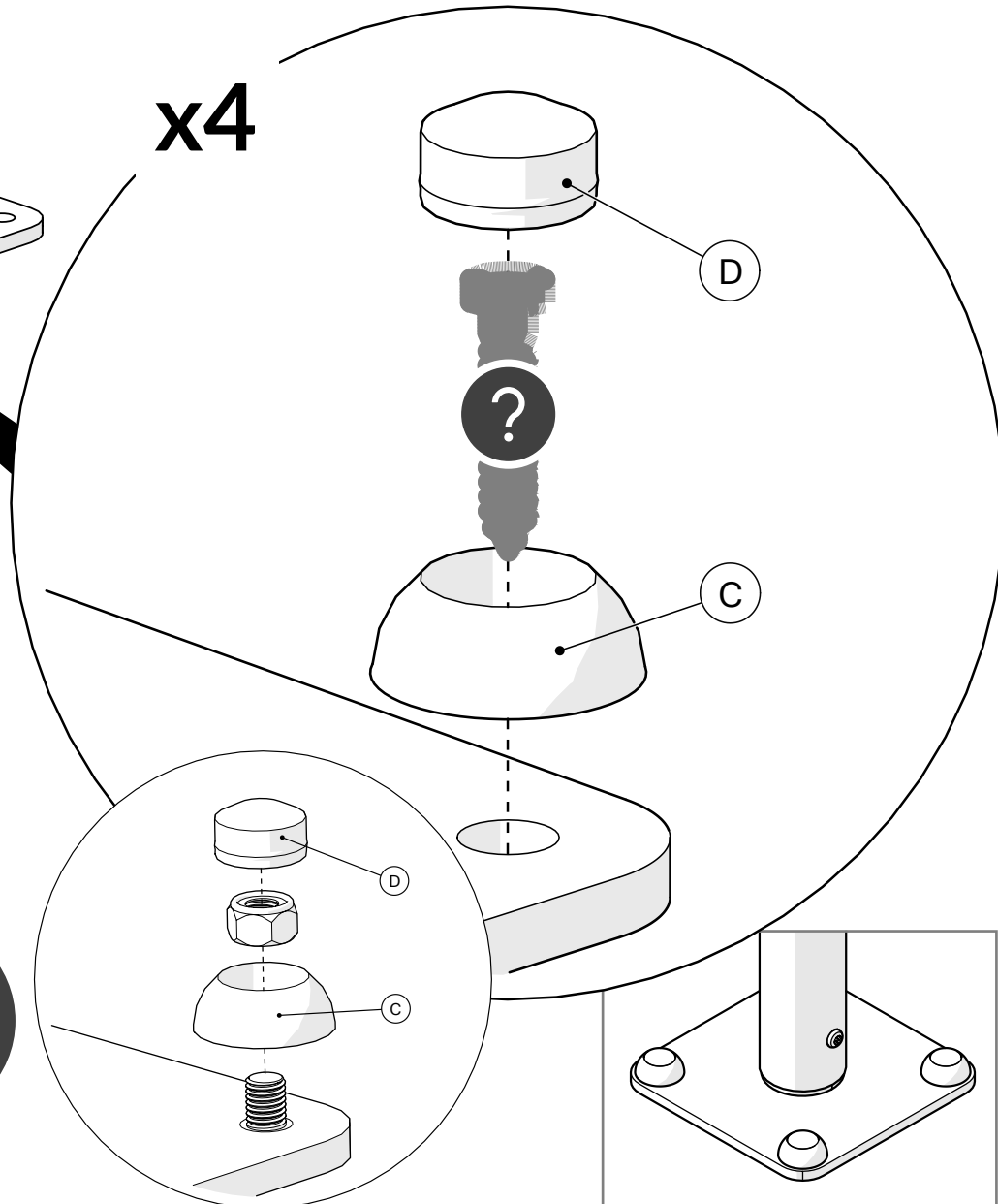
Surface

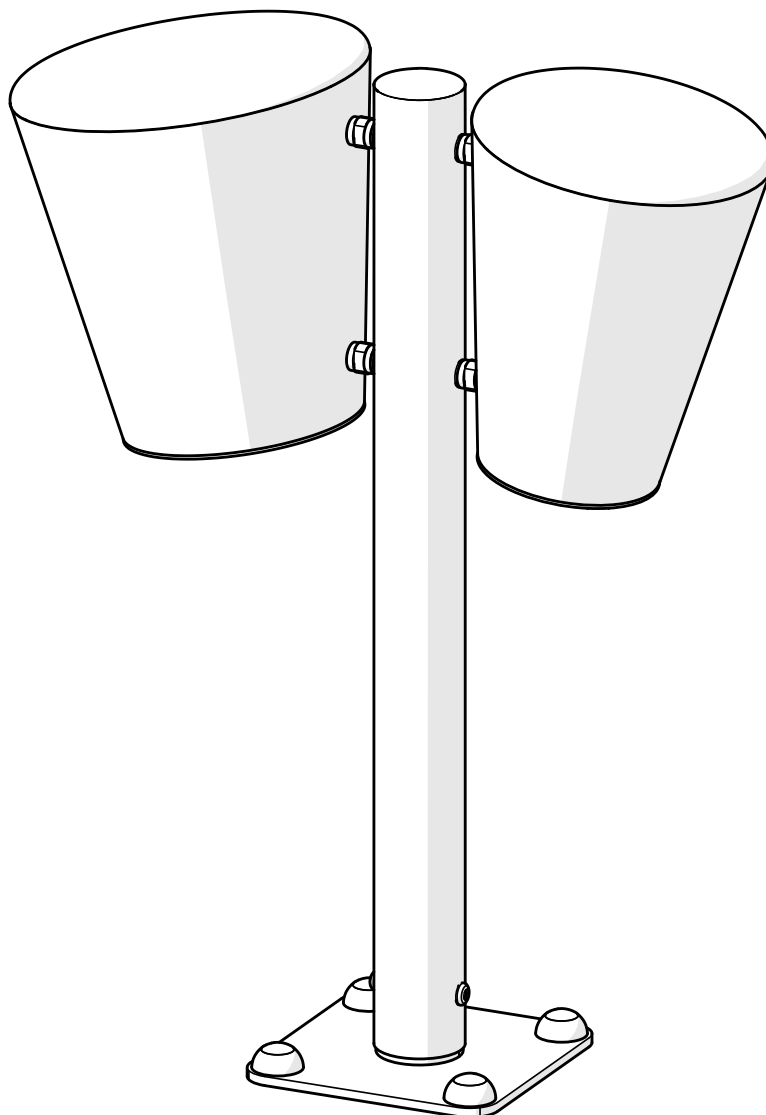
Example fixing

	Wood		x4
	Concrete		x4
	Brick		x4



x4





[percussionplay.com](http://percussionplay.com)



[info@percussionplay.com](mailto:info@percussionplay.com)



UK  
[01730 235 180](tel:01730235180)

USA & CAN  
[+1 \(866\) 882 9170](tel:+18668829170)

EUR & ROW  
[+44 1730 235 180](tel:+441730235180)