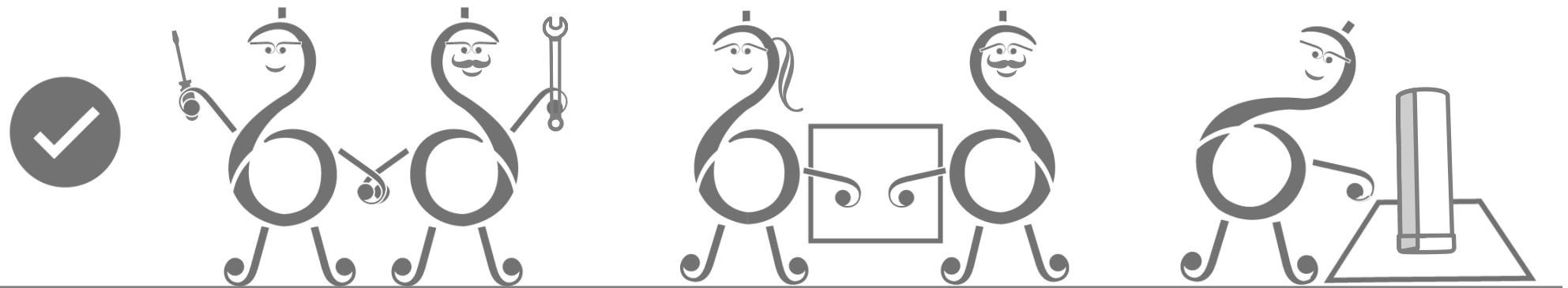
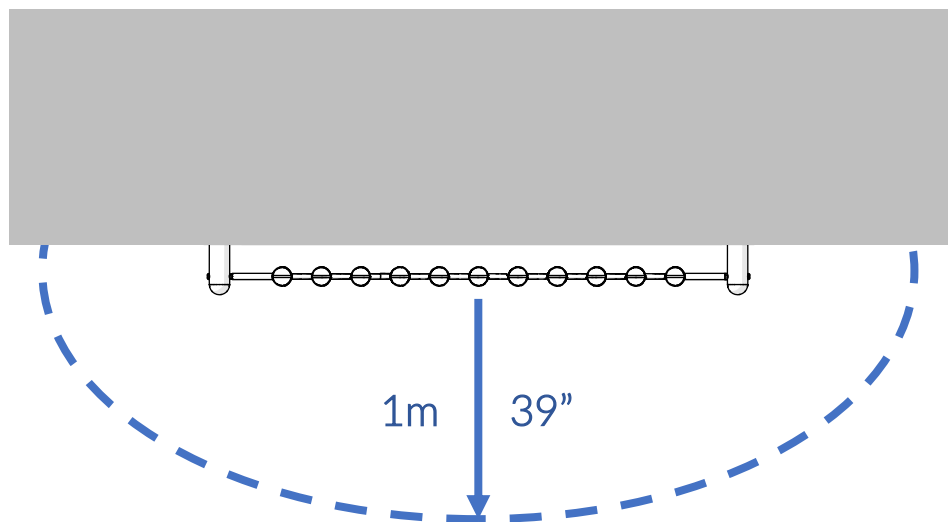


Part Reference	Description
PP-MCHI-WA	Mirror Chimes - (Wall Fix)

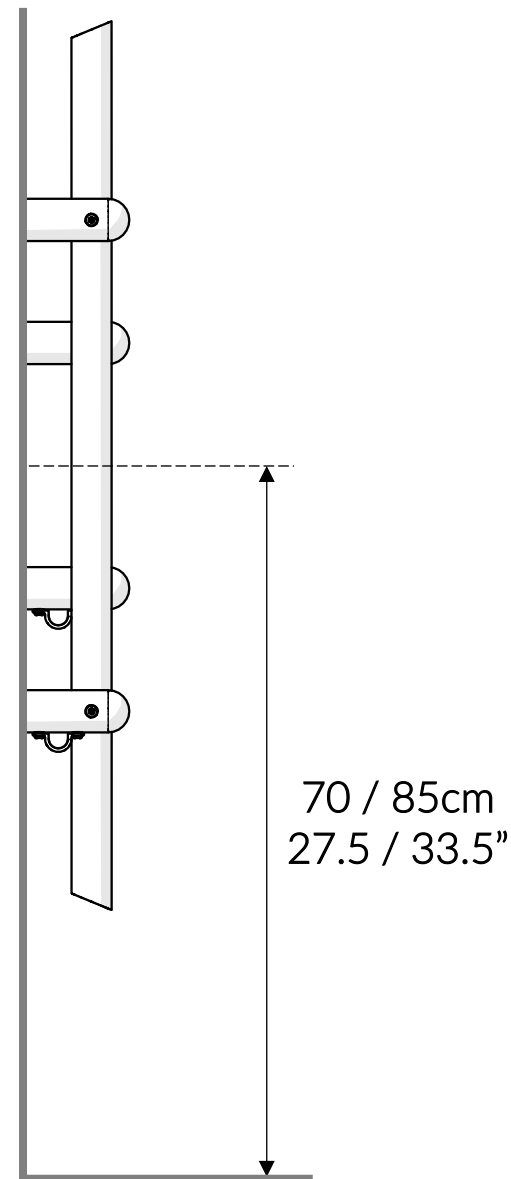




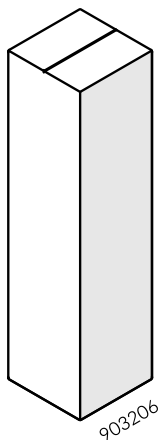
Check Risk Assessment



Confirm height with client



Packages

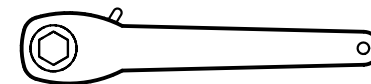


x1

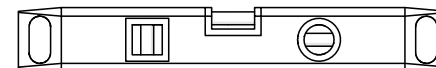
		L	W	H	Weight	Net
x1	903206	110cm / 43"	28cm / 11"	28cm / 11"	20kg / 44lbs	

Tools required (not supplied)

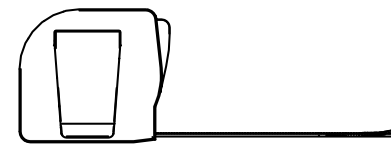
¼" Bit Driver Ratchet



Spirit Level



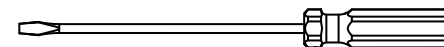
Tape Measure

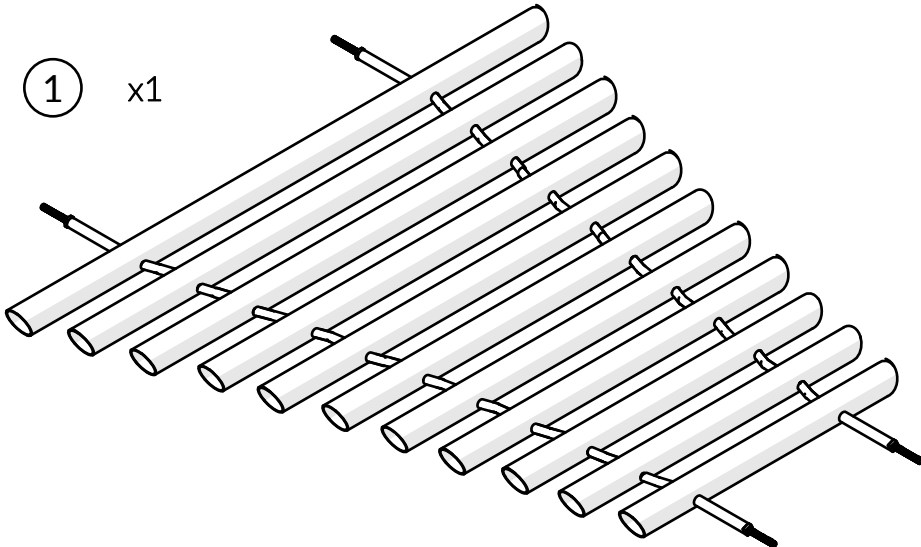
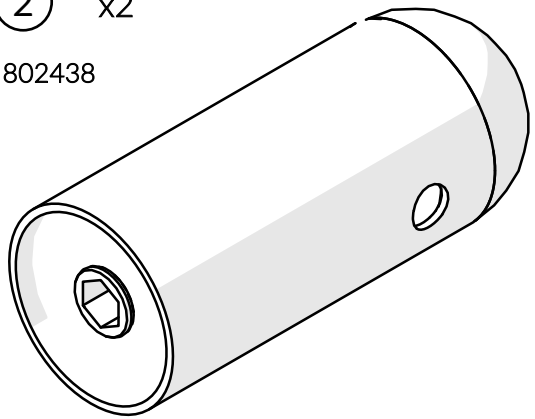
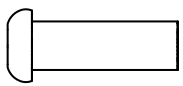
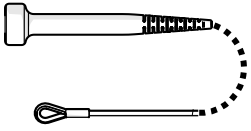
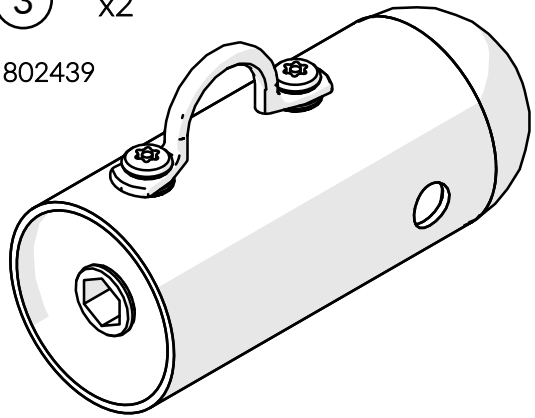
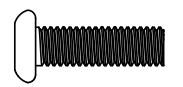
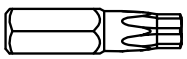
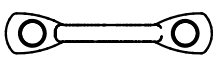
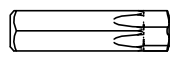


Drill



Screwdriver

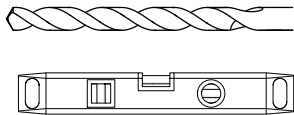
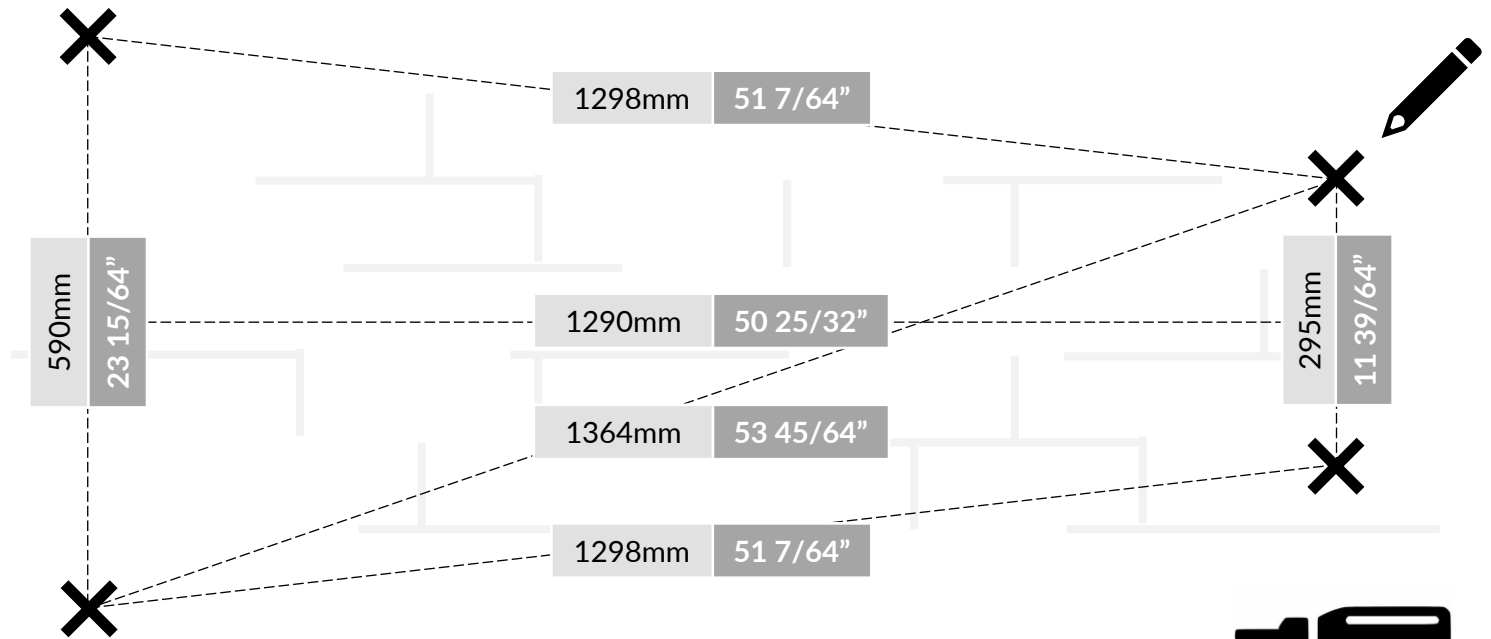


903206			
<p>① x1</p> 		<p>② x2</p> <p>802438</p> 	
<p>Ⓐ x4</p> <p>501412</p> 	<p>④ x2</p> <p>900832</p> 	<p>③ x2</p> <p>802439</p> 	
<p>Ⓑ x4</p> <p>500746</p> 	<p>TX30 x1</p> <p>500473</p> 		
<p>Ⓒ x2</p> <p>603150</p> 	<p>TX40 x1</p> <p>500474</p> 		

Not to scale

1.




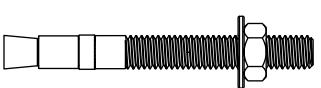

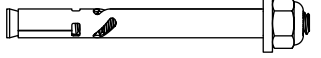
mm inch



Wall

Example fixing
M10 threaded anchor

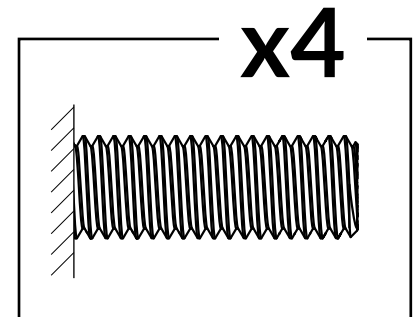


	Wood		x4
	Concrete		x4
	Brick		x4

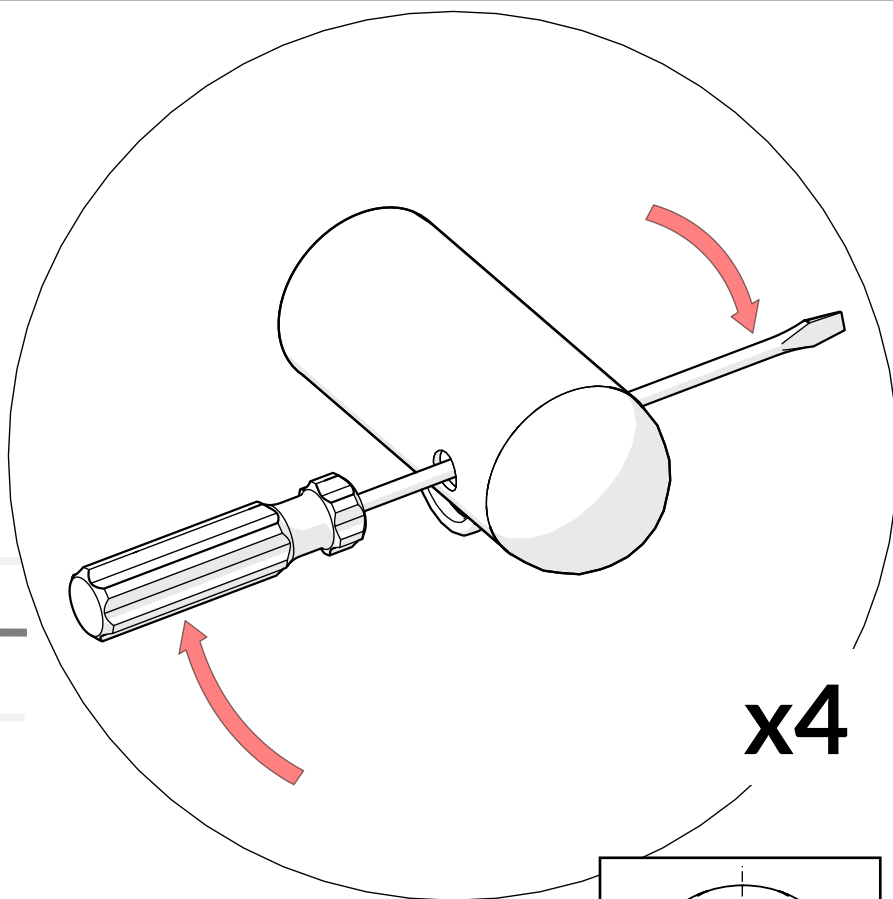
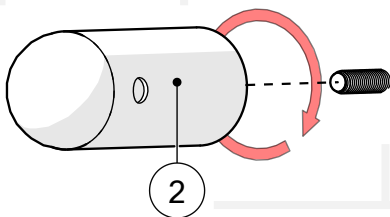
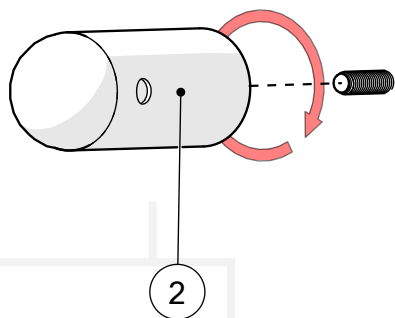


Wall fixing should not present a hazard

Refer to your local Health & Safety standards

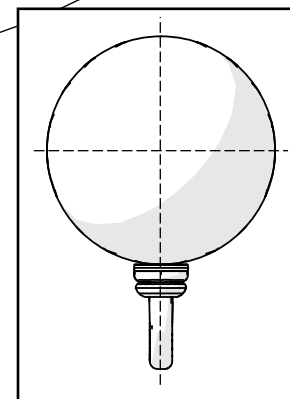
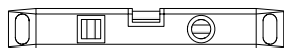
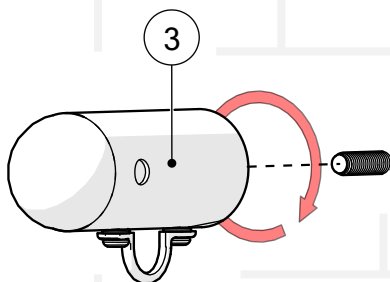
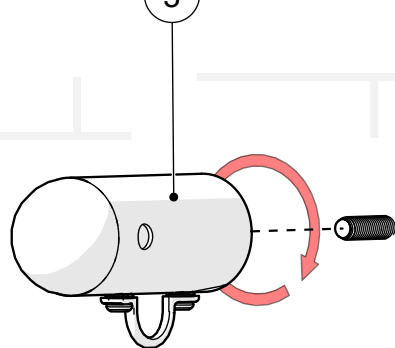


2.

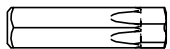
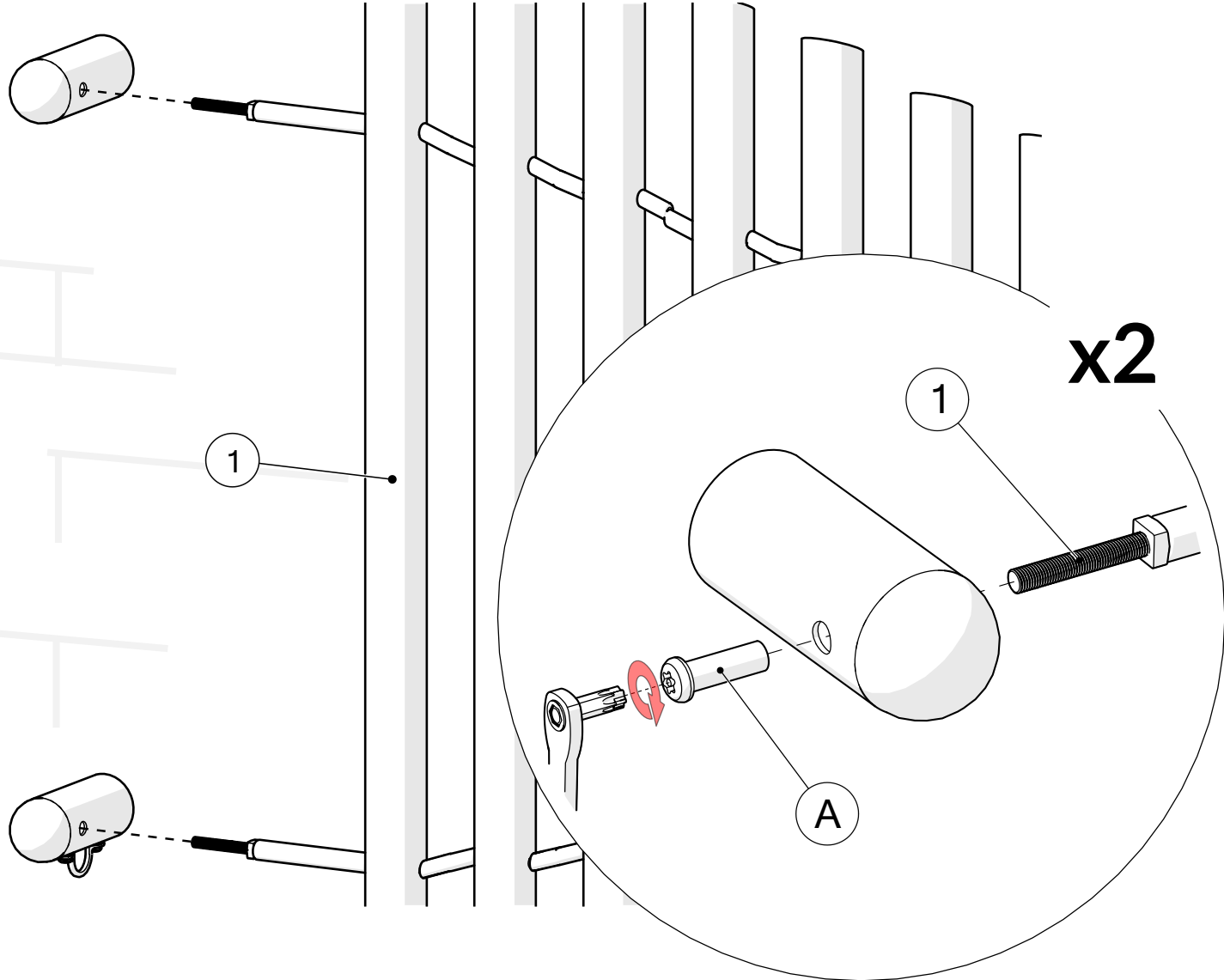
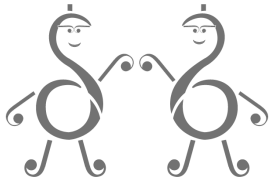


x4

3



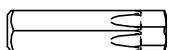
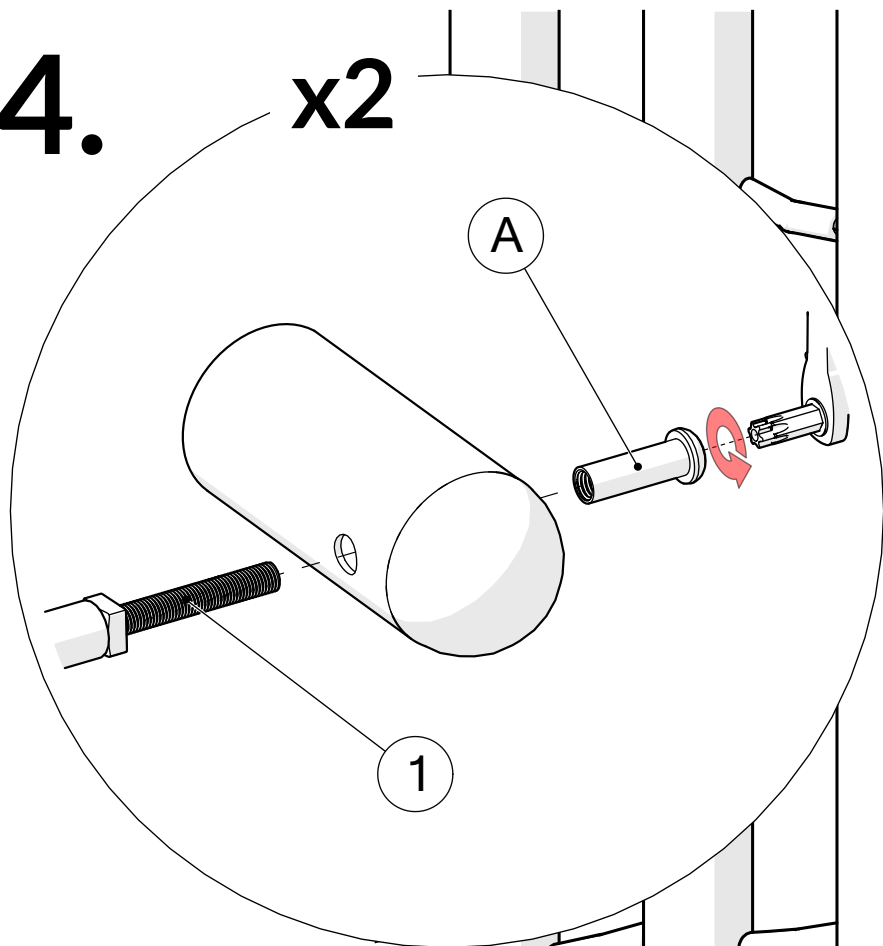
3.



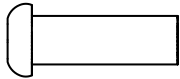
TX40

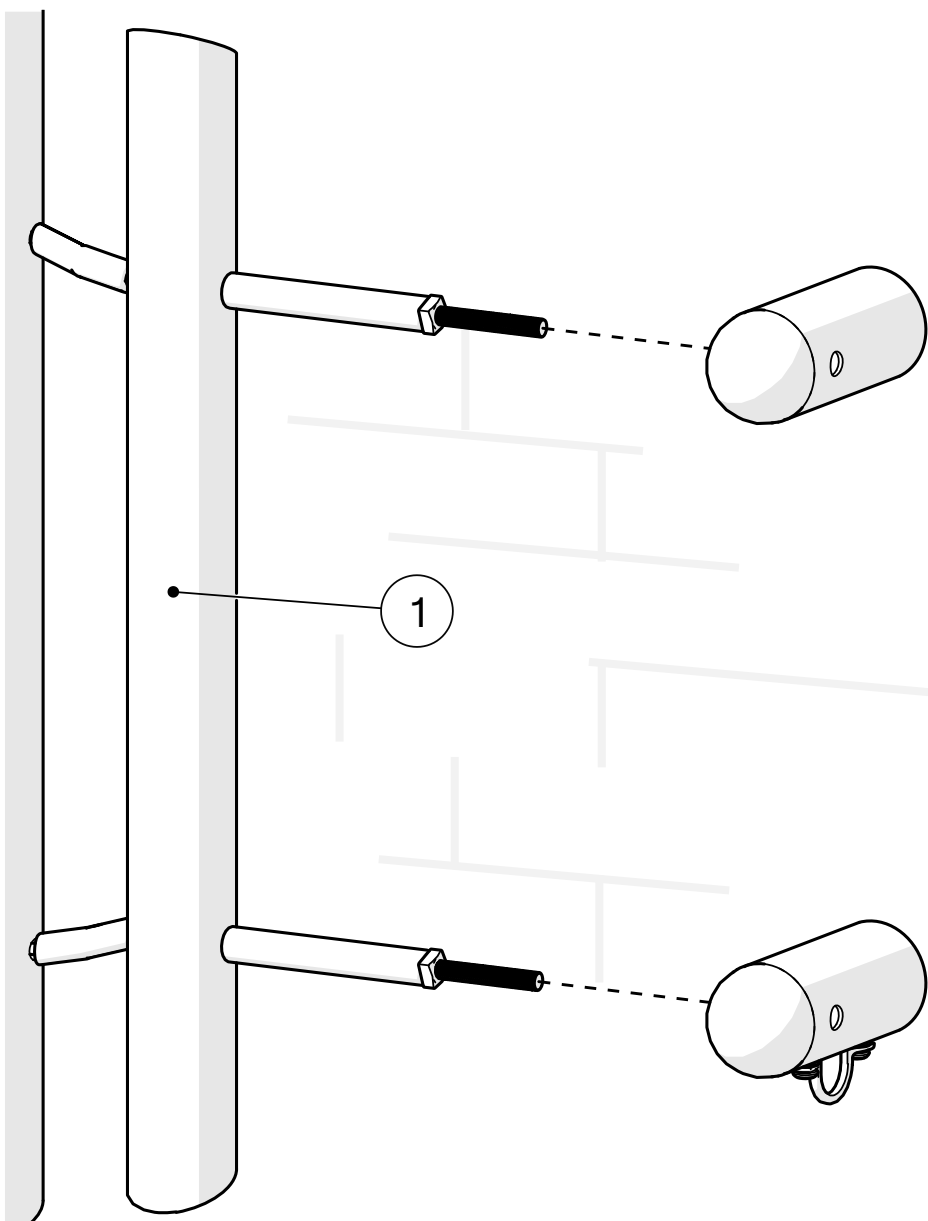
A		x2
---	--	----

4. x2

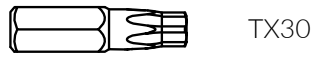


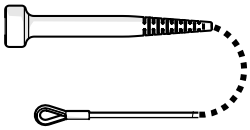

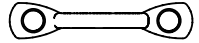
TX40

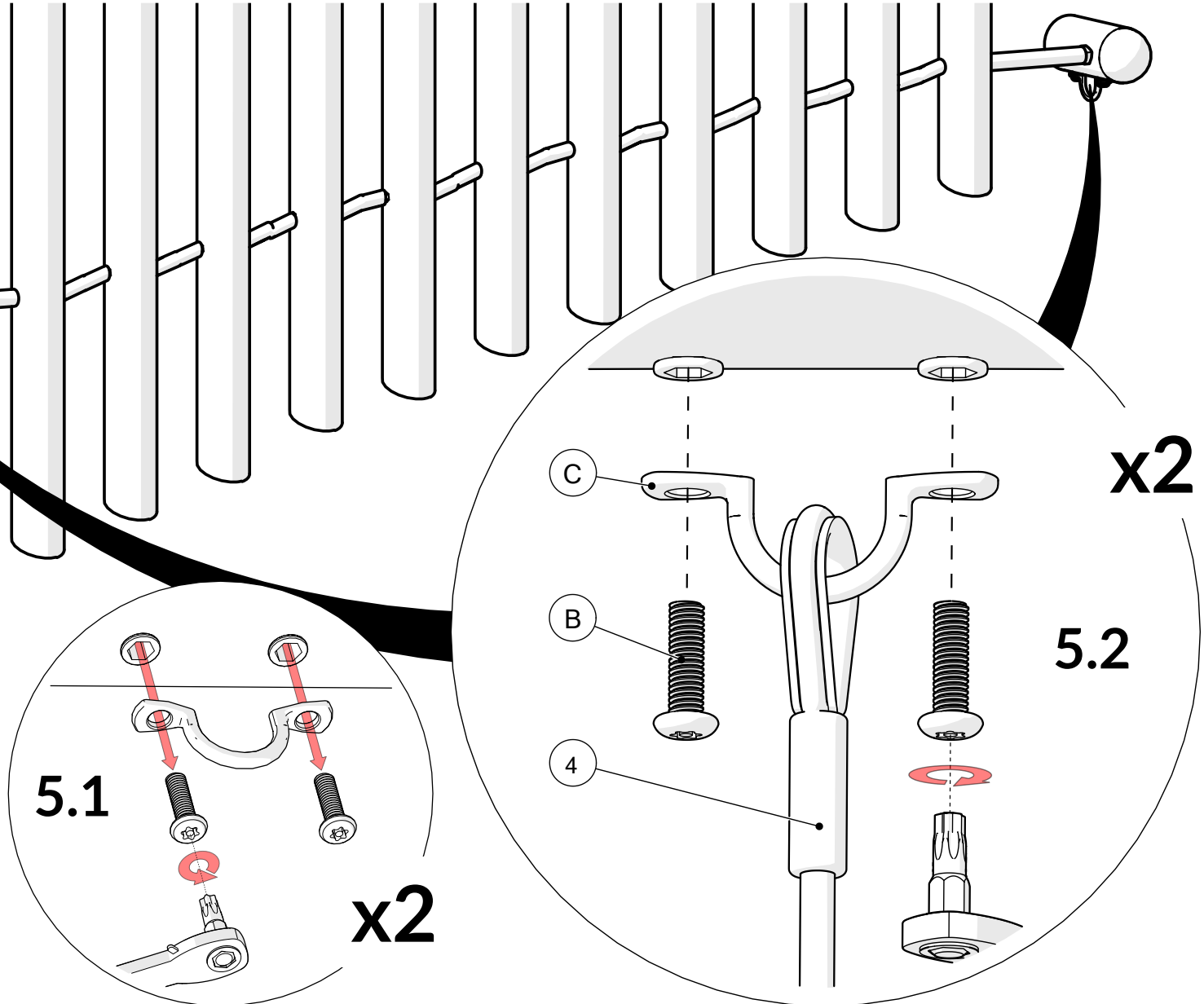
A		x2
---	---	----

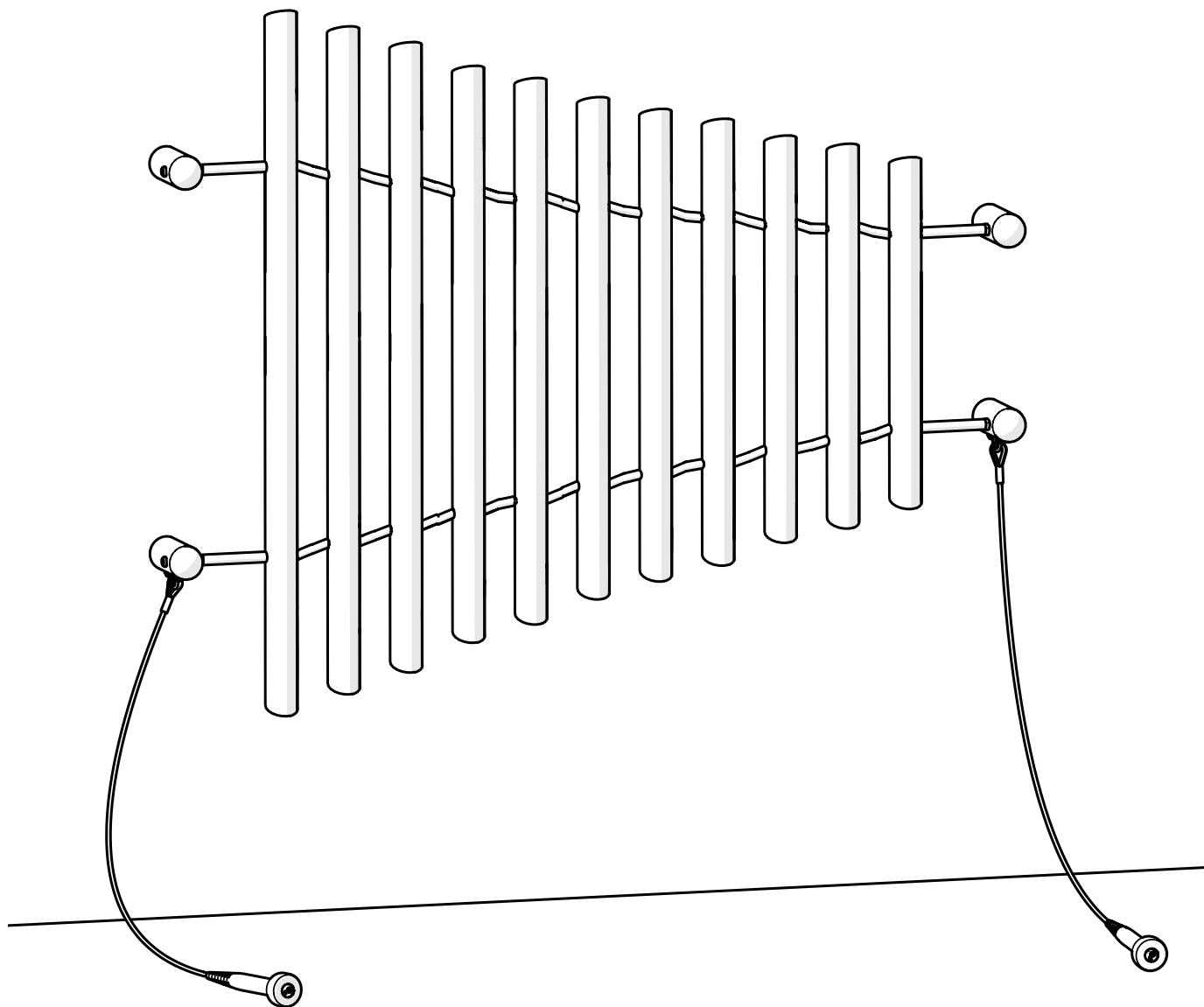


5.



4		x2
B		x4
C		x2





percussionplay.com



info@percussionplay.com



UK
[01730 235 180](tel:01730235180)

USA & CAN
[+1 \(866\) 882 9170](tel:+18668829170)

EUR & ROW
[+44 1730 235 180](tel:+441730235180)