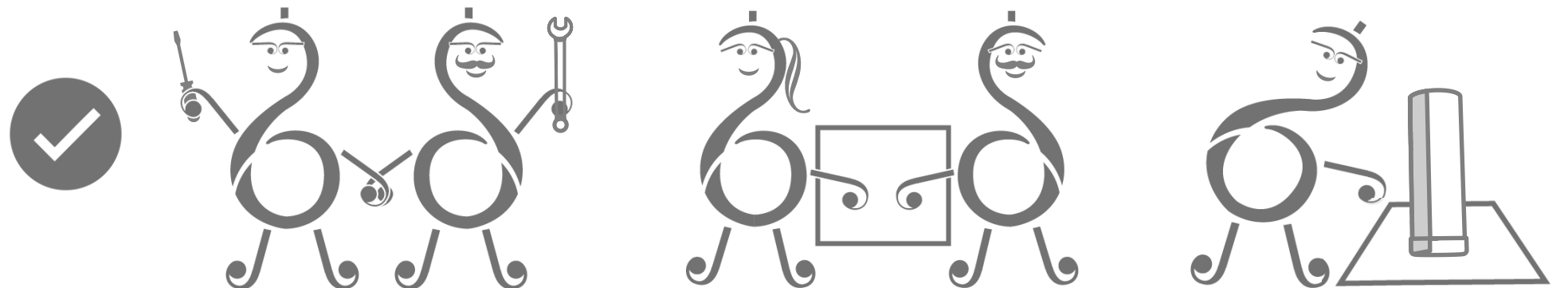
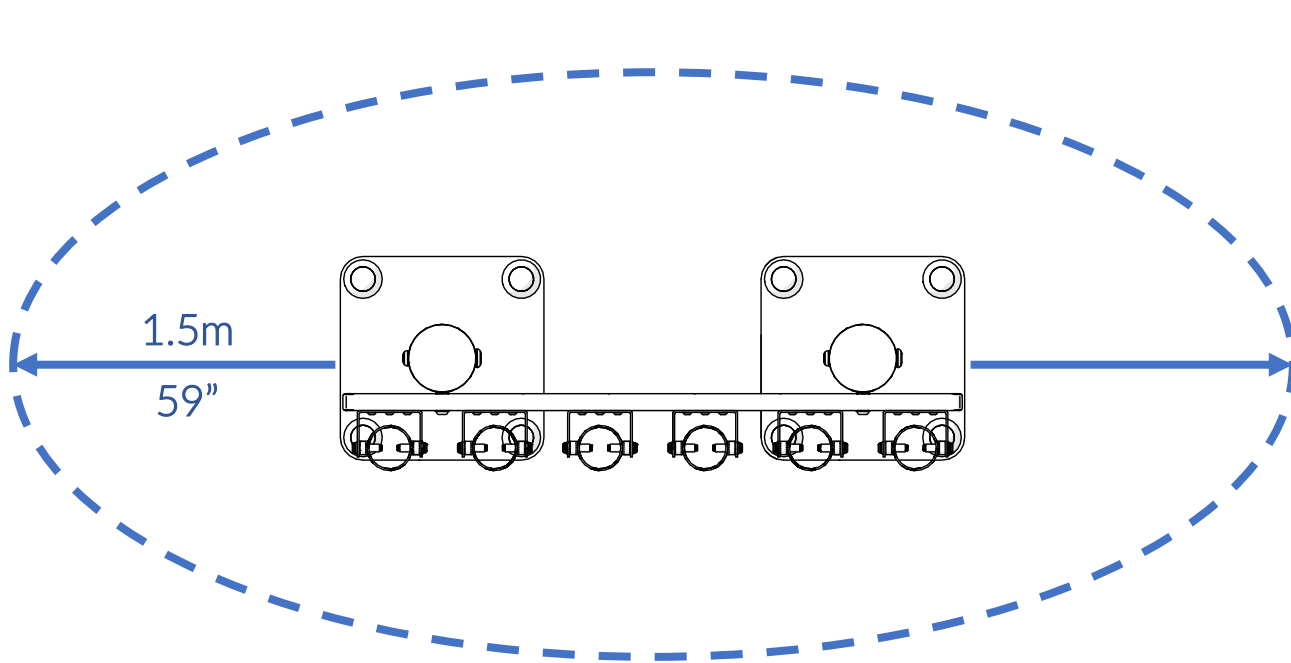


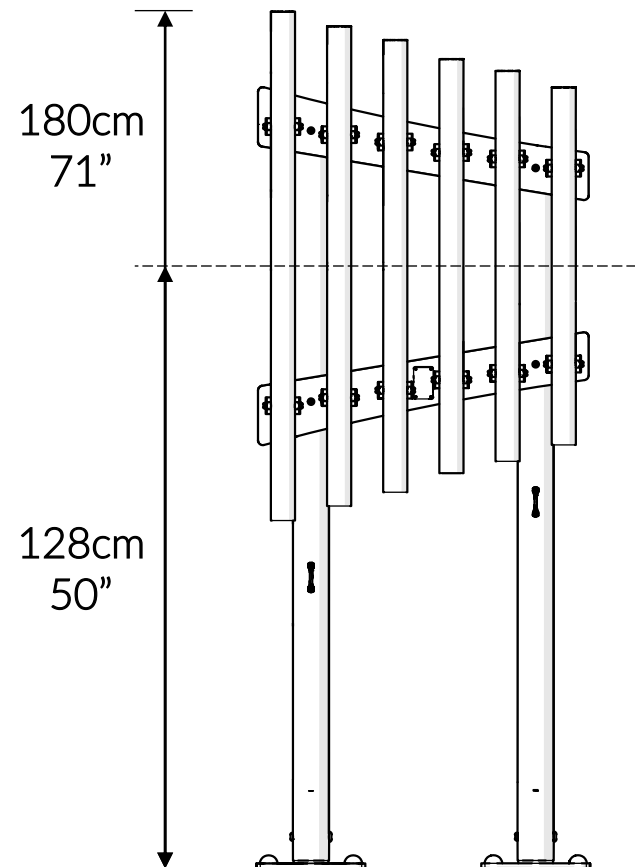
Part Reference	Description
PP-FREC-AL-PE-SU	C4-C5 Alto Pentatonic - 6 notes (Surface Fix)



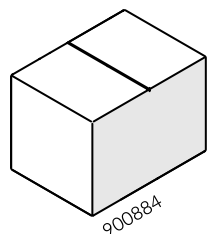




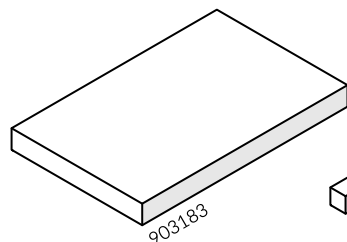
Check Risk Assessment



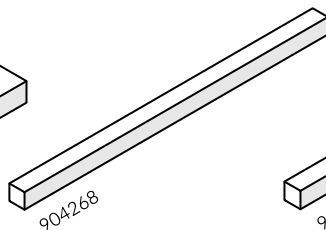
### Packages



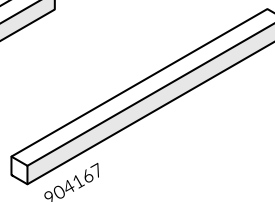
x2



x1



x1



x1

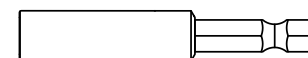
		L	W	H	Weight	Net
x2	900884	23cm / 9"	23cm / 9"	31cm / 12"	6kg / 13lbs	
x1	903183	110cm / 43.5"	70cm / 27.5"	10cm / 4"	14kg / 31lbs	
x1	904268	200cm / 79"	10cm / 4"	10cm / 4"	9kg / 20lbs	
x1	904167	160cm / 63"	10cm / 4"	10cm / 4"	9kg / 20lbs	

### Tools required (not supplied)

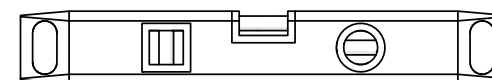
¼" Bit Driver Ratchet



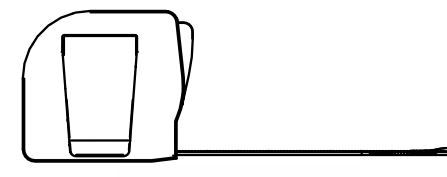
¼" hex adapter

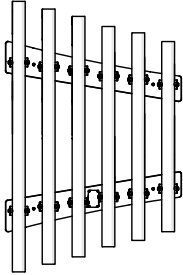
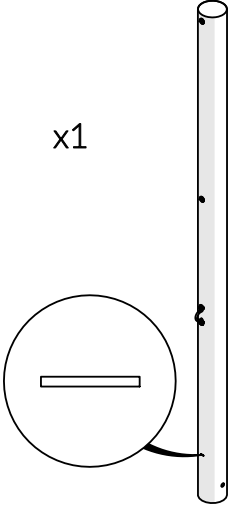
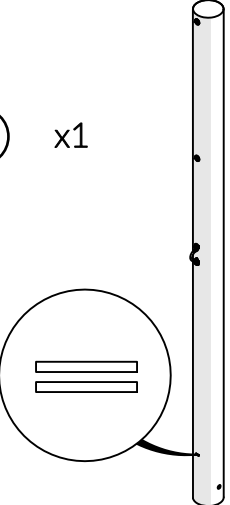
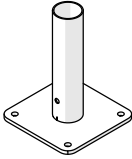

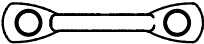
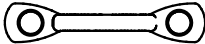

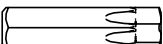

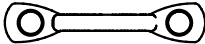
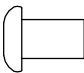



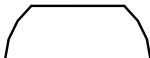
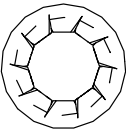



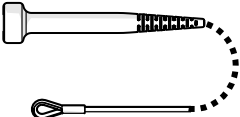
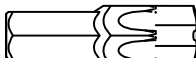


Spirit level



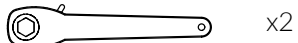
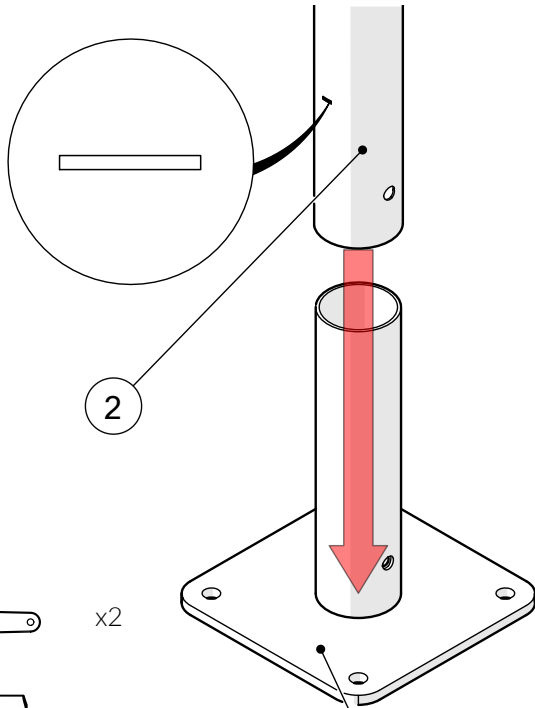
Tape Measure



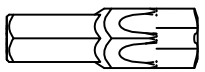
<p>903183</p>	<p>904268</p>	<p>904167</p>	<p>900884</p> <p style="text-align: right;">x2</p>
<p>① x1</p> 	<p>② x1</p> 	<p>③ x1</p> 	<p>⑤ x1</p> <p>800878</p> 
<p>TX30 x1</p> <p>500473</p> 	<p>④ x1</p> 	<p>④ x1</p> 	<p>⑥ x1</p> <p>500667</p> 
<p>TX40 x1</p> <p>500474</p> 	<p>⑦ x1</p> <p>502452</p> 	<p>⑦ x1</p> <p>502452</p> 	<p>⑧ x1</p> <p>500613</p> 
<p>⑧ x4</p> <p>502452</p> 	<p>⑨ x2</p> <p>500746</p> 	<p>⑨ x2</p> <p>500746</p> 	<p>⑩ x4</p> <p>601543</p> 
<p>⑨ x4</p> <p>500456</p> 	<p>⑩ x4</p> <p>601542</p> 	<p>⑩ x4</p> <p>601542</p> 	<p>⑪ x4</p> <p>601542</p> 
<p>④ x2</p> <p>900832</p> 	<p>Not to scale</p>		<p>TX45 x2</p> <p>500720</p> 

**1.**

**1.1**

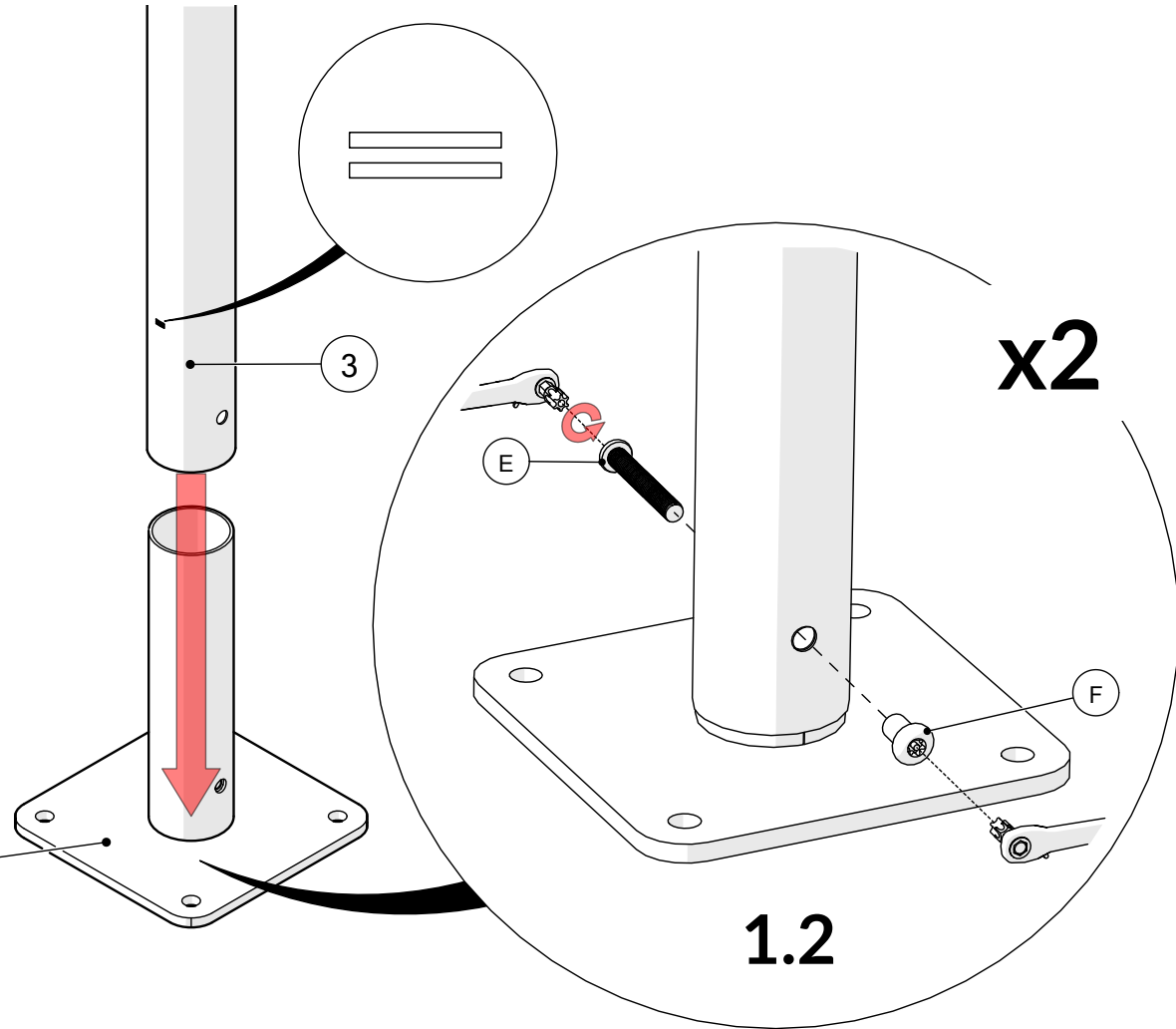


x2



x2 TX45

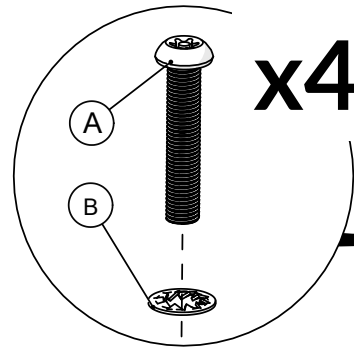
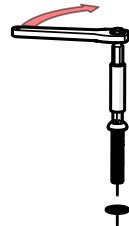
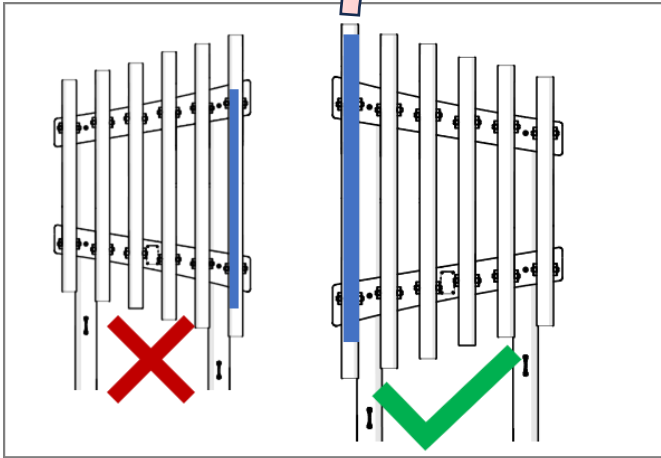
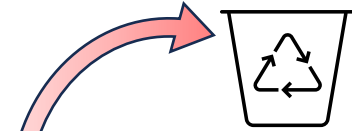
E		x2
F		x2



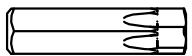
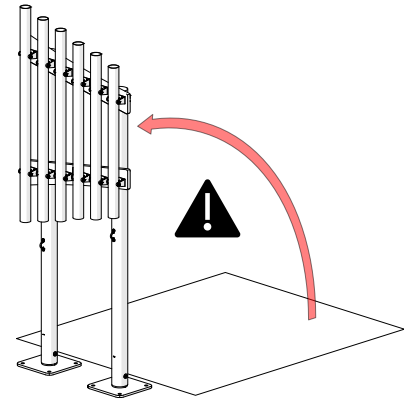
**x2**

**1.2**


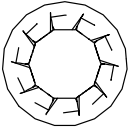
2.

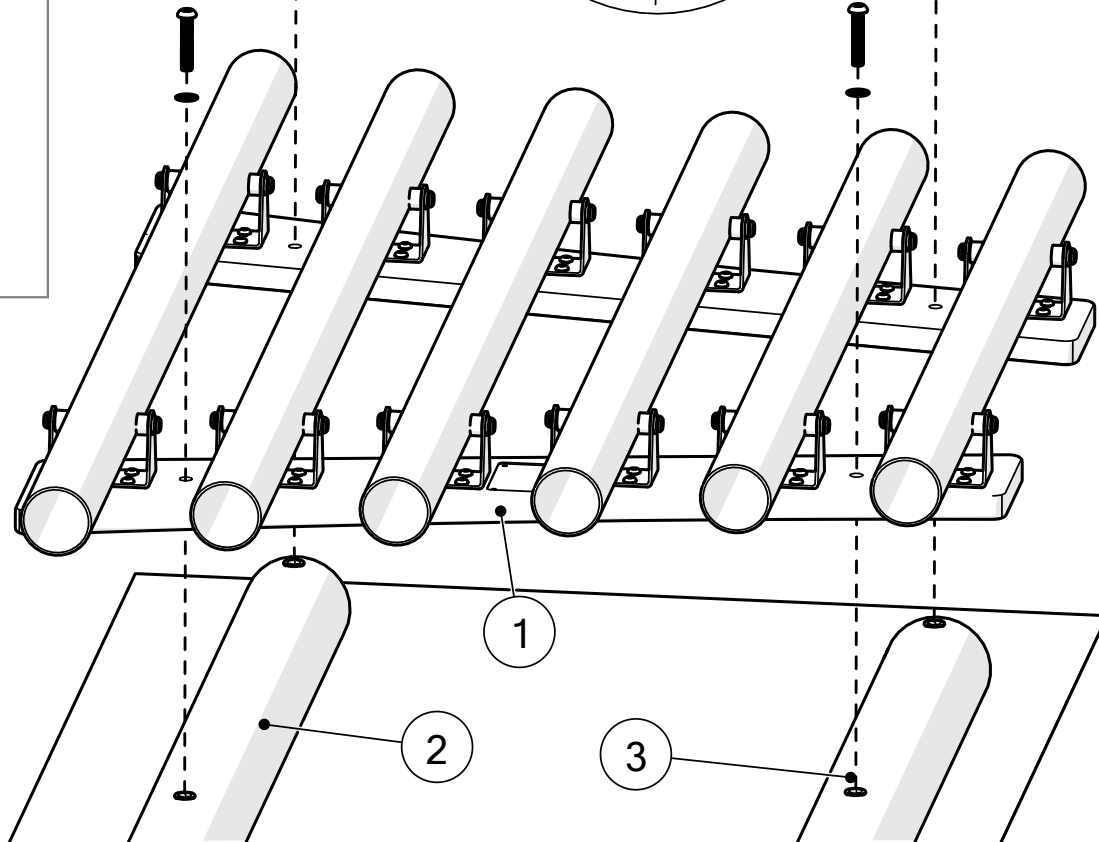


x4



TX40

A		x4
B		x4

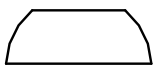



# 3. x2

Surface fixing should not present a hazard




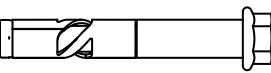

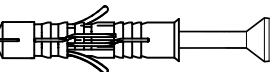


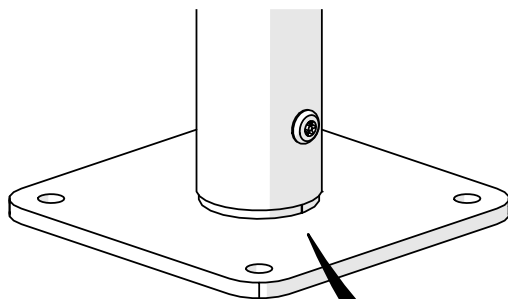
Refer to your local Health & Safety standards

G		x8
H		x8

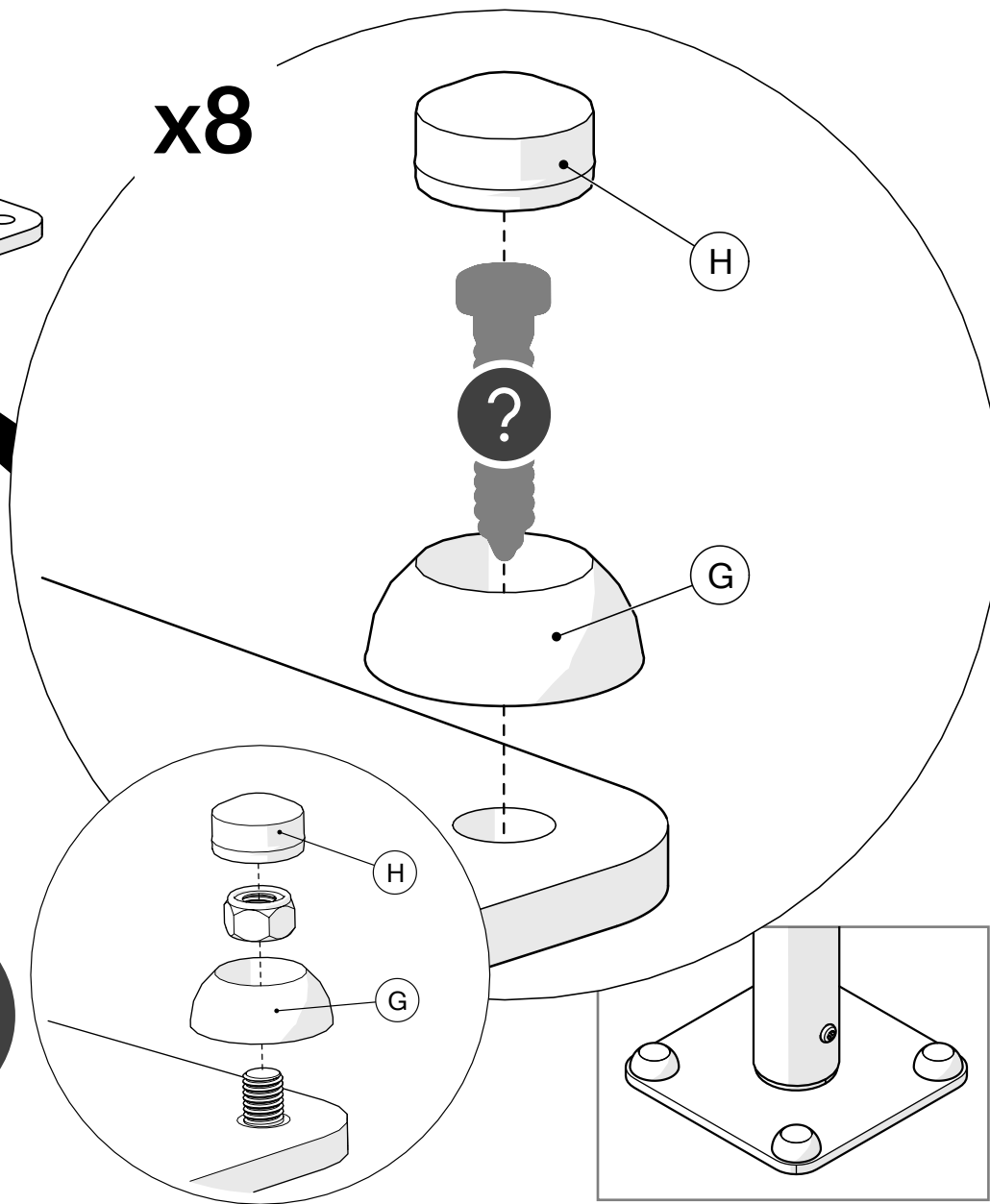
Surface

Example fixing

	Wood		x8
	Concrete		x8
	Brick		x8

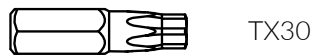


x8

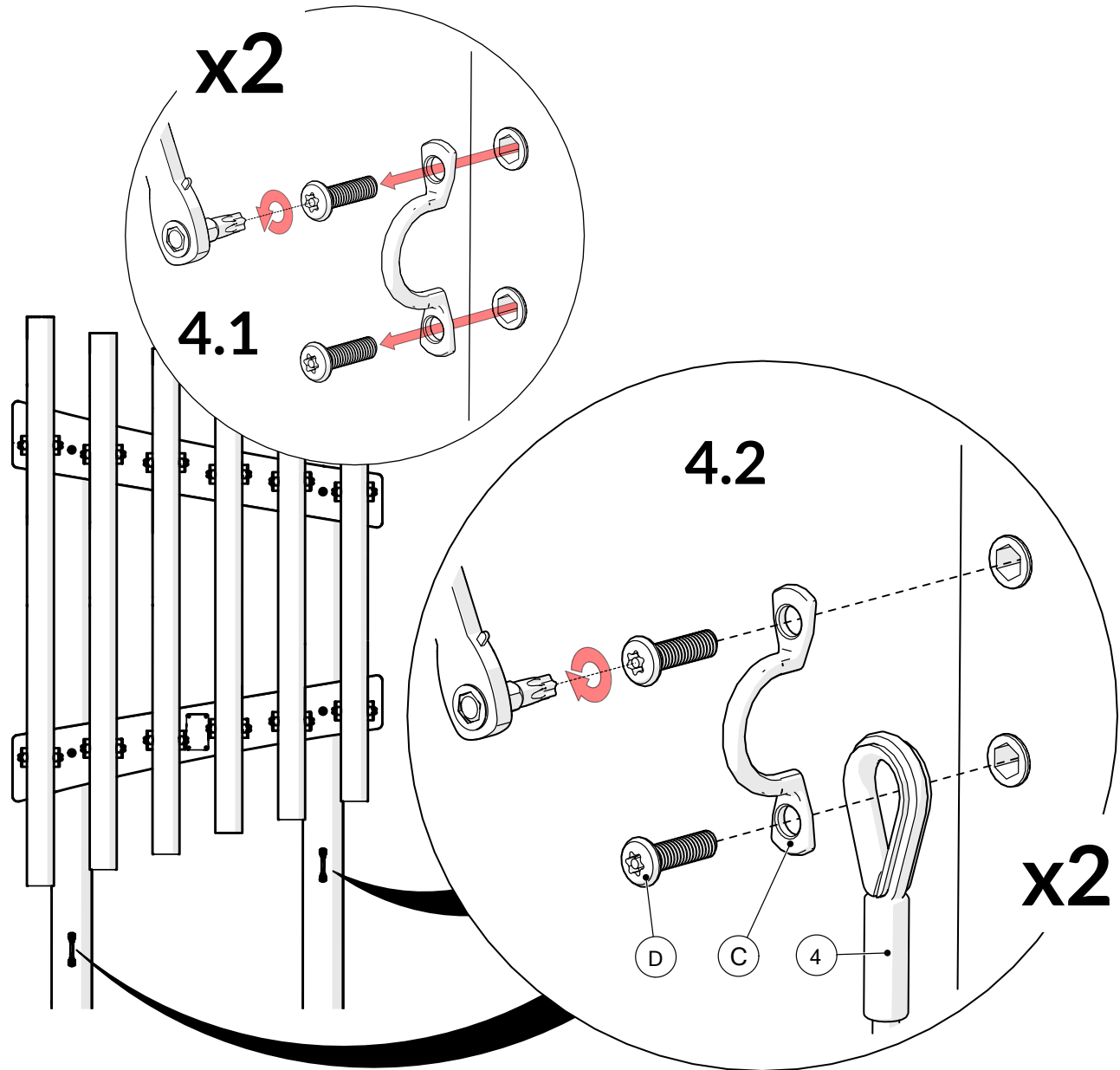


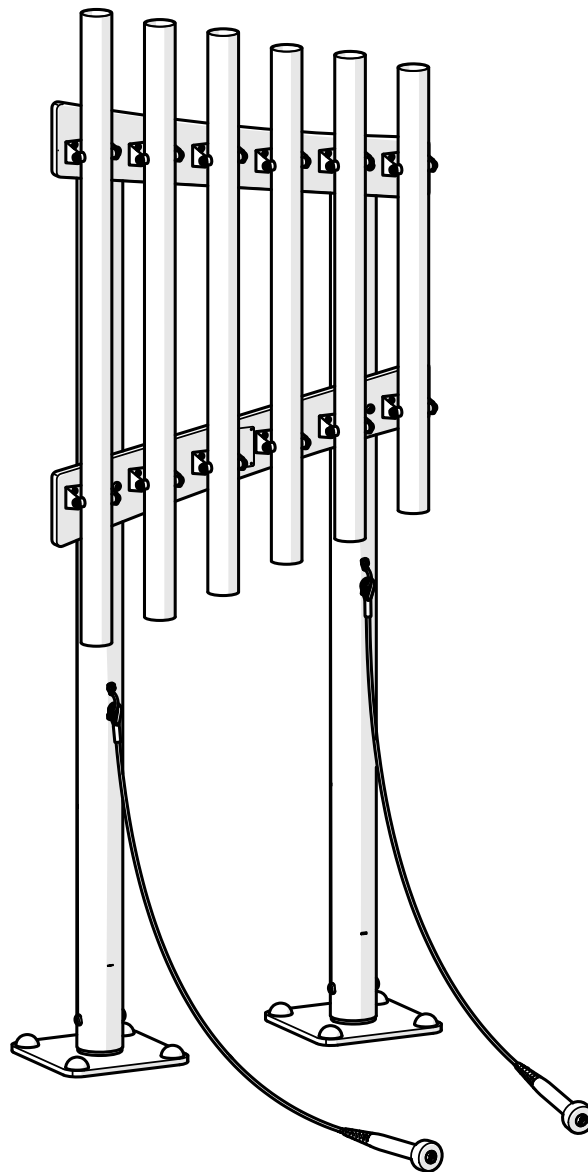


# 4.



4		x2
C		x2
D		x4





[percussionplay.com](http://percussionplay.com)



[info@percussionplay.com](mailto:info@percussionplay.com)



UK  
[01730 235 180](tel:01730235180)

USA & CAN  
[+1 \(866\) 882 9170](tel:+18668829170)

EUR & ROW  
[+44 1730 235 180](tel:+441730235180)