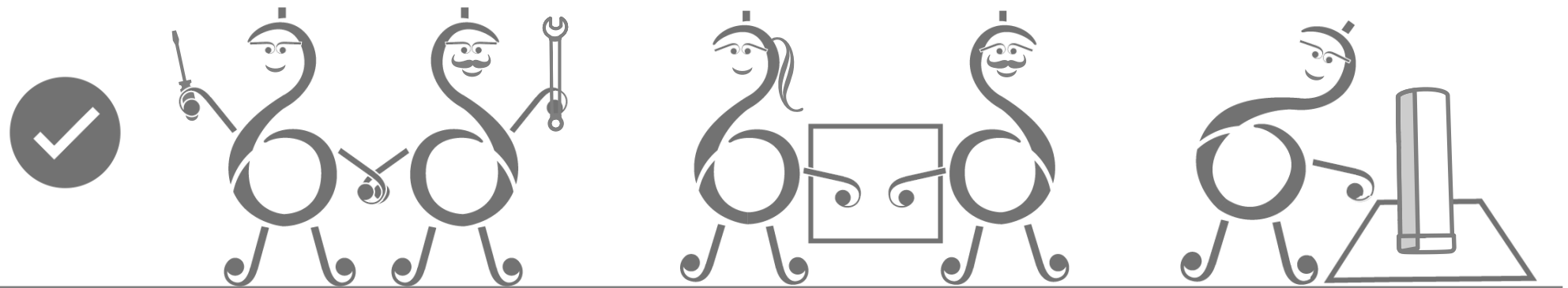
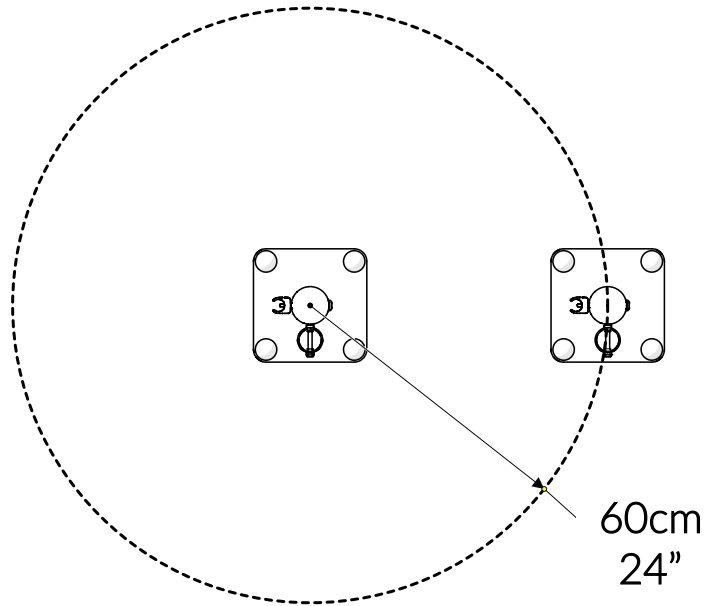
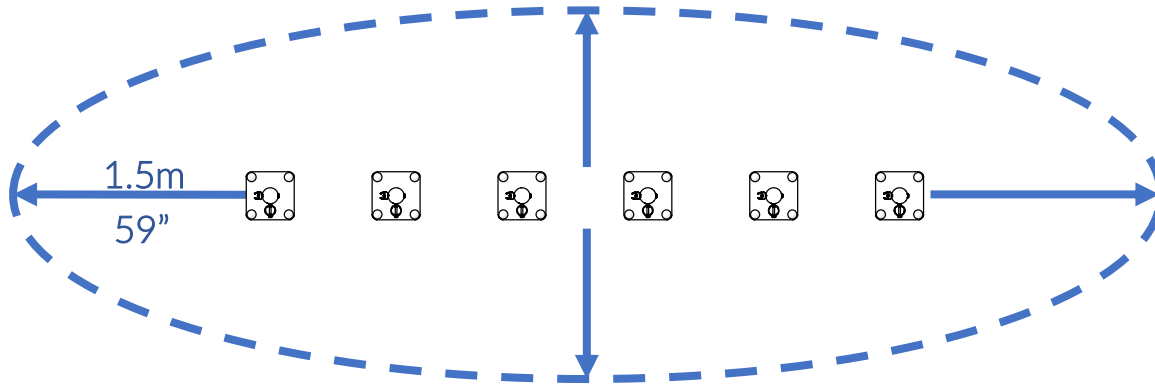


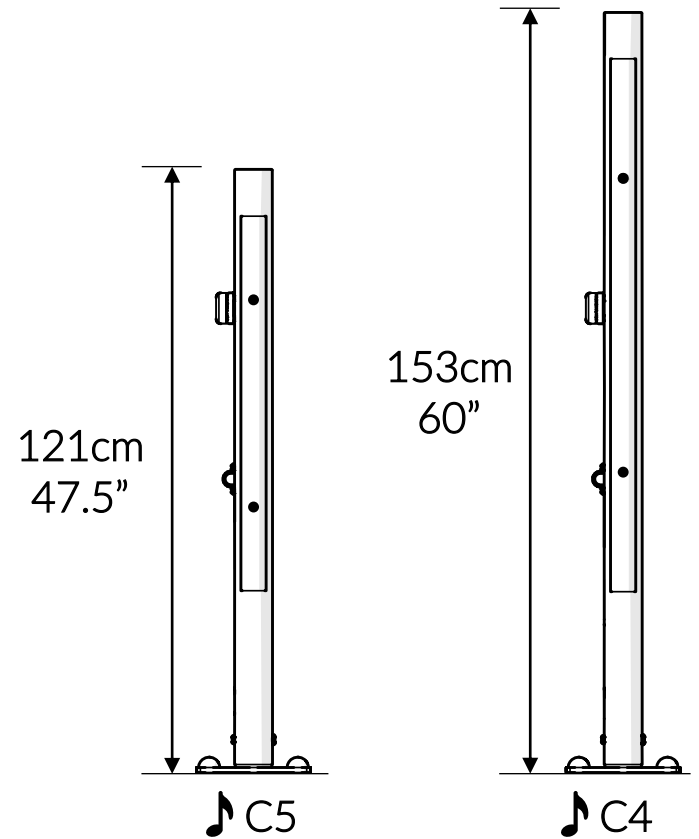
Part Reference	Description
PP-CALY-S6-PE-SU	Calypso Chimes Pentatonic (Set 6) (Surface Fix)



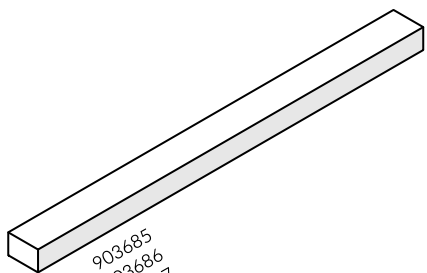




Check Risk Assessment

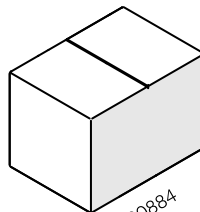


Packages



903685
903686
903687
903689
903690
903692

x6

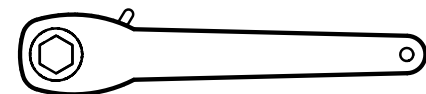


900884

x6

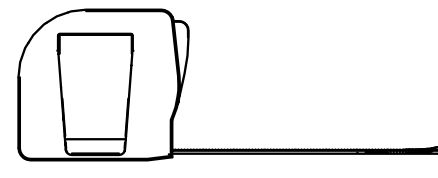
Tools required (not supplied)

¼" Bit Driver Ratchet



x2

Tape Measure



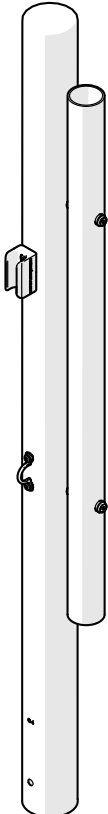
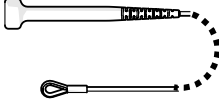
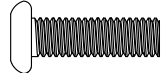
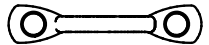

		L	W	H	Weight	Net
x1	903685	194cm / 76"	15cm / 6"	10cm / 4"	6kg / 13lbs	
x1	903686					
x1	903687					
x1	903689					
x1	903690					
x1	903692					
x6	900884	32cm / 12.5"	23cm / 9"	23cm / 9"	6kg / 13lbs	

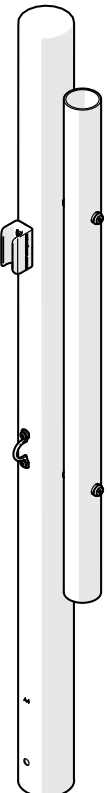
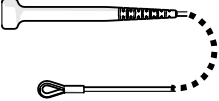
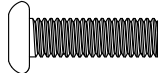
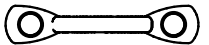



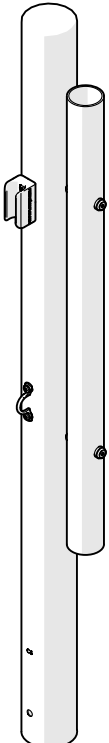
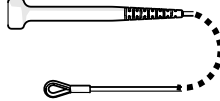
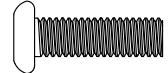
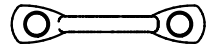

903685	
<p>① x1 C4</p>	<p>⑧ x1 900837</p>
	<p>ⓔ x2 500746</p>
	<p>ⓕ x1 603150</p>
	<p>x1 TX30 500473</p>

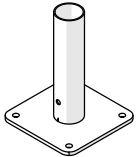

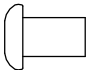



903686	
<p>② x1 D4</p>	<p>⑧ x1 900837</p>
	<p>ⓔ x2 500746</p>
	<p>ⓕ x1 603150</p>
	<p>x1 TX30 500473</p>

903687	
<p>③ x1 E4</p>	<p>⑧ x1 900837</p>
	<p>ⓔ x2 500746</p>
	<p>ⓕ x1 603150</p>
	<p>x1 TX30 500473</p>

903689	
 <p>④ x1 G4</p>	<p>⑧ x1 900837</p> 
	<p>ⓔ x2 500746</p> 
	<p>ⓕ x1 603150</p> 
	<p>x1 TX30 500473</p> 

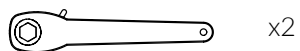
903690	
 <p>⑤ x1 A4</p>	<p>⑧ x1 900837</p> 
	<p>ⓔ x2 500746</p> 
	<p>ⓕ x1 603150</p> 
	<p>x1 TX30 500473</p> 

903692	
 <p>⑥ x1 C5</p>	<p>⑧ x1 900837</p> 
	<p>ⓔ x2 500746</p> 
	<p>ⓕ x1 603150</p> 
	<p>x1 TX30 500473</p> 

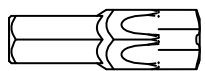
900884		x6
⑦	x1	
800878		
Ⓐ	x1	
500667		
Ⓑ	x1	
500613		
Ⓒ	x4	
601543		
Ⓓ	x4	
601542		
TX45	x2	
500720		

Not to scale


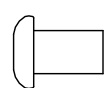
1. x6



x2



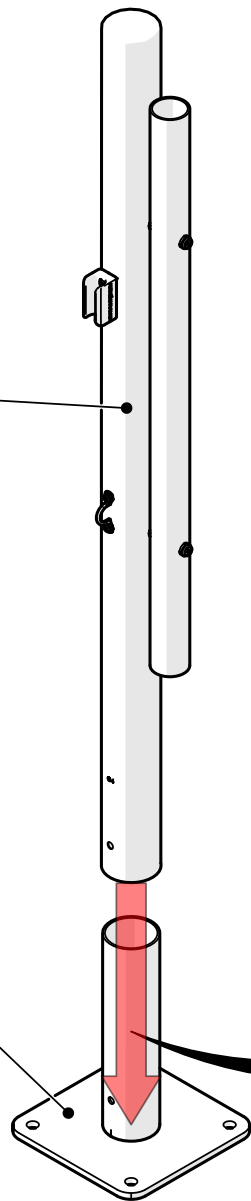
x2 TX45

A		x6
B		x6

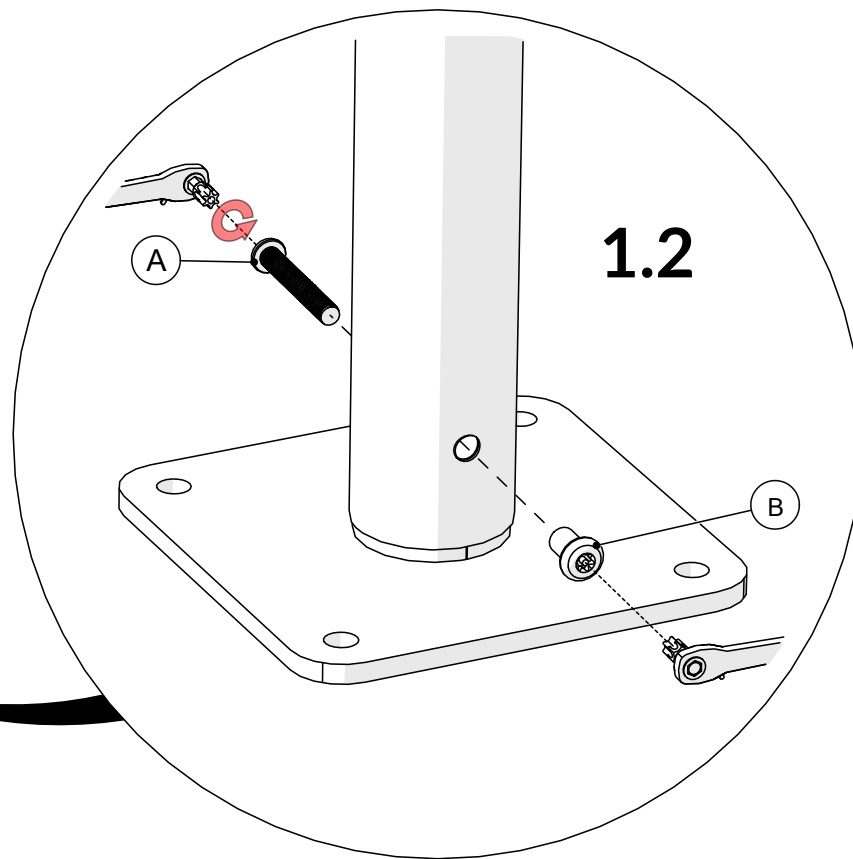
1.1

1-6

7



1.2



2. x6



Surface fixing should not present a hazard

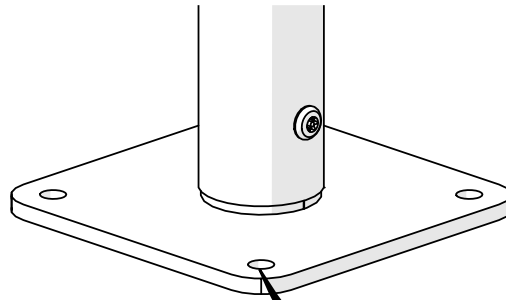
Refer to your local Health & Safety standards

C		x24
D		x24

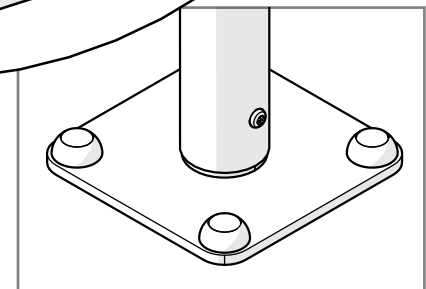
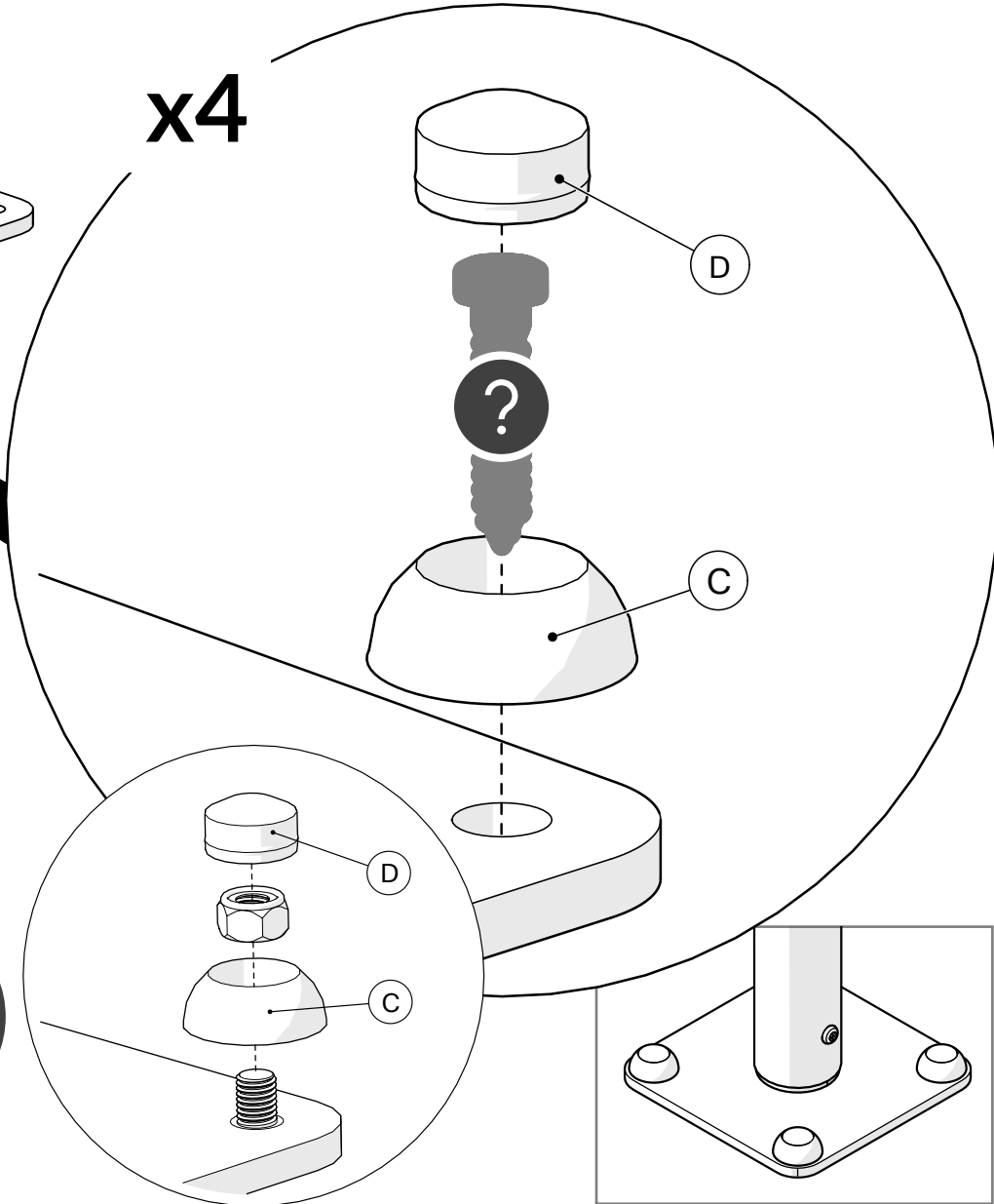
Surface

Example fixing

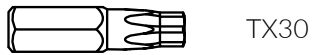
	Wood		x24
	Concrete		x24
	Brick		x24

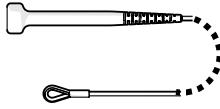
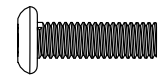
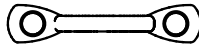


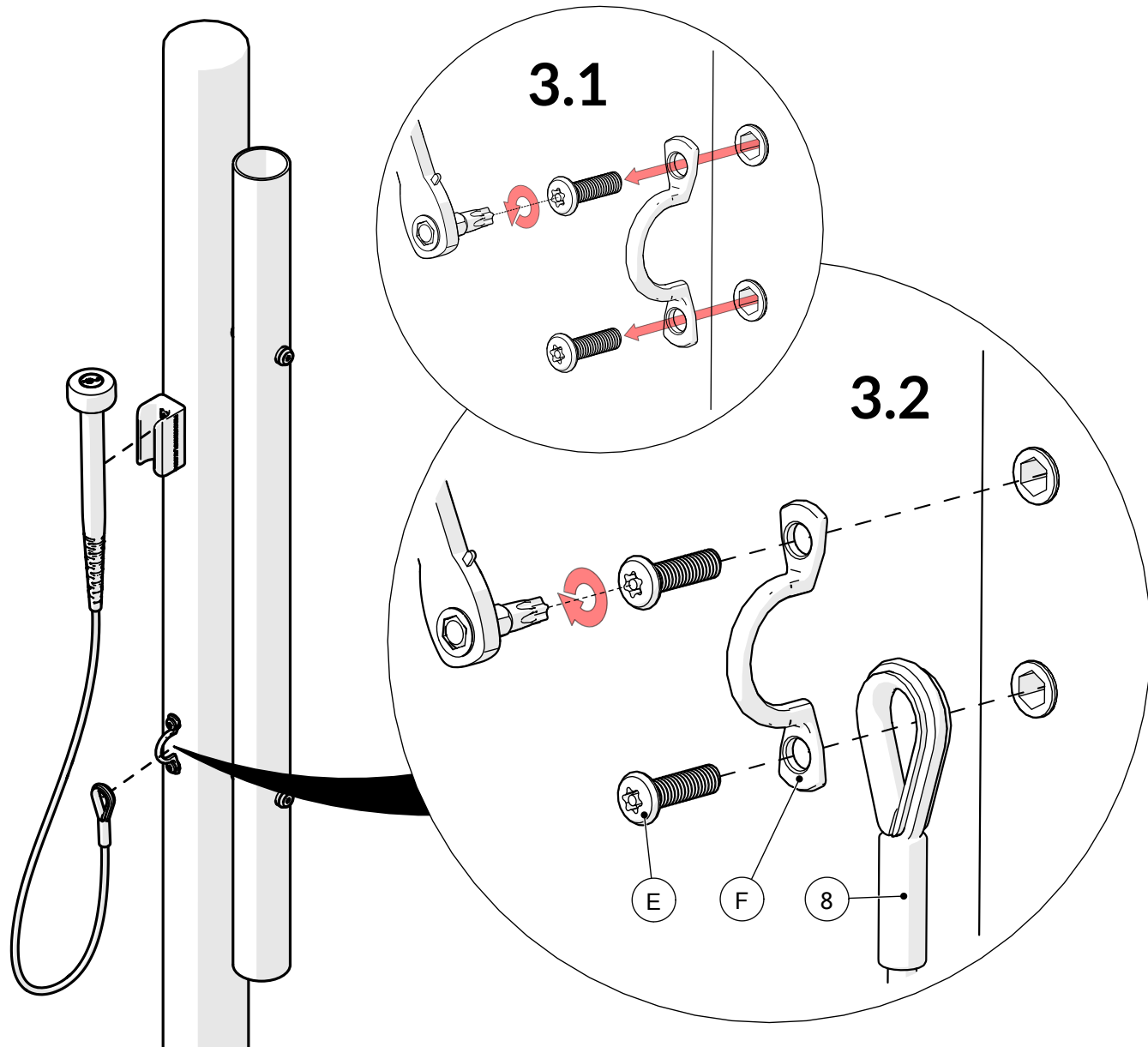
x4

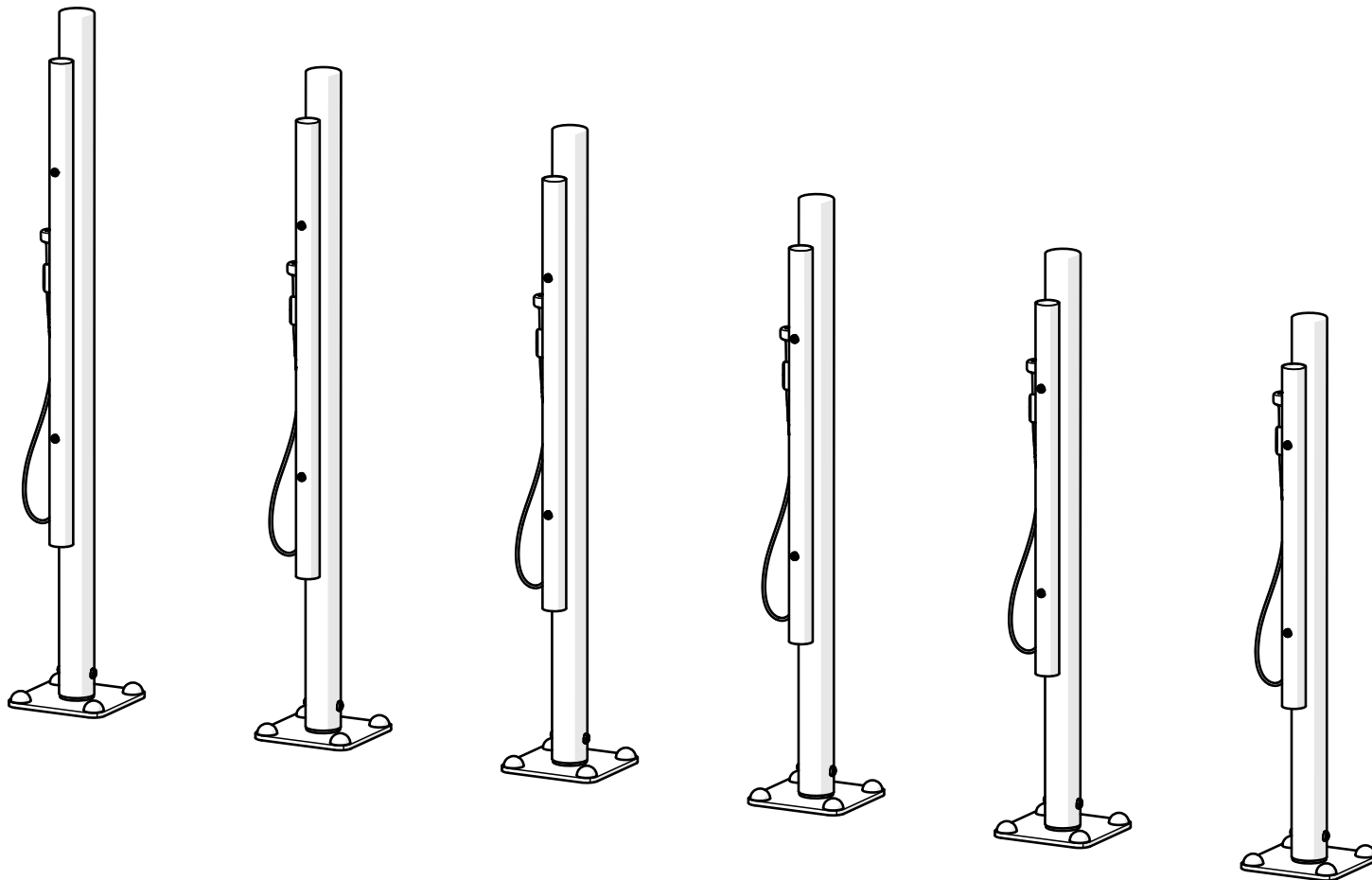


3. x6



8		x6
E		x12
F		x6





percussionplay.com



info@percussionplay.com



UK
[01730 235 180](tel:01730235180)

USA & CAN
[+1 \(866\) 882 9170](tel:+18668829170)

EUR & ROW
[+44 1730 235 180](tel:+441730235180)

Layout for illustration purposes only