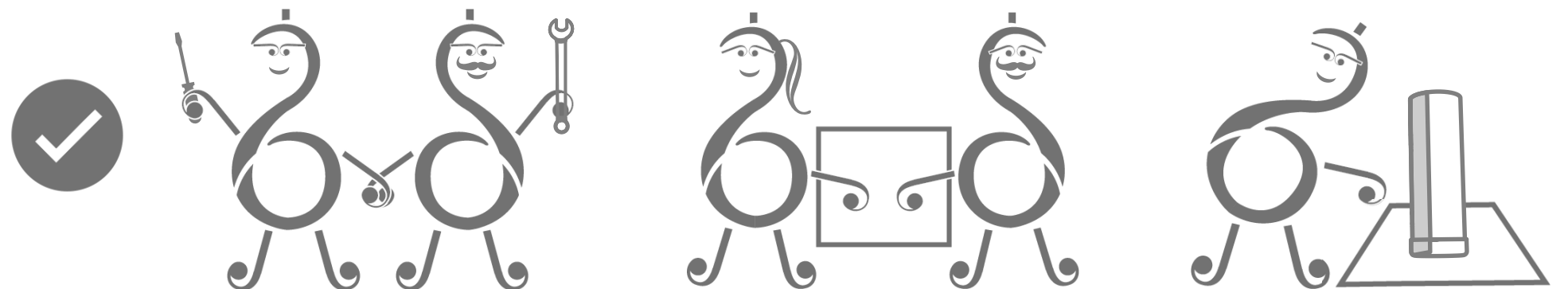
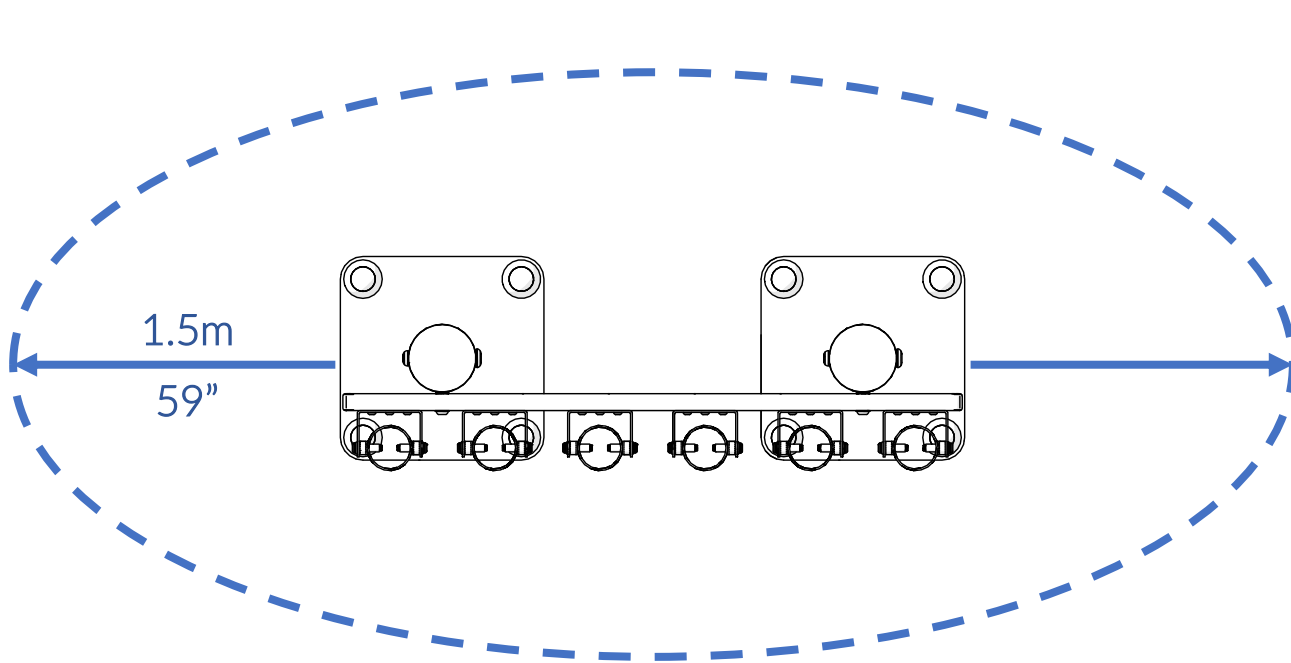


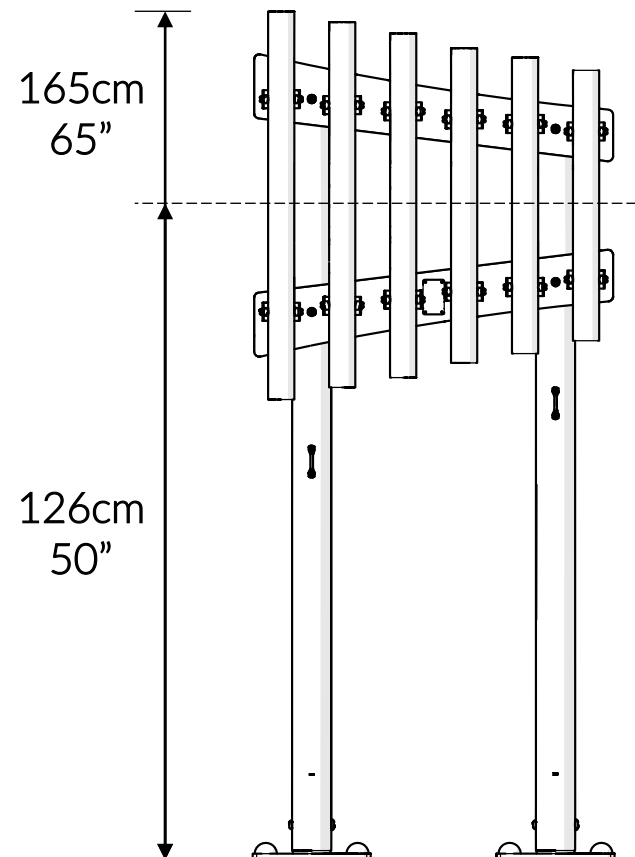
Part Reference	Description
PP-FREC-SO-PE-SU	C5-C6 Soprano Pentatonic - 6 notes (Surface Fix)



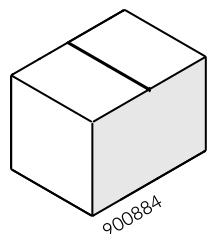




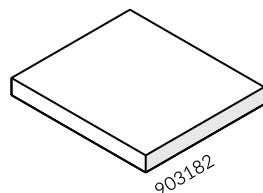
Check Risk Assessment



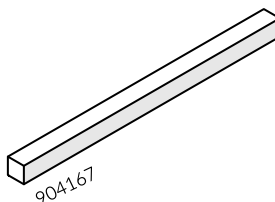
Packages



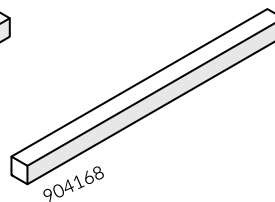
x2



x1



x1

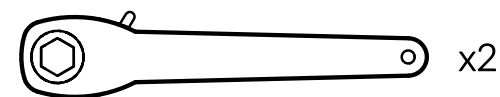


x1

		L	W	H	Weight	Net
x2	900884	23cm / 9"	23cm / 9"	31cm / 12"	6kg / 13lbs	
x1	903182	80cm / 31.5"	70cm / 27.5"	10cm / 4"	12kg / 26lbs	
x1	904167	160cm / 63"	10cm / 4"	10cm / 4"	9kg / 20lbs	
x1	904168	160cm / 63"	10cm / 4"	10cm / 4"	9kg / 20lbs	

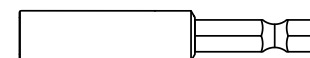
Tools required (not supplied)

¼" Bit Driver Ratchet

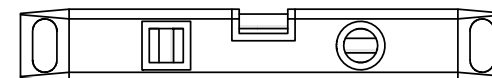


x2

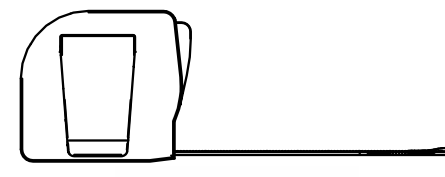
¼" hex adapter

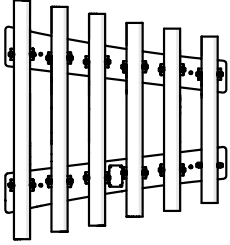
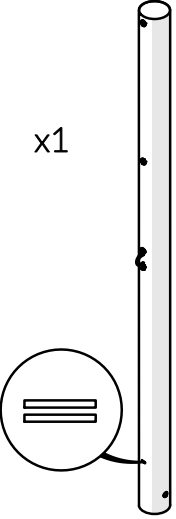
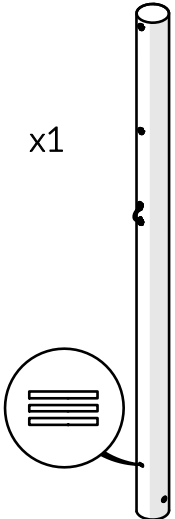
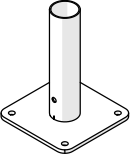
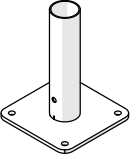





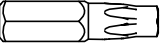
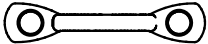
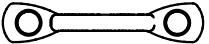

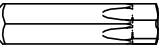
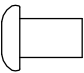

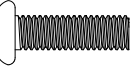
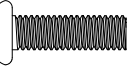

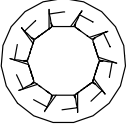




Spirit level



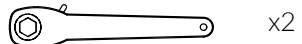
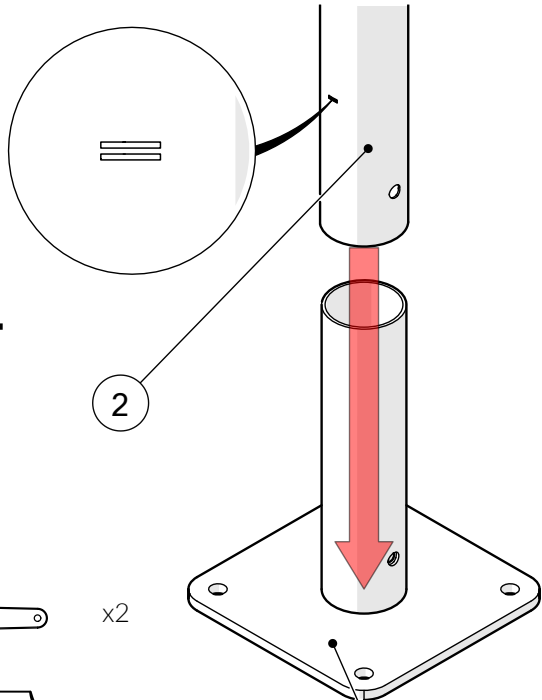
Tape Measure



903182		904167		904168		900884	x2
							
 x1		 x1		 x1		 x1 800878	
 x2 900837	TX30 x1 500473 	 x1 603150		 x1 603150		 x1 500667	
	TX40 x1 500474 					 x1 500613	
	 x4 502452	 x2 500746		 x2 500746		 x4 601543	
	 x4 500456					 x4 601542	
						TX45 x2 500720 	
Not to scale							

1.

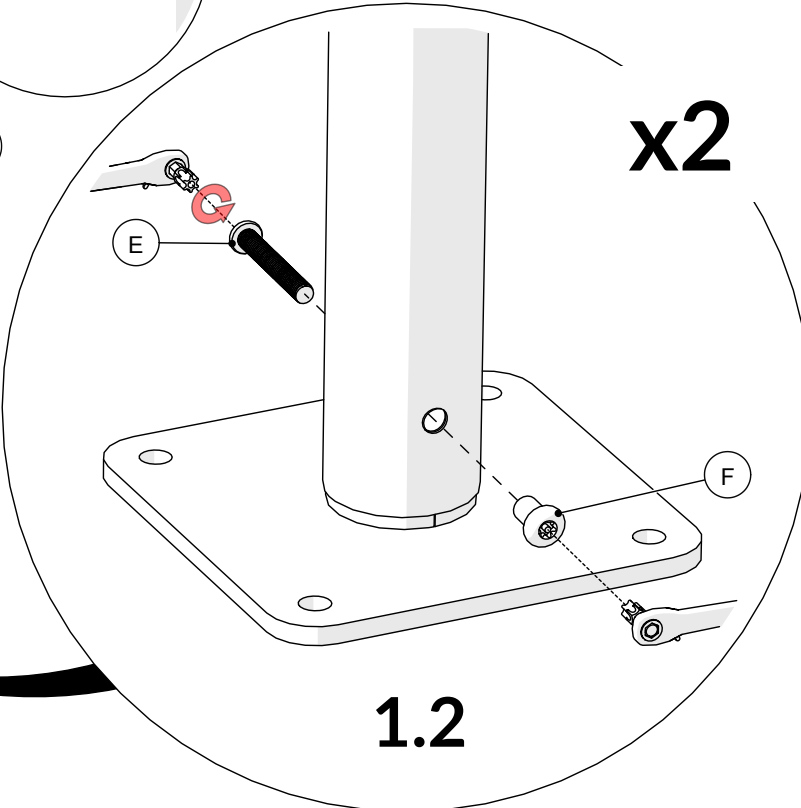
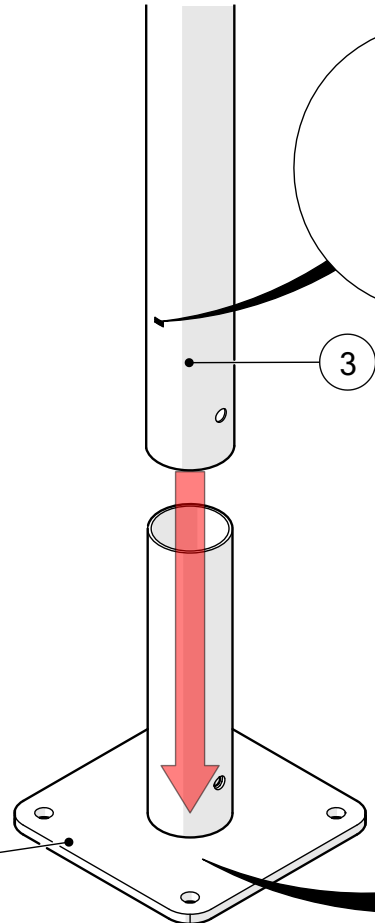
1.1



x2



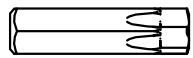
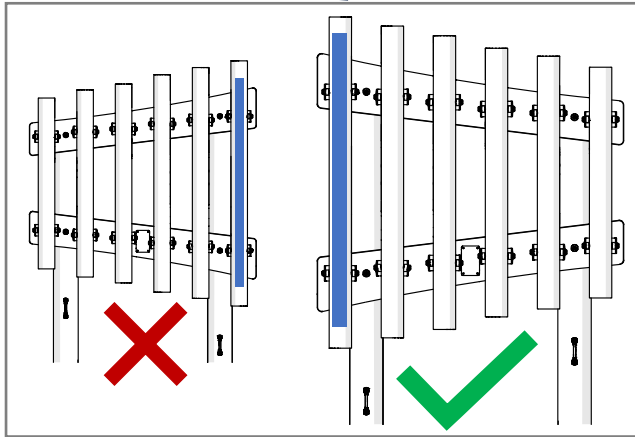
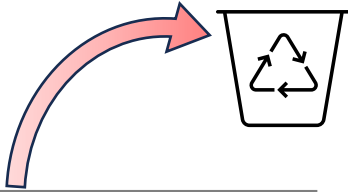
x2 TX45




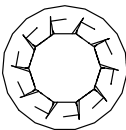
1.2

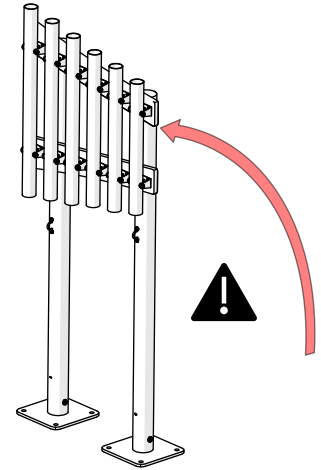
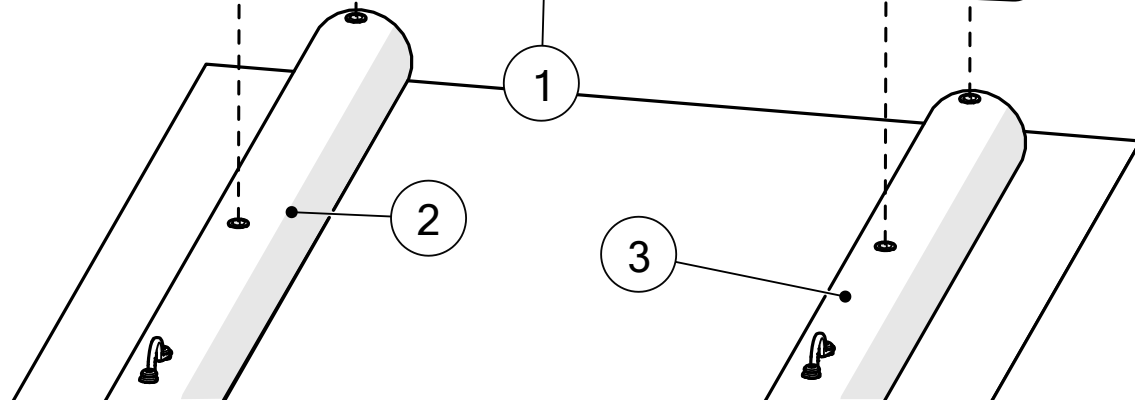
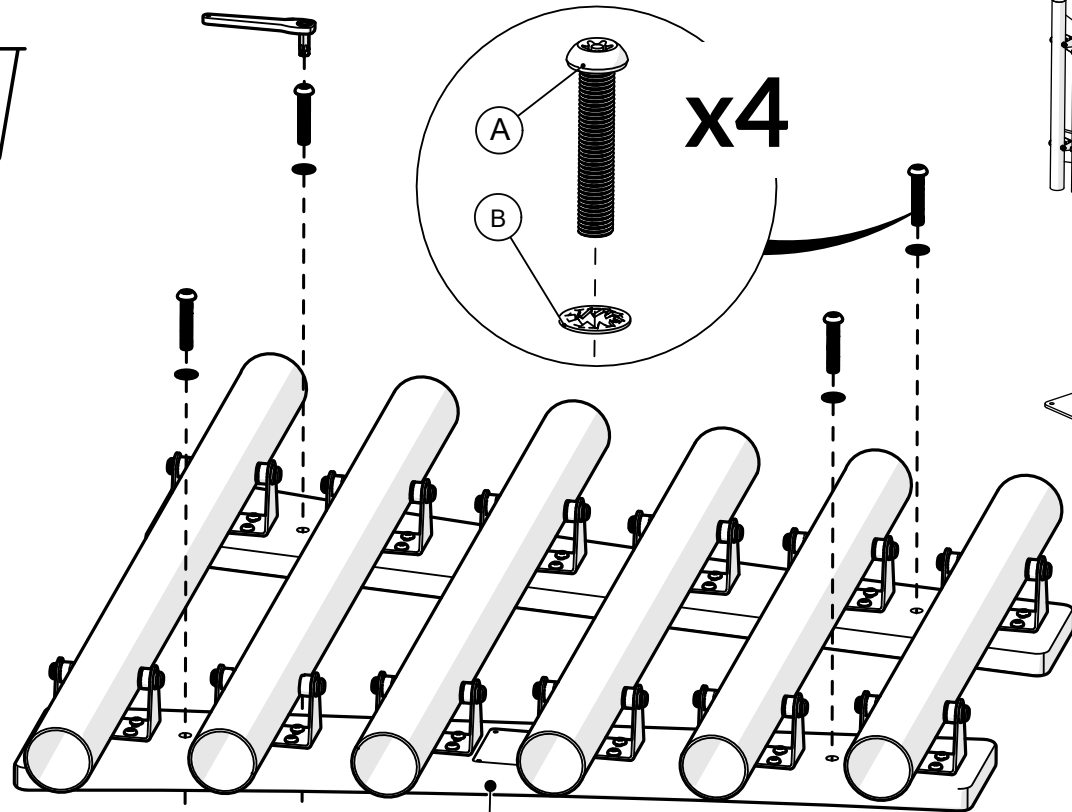
E		x2
F		x2

2.



TX40

A		x4
B		x4



3. x2

Surface fixing should not present a hazard



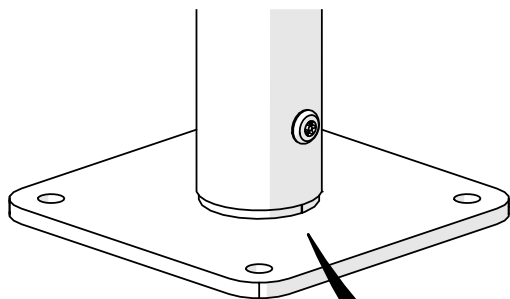
Refer to your local Health & Safety standards

G		x8
H		x8

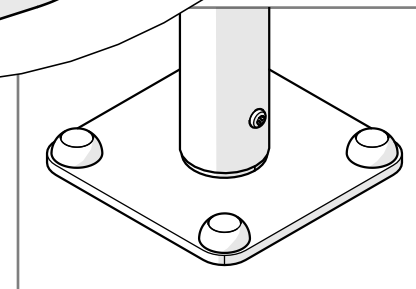
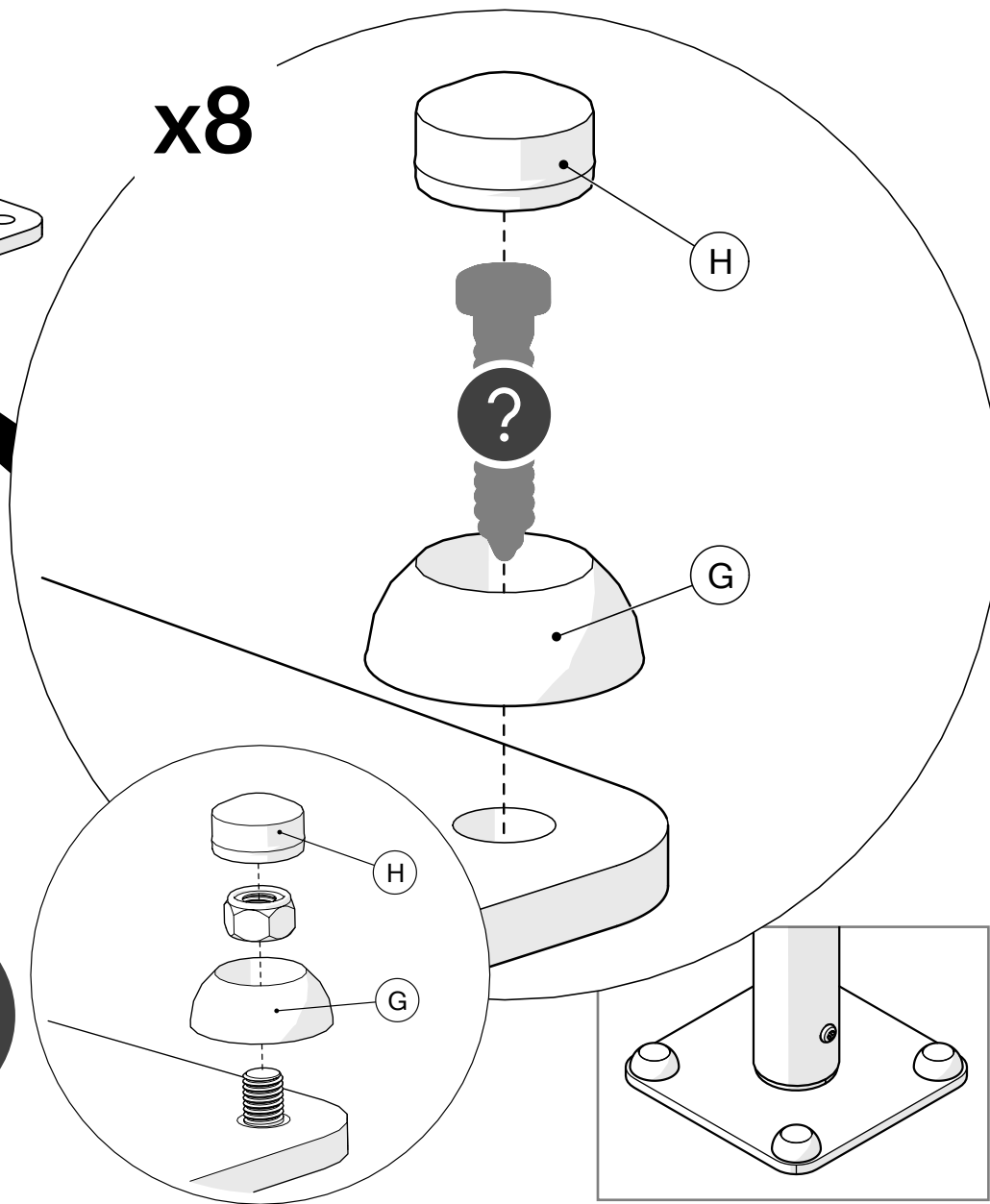
Surface

Example fixing

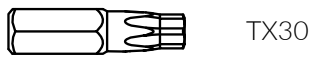
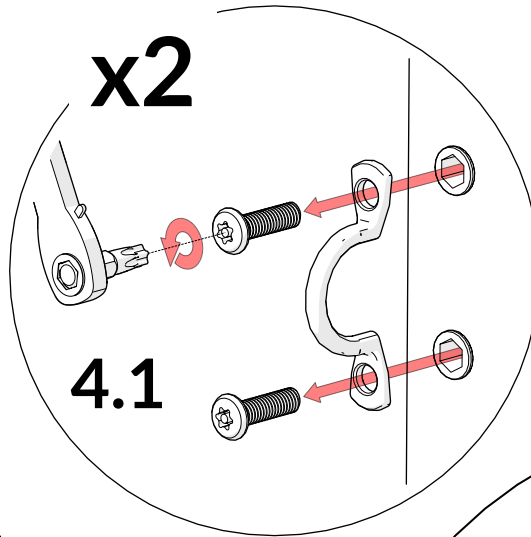
	Wood		x8
	Concrete		x8
	Brick		x8



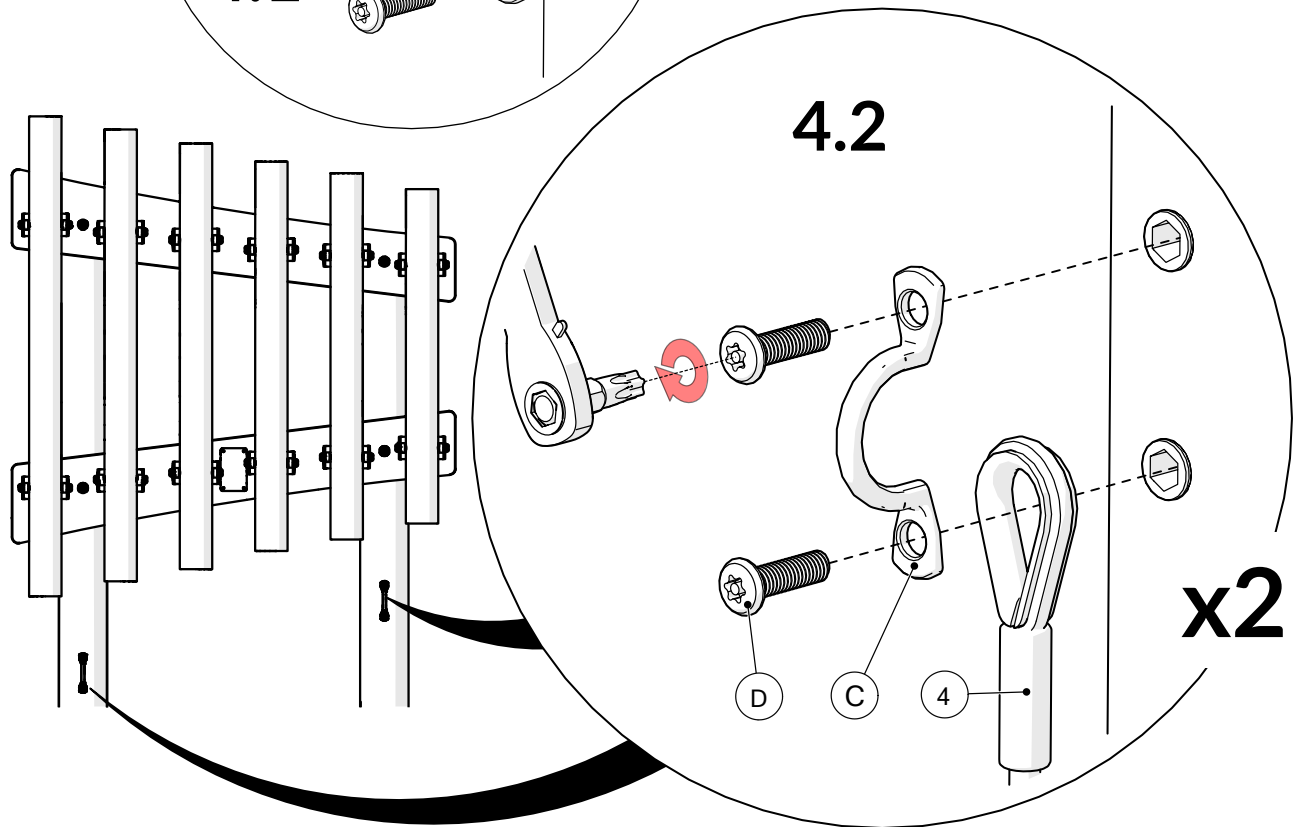
x8

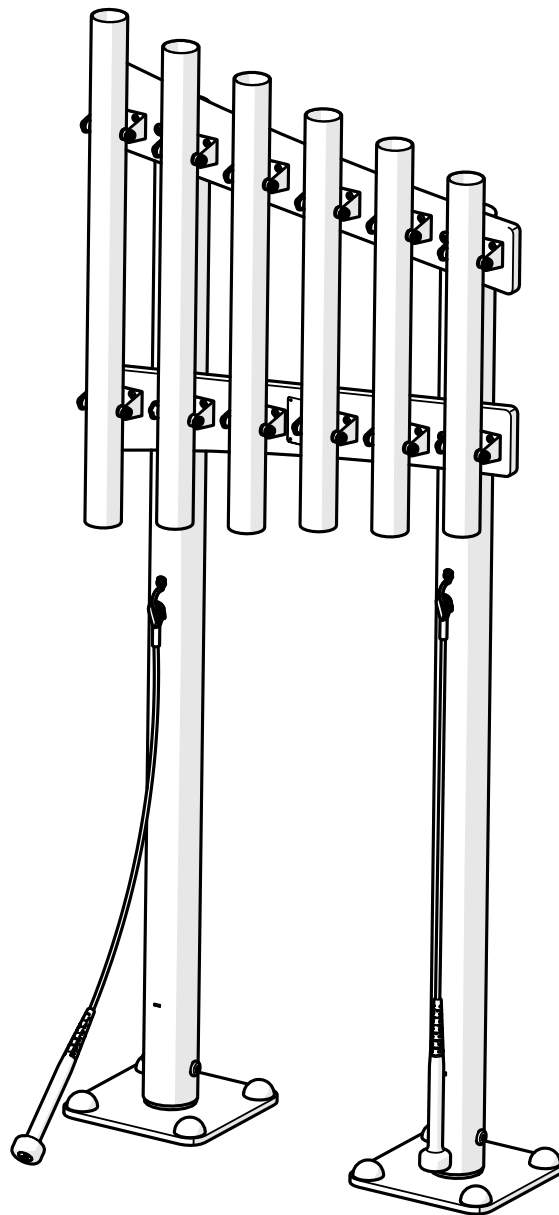


4.



4		x2
C		x2
D		x4





percussionplay.com



info@percussionplay.com



UK
[01730 235 180](tel:01730235180)

USA & CAN
[+1 \(866\) 882 9170](tel:+18668829170)

EUR & ROW
[+44 1730 235 180](tel:+441730235180)