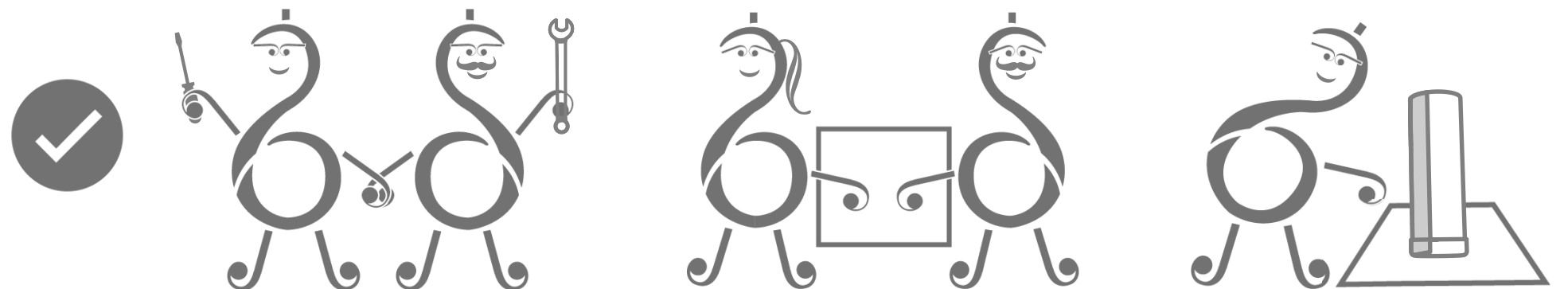
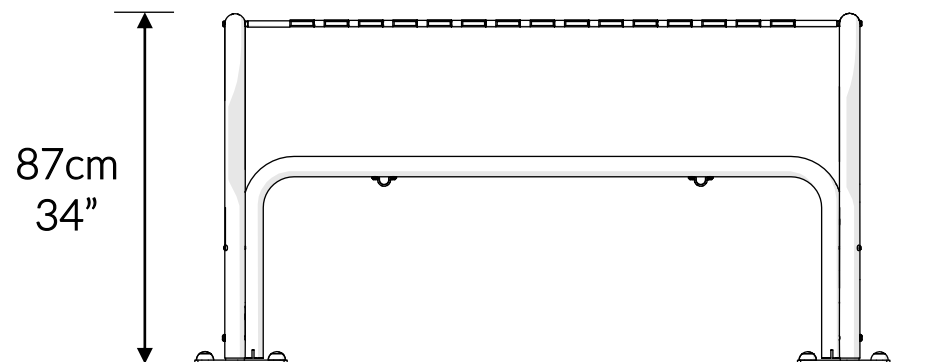
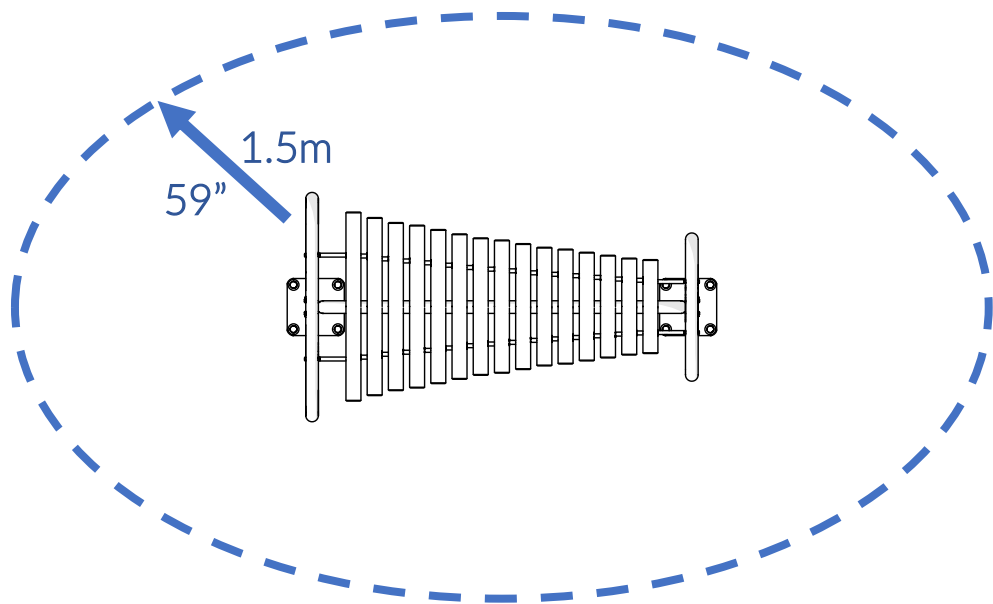


Part Reference	Description
PP-MARI-SU	Marimba - GRP Note Bars (Surface Fix)

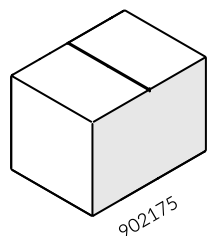




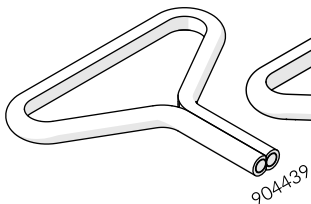


Check Risk Assessment

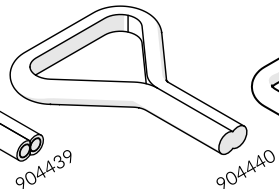
Packages



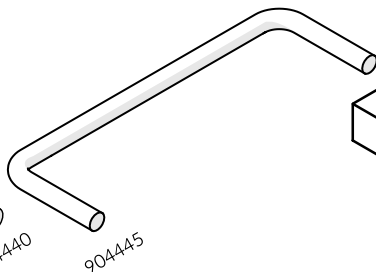
x2



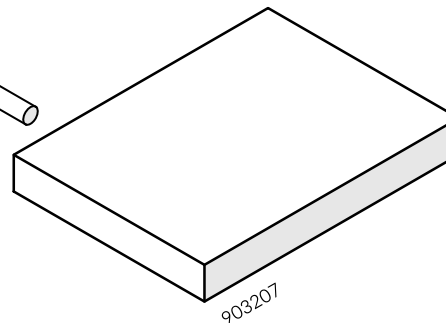
x1



x1



x1

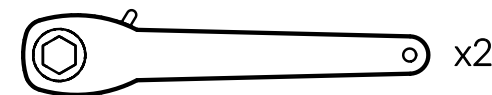


x1

		L	W	H	Weight	Net
x2	902175	32cm / 12.5"	23cm / 9"	23cm / 9"	6kg / 13lbs	
x1	904439	87cm / 34"	94cm / 37"	8cm / 3"	8kg / 17.6lbs	
x1	904440	87cm / 34"	63cm / 25"	8cm / 3"	8kg / 17.6lbs	
x1	904445	151cm / 59.5"	51cm / 20"	8cm / 3"	8kg / 17.6lbs	
x1	903207	120cm / 47"	90cm / 35.5"	15cm / 6"	19kg / 42lbs	

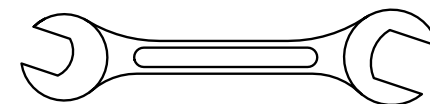
Tools required  
(not supplied)

¼" Bit Driver Ratchet

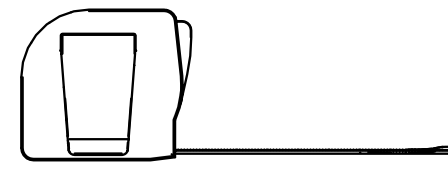


x2

11/16" / 17mm Spanner



Tape Measure

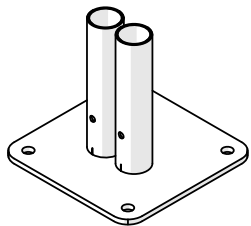


902175

x2

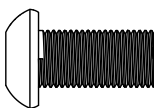
① x1

801918



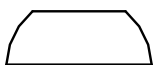
Ⓐ x2

501203



Ⓒ x4

601543



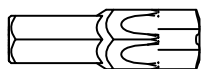
Ⓓ x4

601542



TX45 x1

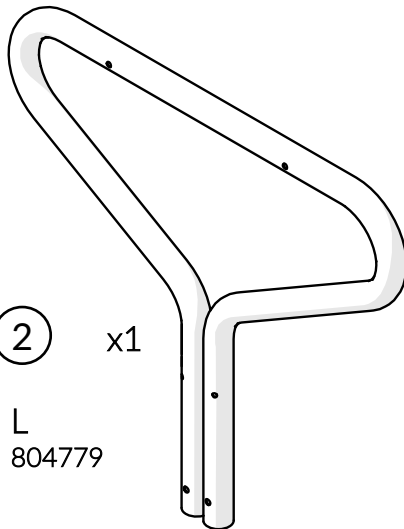
500720



904439

② x1

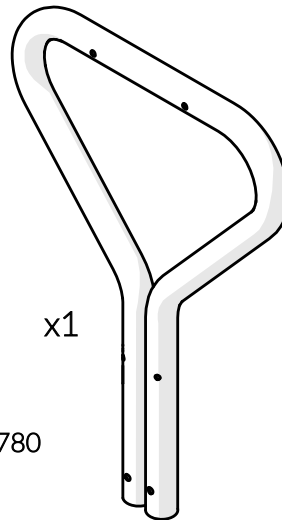
L  
804779



904440

③ x1

S  
804780

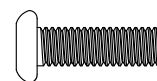


904445

④ x1

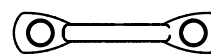
Ⓔ x4

500746



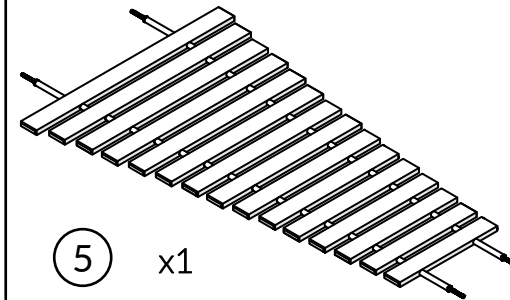
Ⓕ x2

603150



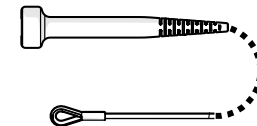
903207

⑤ x1



⑥ x4

900832



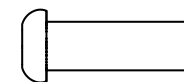
Ⓑ x4

500680



Ⓖ x4

501412



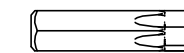
TX30 x1

500473



TX40 x1

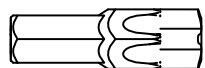
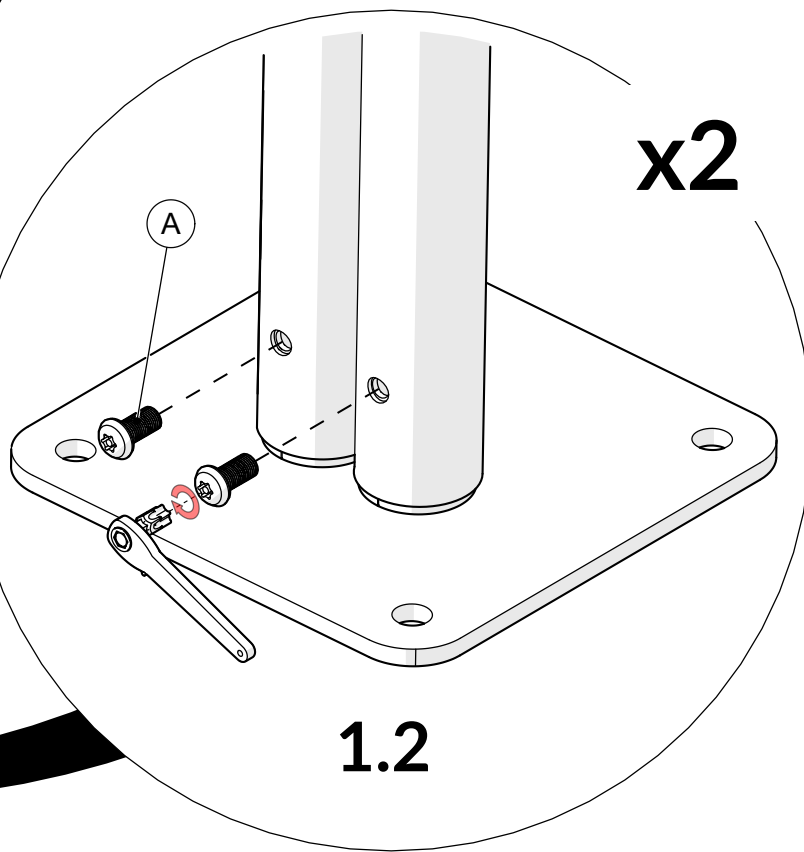
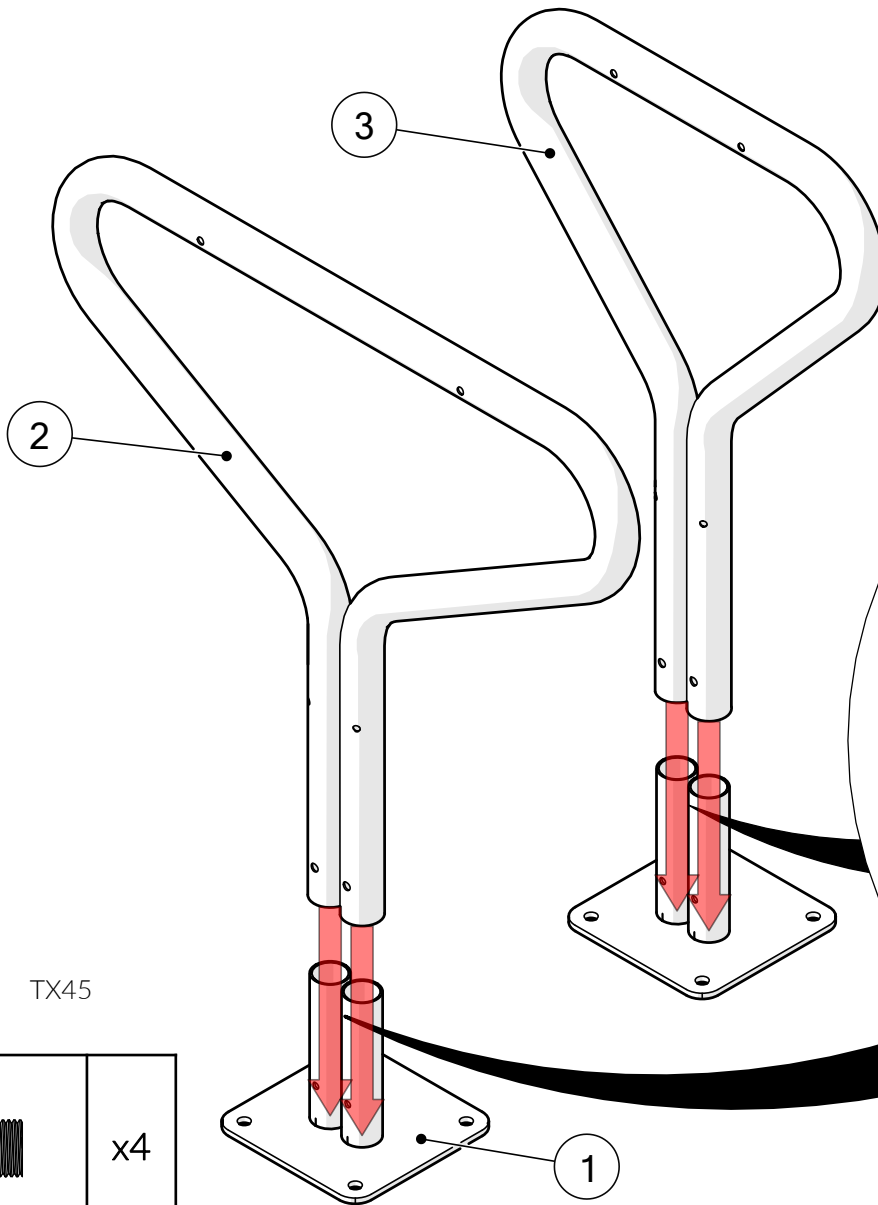
500474



Not to scale

1.

1.1



TX45

A		x4
---	--	----

2.

2.1


4

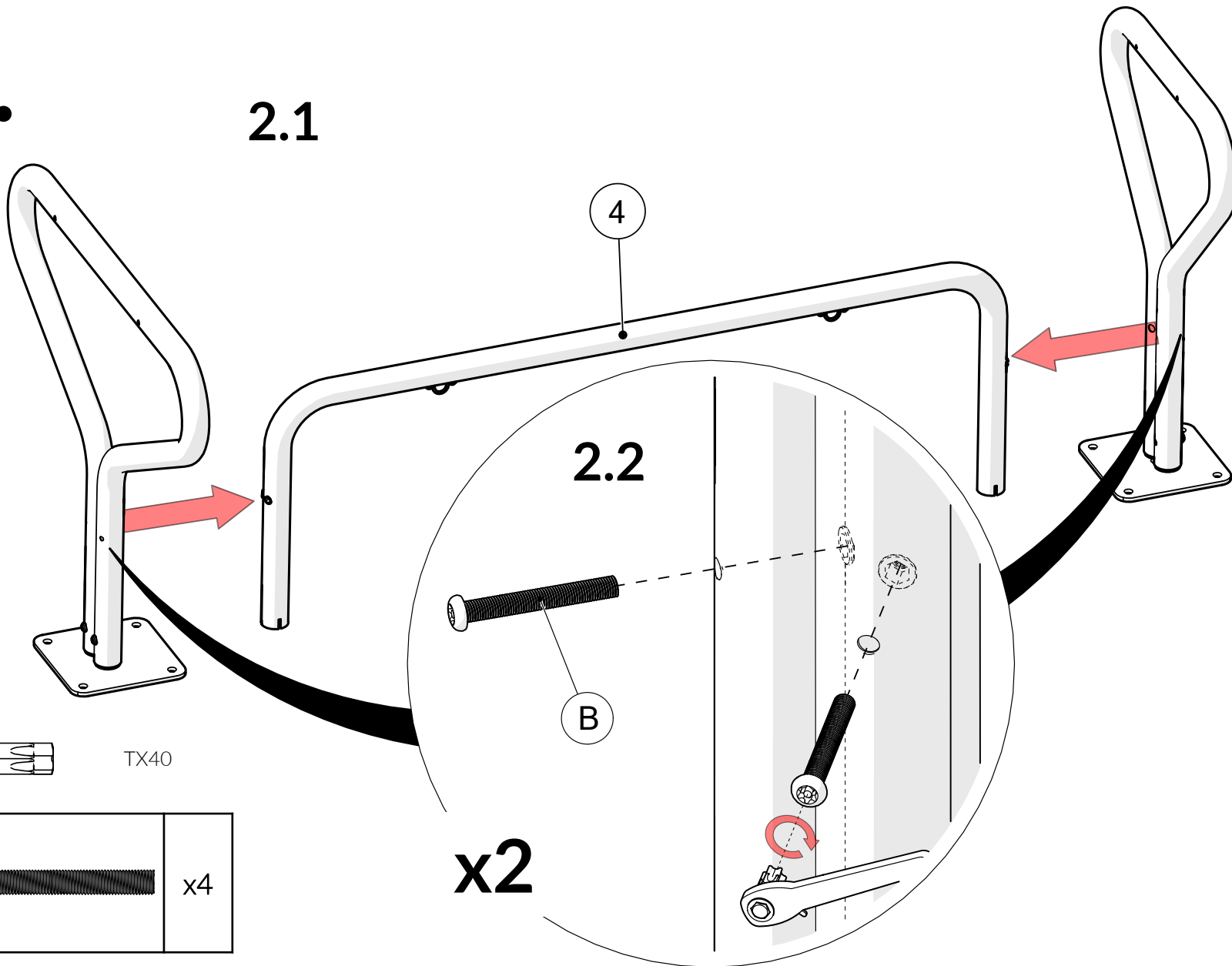
2.2

B

x2

TX40

B		x4
---	---	----



# 3. x2

Surface fixing should not present a hazard



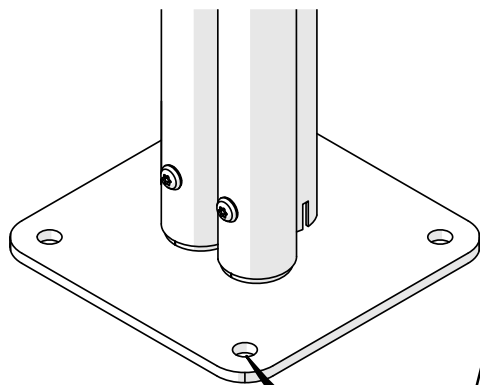
Refer to your local Health & Safety standards

C		x8
D		x8

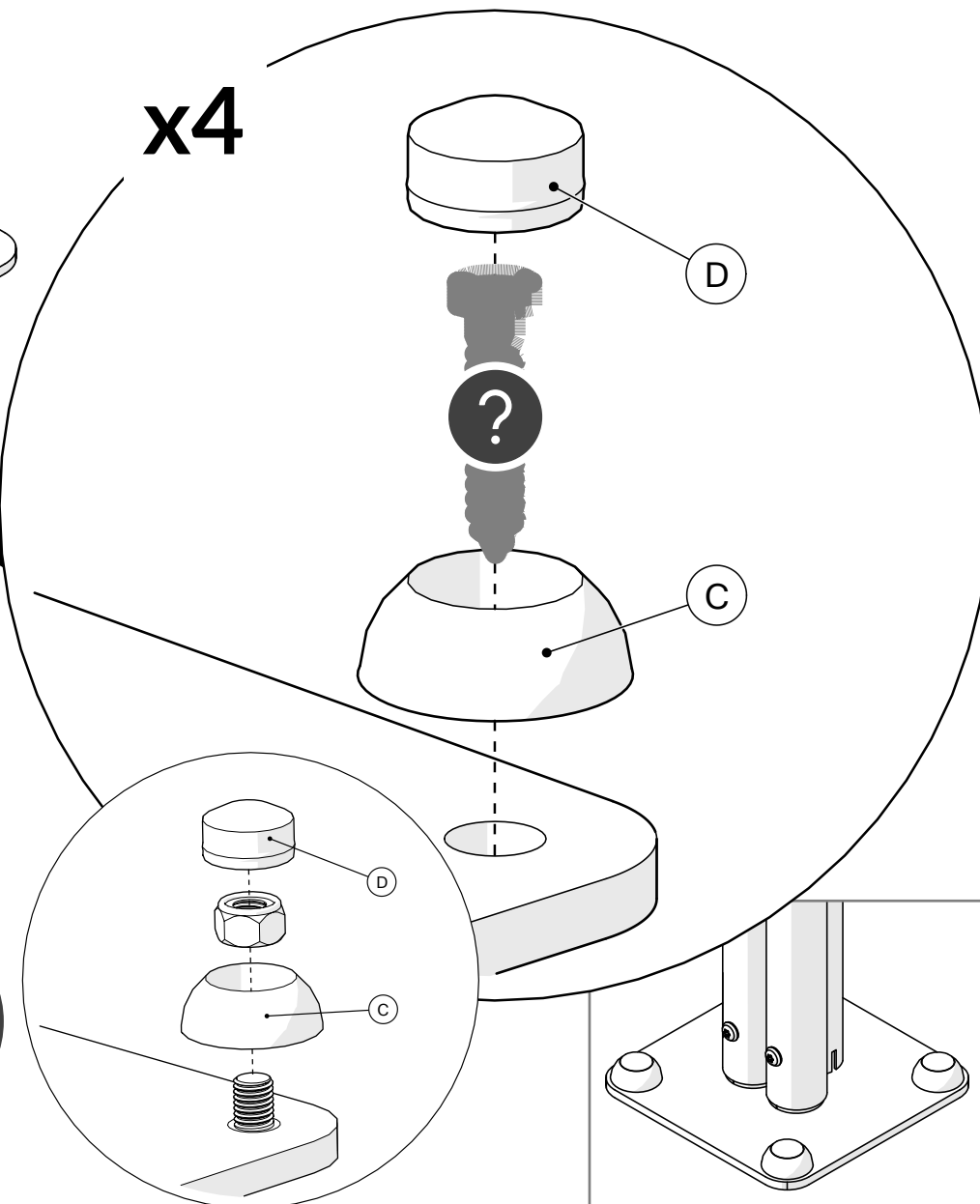
Surface

Example fixing

	Wood		x8
	Concrete		x8
	Brick		x8

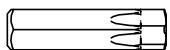
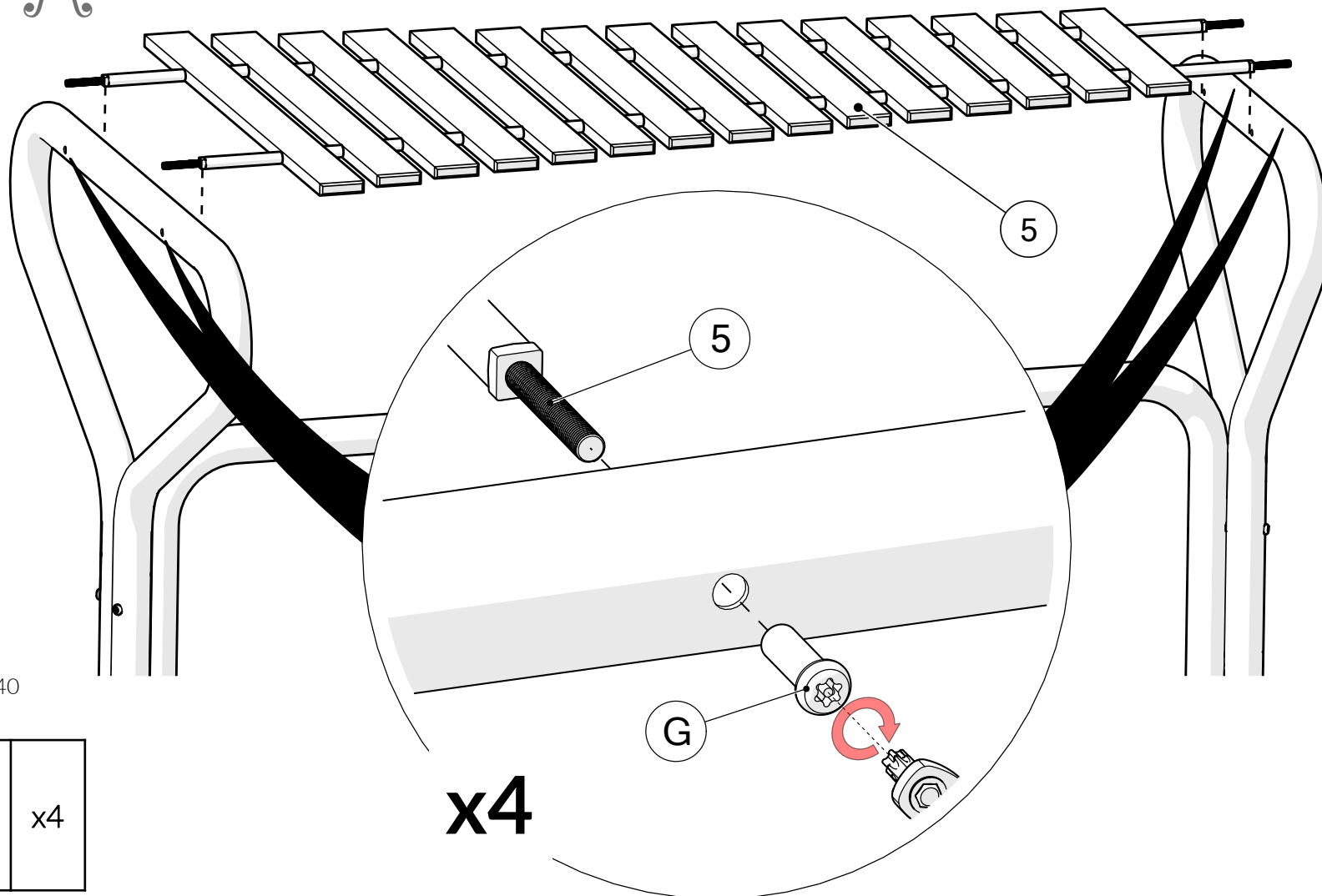
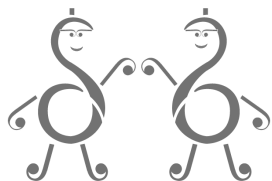


x4





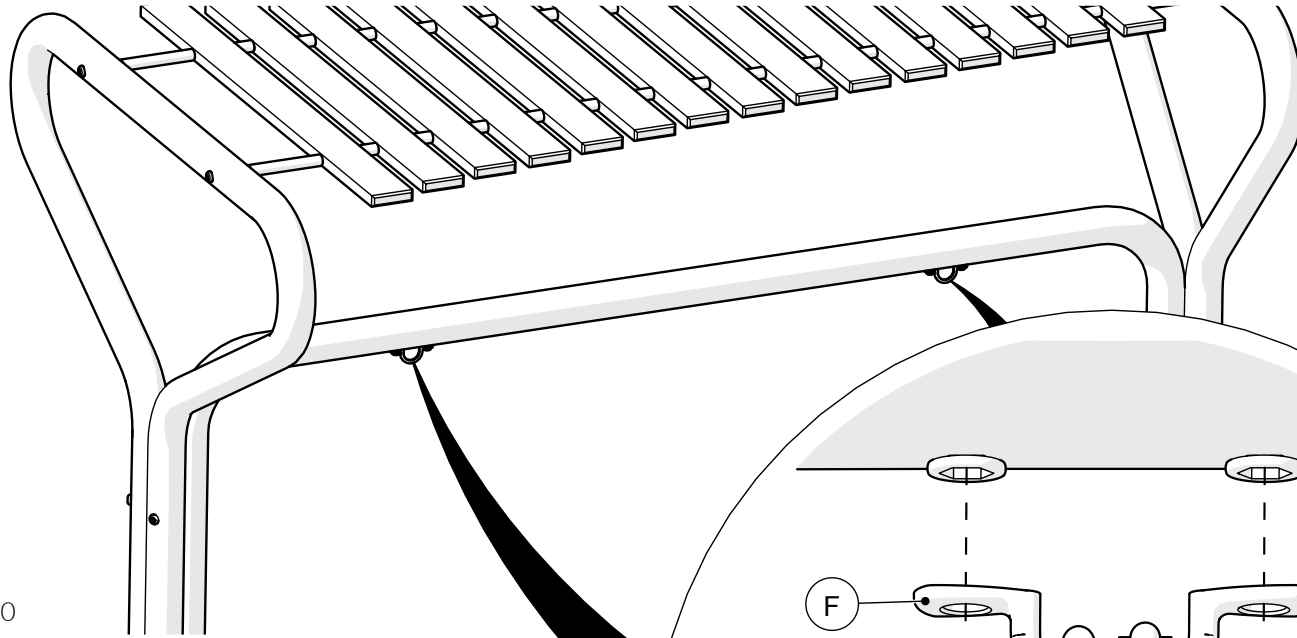
4.



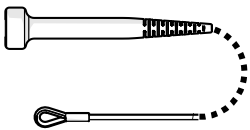
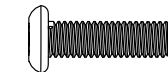
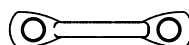
TX40

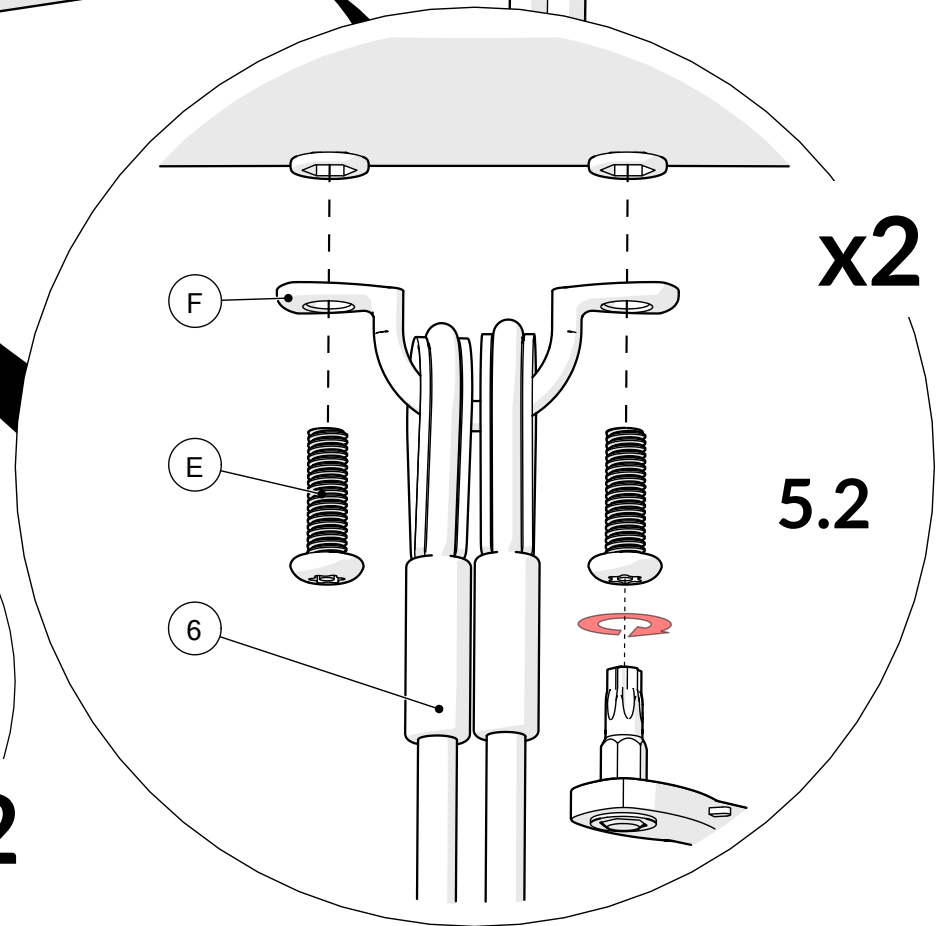
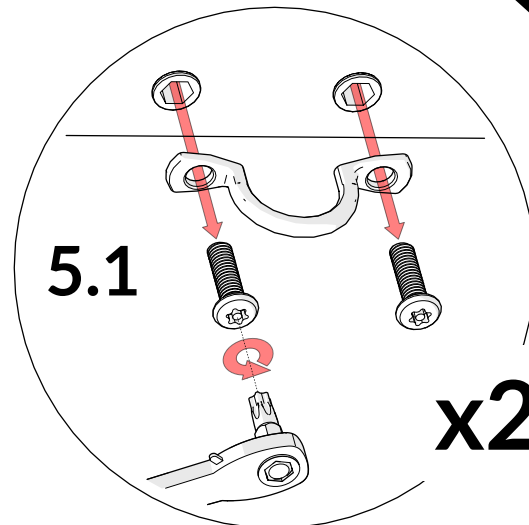
G		x4
---	--	----

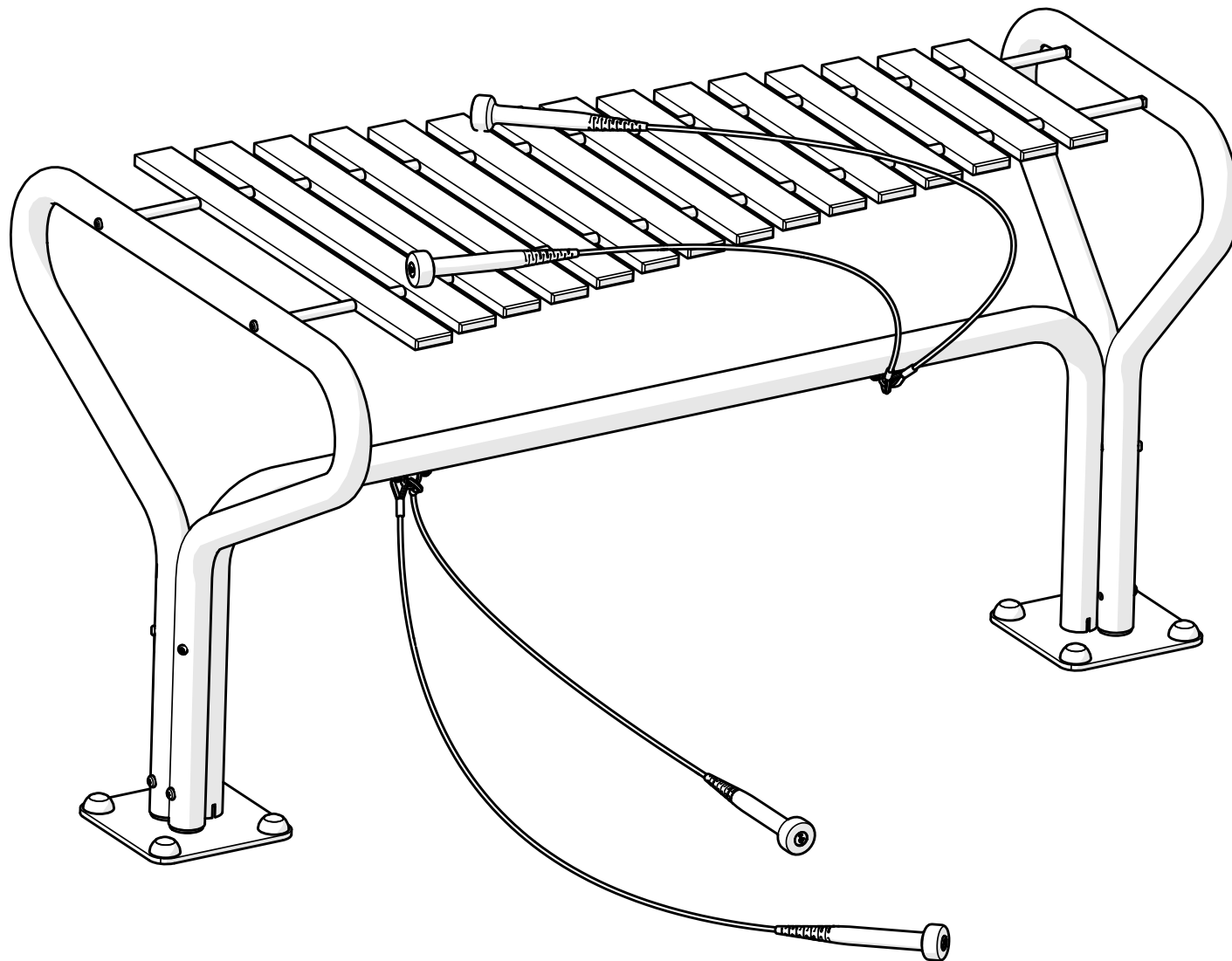
5.



TX30

6		x4
E		x4
F		x2





[percussionplay.com](http://percussionplay.com)



[info@percussionplay.com](mailto:info@percussionplay.com)



UK  
[01730 235 180](tel:01730235180)

USA & CAN  
[+1 \(866\) 882 9170](tel:+18668829170)

EUR & ROW  
[+44 1730 235 180](tel:+441730235180)