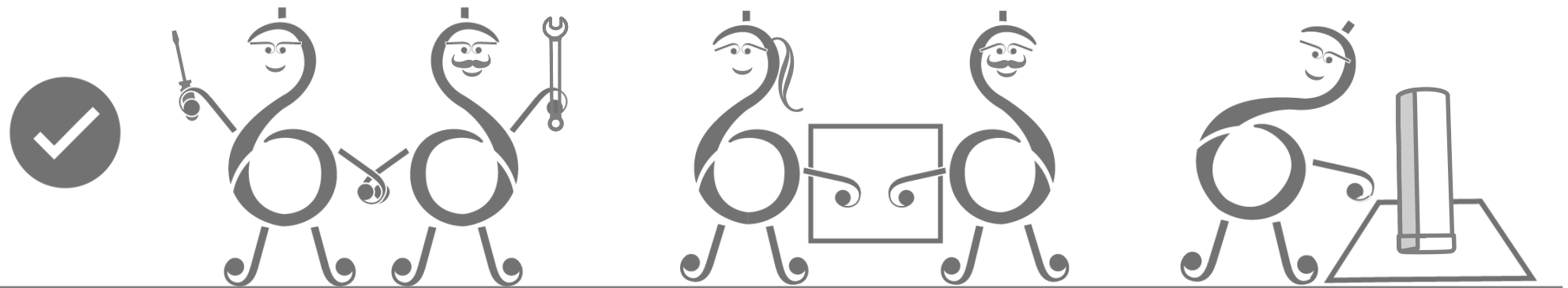
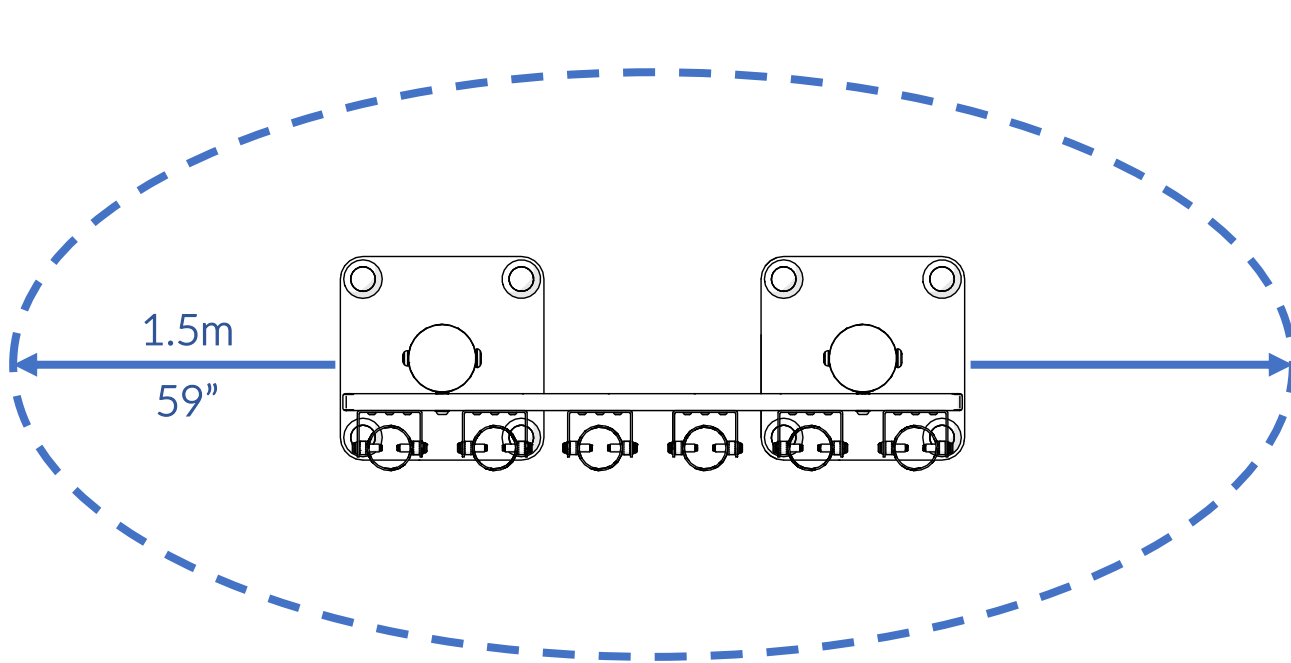


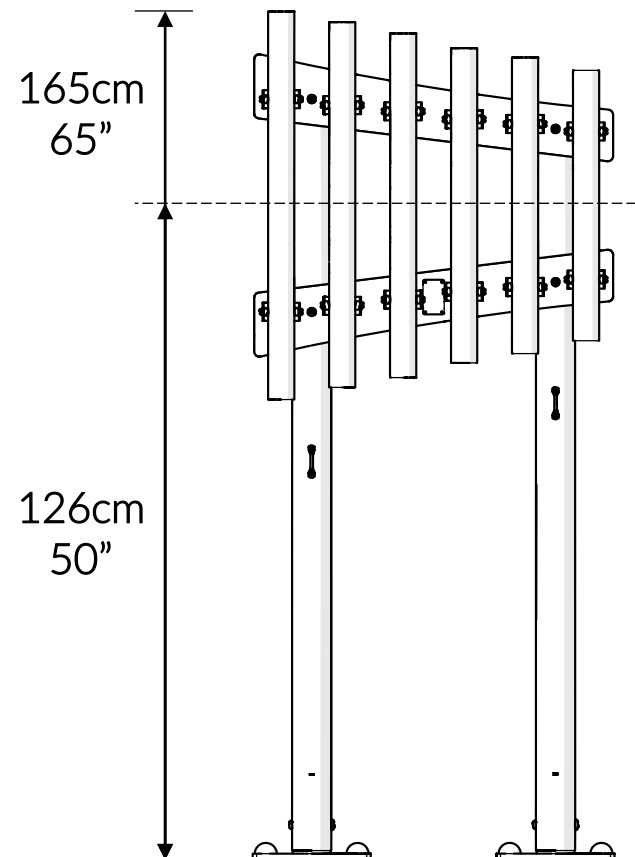
Part Reference	Description
PP-RTCH-RB-SU	Rainbow Trio Chimes (Surface Fix)



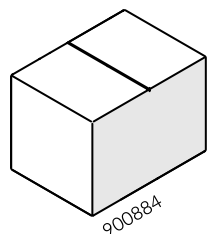




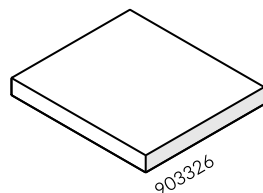
Check Risk Assessment



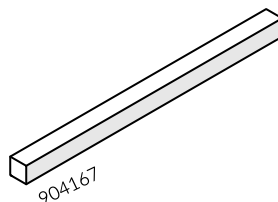
Packages



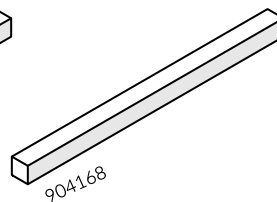
x2



x1



x1



x1

		L	W	H	Weight	Net
x2	900884	23cm / 9"	23cm / 9"	31cm / 12"	6kg / 13lbs	
x1	903326	80cm / 31.5"	70cm / 27.5"	10cm / 4"	12kg / 26lbs	
x1	904167	160cm / 63"	10cm / 4"	10cm / 4"	9kg / 20lbs	
x1	904168	160cm / 63"	10cm / 4"	10cm / 4"	9kg / 20lbs	

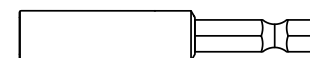
Tools required (not supplied)

¼" Bit Driver Ratchet

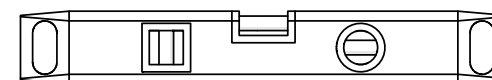


x2

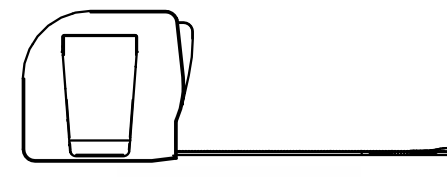
¼" hex adapter

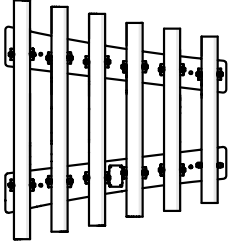
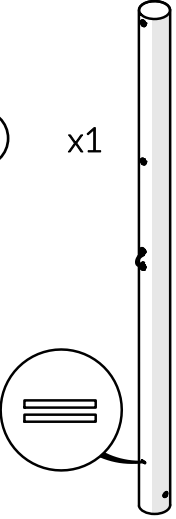
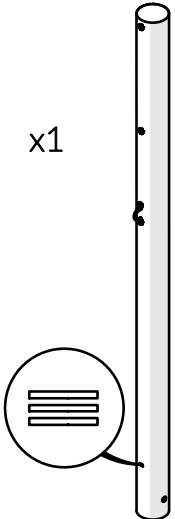
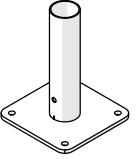

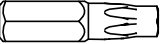
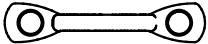
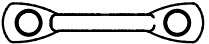
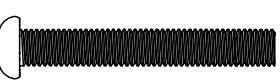
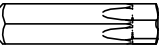
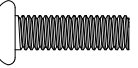
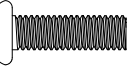
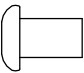
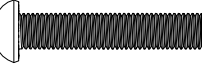

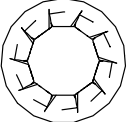




Spirit level



Tape Measure

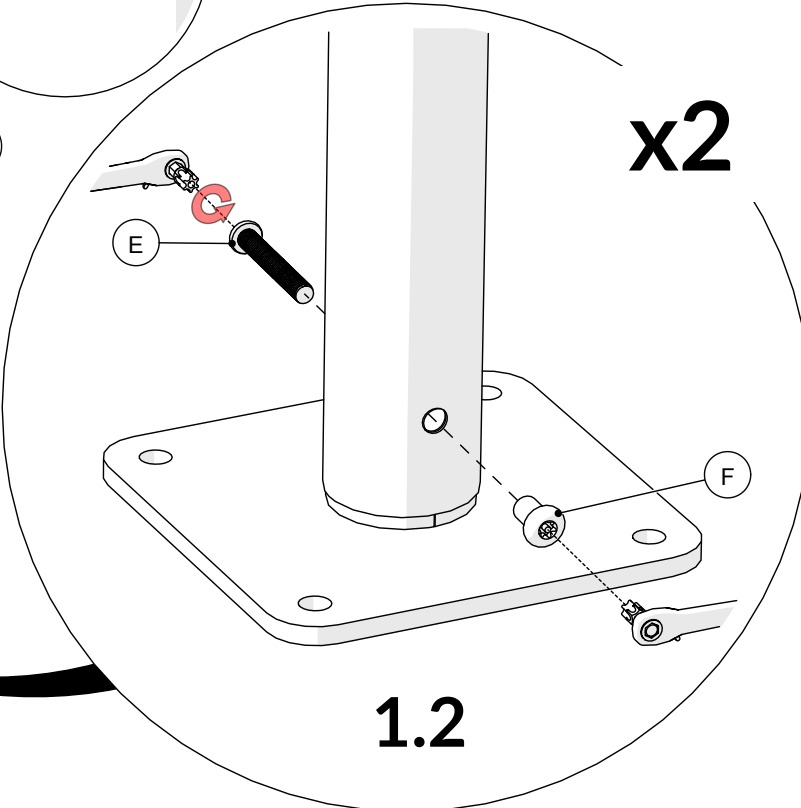
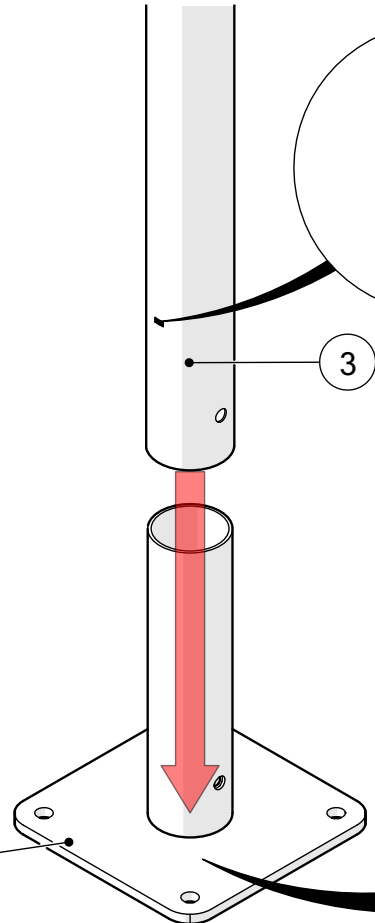
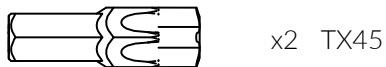
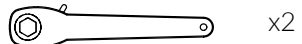
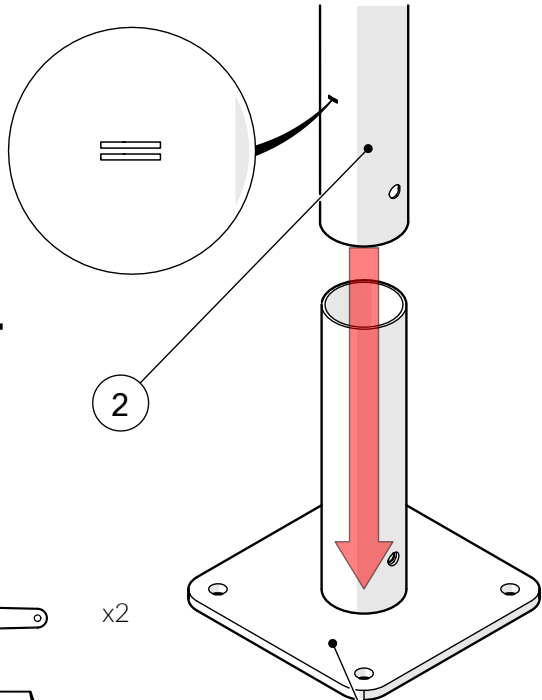



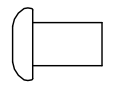
903326		904167	904168	900884	x2
<p>① x1</p> 		<p>② x1</p> 	<p>③ x1</p> 	<p>⑤ x1 800878</p> 	
<p>④ x2 900837</p> 	<p>TX30 x1 500473</p> 	<p>Ⓒ x1 603150</p> 	<p>Ⓒ x1 603150</p> 	<p>Ⓔ x1 500667</p> 	
	<p>TX40 x1 500474</p> 	<p>Ⓓ x2 500746</p> 	<p>Ⓓ x2 500746</p> 	<p>Ⓕ x1 500613</p> 	
	<p>Ⓐ x4 502452</p> 			<p>Ⓖ x4 601543</p> 	
	<p>Ⓑ x4 500456</p> 			<p>Ⓖ x4 601542</p> 	
				<p>TX45 x2 500720</p> 	

Not to scale

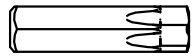
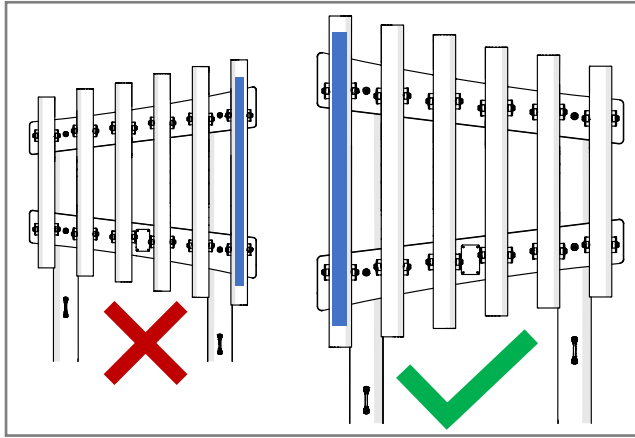
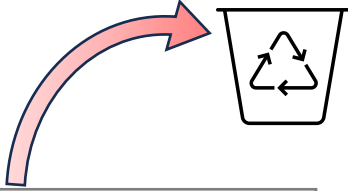
1.

1.1


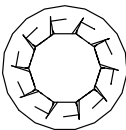


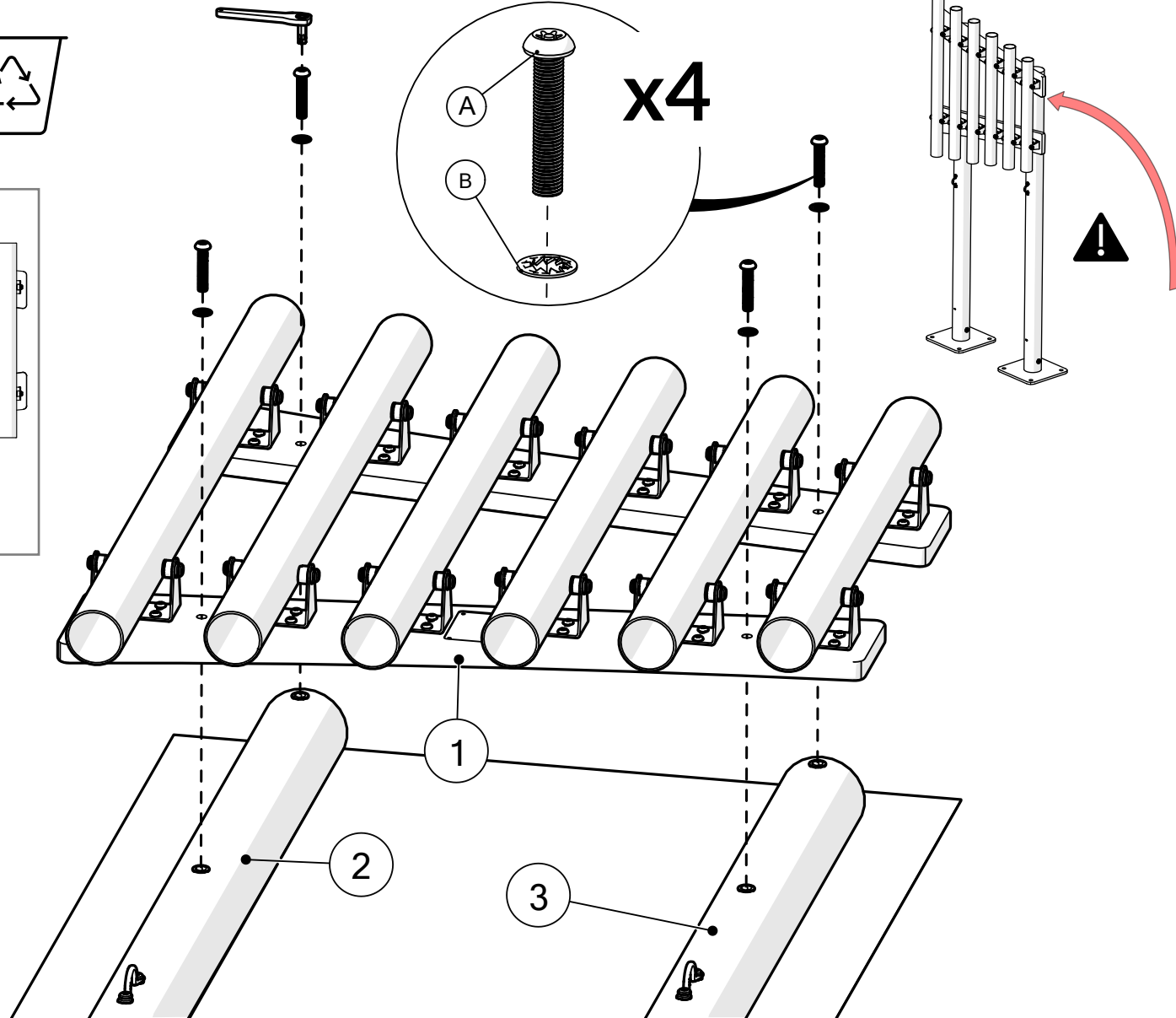
E		x2
F		x2

2.



TX40

A		x4
B		x4



3. x2

Surface fixing should not present a hazard



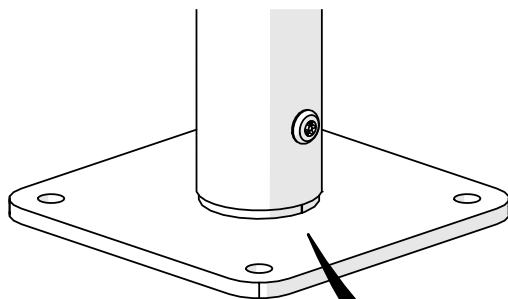
Refer to your local Health & Safety standards

G		x8
H		x8

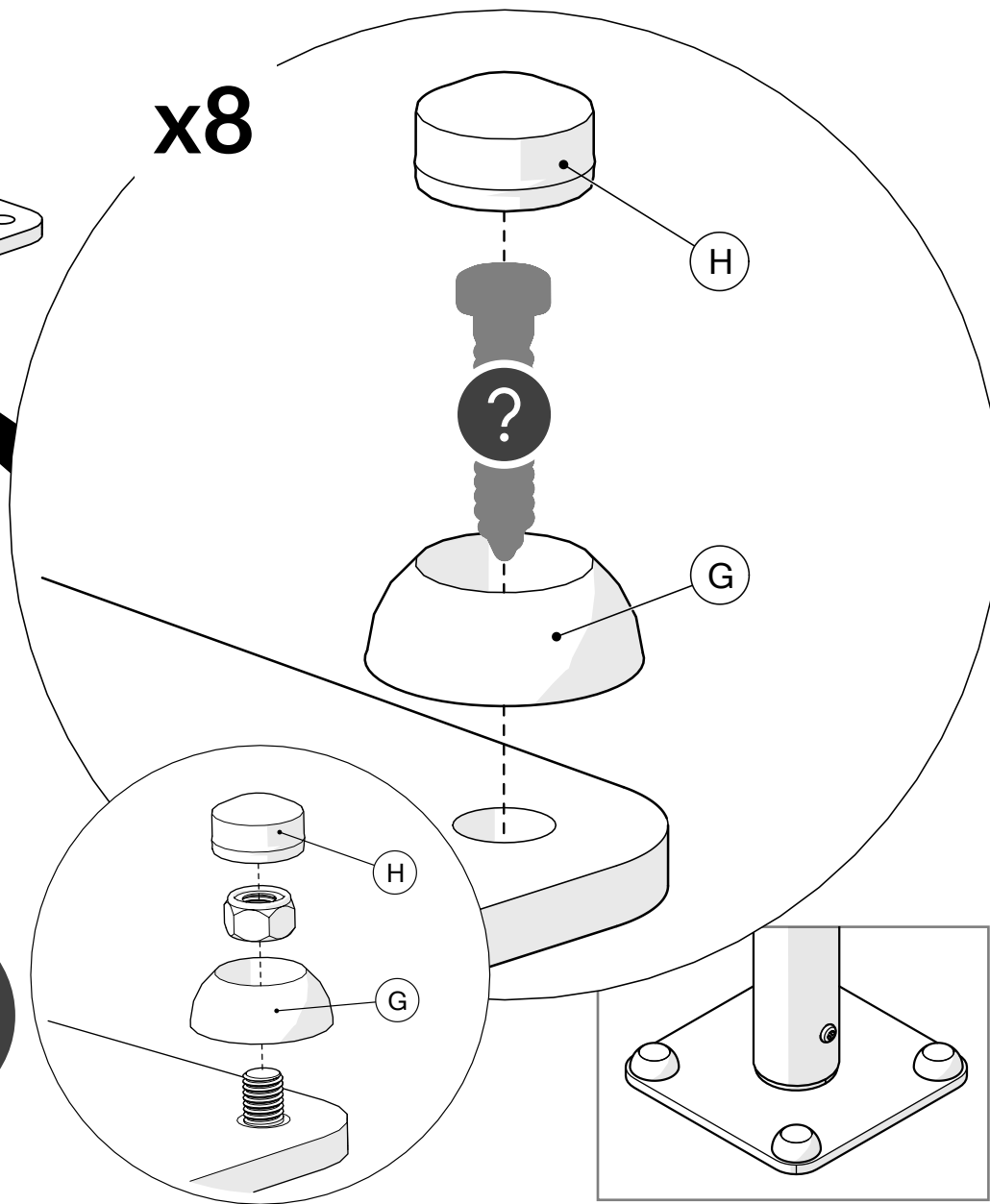
Surface

Example fixing

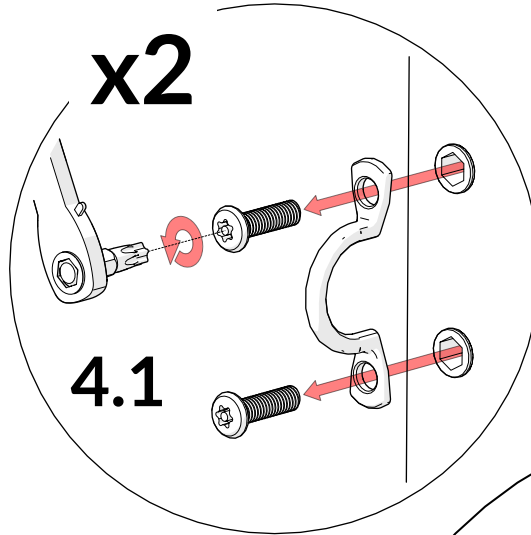
	Wood		x8
	Concrete		x8
	Brick		x8



x8

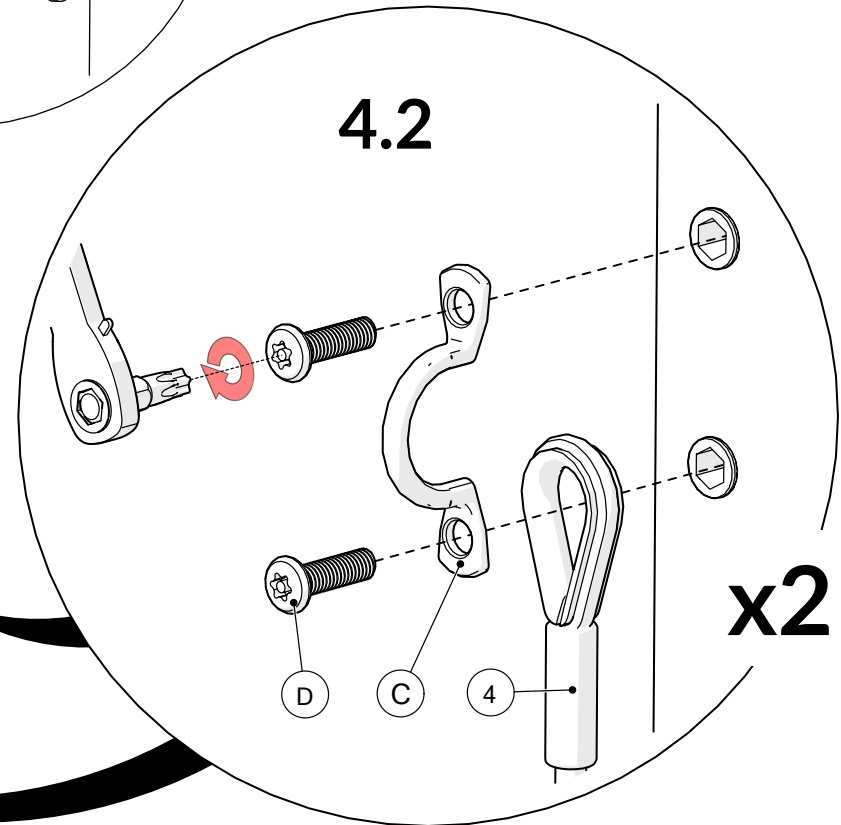
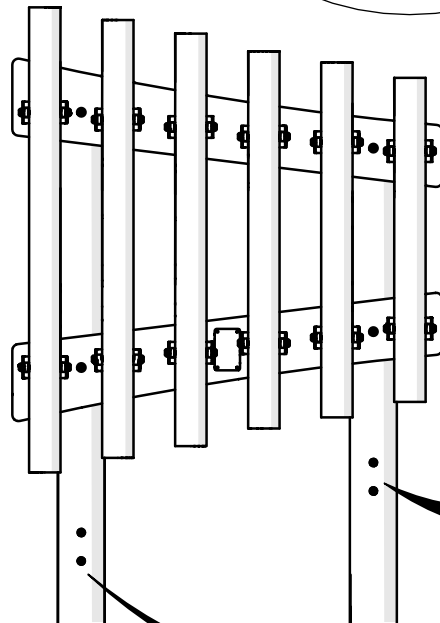


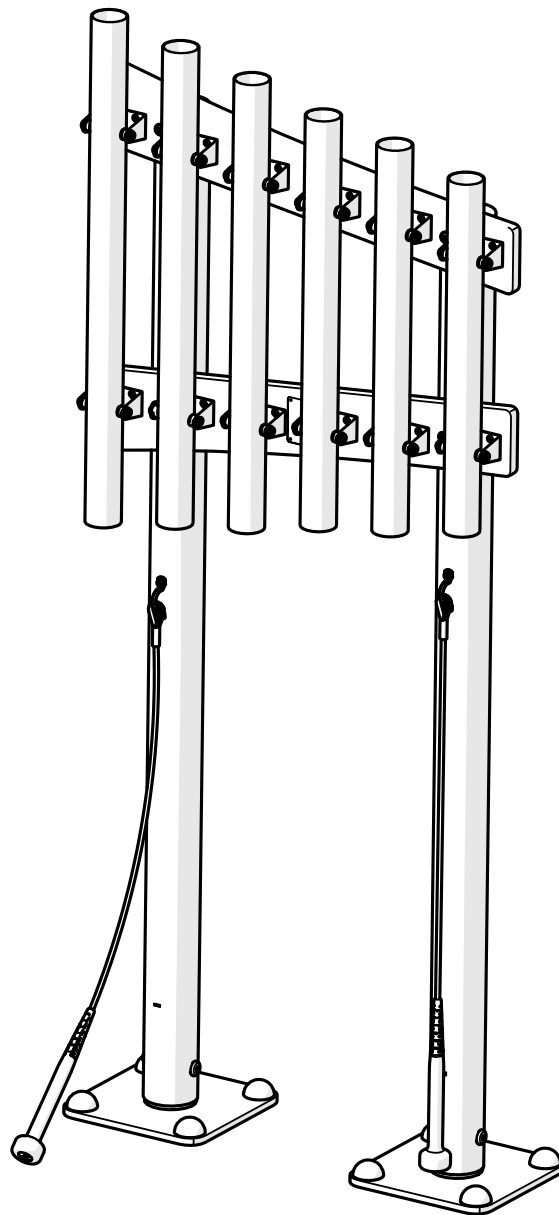
4.



TX30

4		x2
C		x2
D		x4





percussionplay.com



info@percussionplay.com



UK
[01730 235 180](tel:01730235180)

USA & CAN
[+1 \(866\) 882 9170](tel:+18668829170)

EUR & ROW
[+44 1730 235 180](tel:+441730235180)