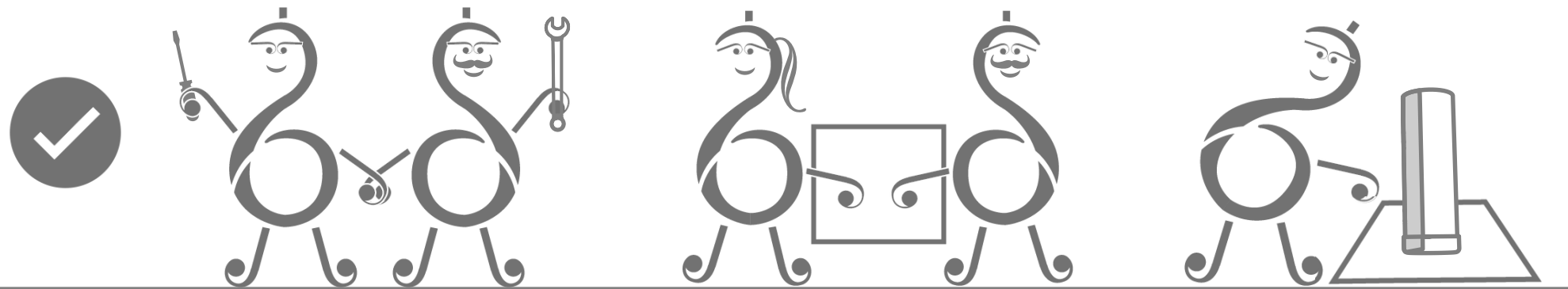
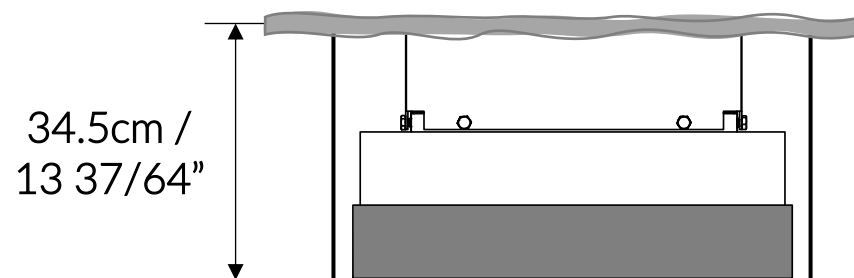
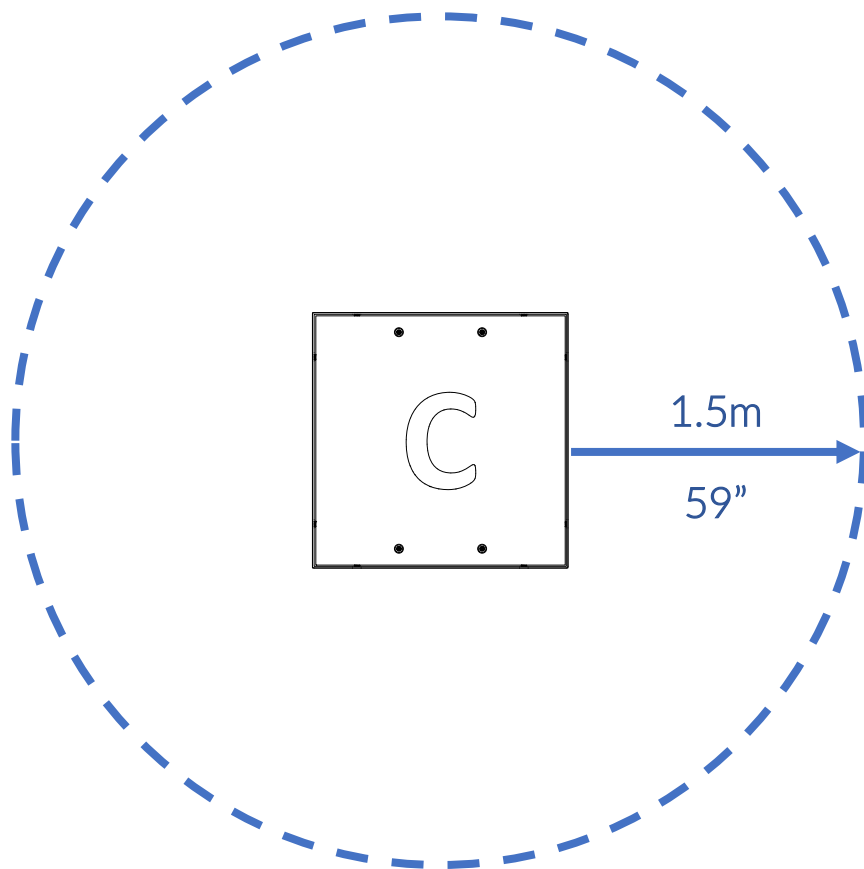


Part Reference	Description
PP-STEP-C-MA-GR	Stepping Stone (C-Major)
PP-STEP-F-MA-GR	Stepping Stone (F-Major)
PP-STEP-G-MA-GR	Stepping Stone (G-Major)
PP-STEP-D-MI-GR	Stepping Stone (D-Minor)
PP-STEP-E-MI-GR	Stepping Stone (E-Minor)
PP-STEP-A-MI-GR	Stepping Stone (A-Minor)

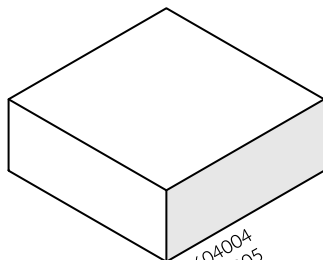






Check Risk Assessment

### Packages



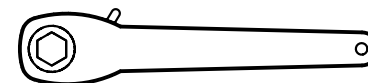
x1

604004  
604005  
604006  
604007  
604008  
604009

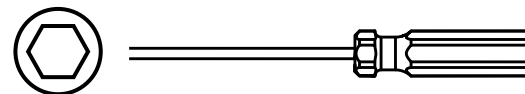
		L	W	H	Weight	Net
x1	604004	51cm / 20"	51cm / 20"	20cm / 8"	28kg / 62lbs	
	604005					
	604006					
	604007					
	604008					
	604009					

### Tools required (not supplied)

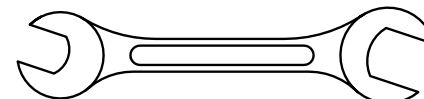
¼" Bit Driver Ratchet



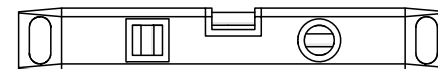
½" Socket spanner / screwdriver adapter



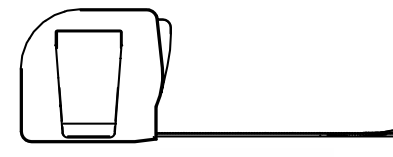
11/16" / 17mm Spanner

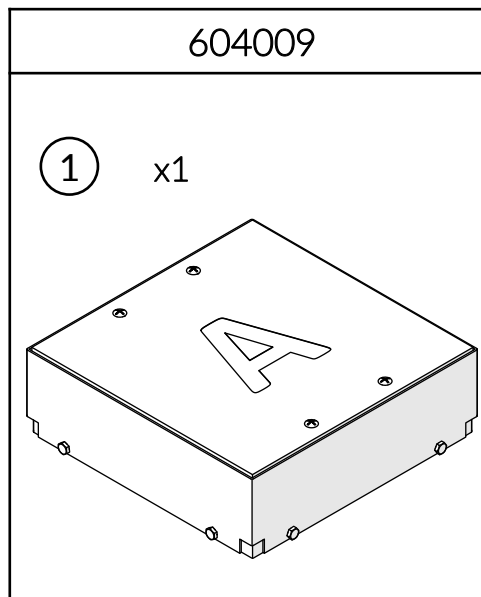
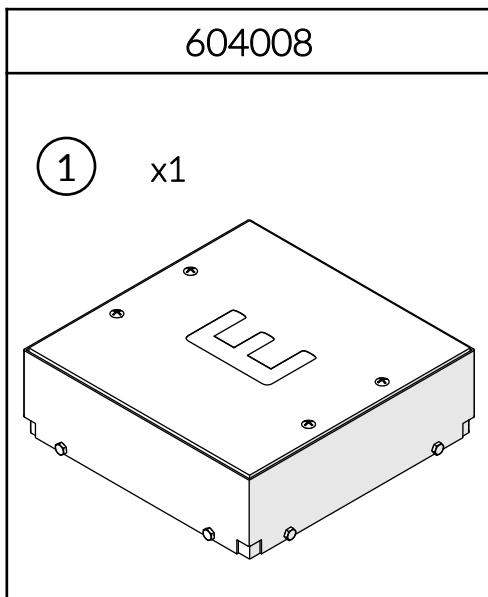
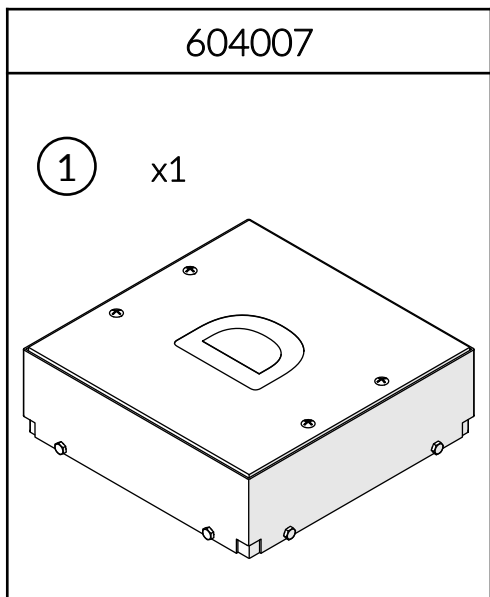
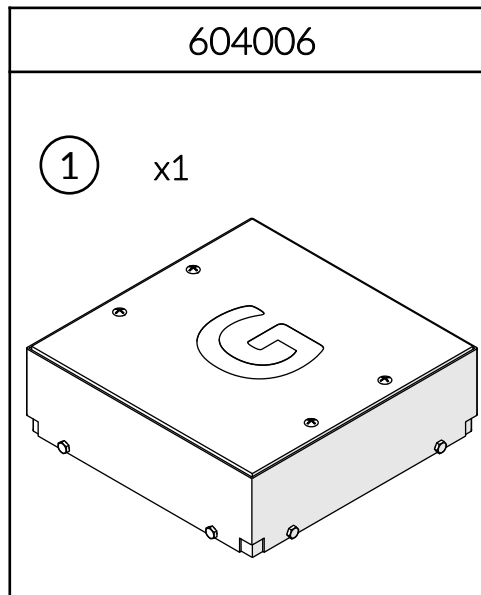
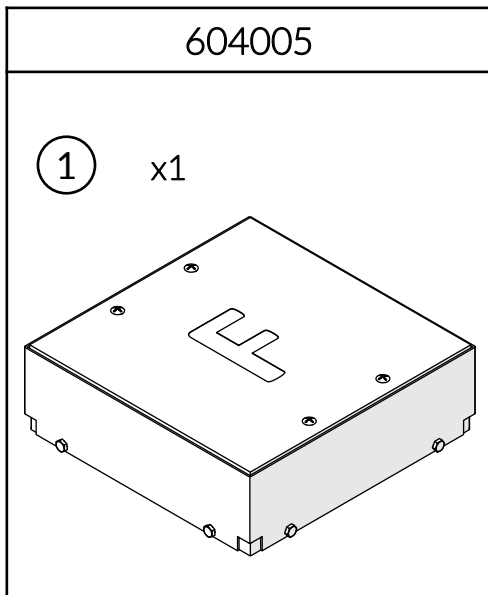
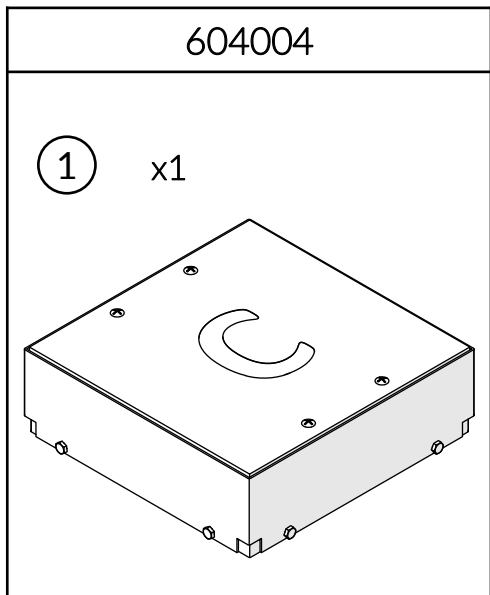


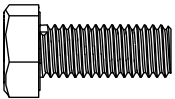
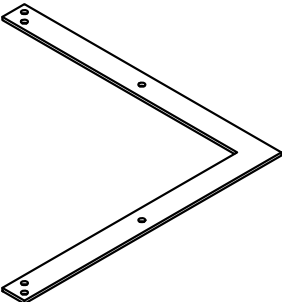
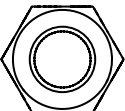

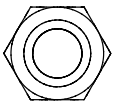
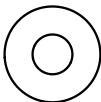
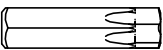
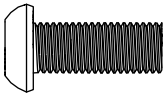
Spirit level



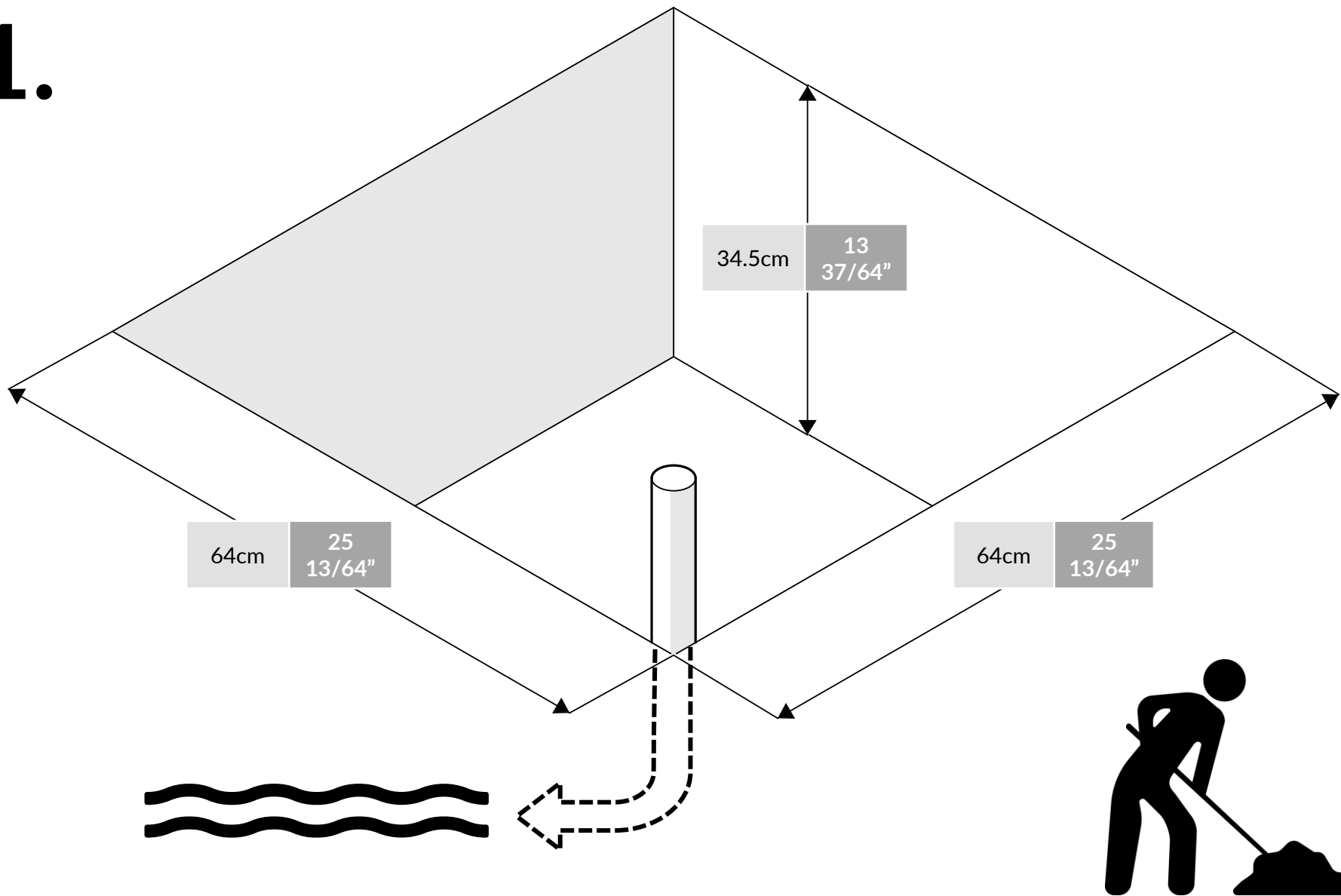
Tape Measure





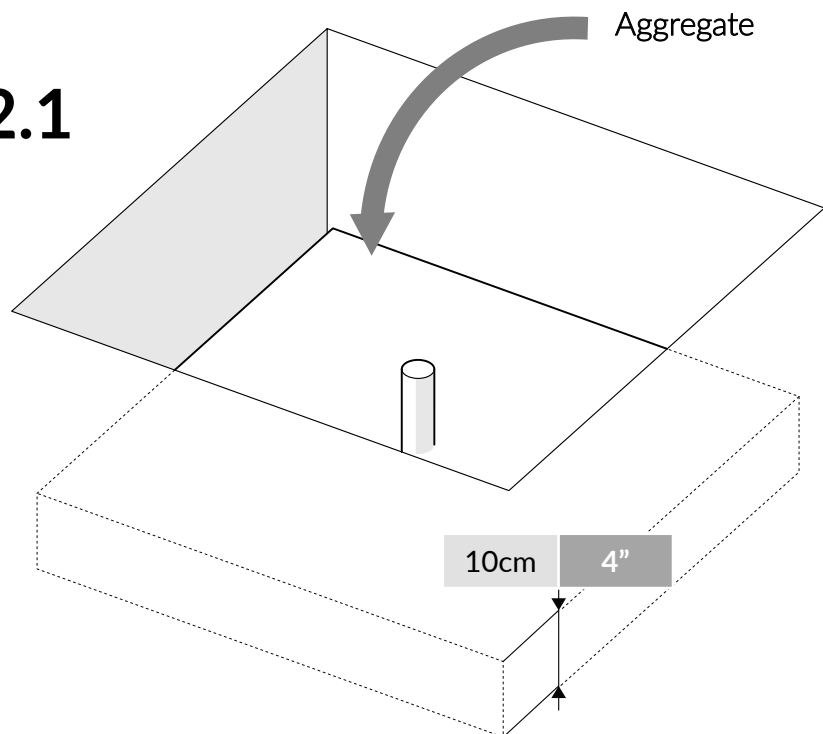
<p>(A) x4 502851</p> 	<p>(2) x2 603541</p> 
<p>(B) x8 501577</p> 	
<p>(C) x4 504034</p> 	
<p>(D) x4 500676</p> 	<p>(E) x4 500673</p> 
<p>TX40 x1 500474</p> 	<p>(F) x4 505618</p> 

1.

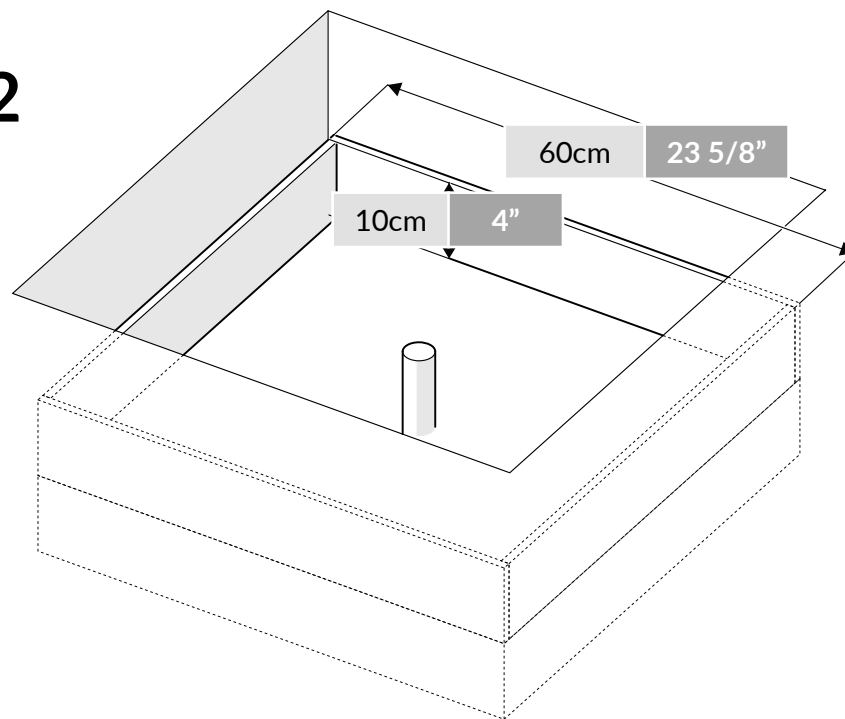


# 2.

## 2.1



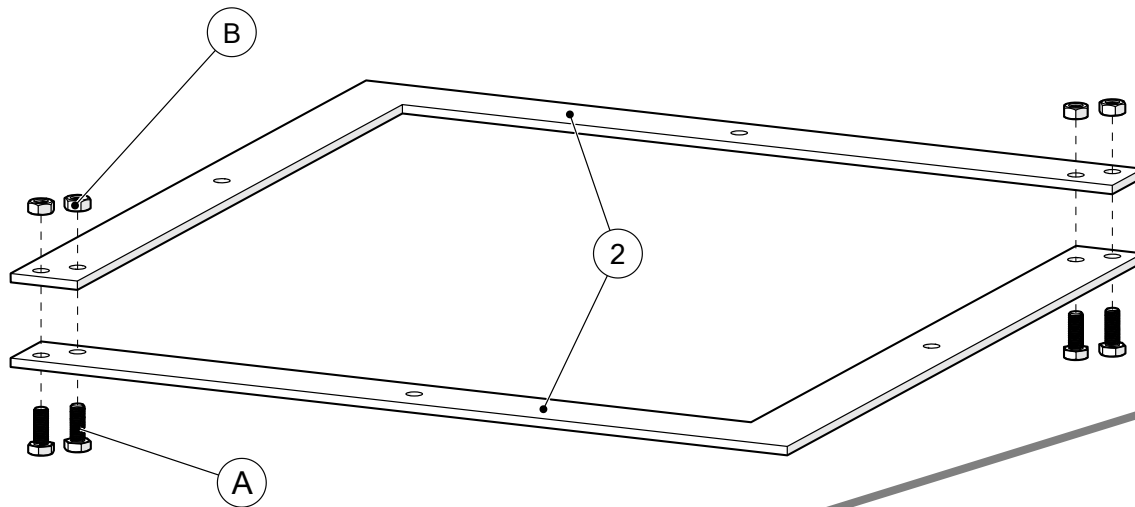
## 2.2



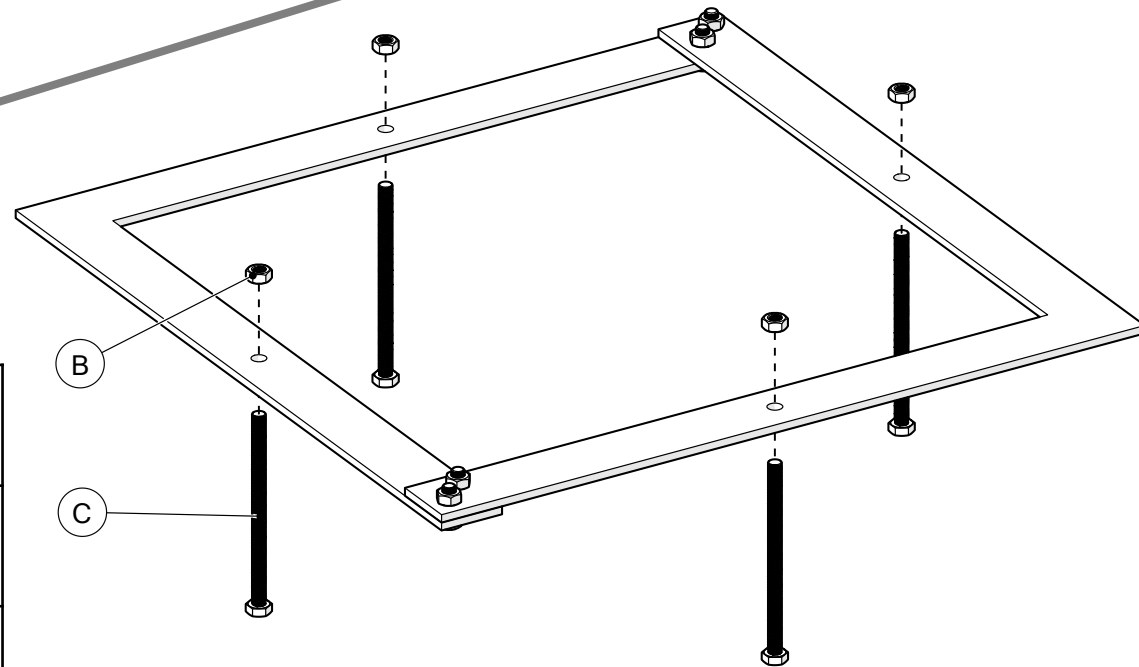


# 3.

## 3.1

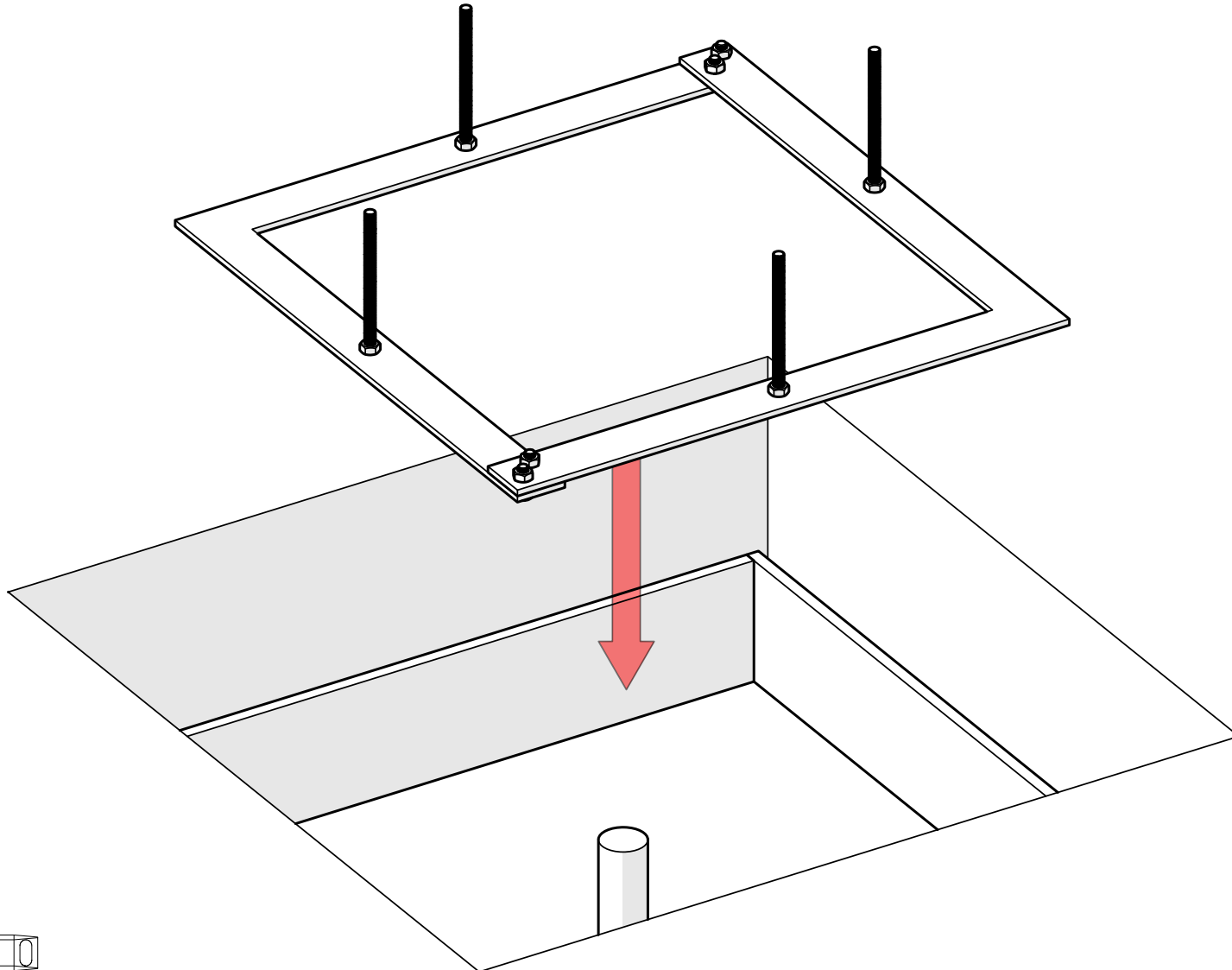


## 3.2

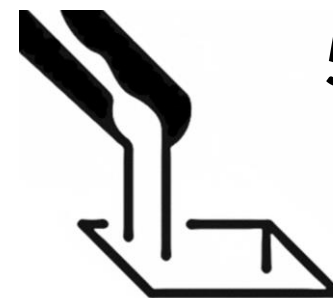
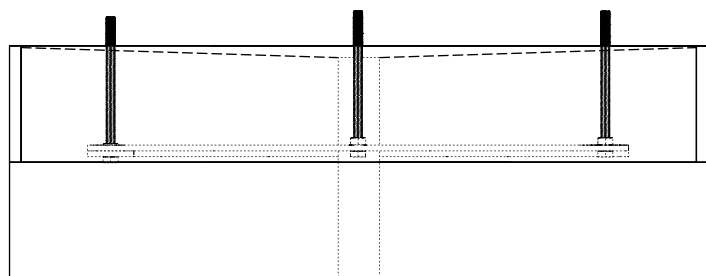
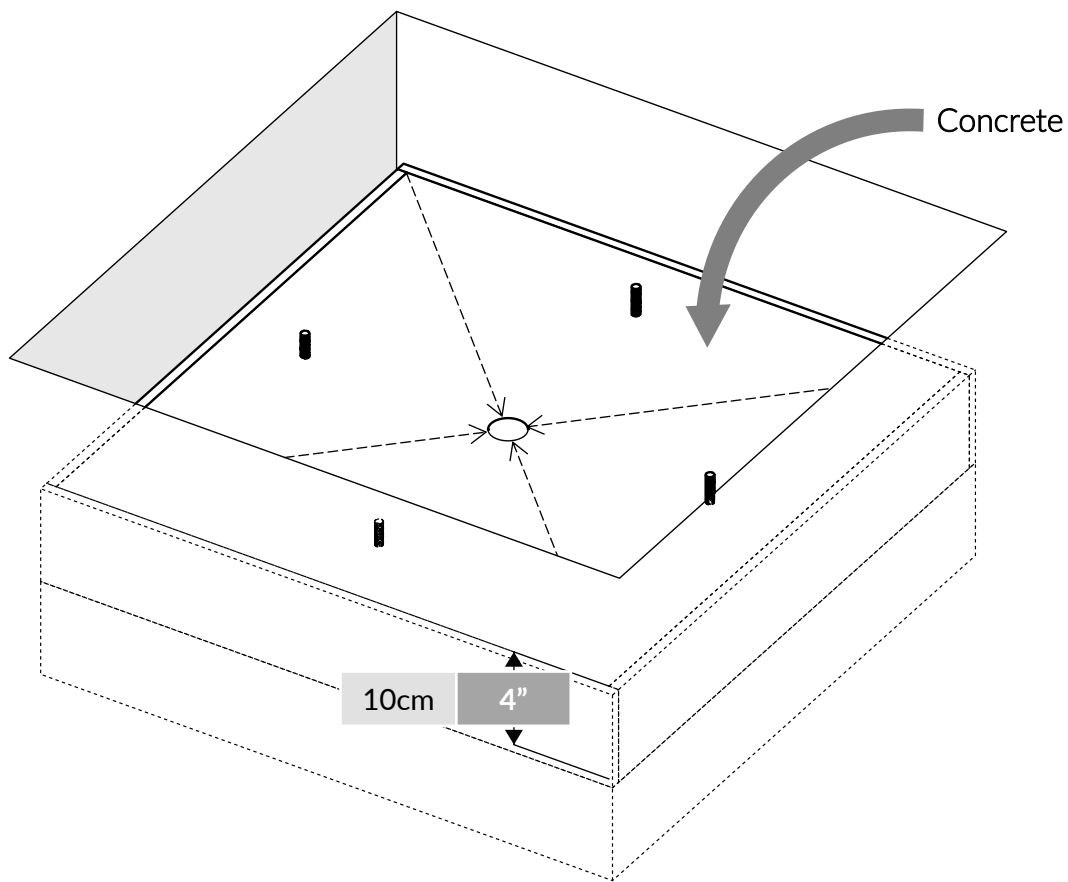


A		x4
B		x8
C		x4

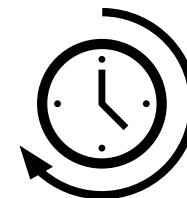
4.



5.

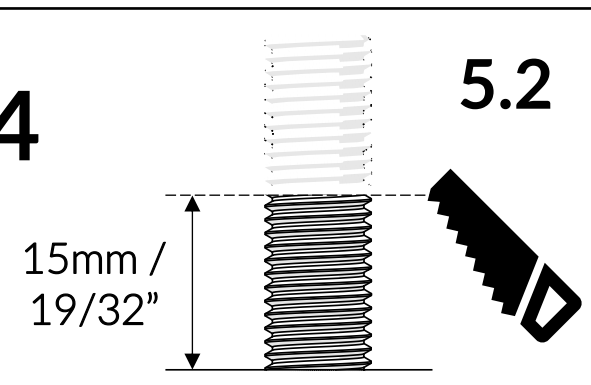


5.1



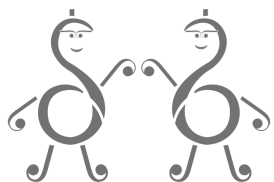
24 - 72h

x4

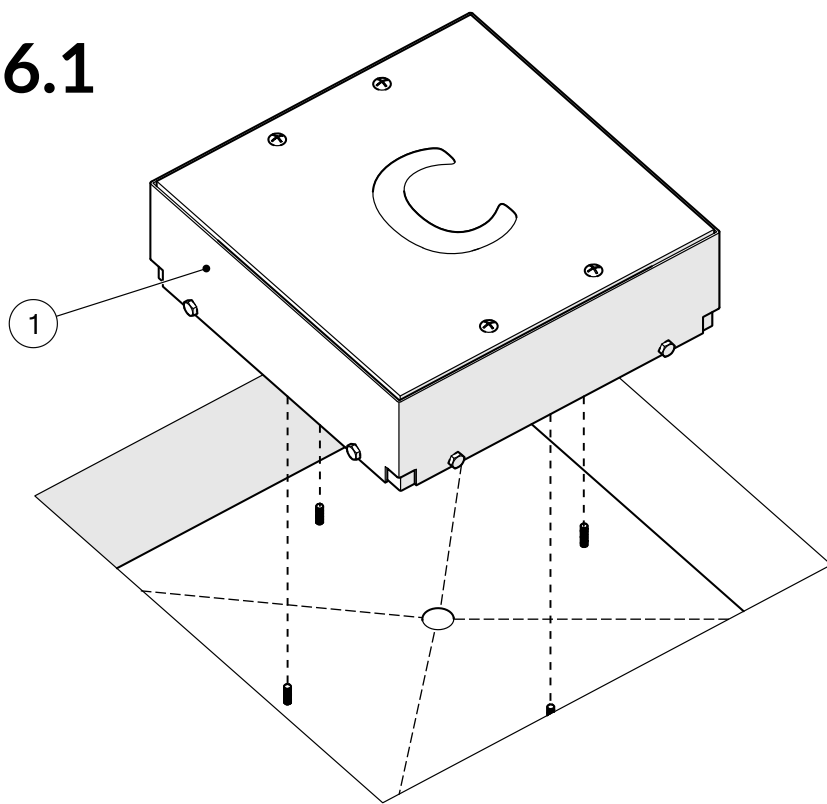


5.2

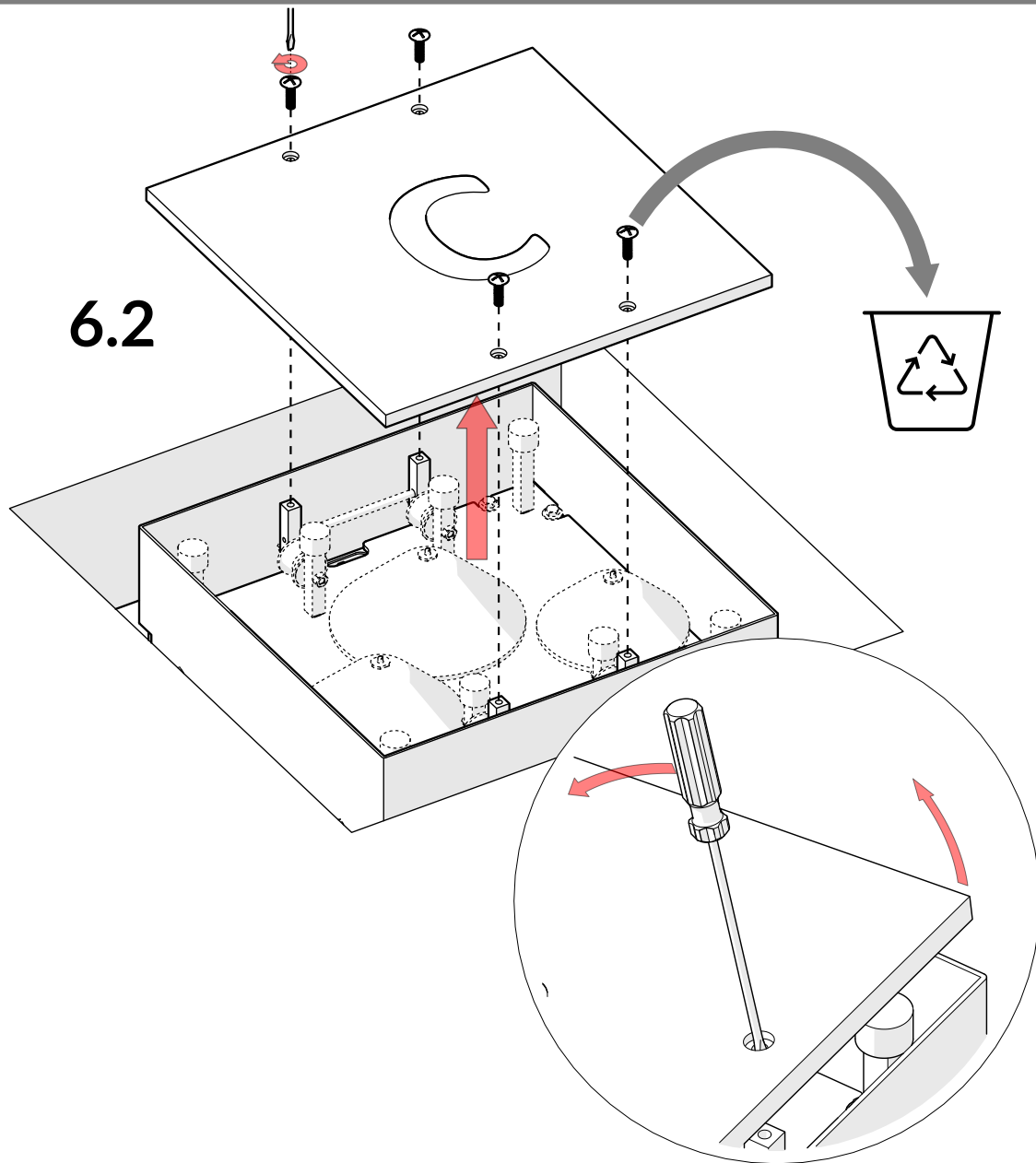
# 6.



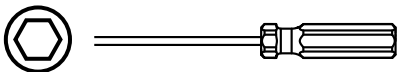
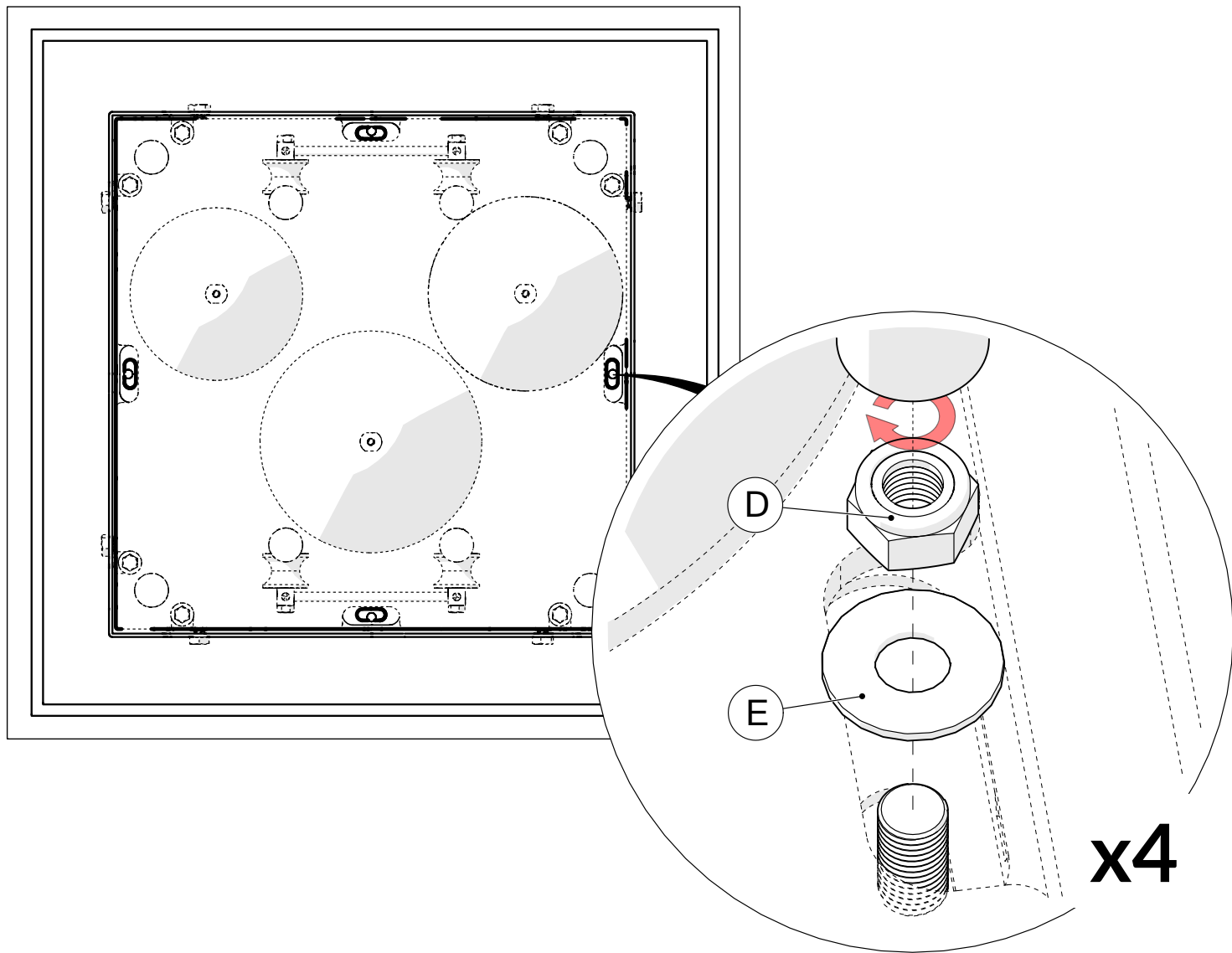
## 6.1

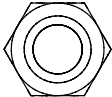
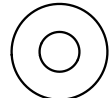


## 6.2



7.

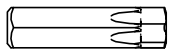
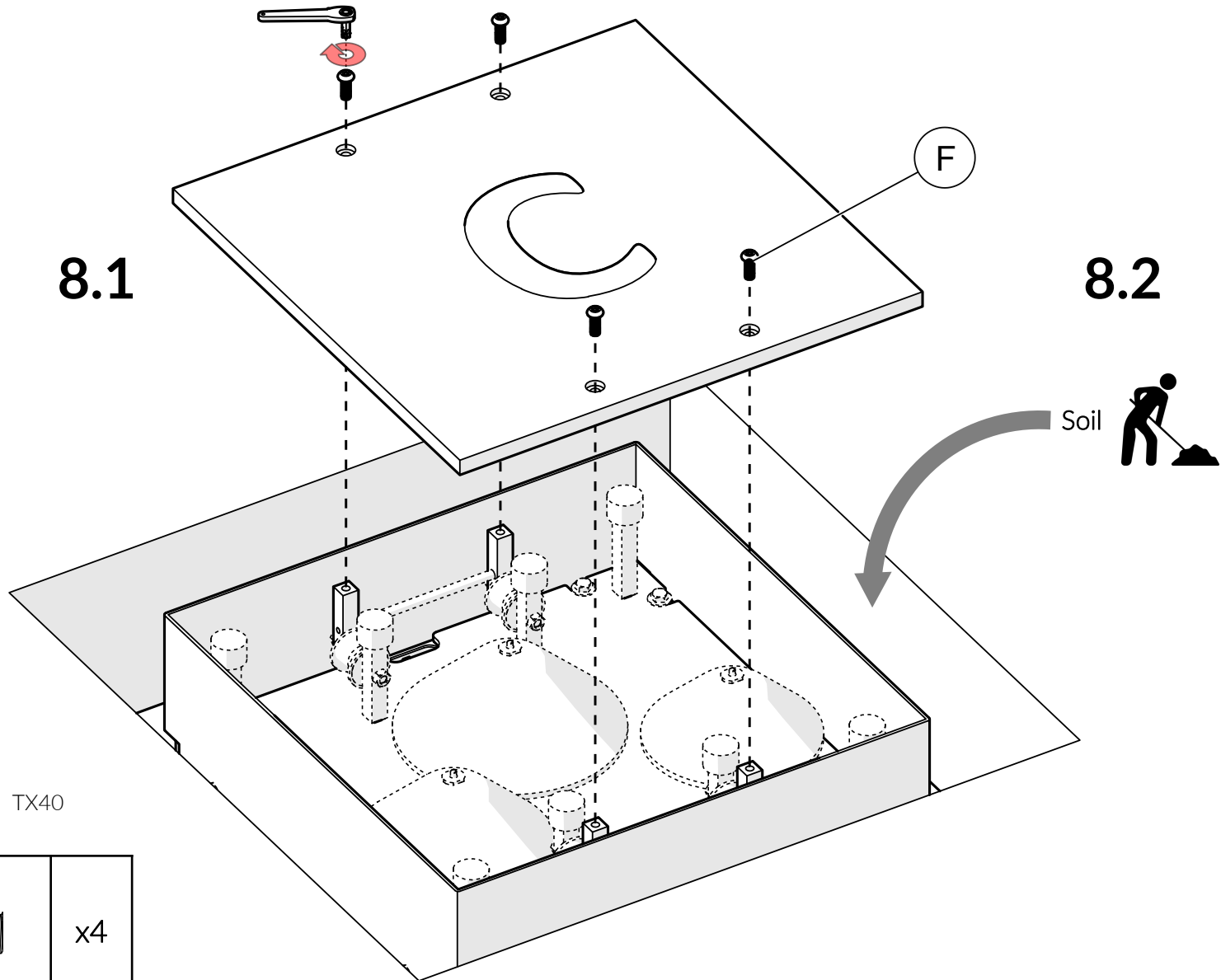


D		x4
E		x4

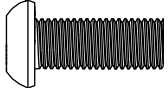
# 8.

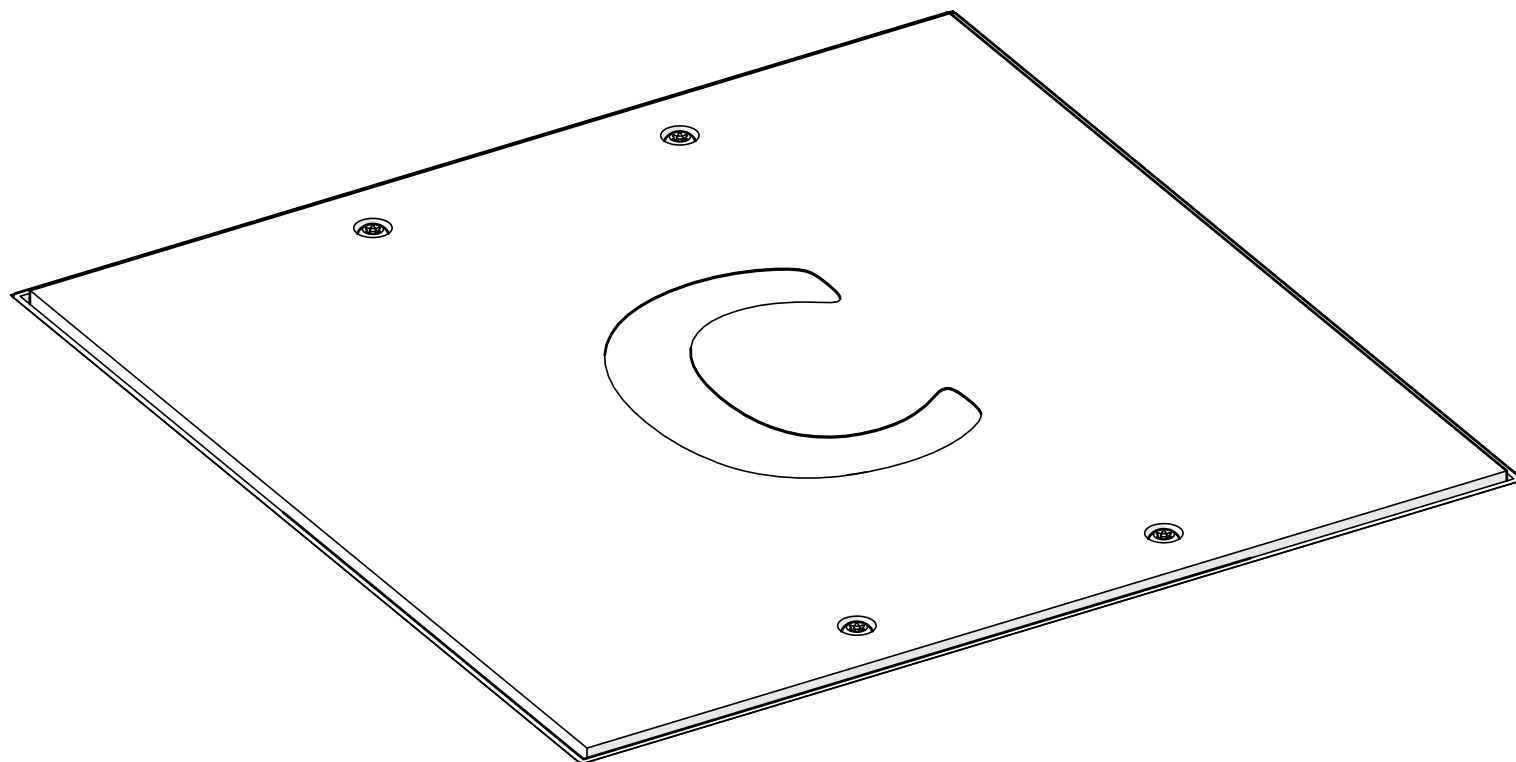
8.1

8.2



TX40

F		x4
---	---	----



[percussionplay.com](http://percussionplay.com)



[info@percussionplay.com](mailto:info@percussionplay.com)



UK  
[01730 235 180](tel:01730235180)

USA & CAN  
[+1 \(866\) 882 9170](tel:+18668829170)

EUR & ROW  
[+44 1730 235 180](tel:+441730235180)