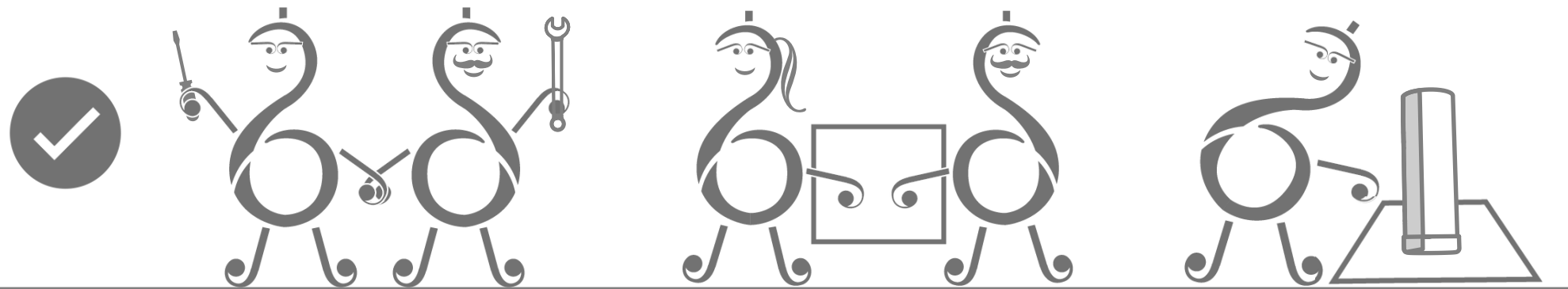
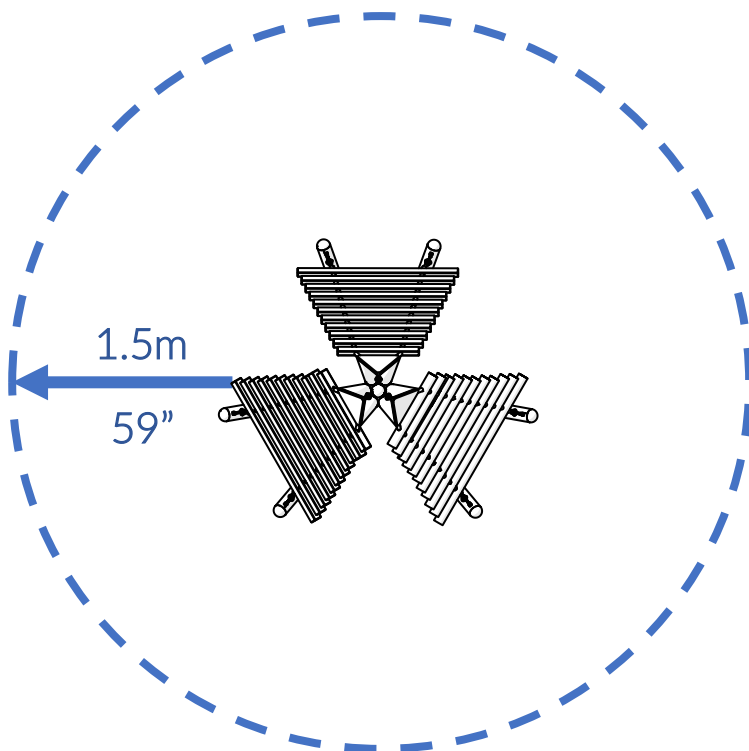


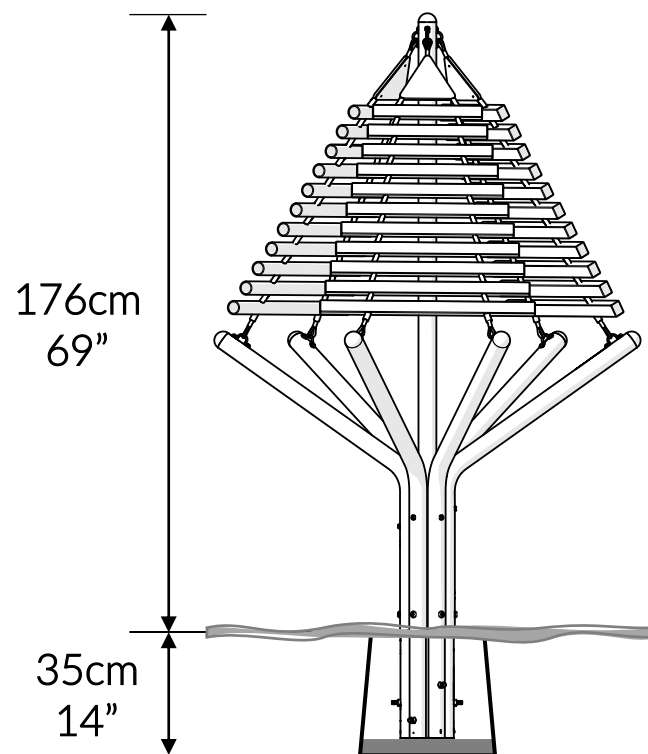
| Part Reference | Description |
|----------------|--------------------|
| PP-TUTT-GR | Tutti (Ground Fix) |



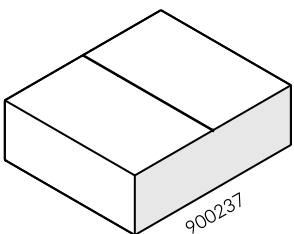




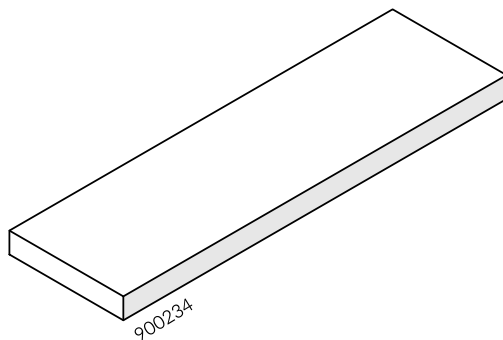
Check Risk Assessment



Packages



x1

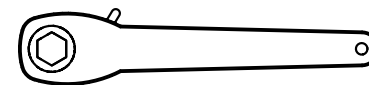


x1

| | | L | W | H | Weight | Net |
|----|--------|-------------|--------------|------------|--------------|-----|
| x1 | 900237 | 84cm / 33" | 70cm / 27.5" | 28cm / 11" | 30kg / 66lbs | |
| x1 | 900234 | 185cm / 73" | 55cm / 21.5" | 10cm / 4" | 30kg / 66lbs | |

Tools required (not supplied)

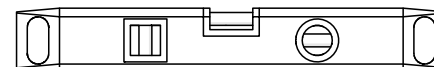
¼" Bit Driver Ratchet



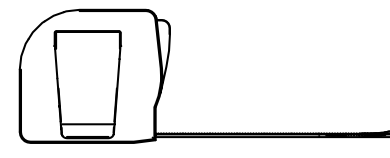
11/16" / 17mm Spanner



Spirit level



Tape Measure

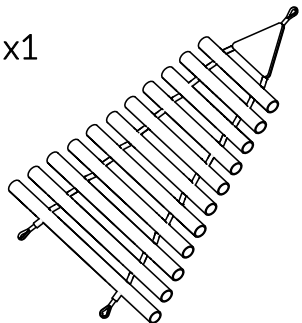


Not to scale

900237

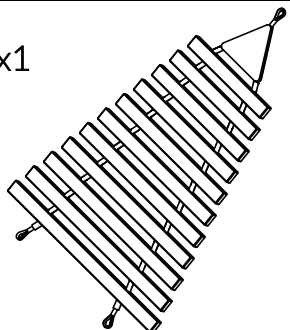
①

x1



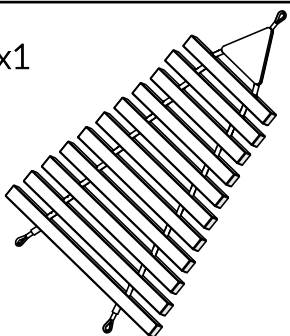
②

x1



③

x1

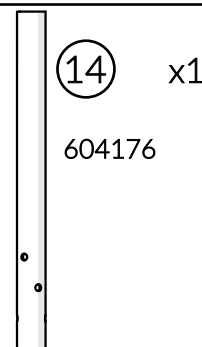
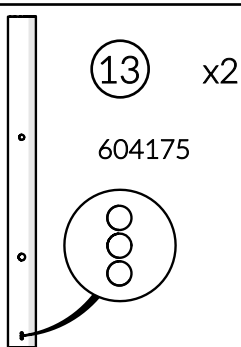
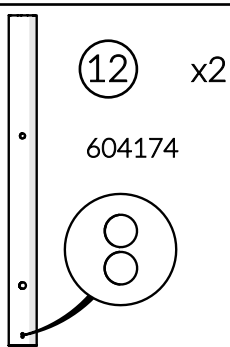
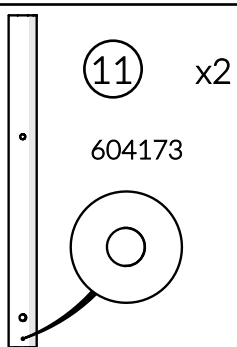
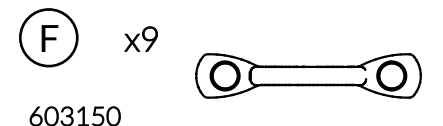
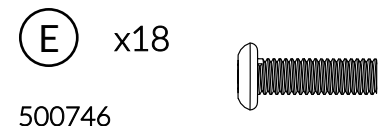
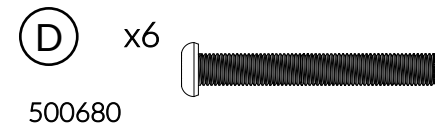
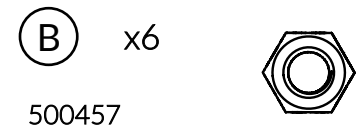
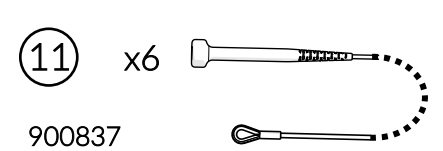
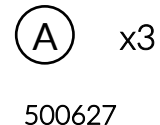
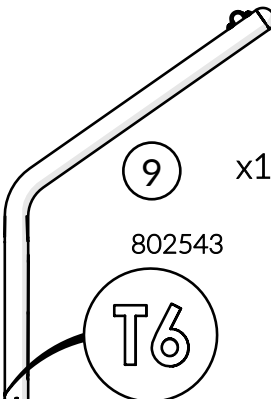
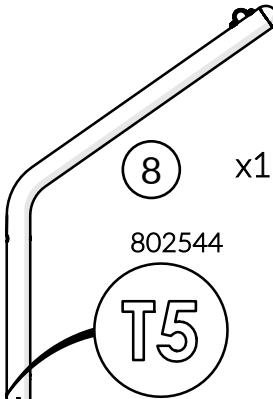
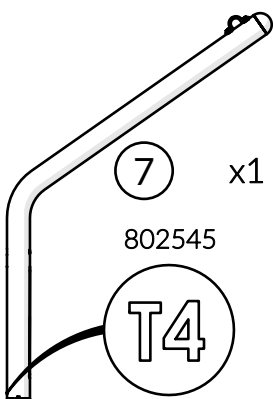
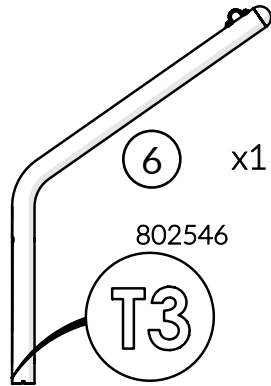
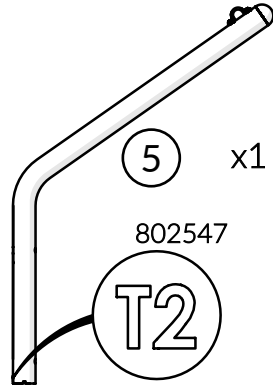
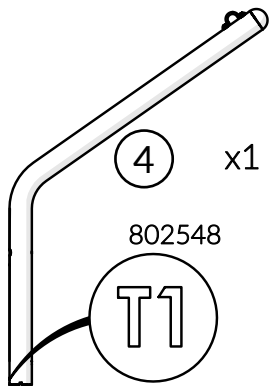


TX30 x1

500473

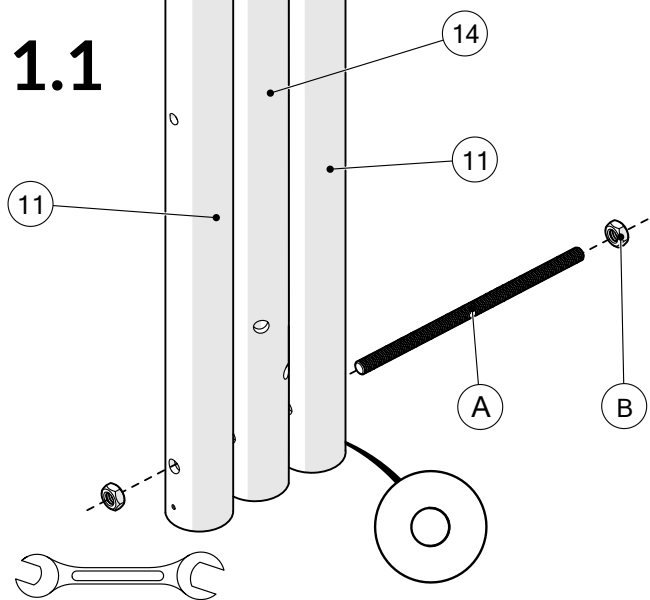
900234

Not to scale

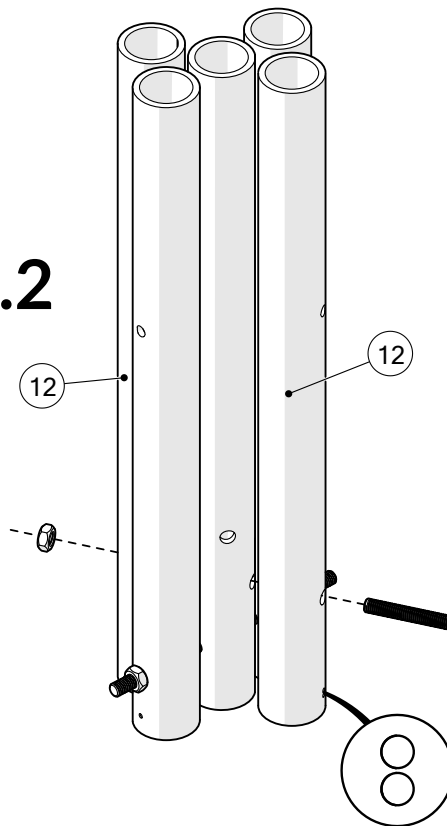


1.

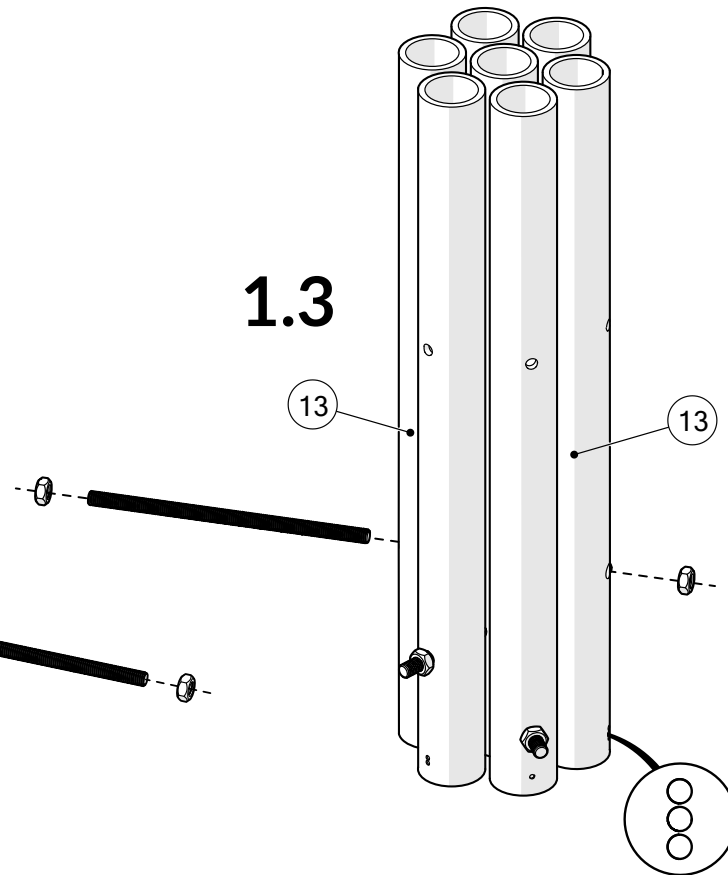
1.1





1.2

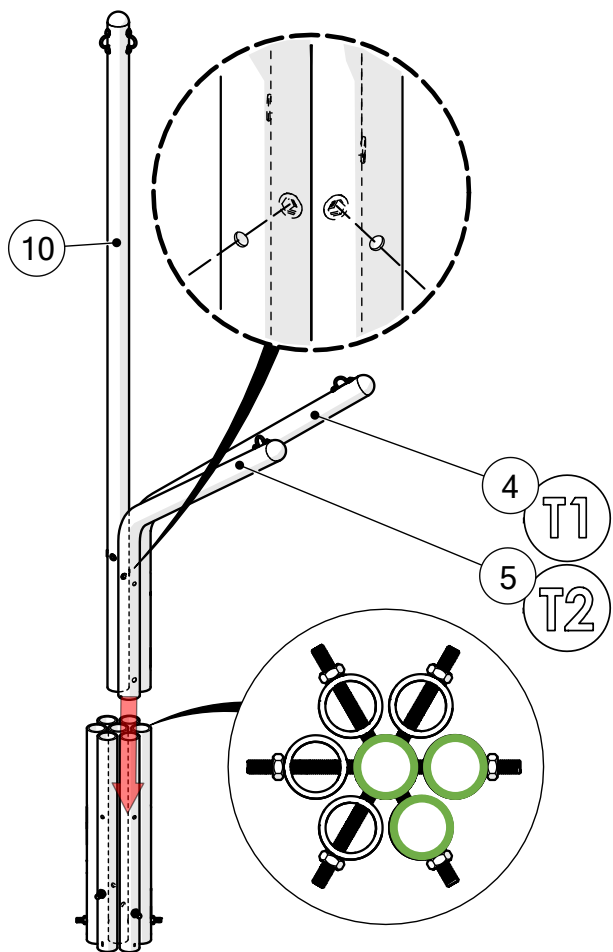


1.3

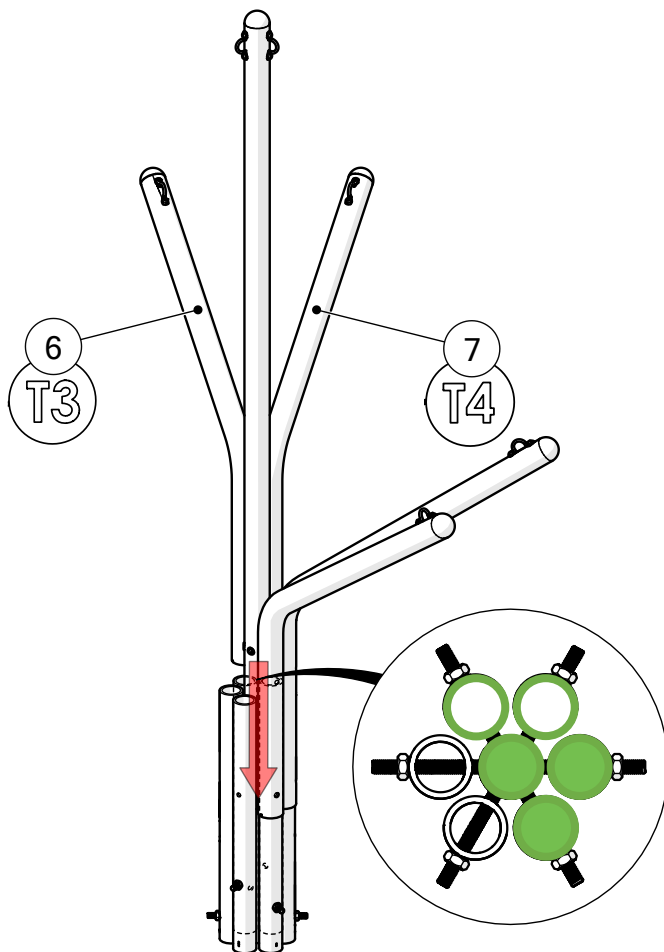


| | | |
|---|---|----|
| A |  | x3 |
| B |  | x6 |

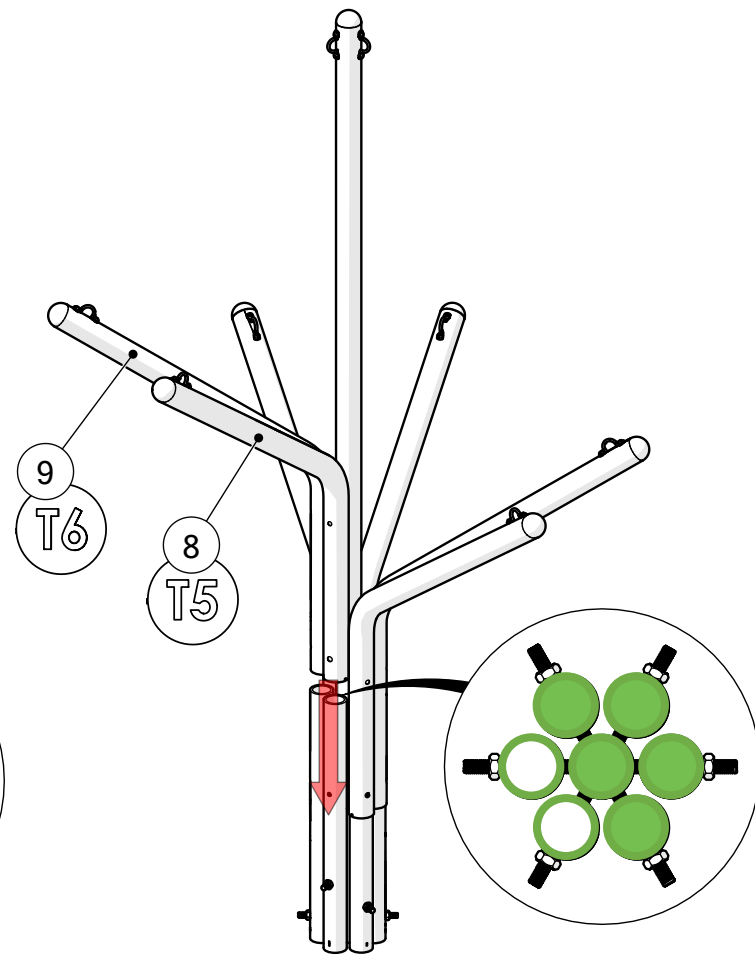
2. 2.1



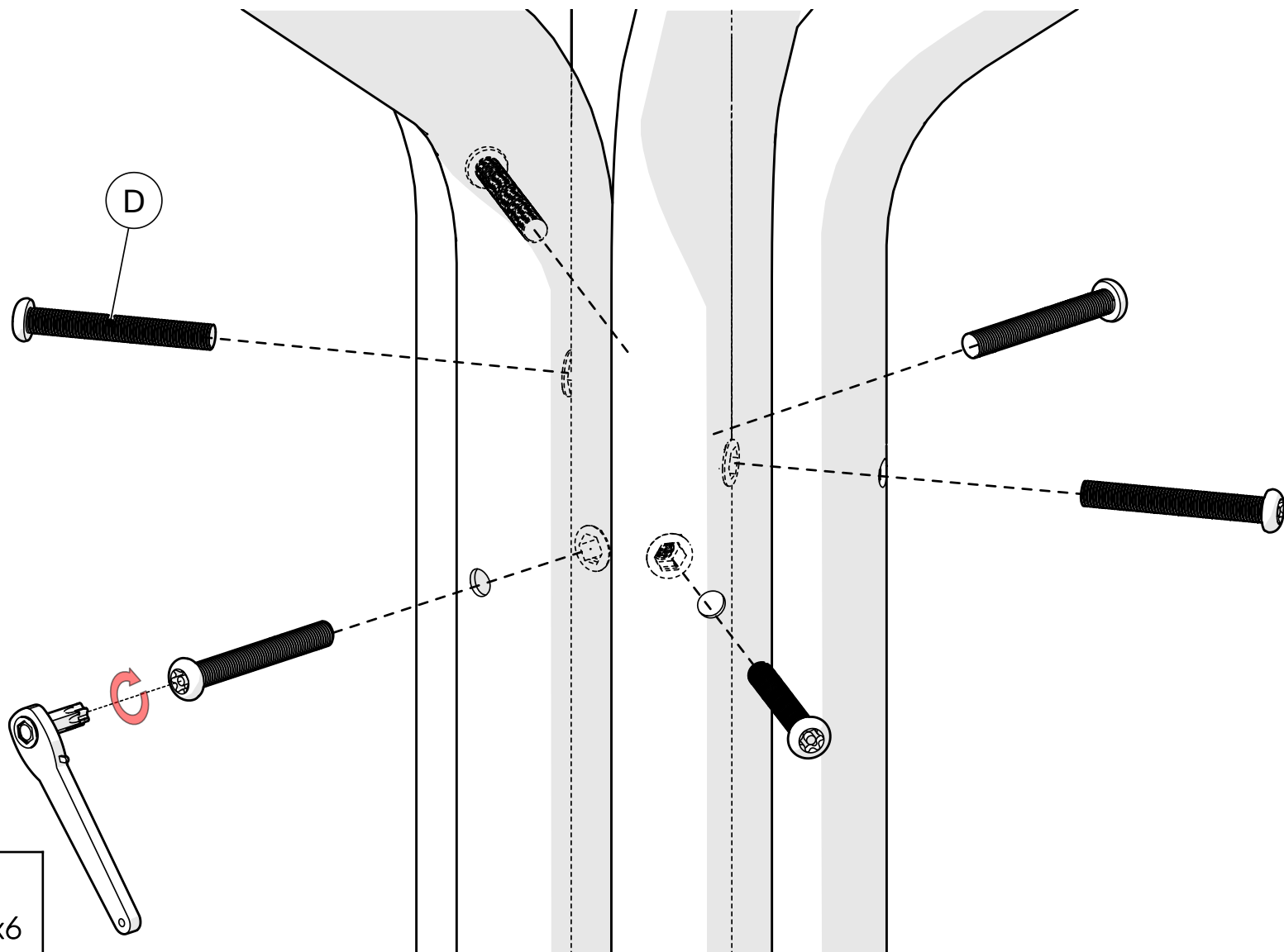
2.2




2.3



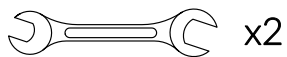
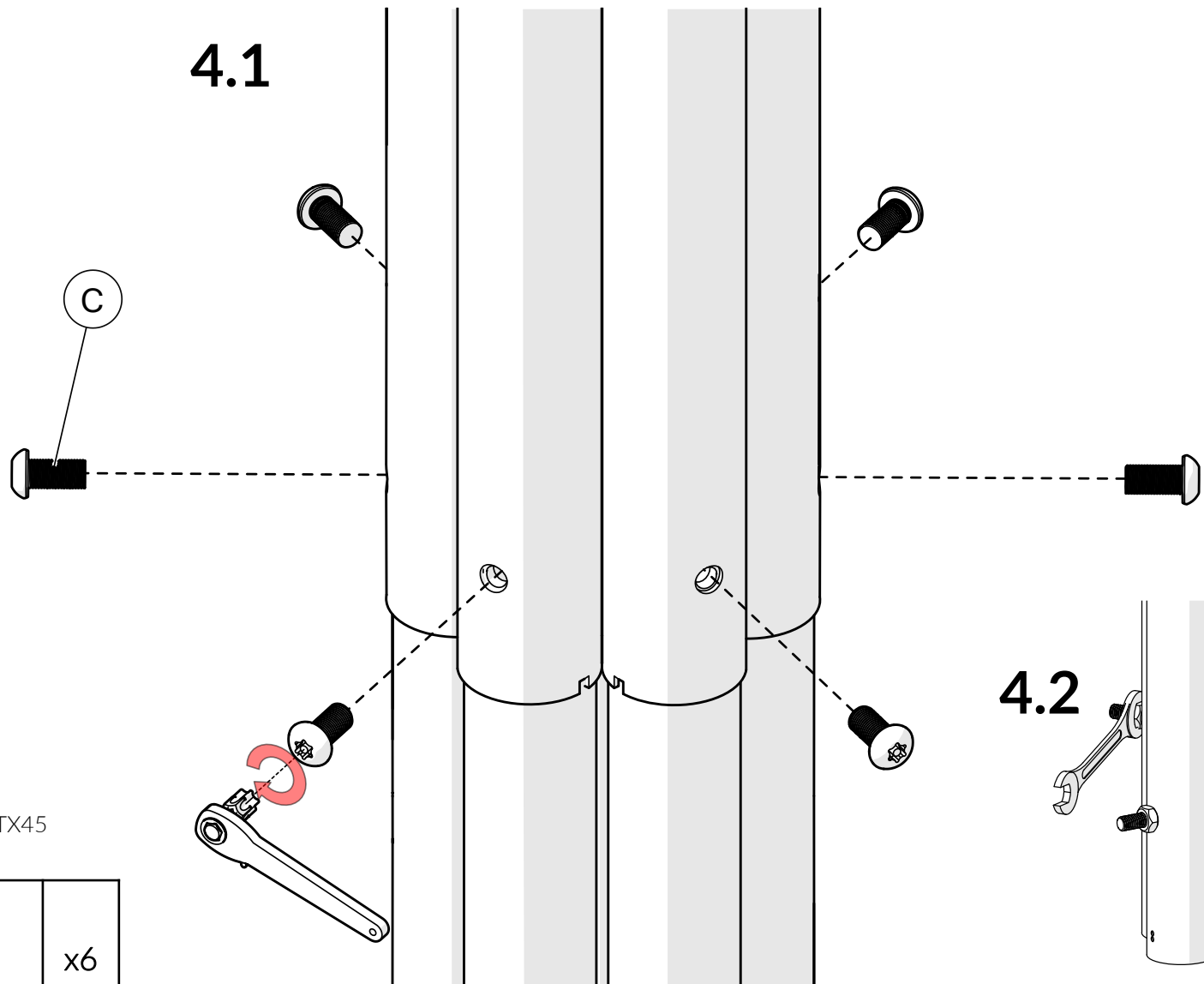
3.

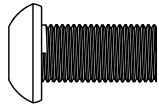


| | | |
|---|---|----|
| D |  | x6 |
|---|---|----|

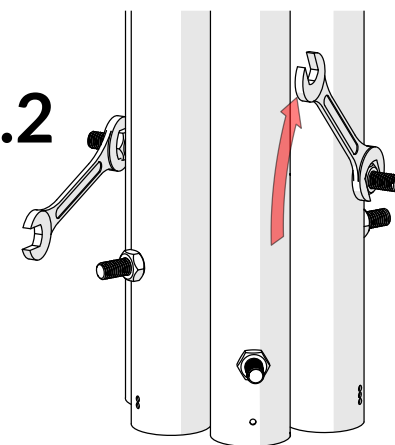
4.

4.1



| | | |
|---|---|----|
| C |  | x6 |
|---|---|----|

4.2

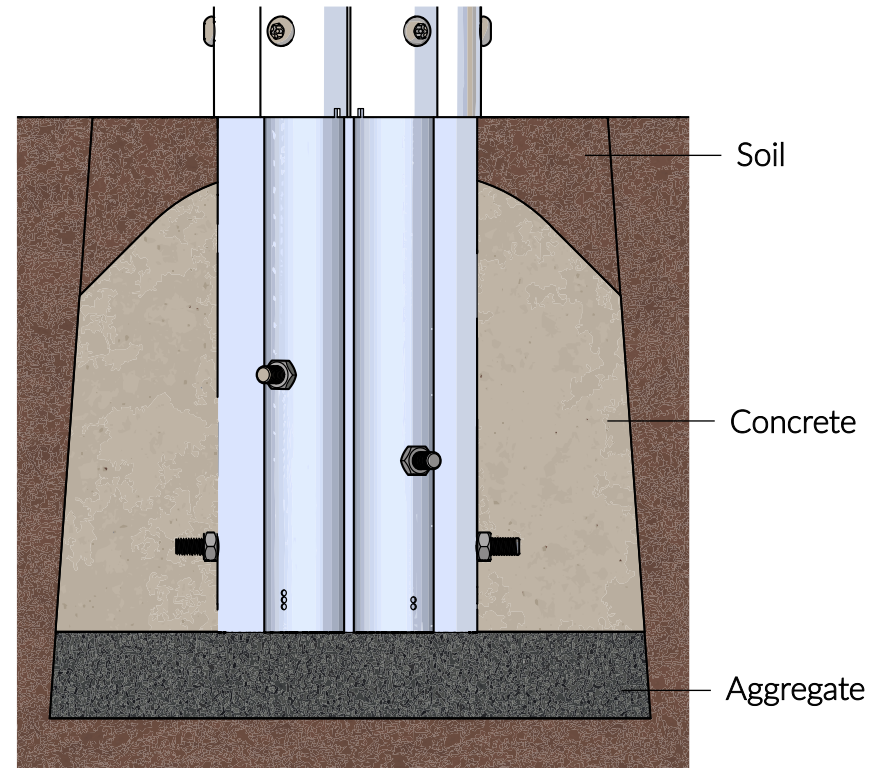
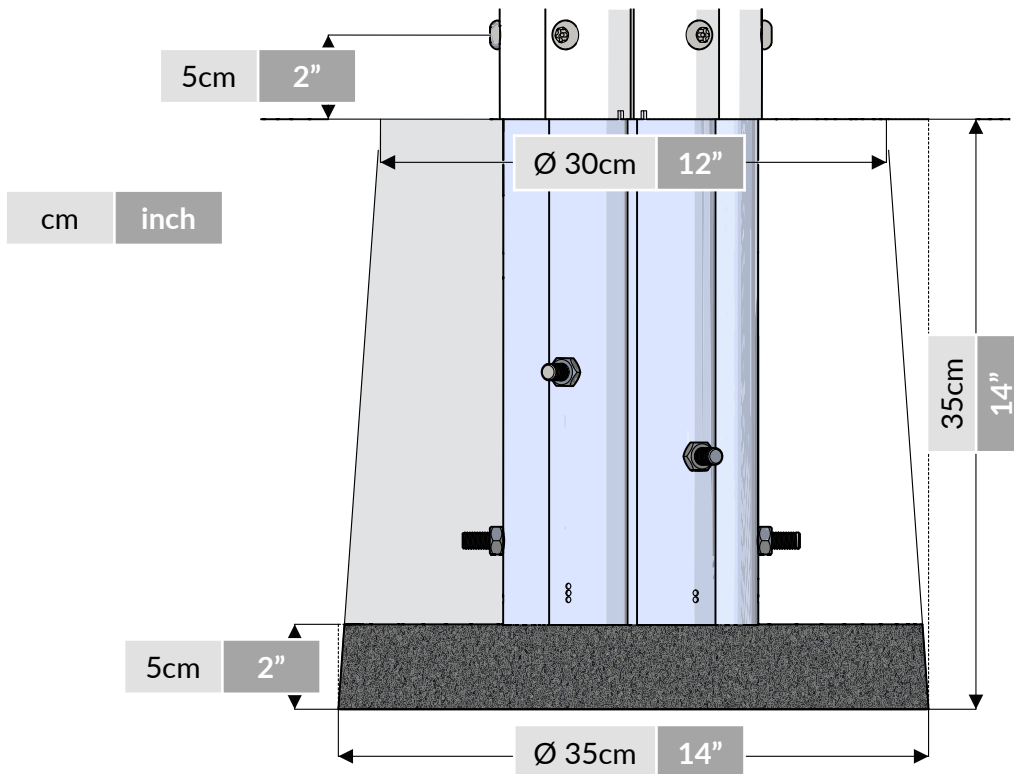
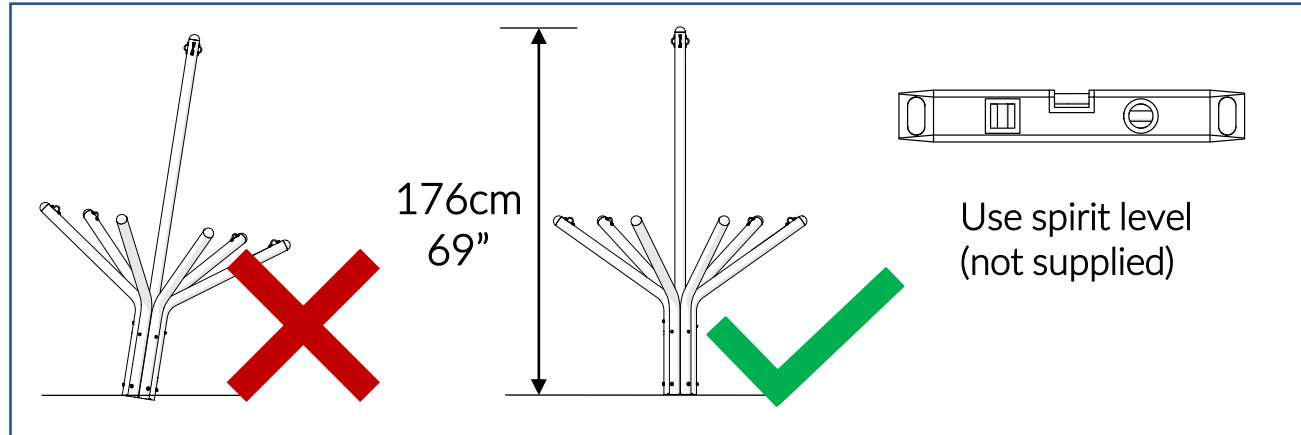


5.

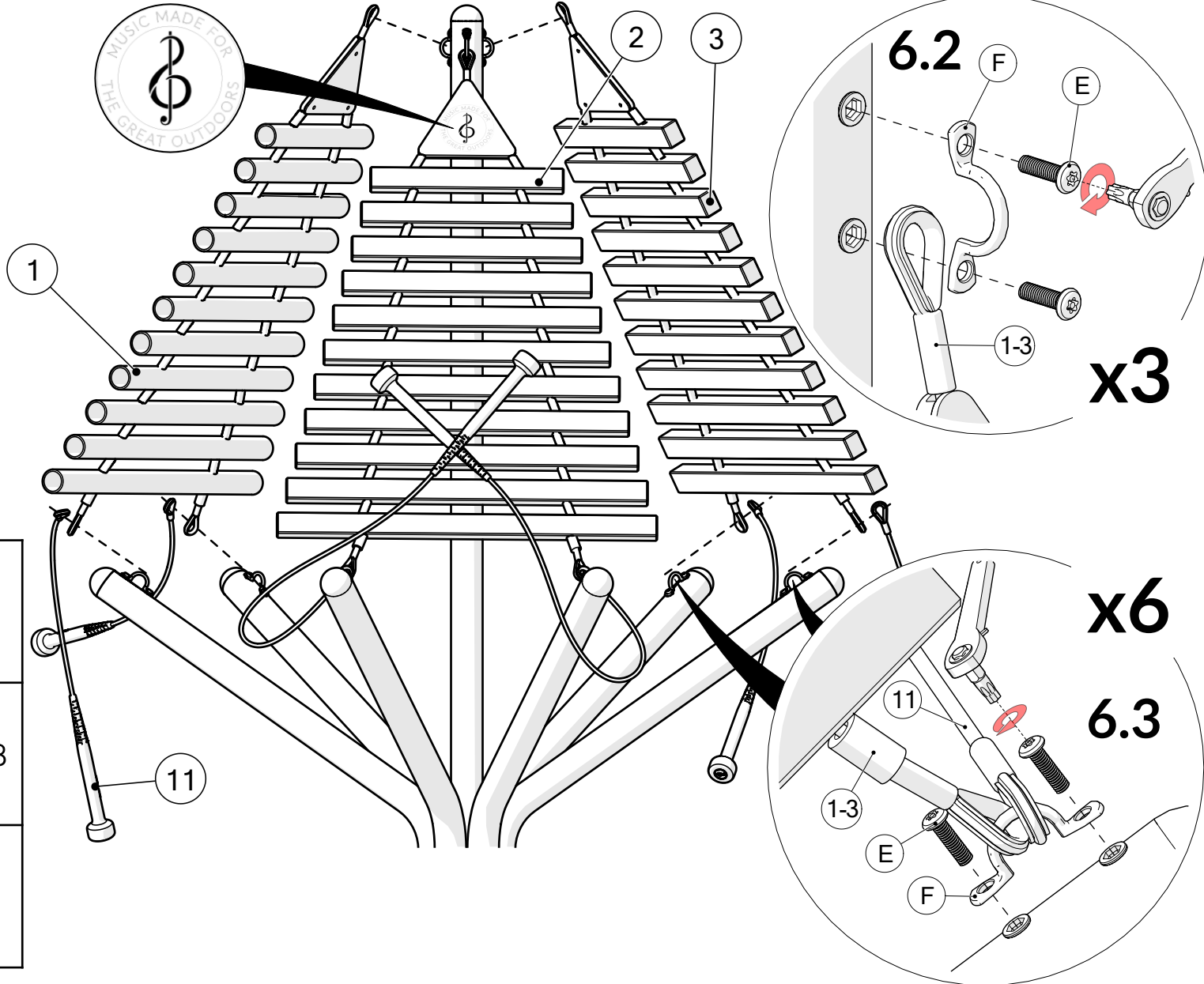
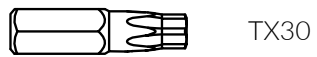
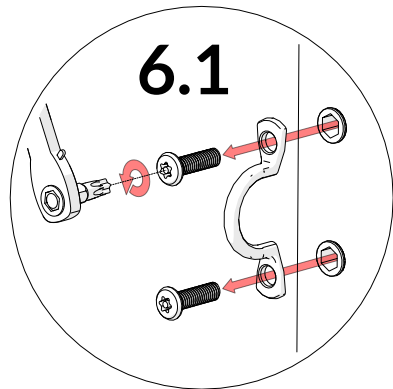


Foundations should not present a hazard

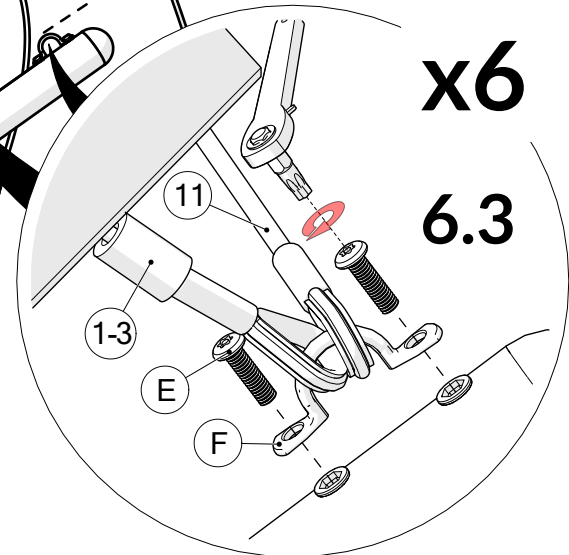
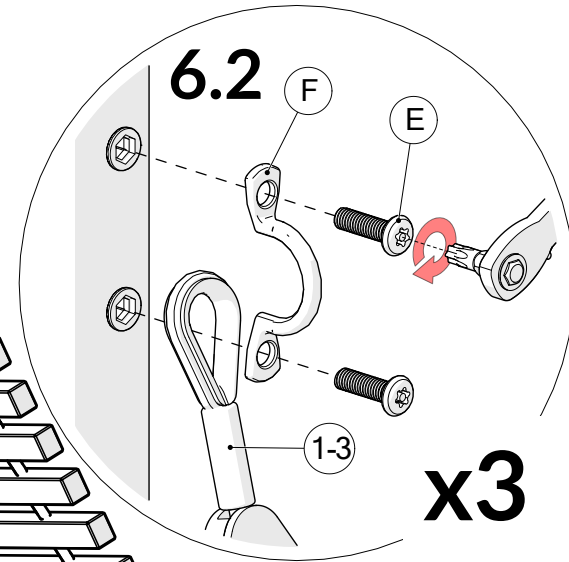
Refer to your local Health & Safety standards

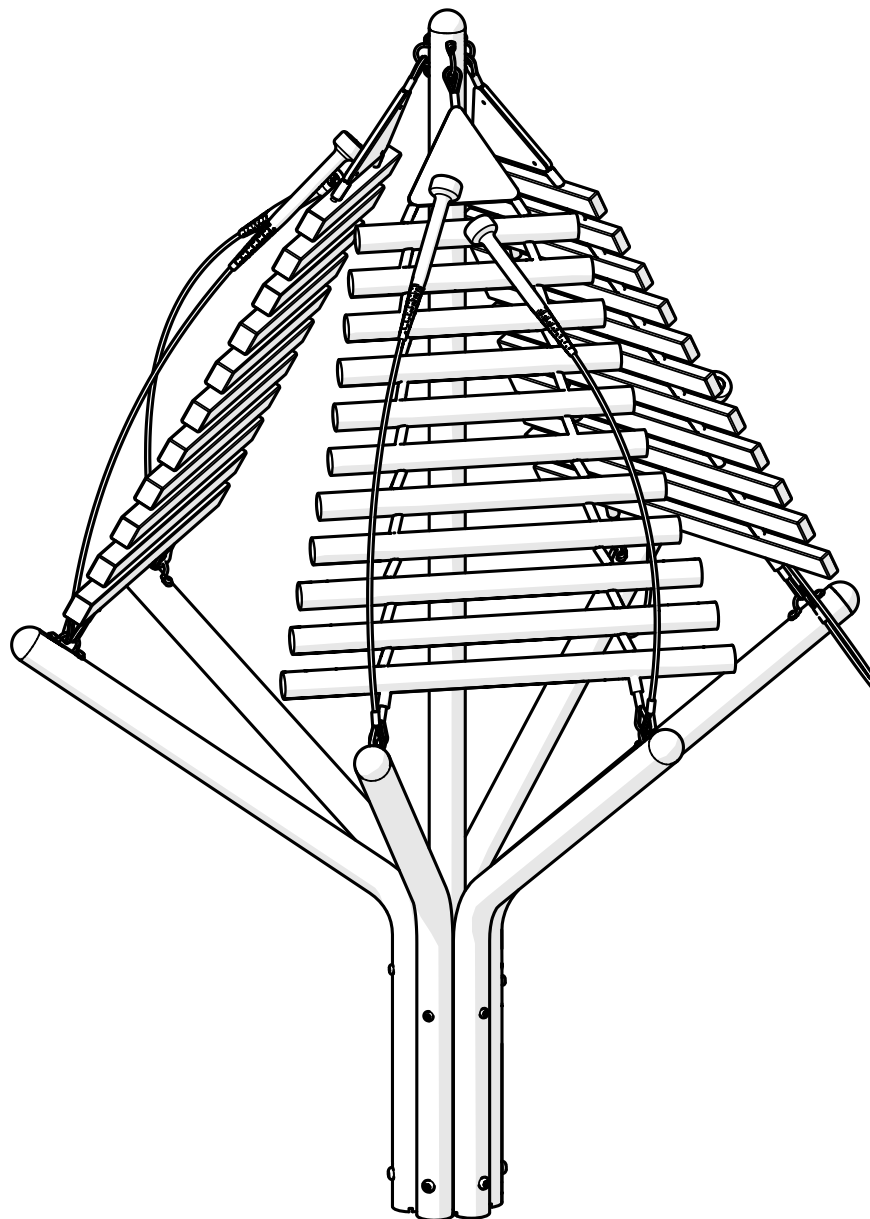


6.



| | | |
|----|--|-----|
| 11 | | x6 |
| E | | x18 |
| F | | x9 |





percussionplay.com



info@percussionplay.com



UK
[01730 235 180](tel:01730235180)

USA & CAN
[+1 \(866\) 882 9170](tel:+18668829170)

EUR & ROW
[+44 1730 235 180](tel:+441730235180)