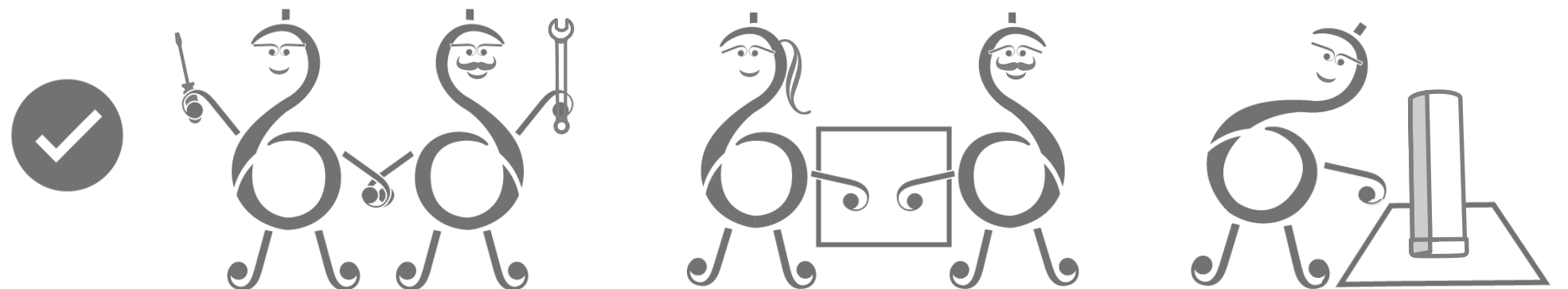
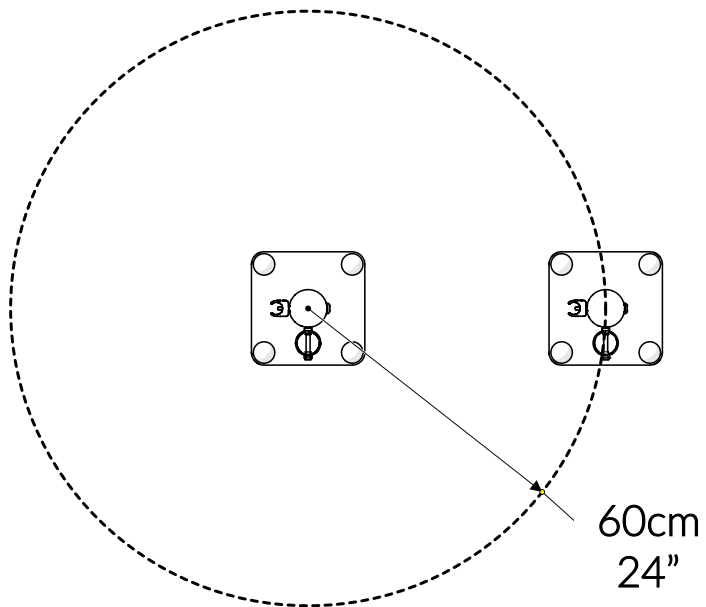
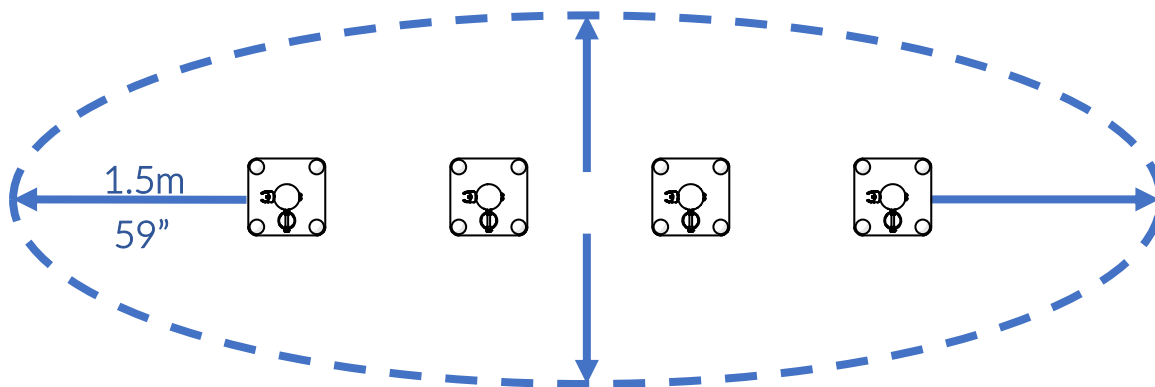


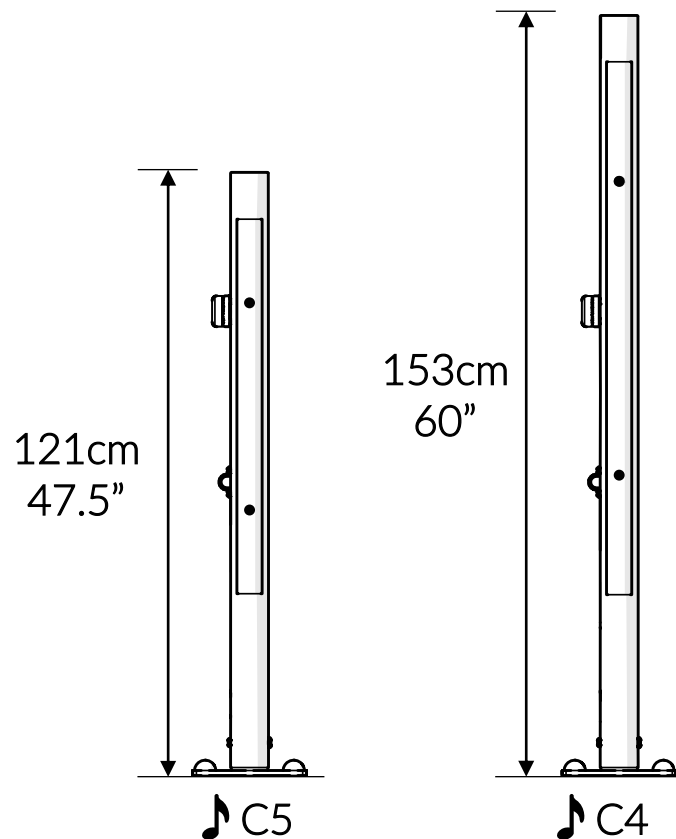
Part Reference	Description
PP-CALY-S4-QT-SU	Calypso Chimes Quartet (Set 4) (Surface Fix)



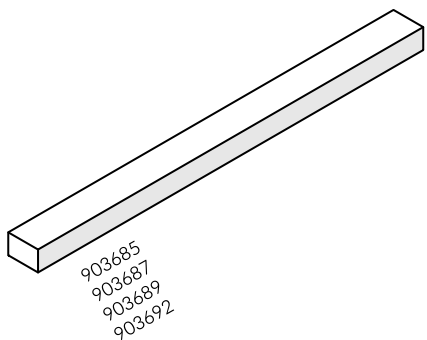




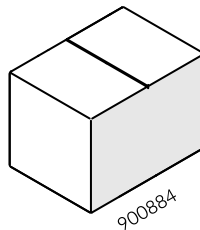
Check Risk Assessment



Packages



x4

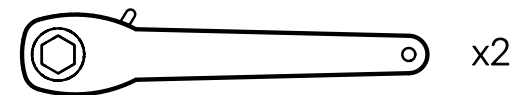


x4

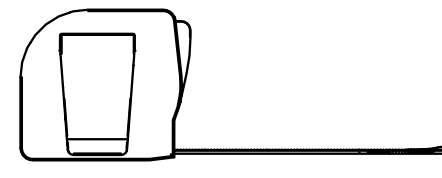
		L	W	H	Weight	Net
x1	903685	194cm / 76"	15cm / 6"	10cm / 4"	6kg / 13lbs	
x1	903687					
x1	903689					
x1	903692					
x4	900884	32cm / 12.5"	23cm / 9"	23cm / 9"	6kg / 13lbs	

Tools required (not supplied)

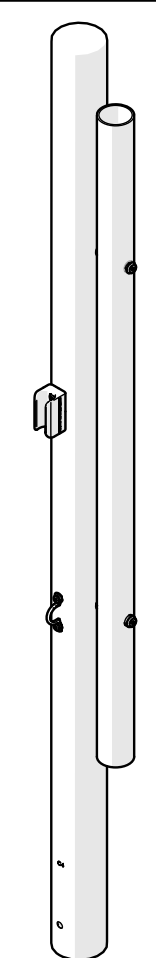
¼" Bit Driver Ratchet



Tape Measure



903685



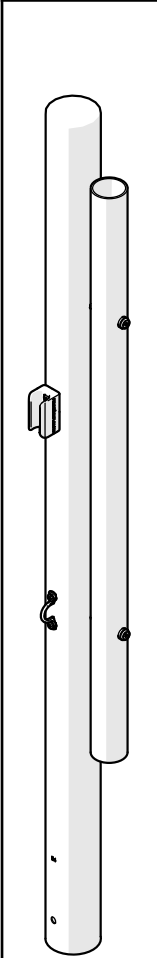
① x1
TX30
500473

⑥ x1
900837

ⓔ x2
500746

ⓕ x1
603150

903687



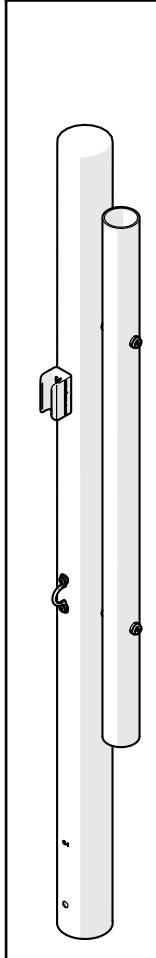
② x1
TX30
500473

⑥ x1
900837

ⓔ x2
500746

ⓕ x1
603150

903689



③ x1
TX30
500473

⑥ x1
900837

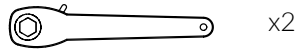
ⓔ x2
500746

ⓕ x1
603150

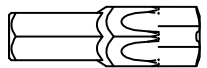
903692	
	<p>⑥ x1 900837</p>
	<p>⑤ x2 500746</p>
	<p>⑦ x1 603150</p>
	<p>x1 TX30 500473</p>
<p>④ x1 C5</p>	

900884	x4
<p>⑤ x1 800878</p>	
<p>Ⓐ x1 500667</p>	
<p>Ⓑ x1 500613</p>	
<p>Ⓒ x4 601543</p>	
<p>Ⓓ x4 601542</p>	
<p>TX45 x2 500720</p>	


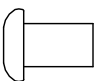
1. x4



x2



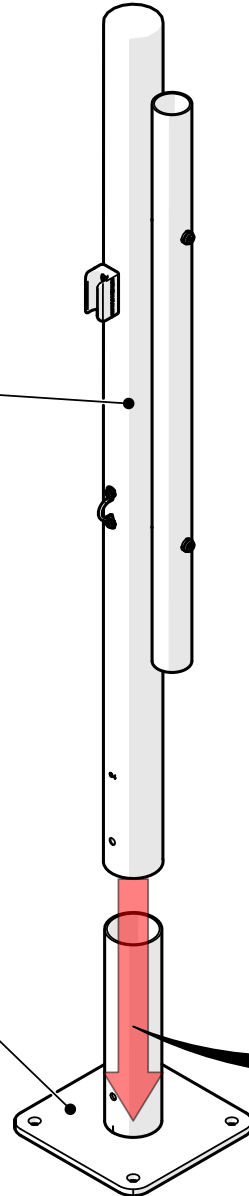
x2 TX45

A		x4
B		x4

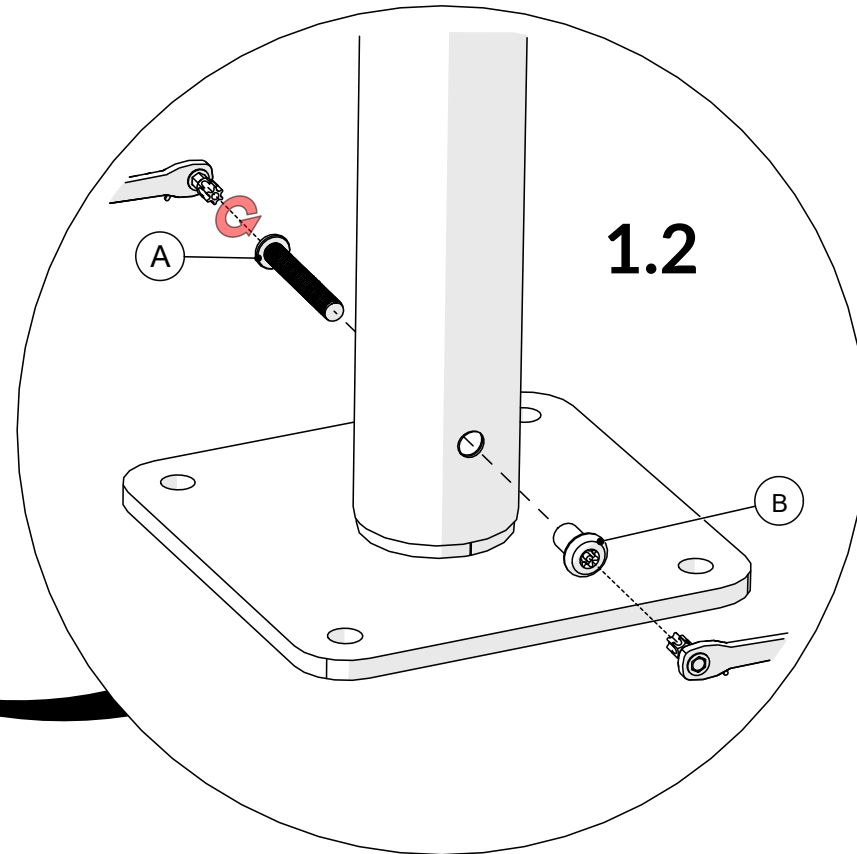
1.1

1-4

5



1.2



2. x4



Surface fixing should not present a hazard

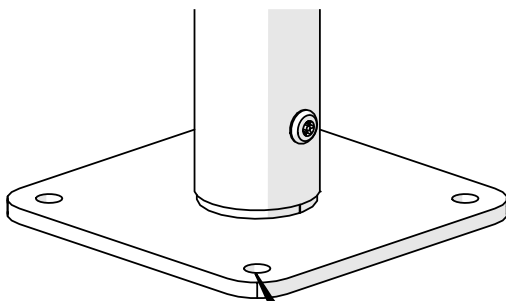
Refer to your local Health & Safety standards

C		x16
D		x16

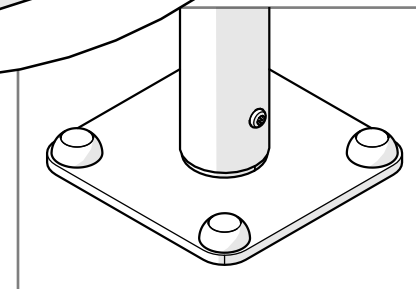
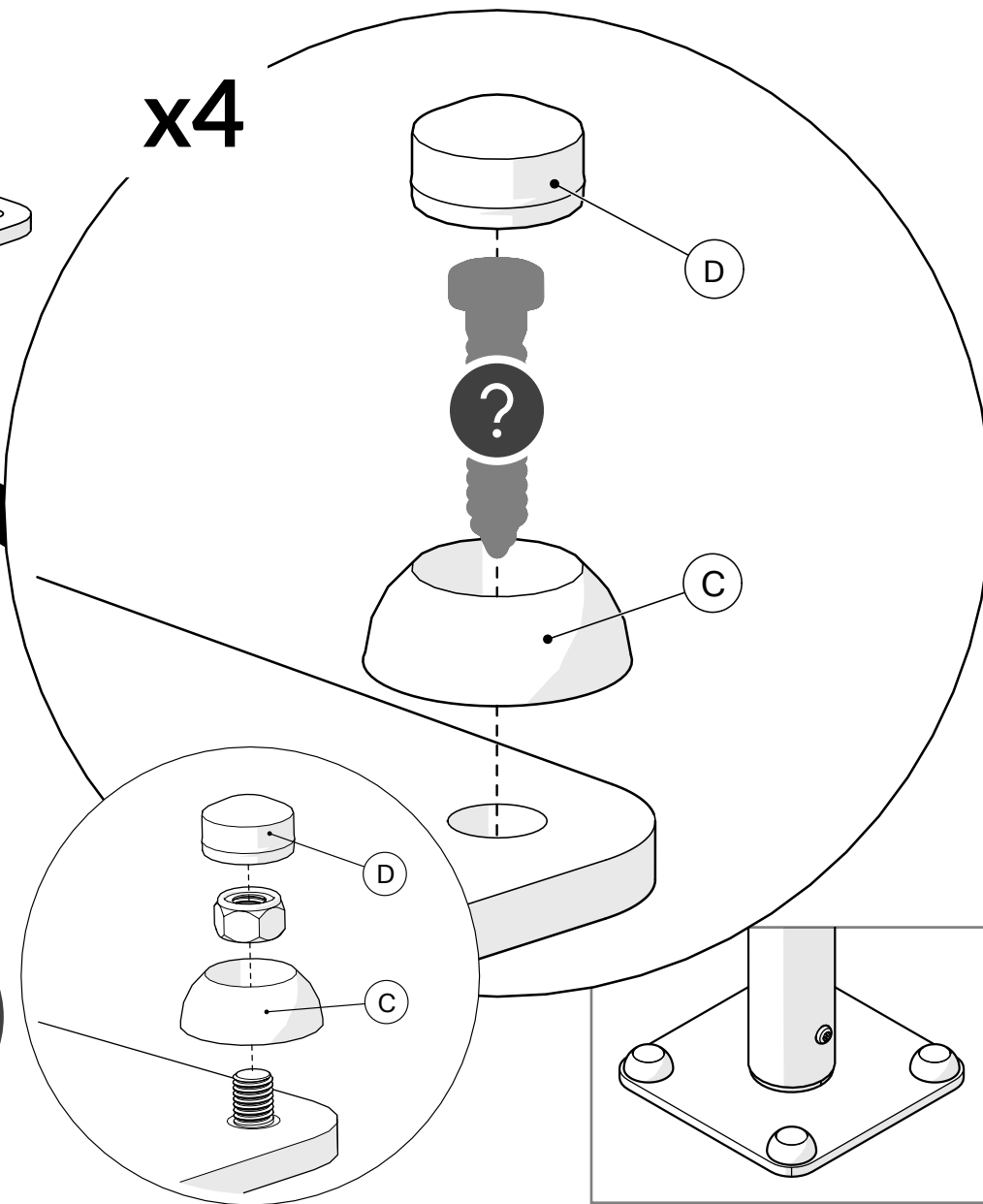
Surface

Example fixing

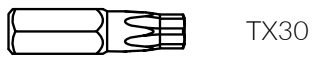
	Wood		x16
	Concrete		x16
	Brick		x16



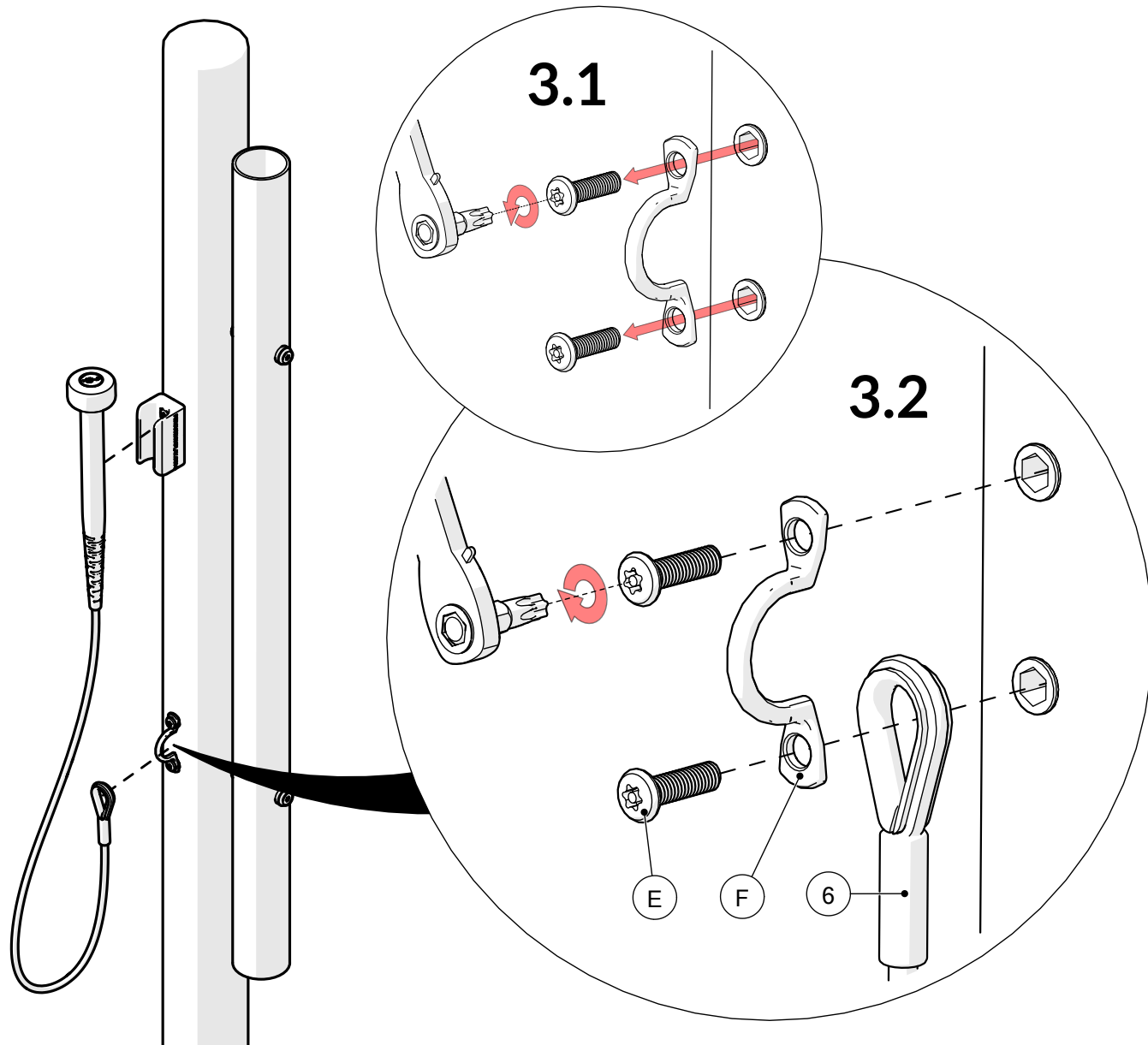
x4

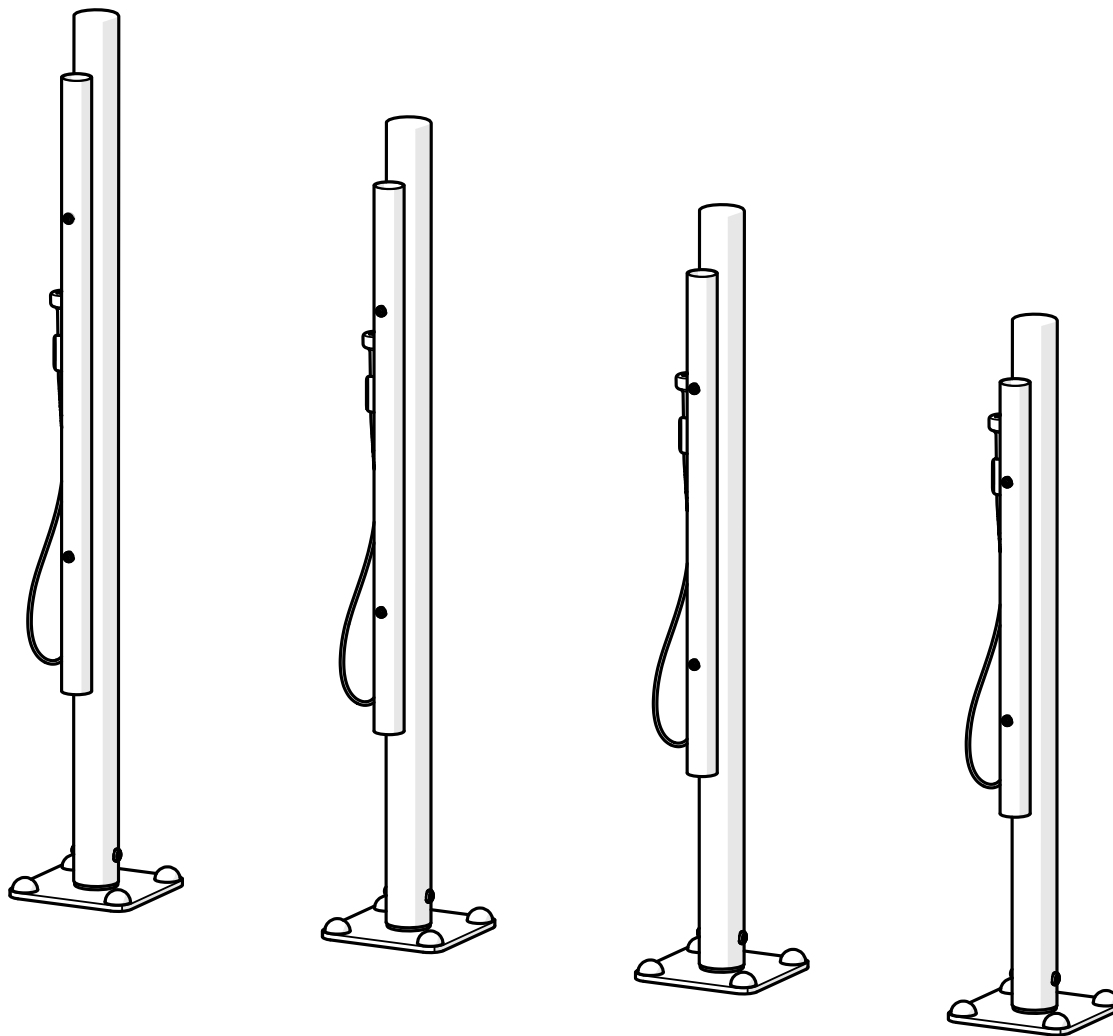


3. x4



6		x4
E		x8
F		x4





Layout for illustration purposes only



percussionplay.com



info@percussionplay.com



UK
[01730 235 180](tel:01730235180)

USA & CAN
[+1 \(866\) 882 9170](tel:+18668829170)

EUR & ROW
[+44 1730 235 180](tel:+441730235180)