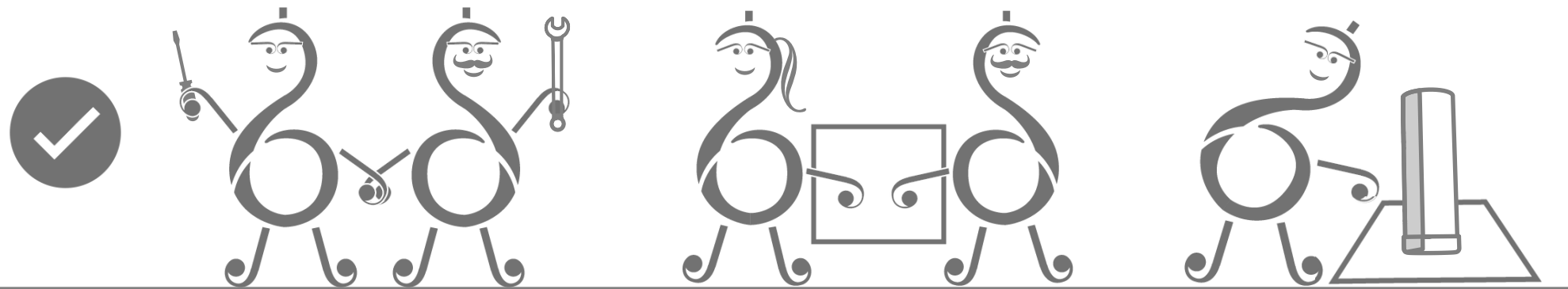
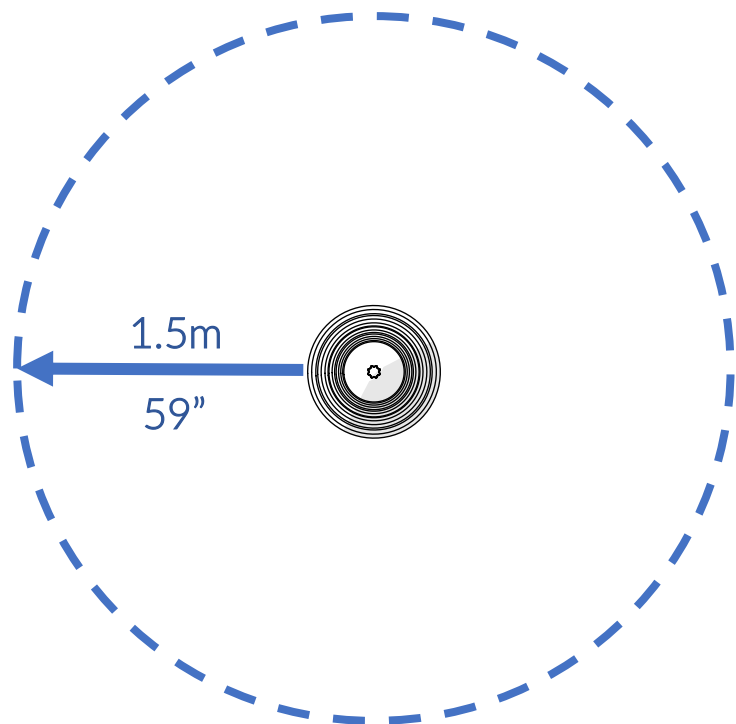


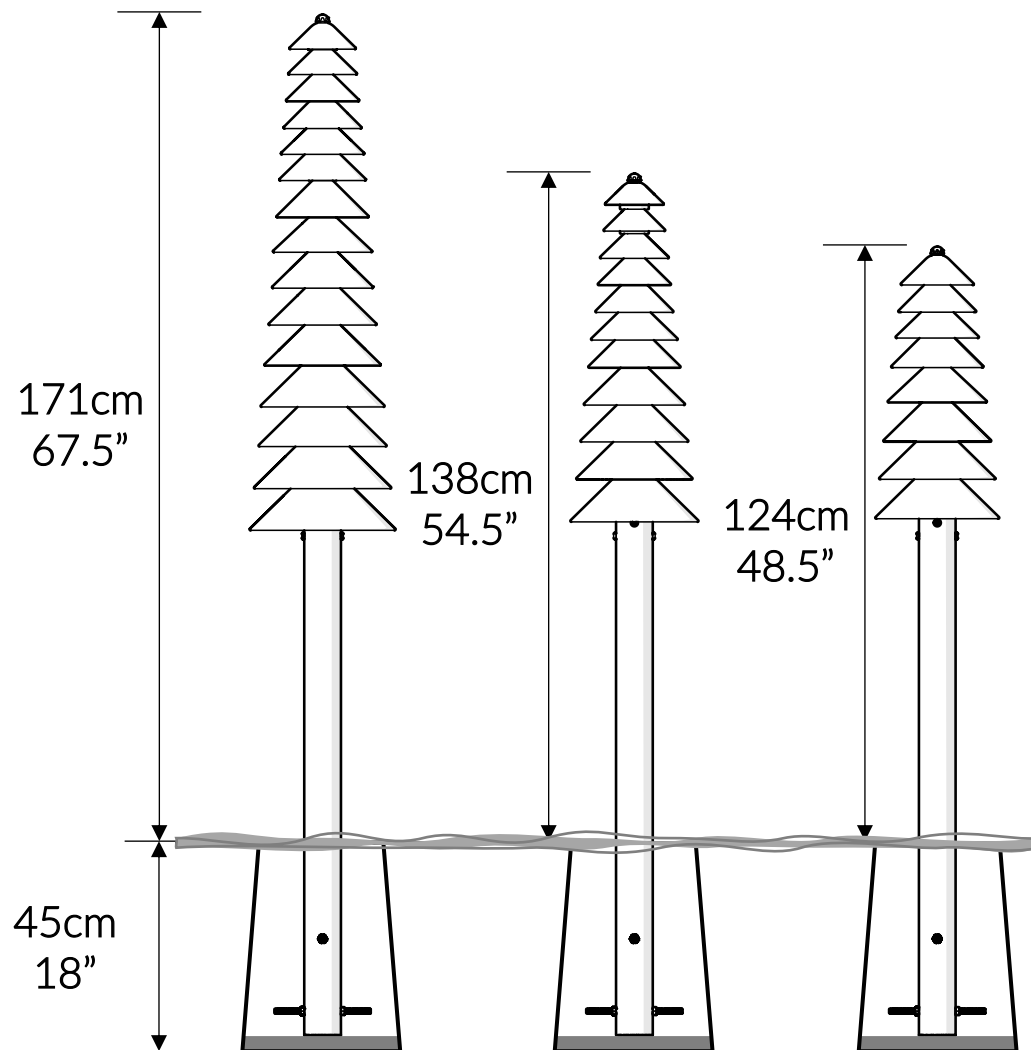
Part Reference	Description
PP-STRE-L-GF	Sylvan Bell-Tree Grande (Ground Fix)
PP-STRE-M-GF	Sylvan Bell-Tree Tall (Ground Fix)
PP-STRE-S-GF	Sylvan Bell-Tree Short (Ground Fix)



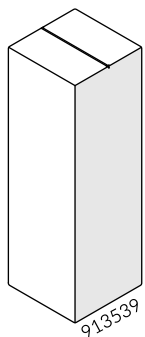




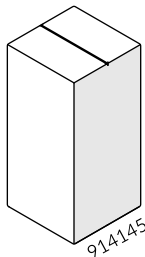
Check Risk Assessment



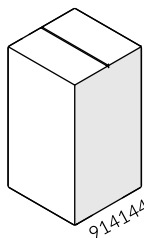
### Packages



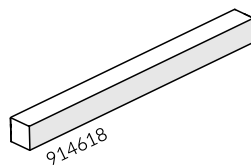
x1



x1



x1

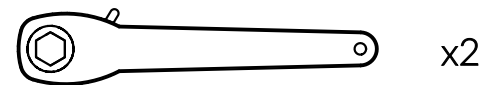


x1

		L	W	H	Weight
x1	Grande-913539	75cm / 29.5"	27cm / 11"	27cm / 11"	13kg / 28.5lbs
x1	Tall-914145	77cm / 30.5"	37cm / 14.5"	37cm / 14.5"	8kg / 17.5lbs
x1	Short-914144	67cm / 26.5"	37cm / 14.5"	37cm / 14.5"	7kg / 15.5lbs
x1	914618	115cm / 45"	11cm / 4.5"	11cm / 4.5"	4.5kg / 10lbs

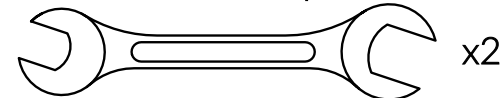
### Tools required (not supplied)

¼" Bit Driver Ratchet



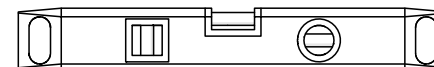
x2

11/16" / 17mm Spanner

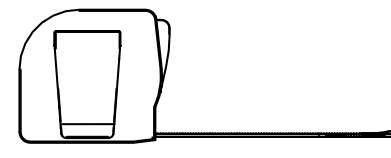


x2

Spirit level



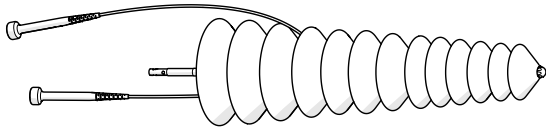
Tape Measure



913539

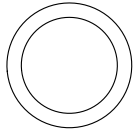
① x1

Grande



⑤ x5

514598



⑥ x2

613533



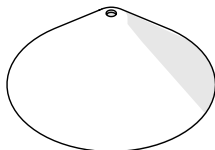
⑦ x1

614171



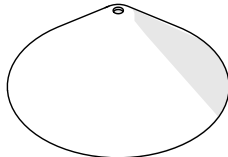
③ x1

606182



④ x1

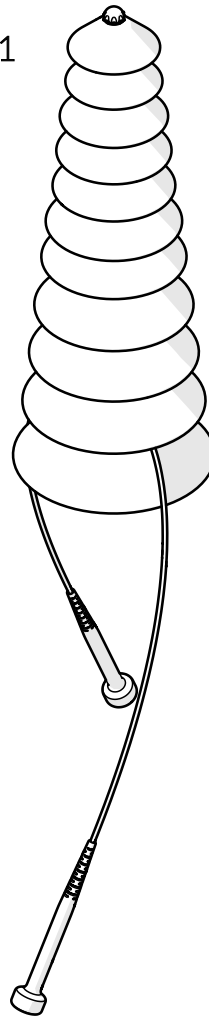
606180



914145

① x1

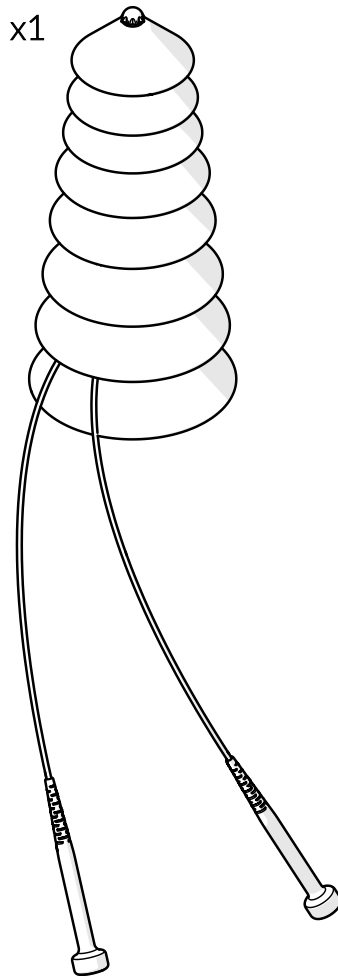
Tall



914144

① x1

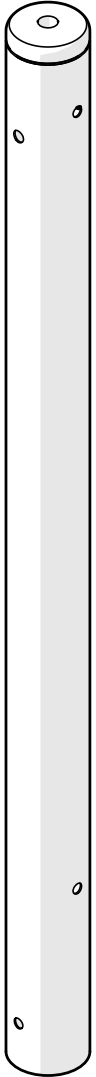
Short



914618

Not to scale

② x1  
814386



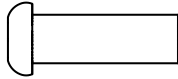
Ⓐ x2  
500680



Ⓓ x2  
500627



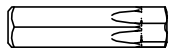
Ⓑ x2  
501412



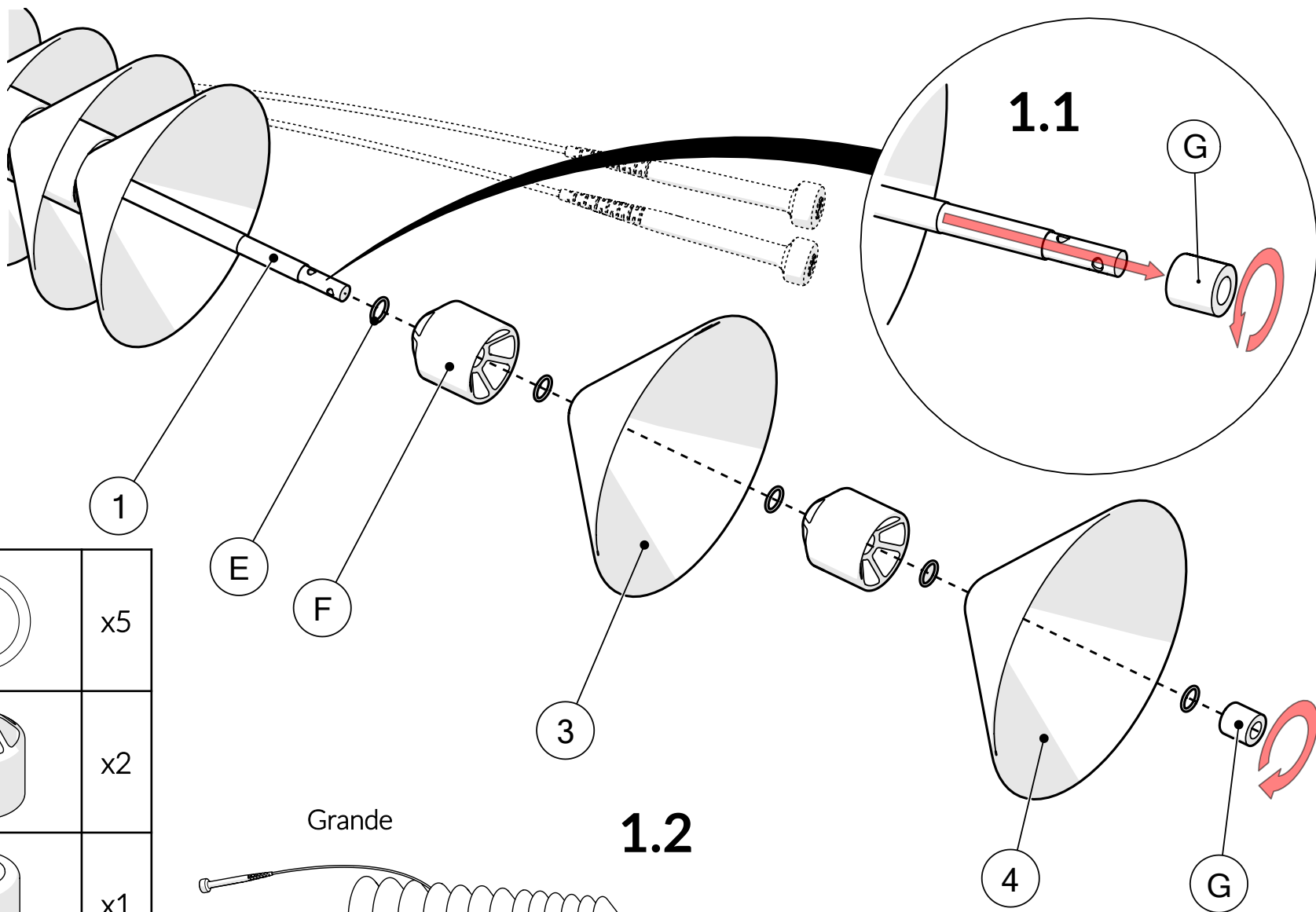
Ⓒ x4  
500457



TX40 x2  
500474



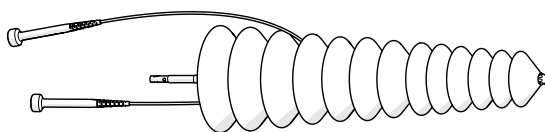
**1.**



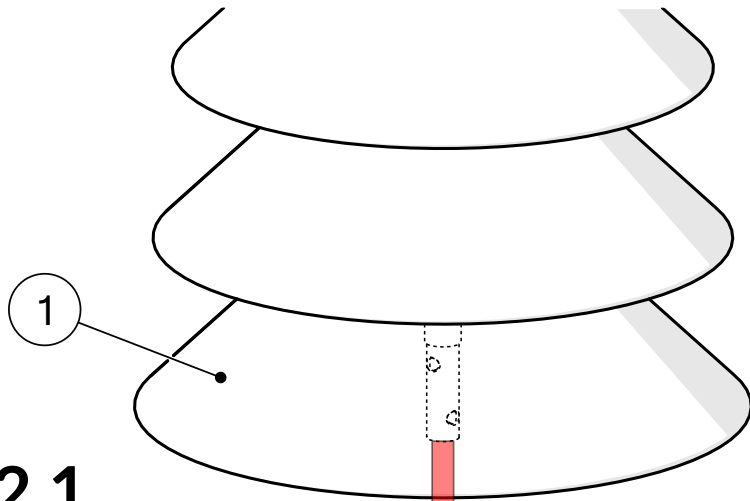
E		x5
F		x2
G		x1

Grande

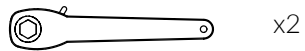
**1.2**



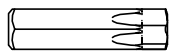
# 2. x3



## 2.1

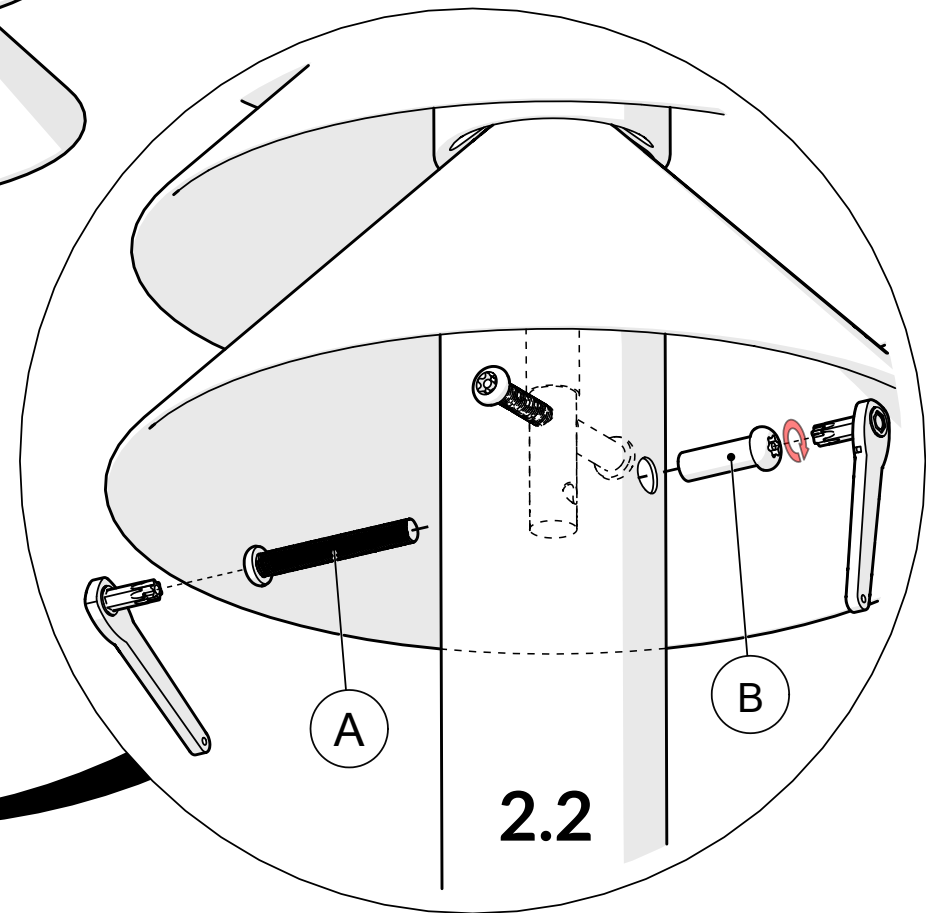
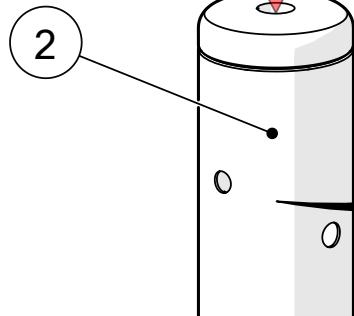


x2



x2 TX40

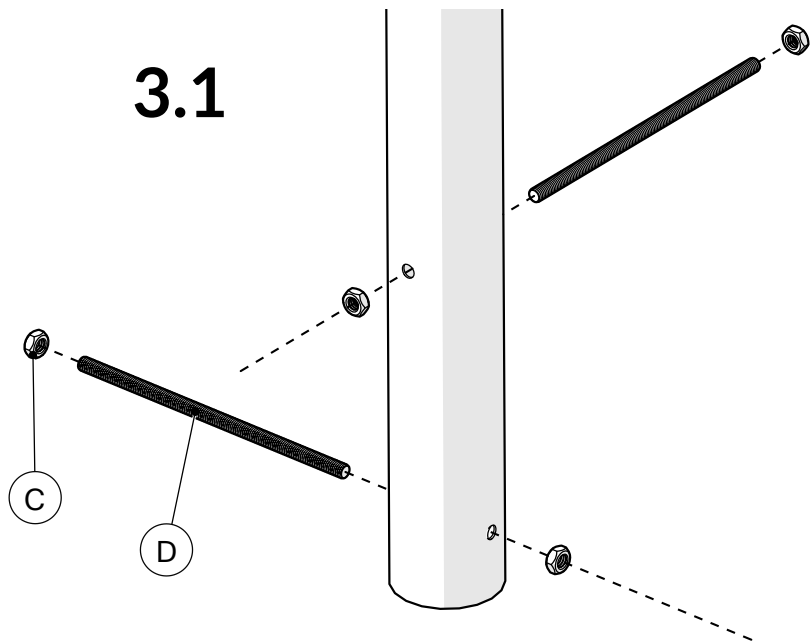
A		x2
B		x2



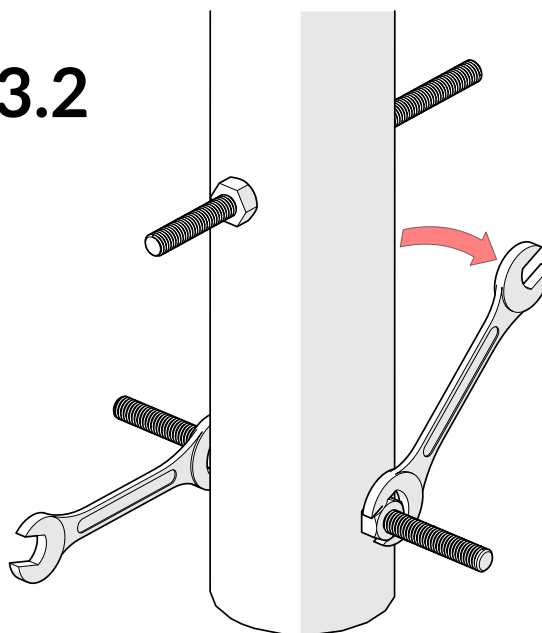
## 2.2

# 3. x3

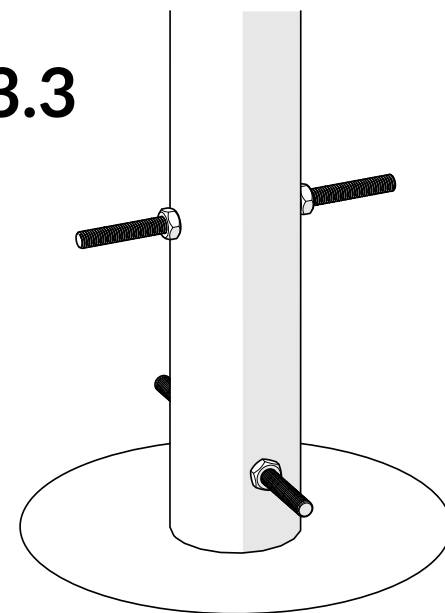
3.1




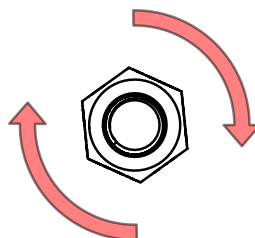
3.2



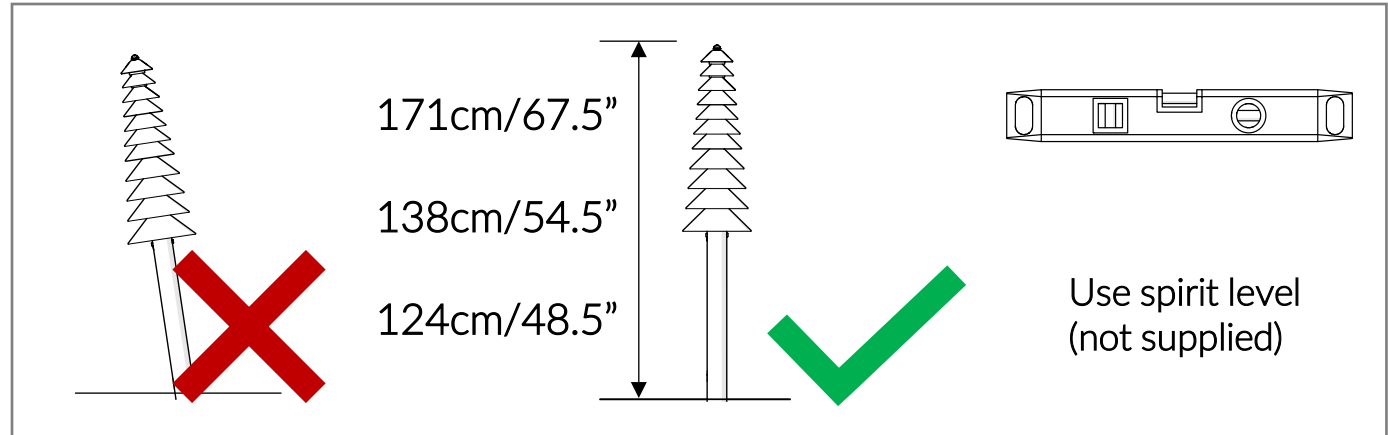
3.3



C		x4
D		x2

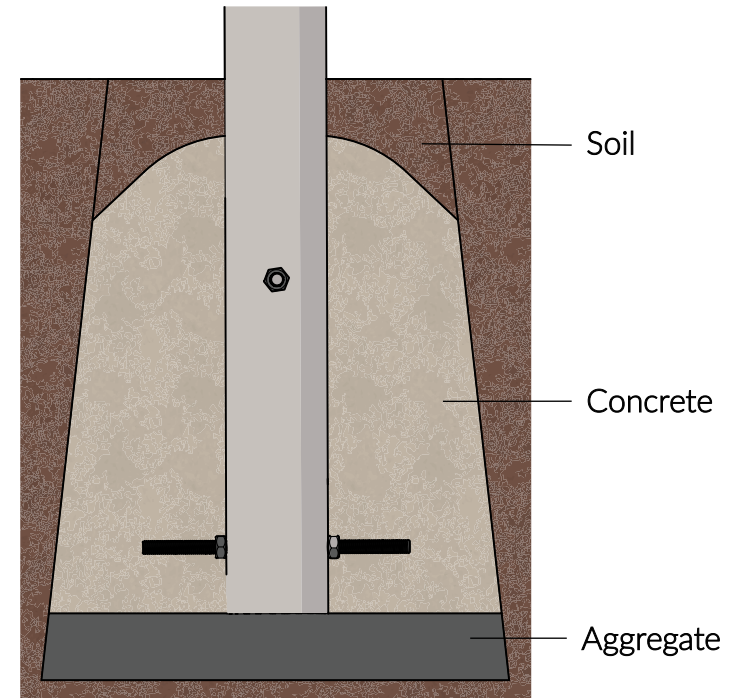
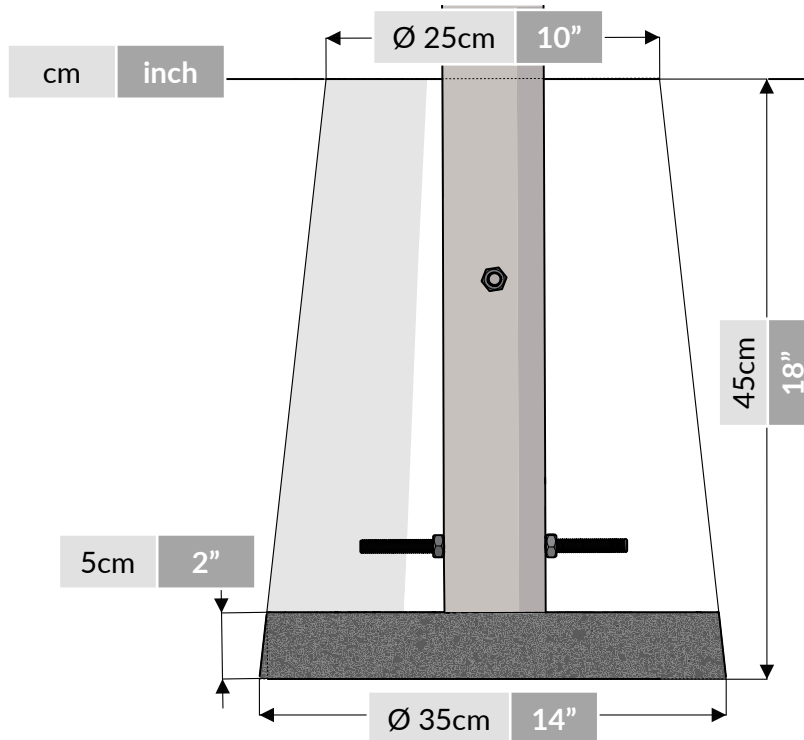


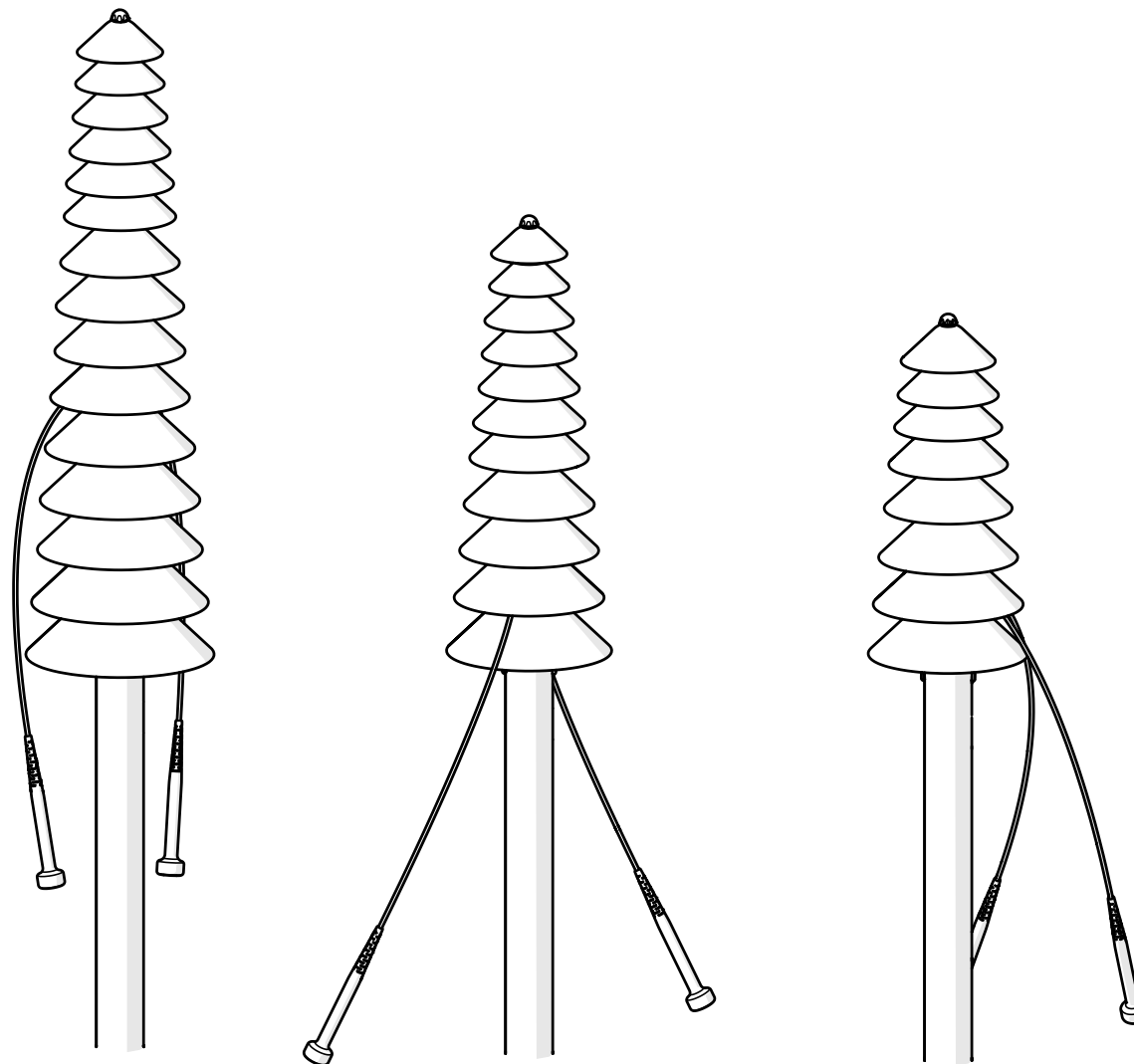
# 4. x3



Foundations should not present a hazard

Refer to your local Health & Safety standards





[percussionplay.com](http://percussionplay.com)



[info@percussionplay.com](mailto:info@percussionplay.com)



UK  
[01730 235 180](tel:+441730235180)

USA & CAN  
[+1 \(866\) 882 9170](tel:+18668829170)

EUR & ROW  
[+44 1730 235 180](tel:+441730235180)