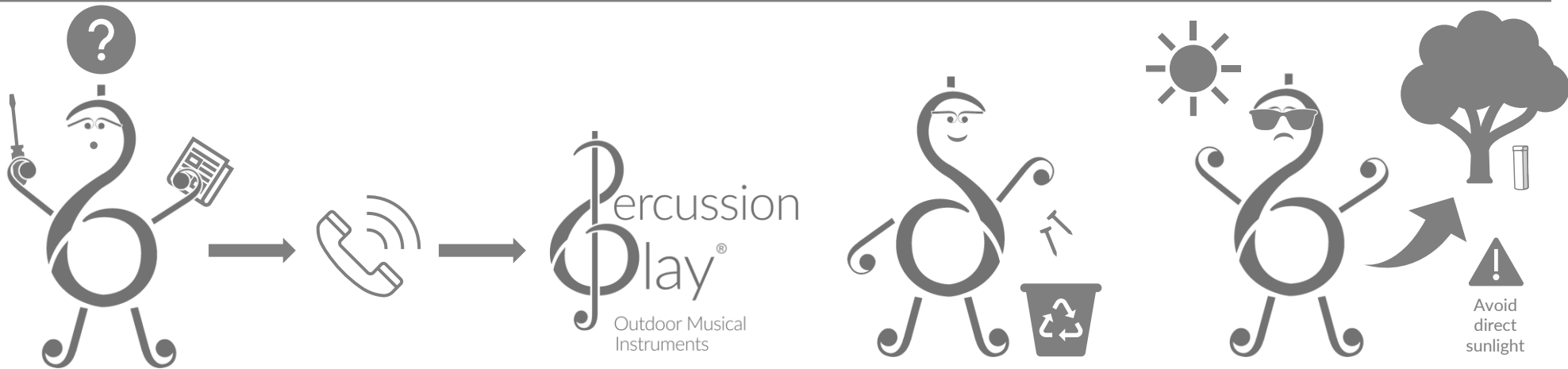
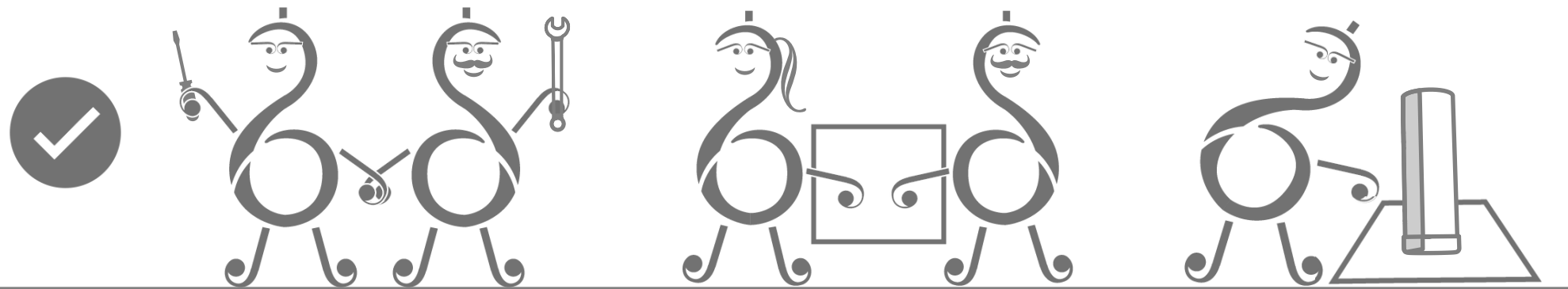
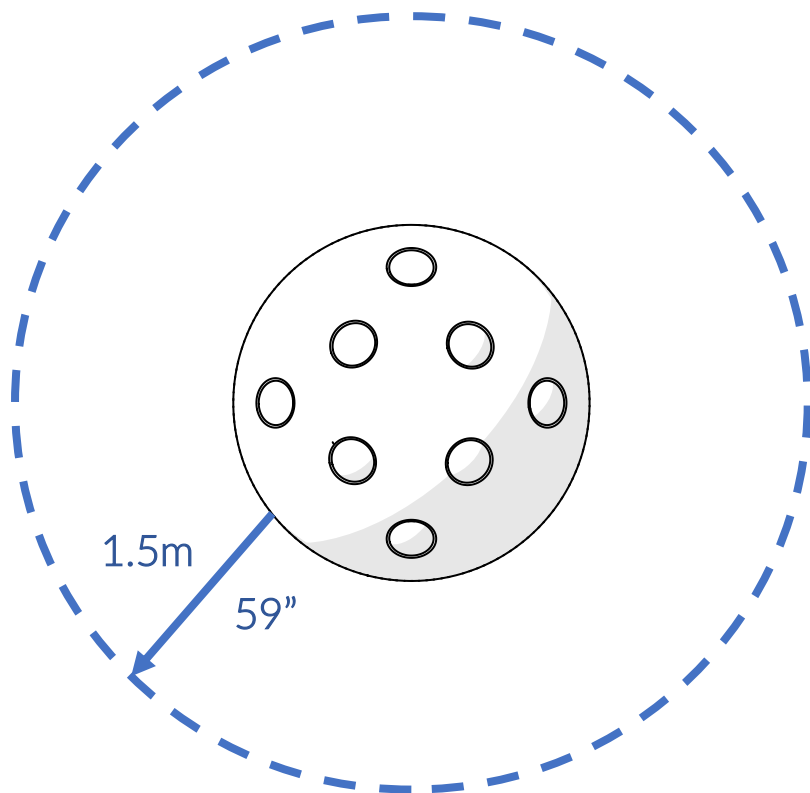


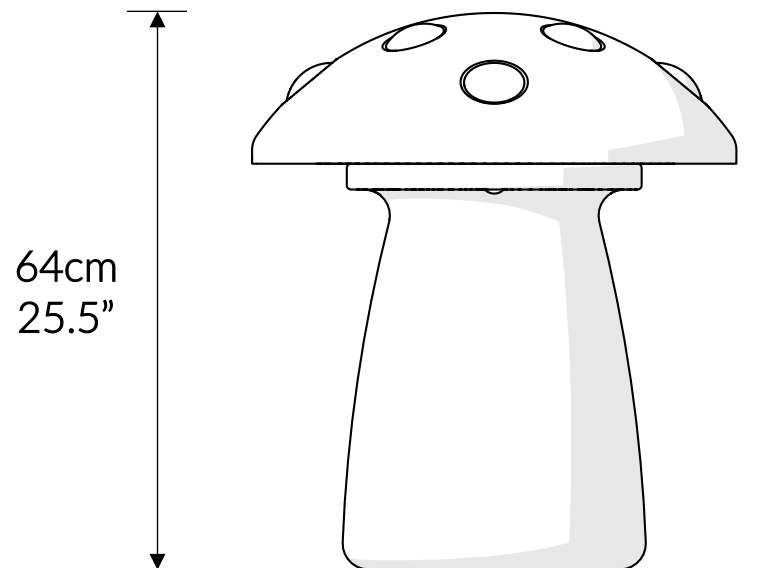
Part Reference	Description
PP-TOAD-SF	Toadstool (Surface Fix)



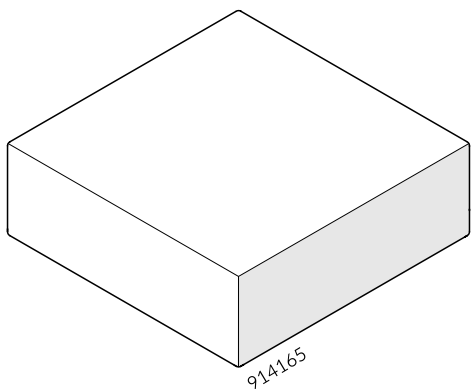




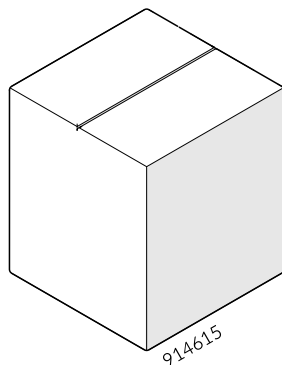
Check Risk Assessment



Packages



x1



x1

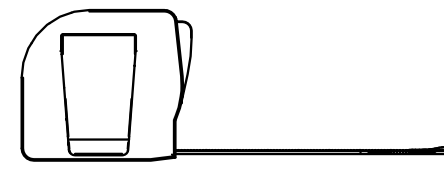
		L	W	H	Weight	Net
x1	914165	75cm / 29.5"	75cm / 29.5"	25cm / 10"	8kg / 17.5lbs	
x1	914615	50cm / 19.5"	40cm / 15.5"	40cm / 15.5"	11kg / 24.5lbs	

Tools required (not supplied)

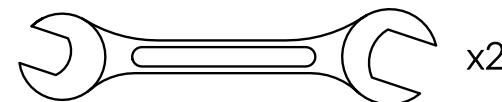
¼" Bit Driver Ratchet

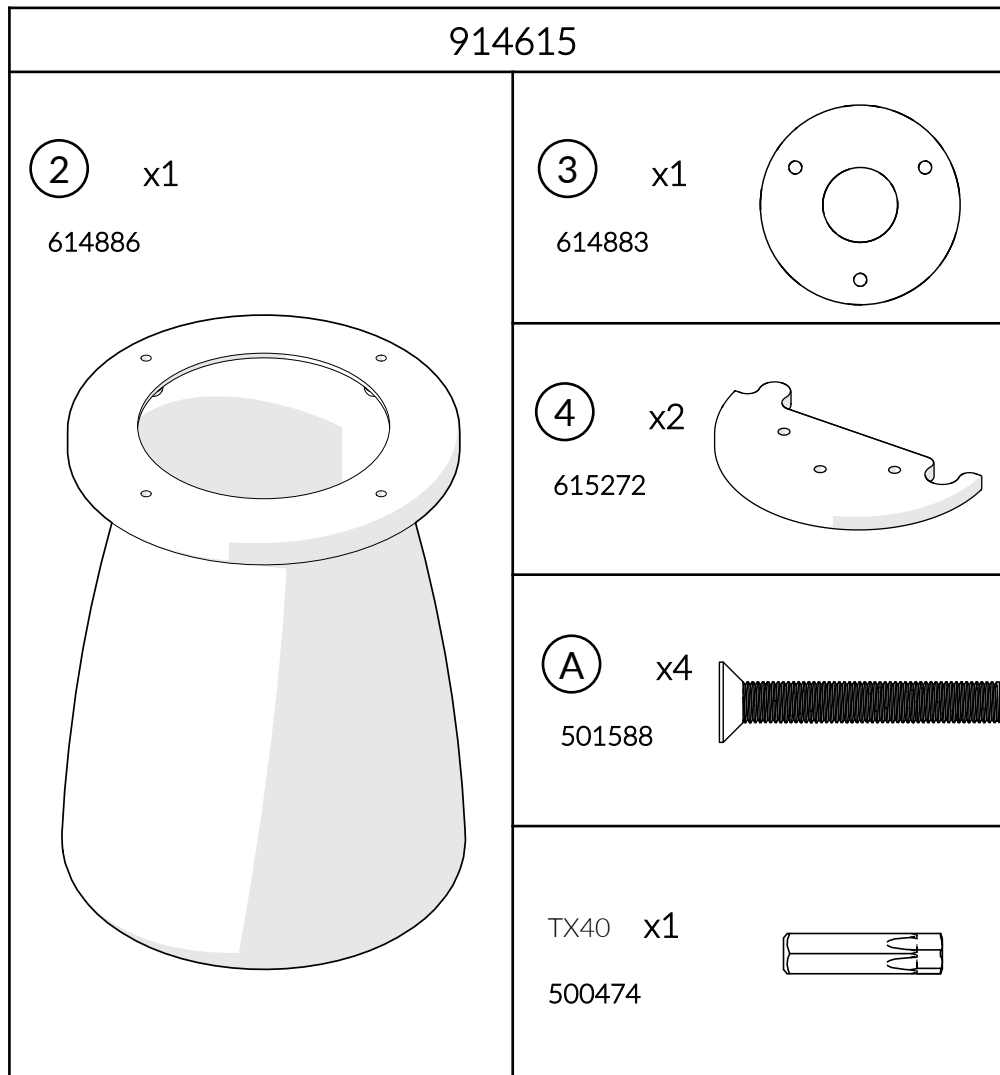
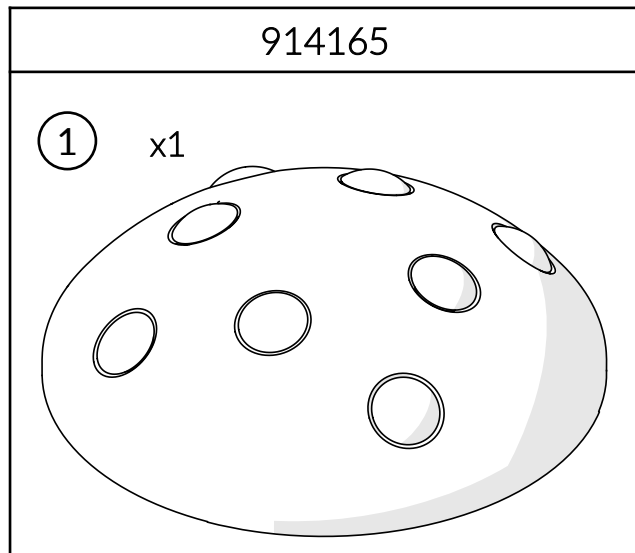


Tape Measure



48/64" / 19mm Spanner






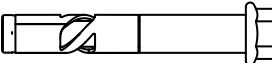

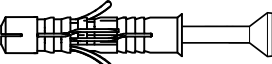


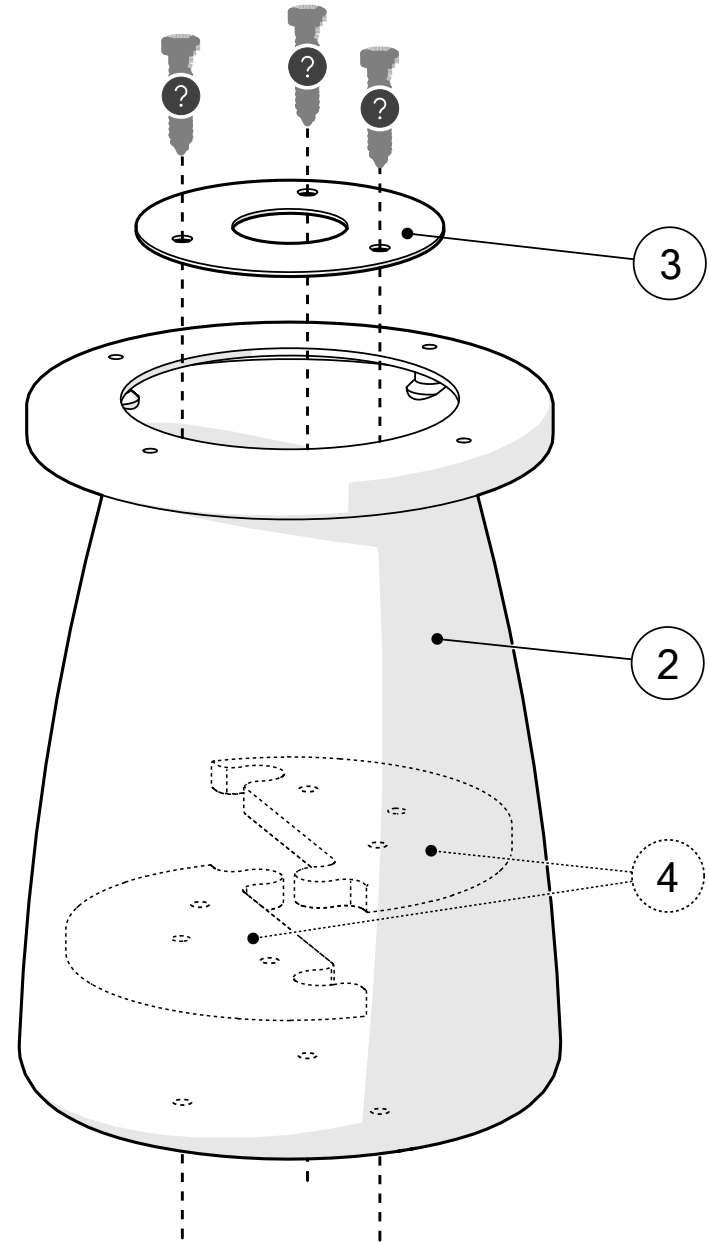
1.



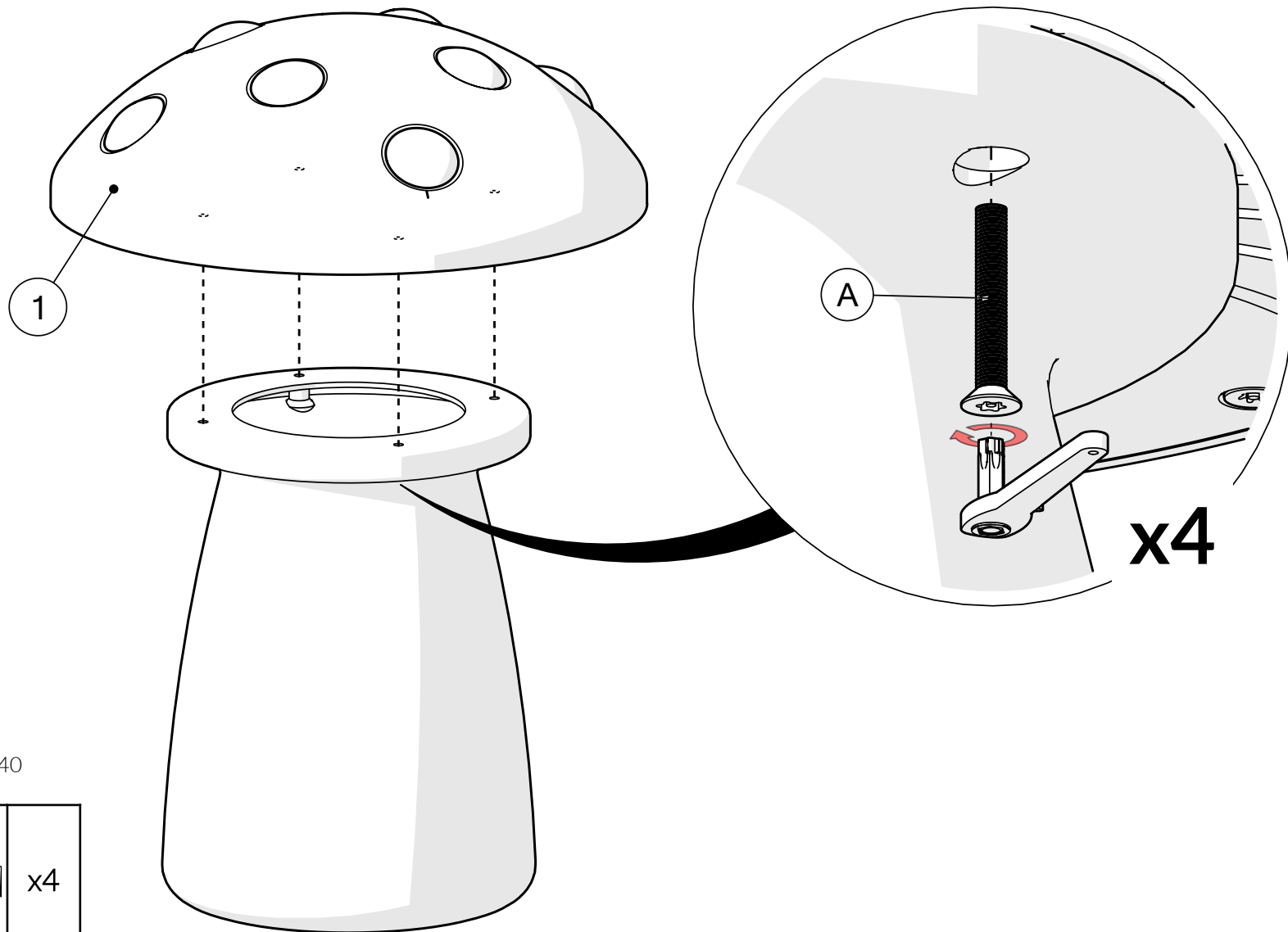
Surface fixing
should not present
a hazard

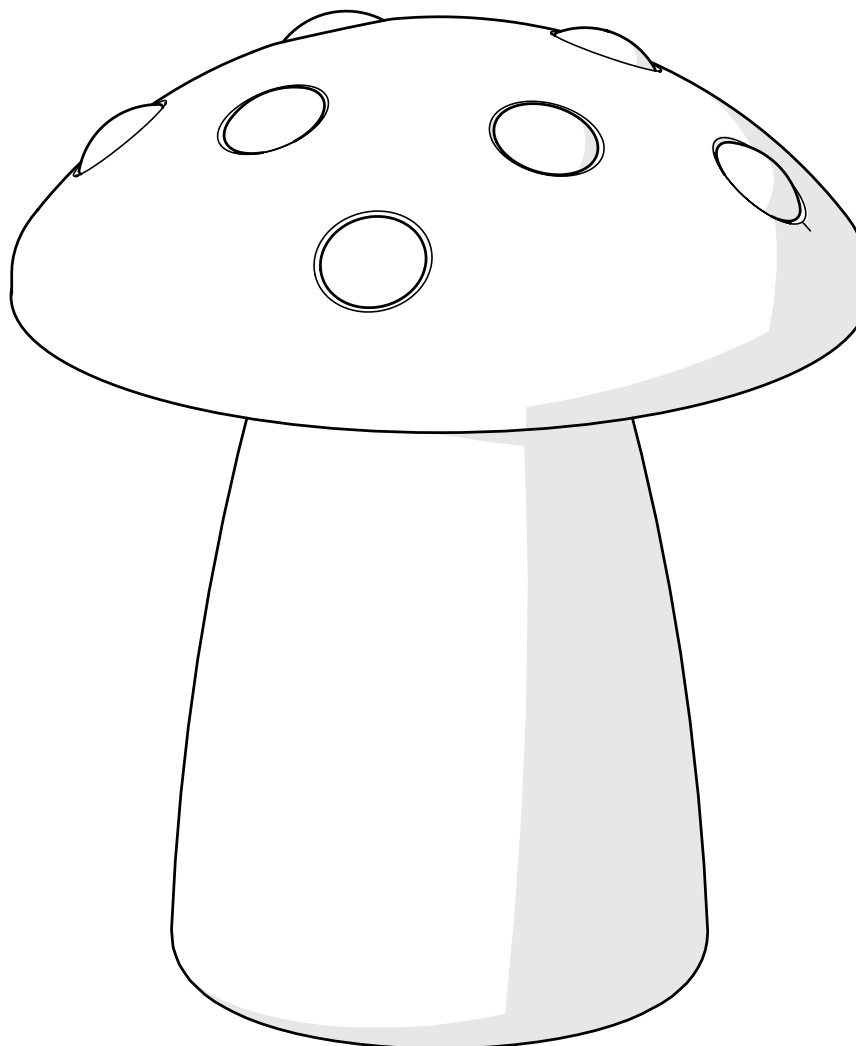
Refer to your local
Health & Safety
standards

Surface	Example fixing	
 Wood		x3
 Concrete		x3
 Brick		x3



2.





percussionplay.com



info@percussionplay.com



UK
[01730 235 180](tel:01730235180)

USA & CAN
[+1 \(866\) 882 9170](tel:+18668829170)

EUR & ROW
[+44 1730 235 180](tel:+441730235180)