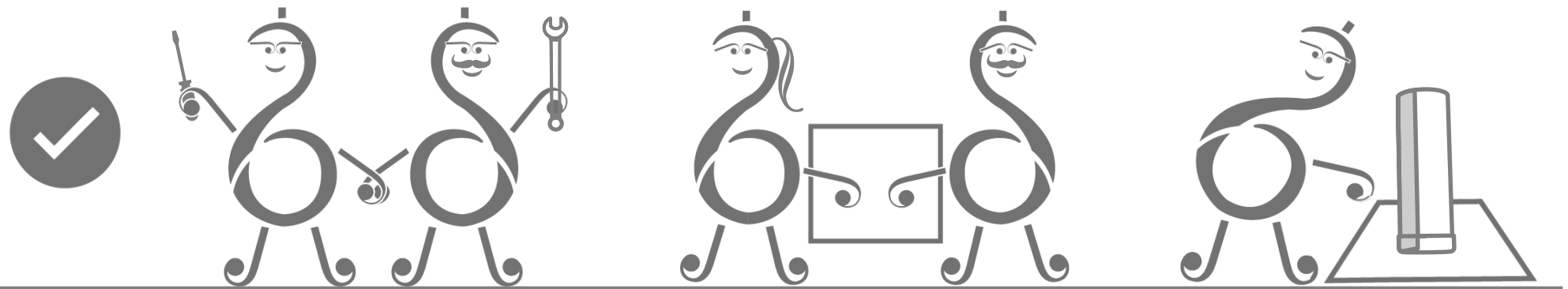
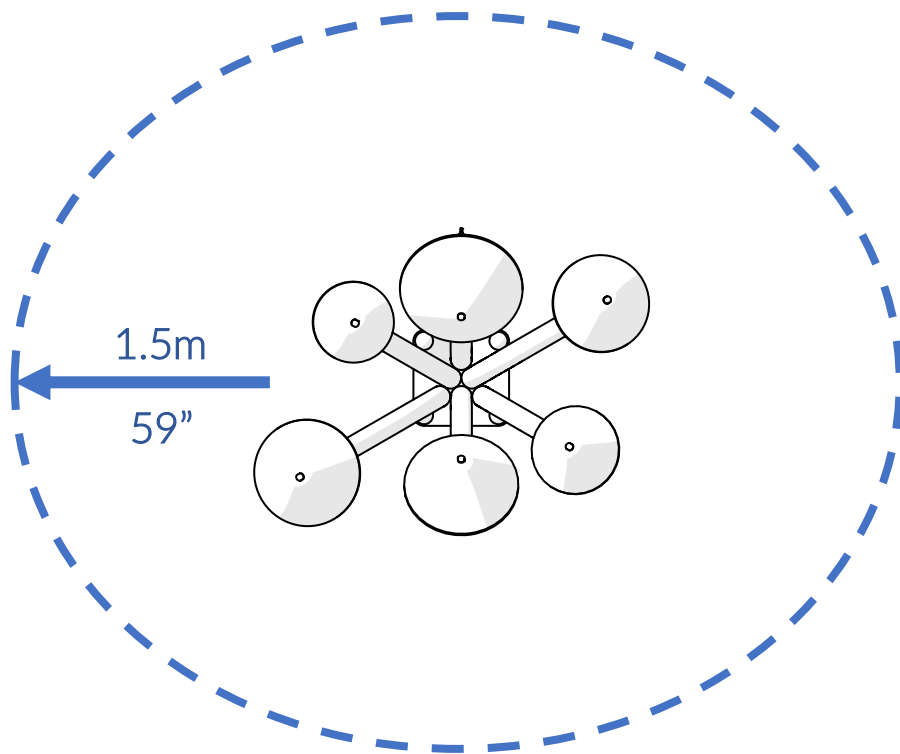


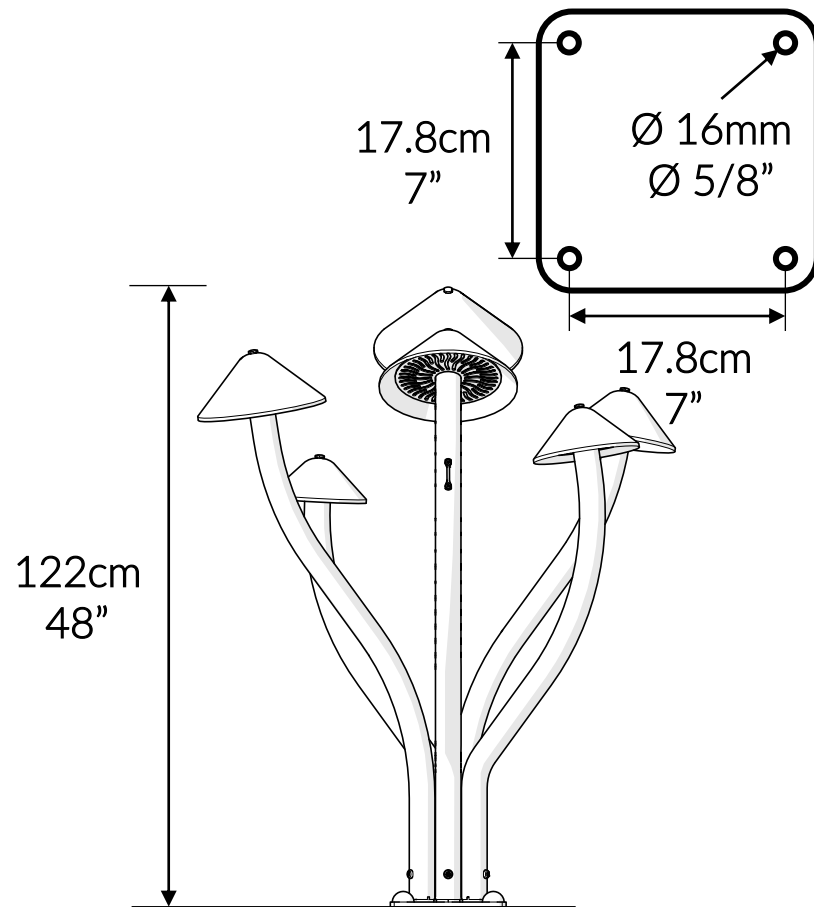
Part Reference	Description
PP-LIBE-S6-SU	Liberty Bells C-Major (Set of 6) (Surface Fix)



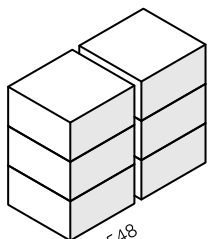




Check Risk Assessment

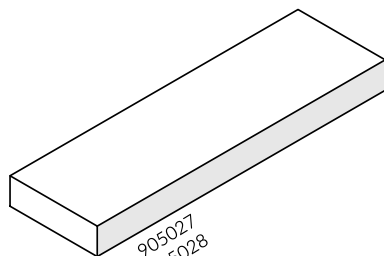


## Packages



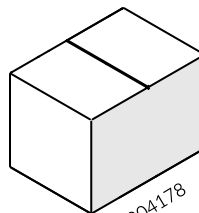
904548  
904549  
904550  
904551  
904552  
904553

x1



905027  
905028

x2



904178

x1

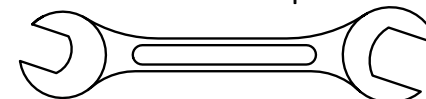
		L	W	H	Weight	Net
x1	904548	32cm / 12.5"	31cm / 12"	17cm / 6.5"	2kg / 4.5lbs	
x1	904549					
x1	904550					
x1	904551					
x1	904552					
x1	904553					
x1	905027	142cm / 56"	43cm / 17"	13cm / 5"	11kg / 24lbs	
x1	905028					
x1	904178	32cm / 12.5"	23cm / 9"	23cm / 9"	12kg / 26.5lbs	

## Tools required (not supplied)

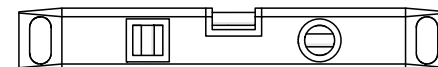
¼" Bit Driver Ratchet



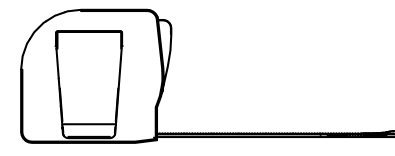
5/8" / 16mm Spanner

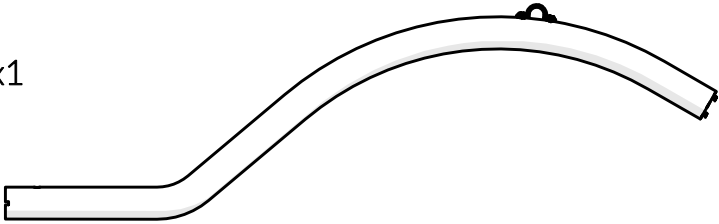
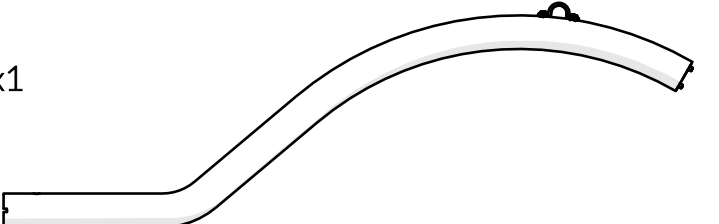
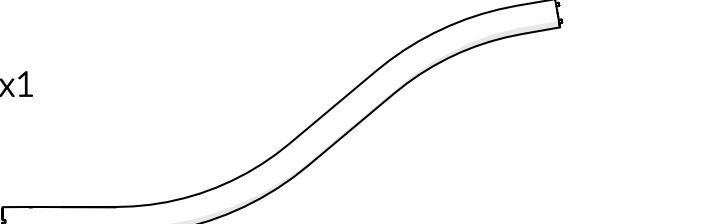

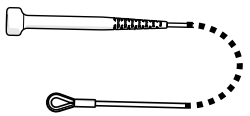
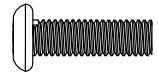
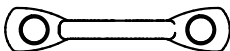


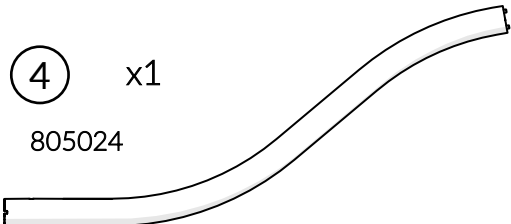
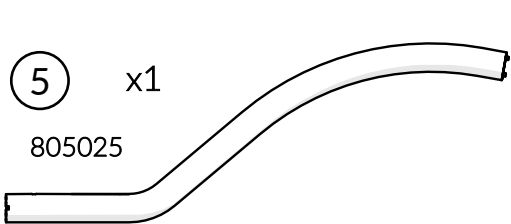
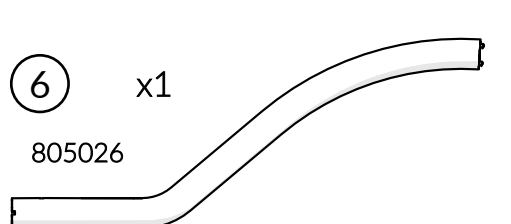
Spirit level

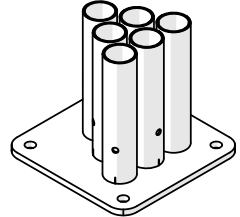
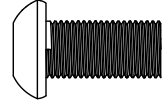


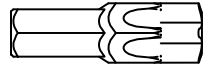


Tape Measure



Not to scale		905027			
①	x1				
805021					
②	x1				
805022					
③	x1				
805023					
TX30	x1		⑧	x4	
500473			900873		
④	x4		⑤	x2	
500746			603150		

905028	
④	x1
805024	
⑤	x1
805025	
⑥	x1
805026	

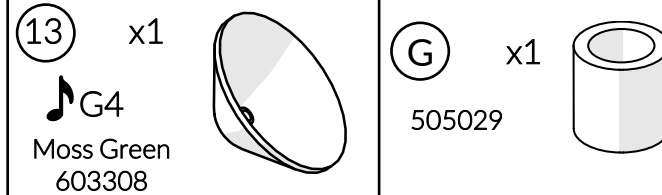
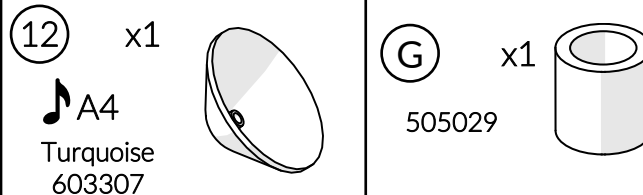
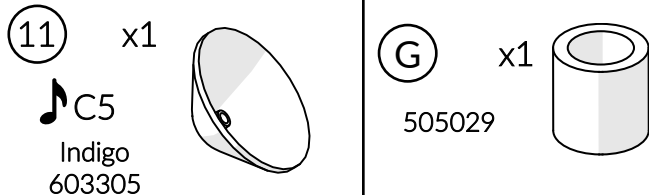
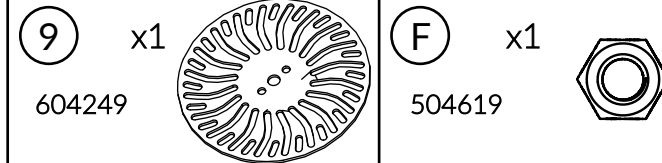
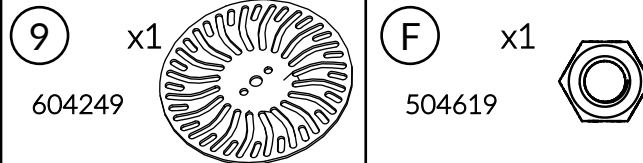
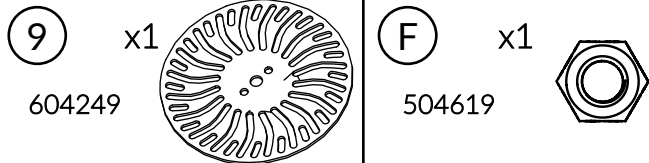
904178		
⑦	x1	
804903		
⑨	x6	
501203		
⑩	x4	
601543		
⑪	x4	
601542		
TX45	x1	
500720		

904548

904549

904550

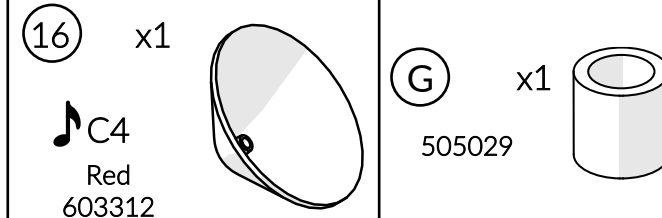
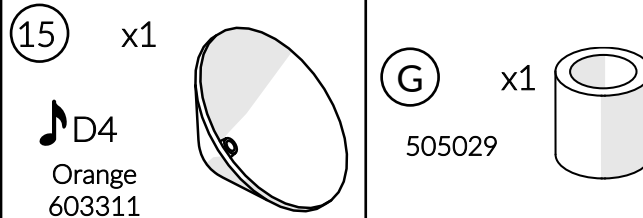
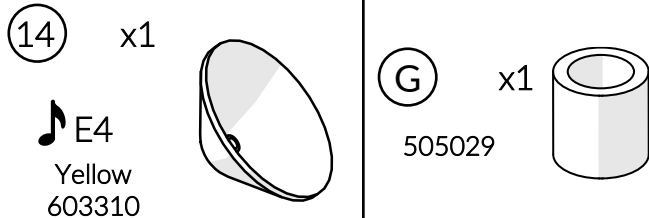
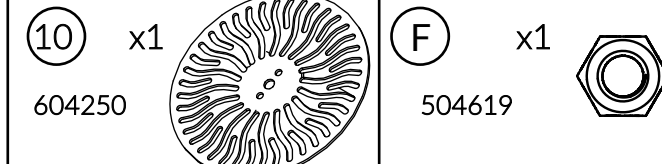
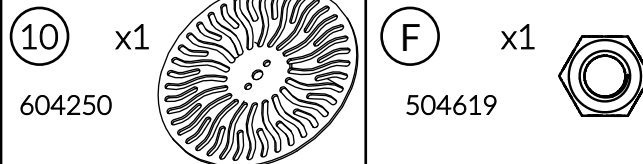
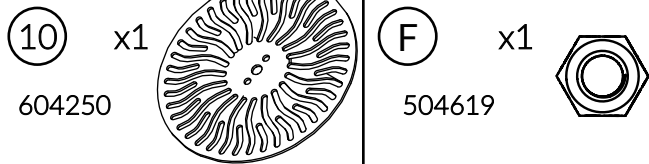
Not to scale



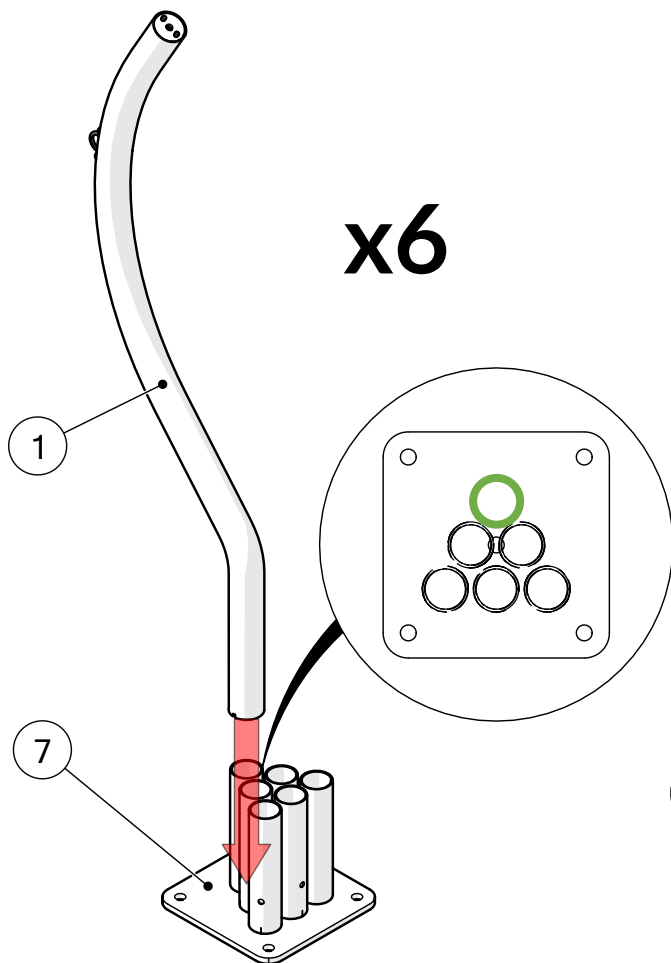
904551

904552

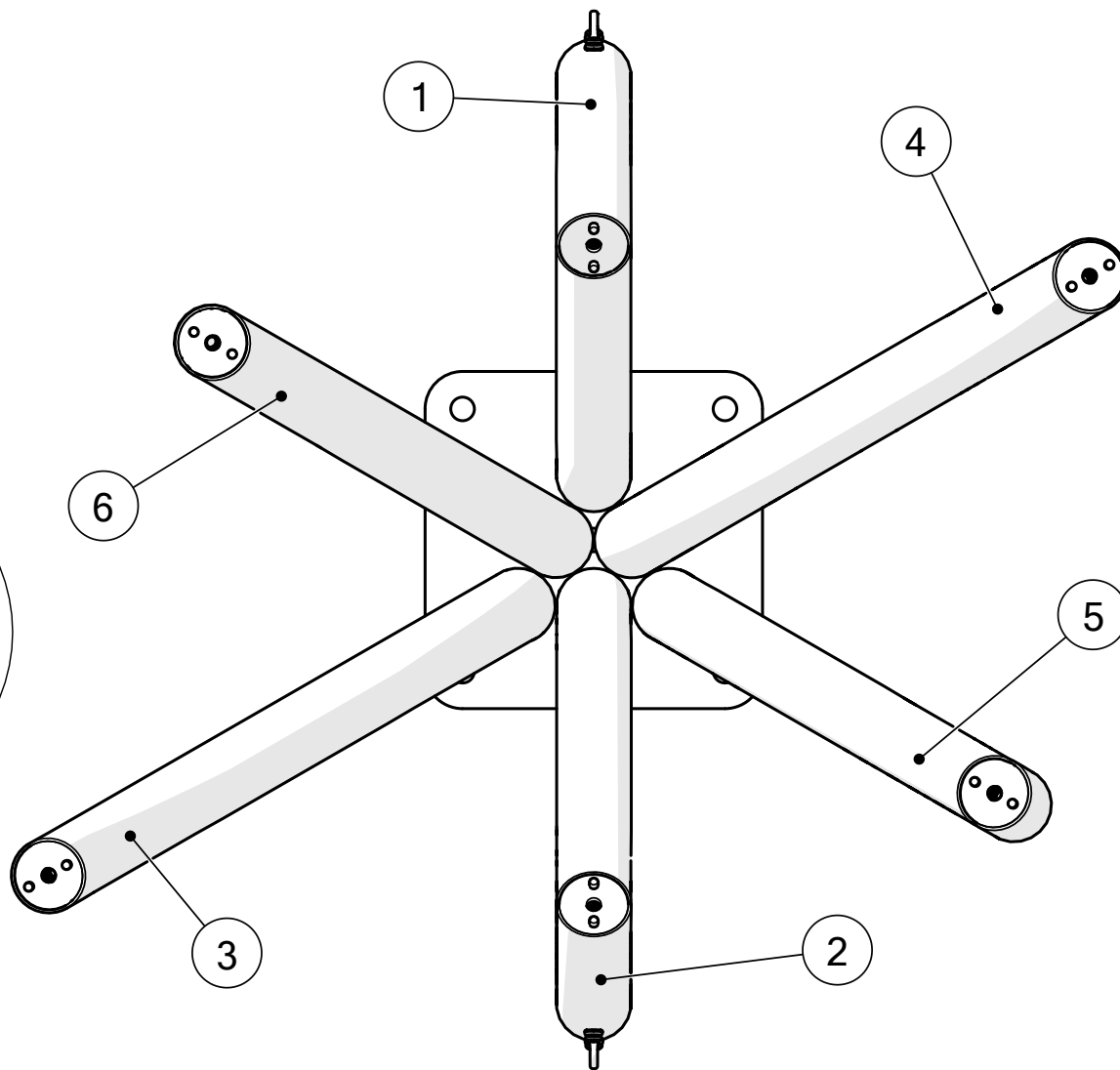
904553



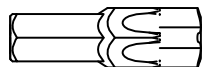
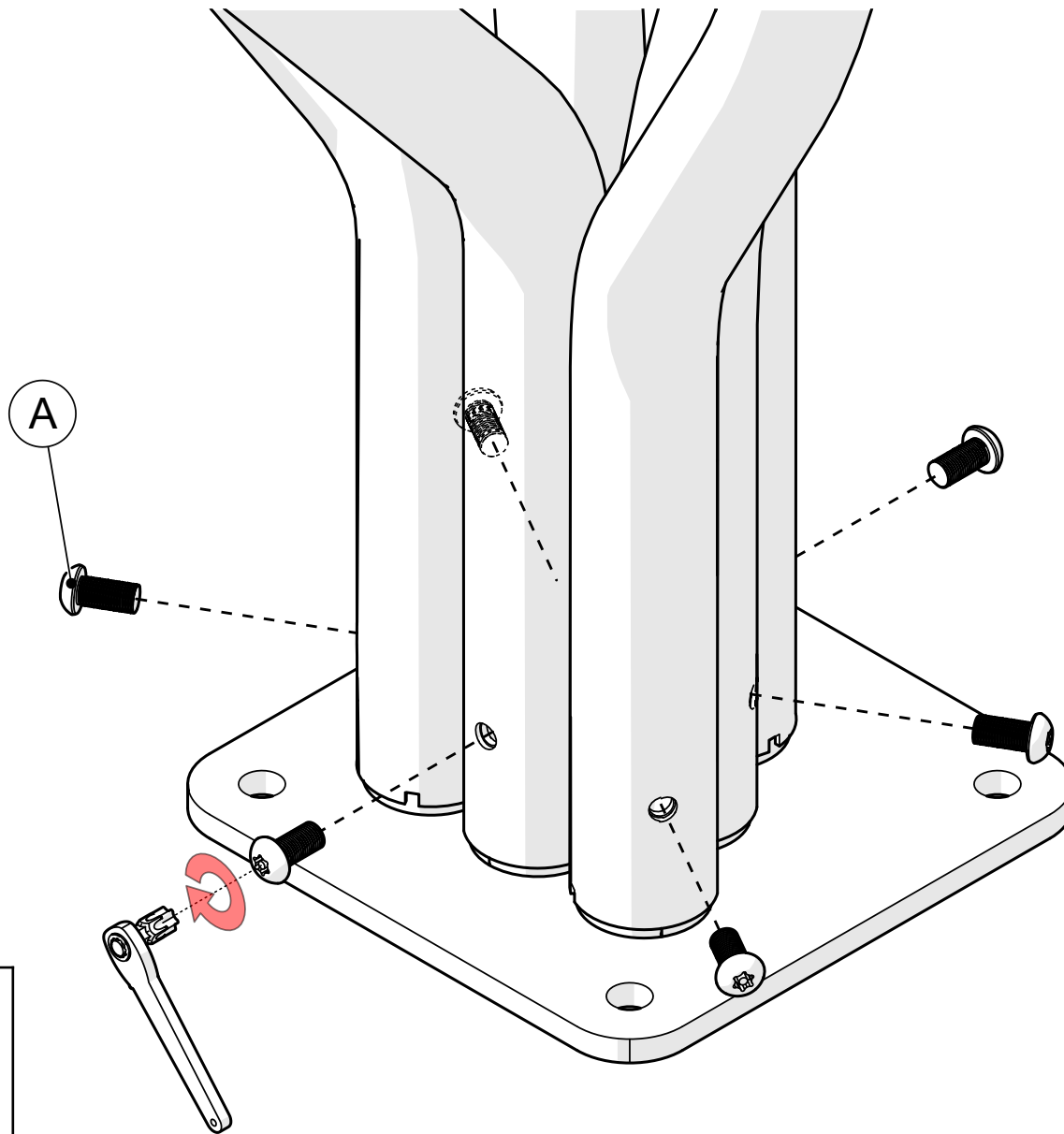
1.



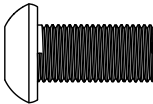
x6



2.



TX45

A		x6
---	---	----



# 3.



Surface fixing should not present a hazard

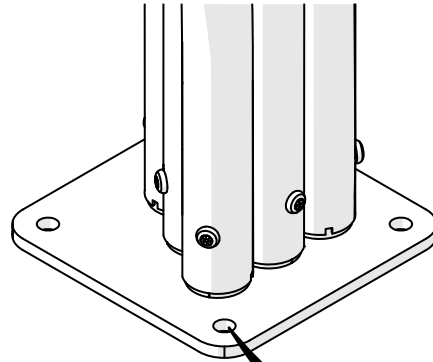
Refer to your local Health & Safety standards

D		x4
E		x4

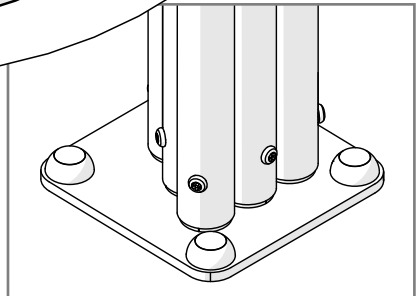
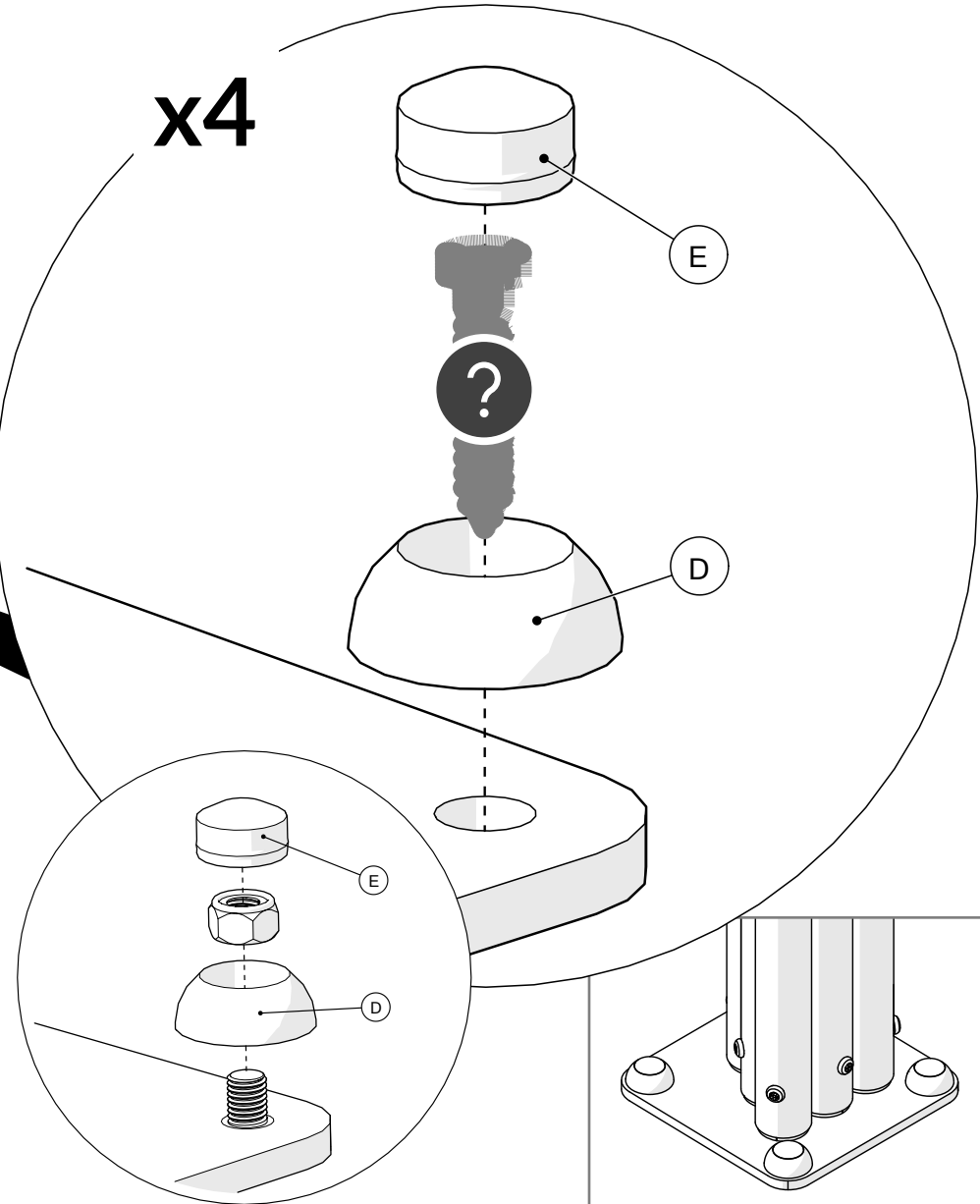
Surface

Example fixing

	Wood		x4
	Concrete		x4
	Brick		x4

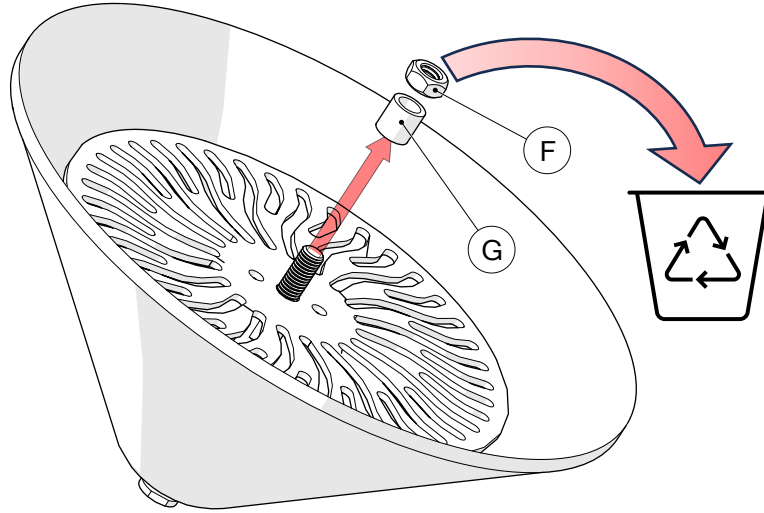


x4

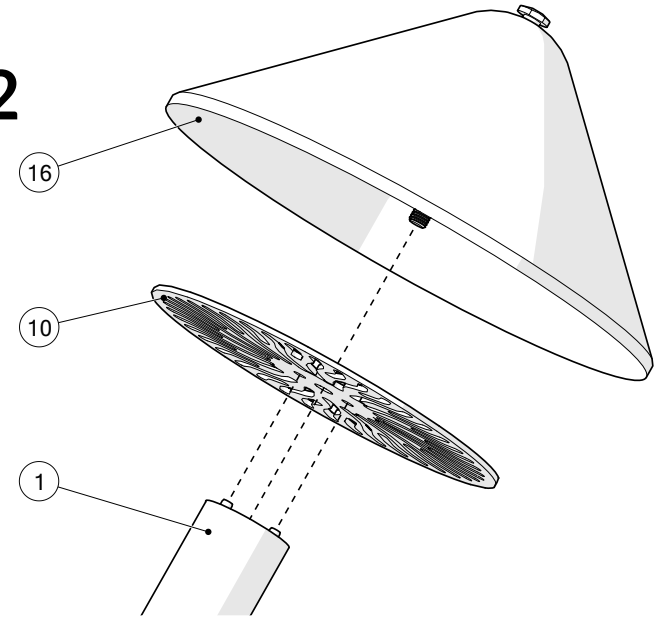


# 4. x6

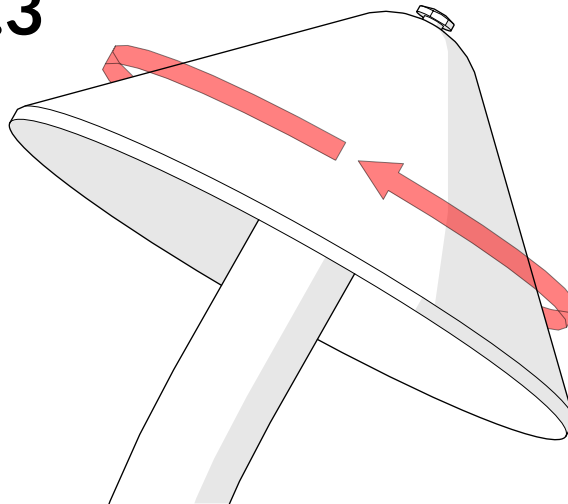
## 4.1



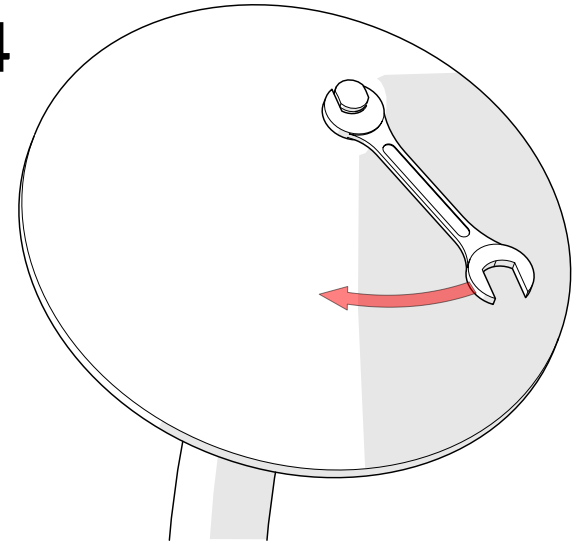
## 4.2



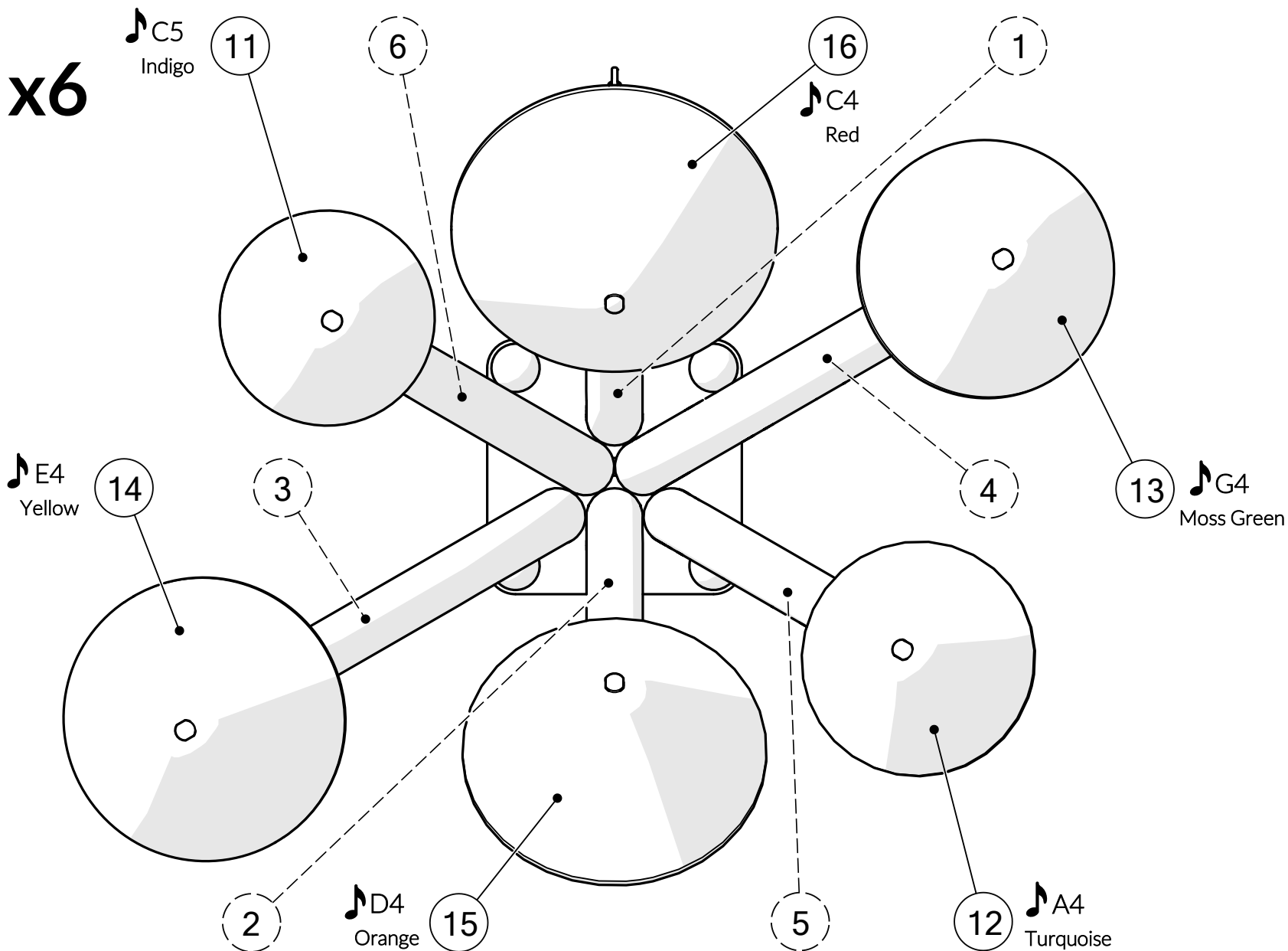
## 4.3



## 4.4

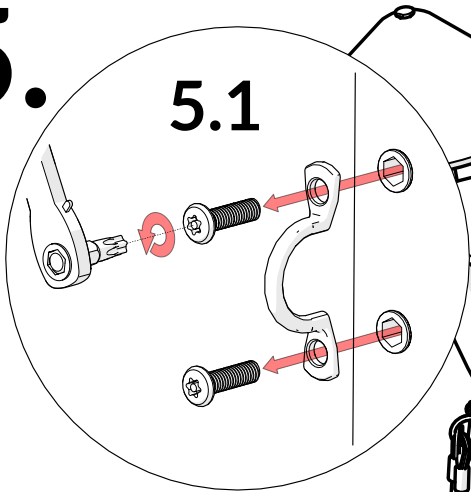


F		x6
G		x6



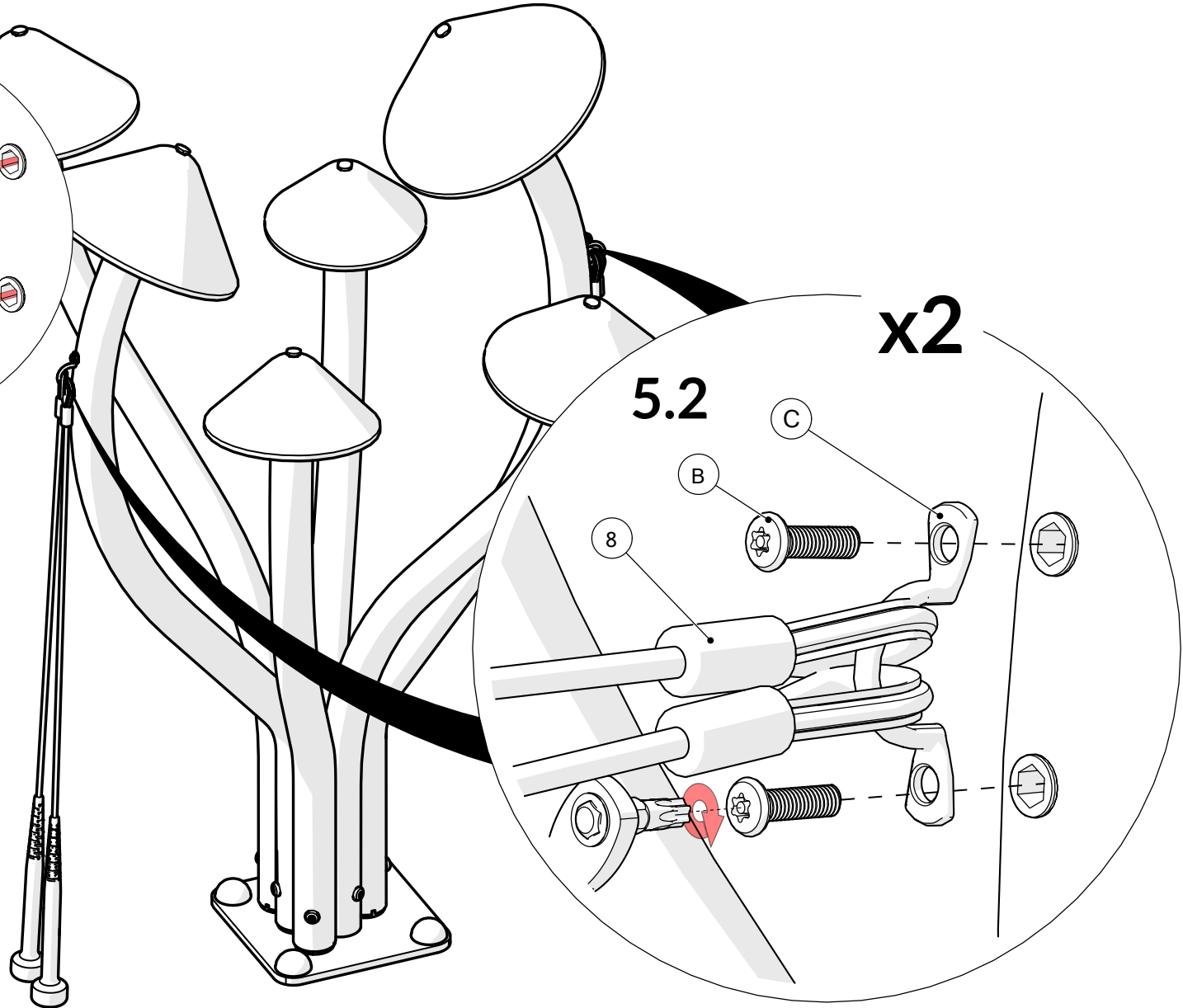
5.

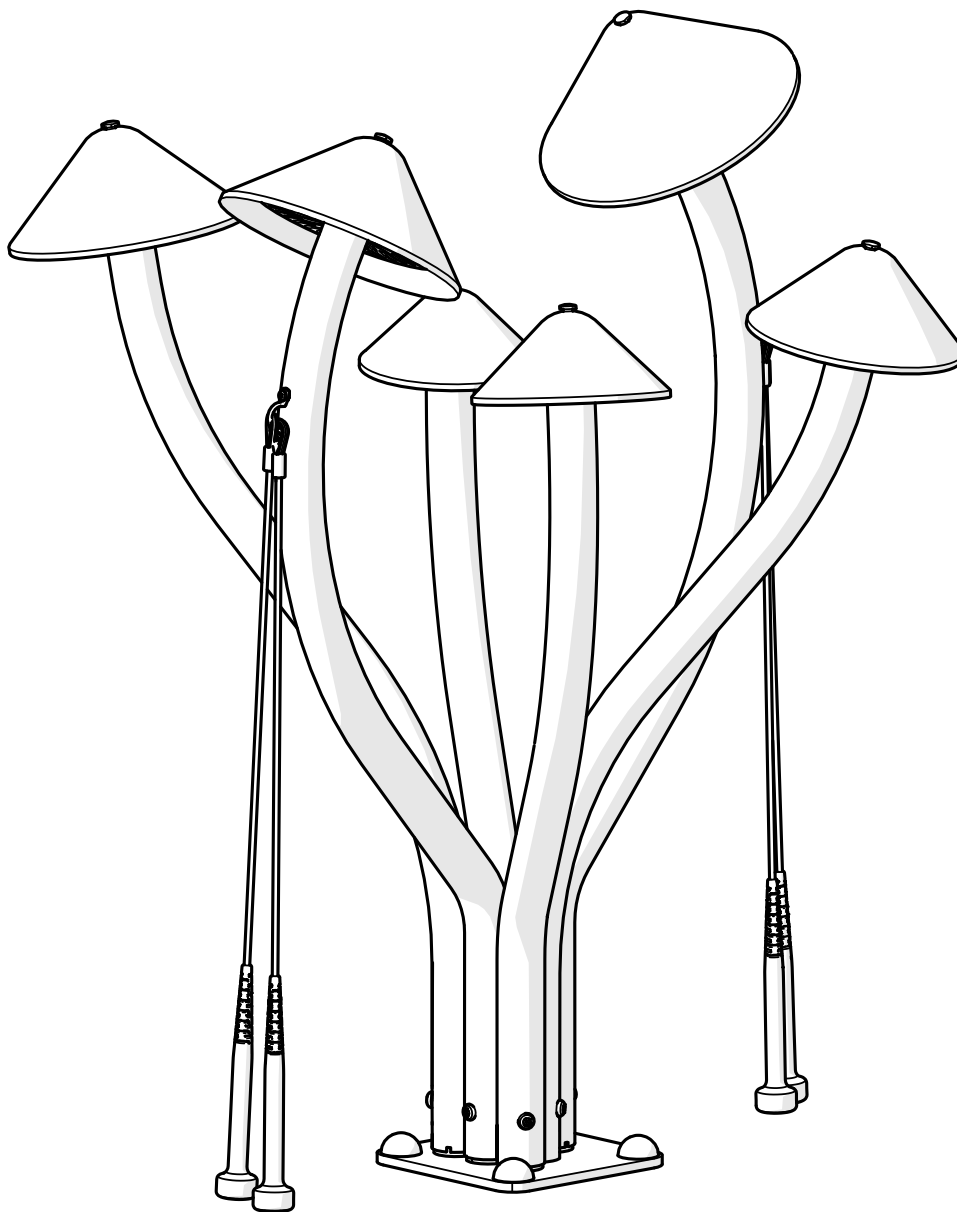
5.1



TX30

8		x4
B		x4
C		x2





[percussionplay.com](http://percussionplay.com)



[info@percussionplay.com](mailto:info@percussionplay.com)



UK  
[01730 235 180](tel:01730235180)

USA & CAN  
[+1 \(866\) 882 9170](tel:+18668829170)

EUR & ROW  
[+44 1730 235 180](tel:+441730235180)