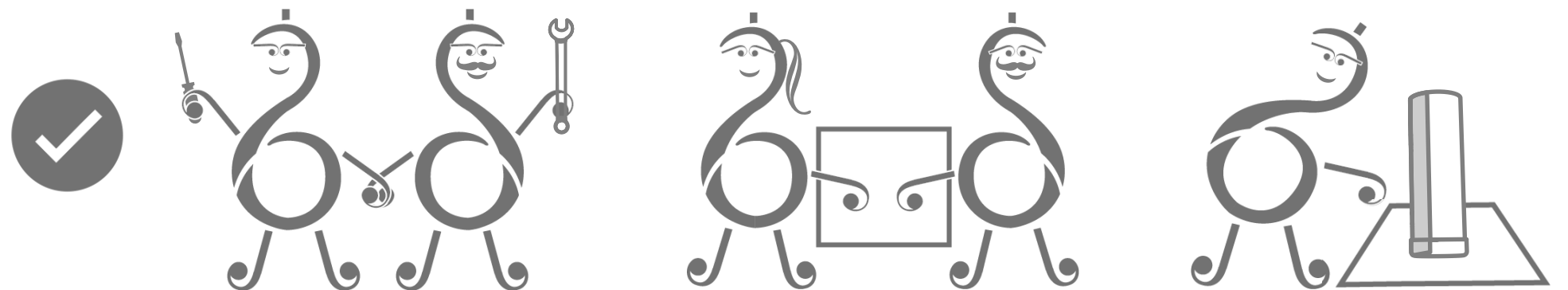
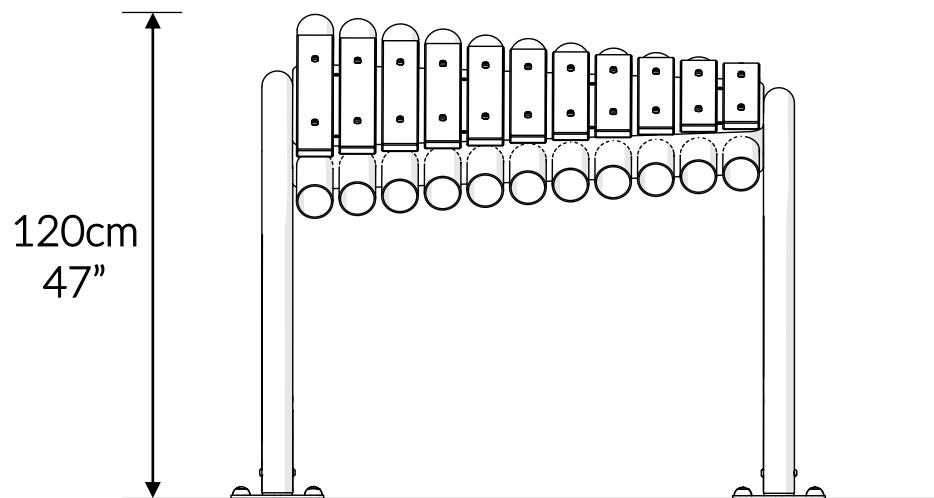
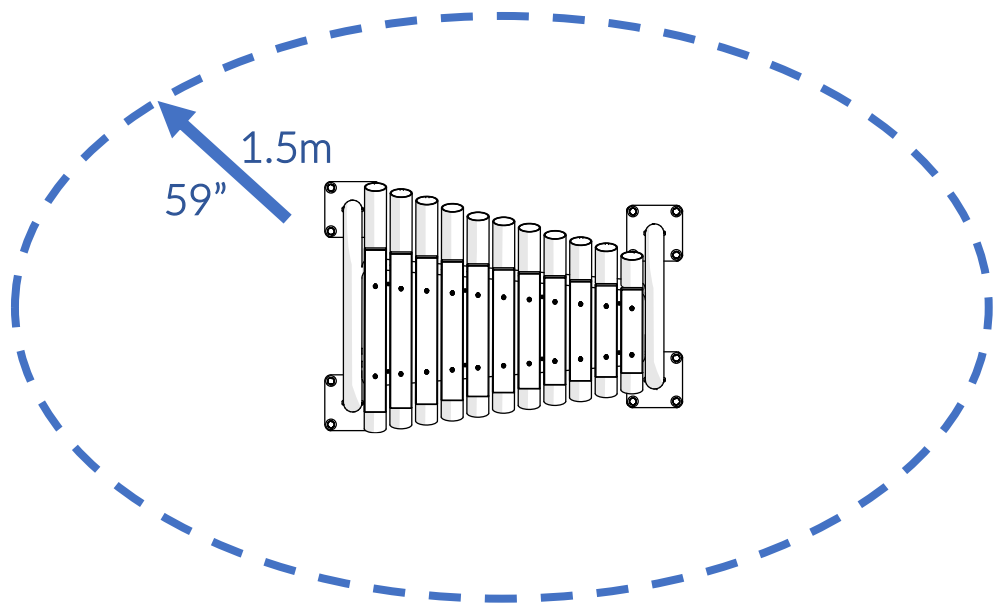


| Part Reference | Description                   |
|----------------|-------------------------------|
| PP-GMAR-SD-SU  | Grand Marimba - (Surface Fix) |

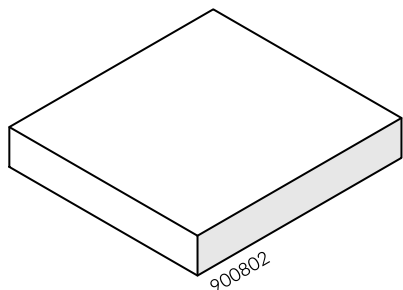




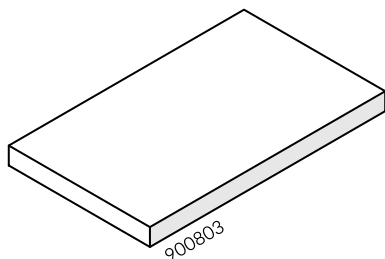


Check Risk Assessment

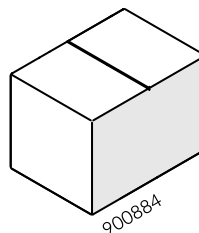
## Packages



x1



x1

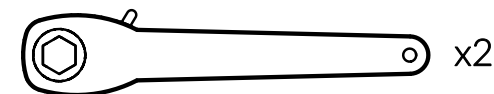


x4

|    |        | L            | W            | H           | Weight       | Net |
|----|--------|--------------|--------------|-------------|--------------|-----|
| x1 | 900802 | 130cm / 51"  | 120cm / 47"  | 22cm / 8.5" | 35kg / 77lbs |     |
| x1 | 900803 | 150cm / 59"  | 90cm / 35.5" | 11cm / 4.5" | 15kg / 33lbs |     |
| x4 | 900884 | 32cm / 12.5" | 23cm / 9"    | 23cm / 9"   | 6kg / 13lbs  |     |

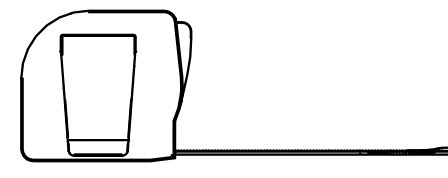
## Tools required (not supplied)

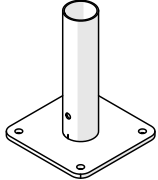

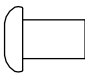


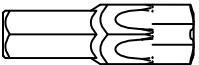
1/4" Bit Driver Ratchet

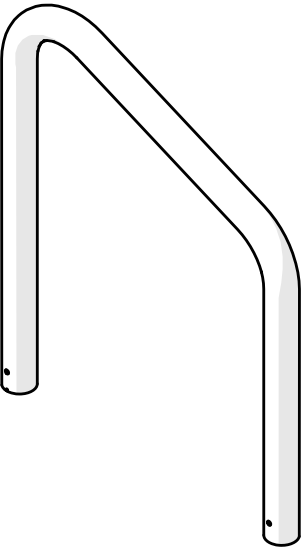
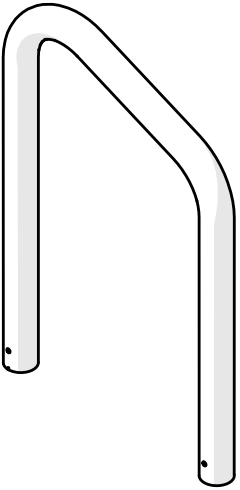


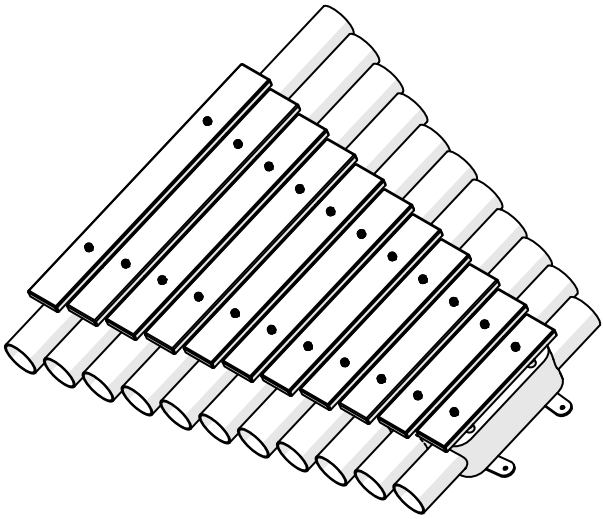
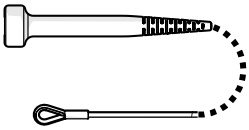
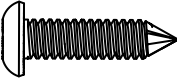
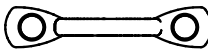
x2

Tape Measure

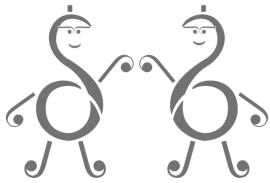


|                   |   |    |
|-------------------|---|----|
| 900884            |   | x4 |
| ④ x1<br>800878    |    |    |
| Ⓐ x1<br>500667    |    |    |
| Ⓑ x1<br>500613    |    |    |
| Ⓒ x4<br>601543    |    |    |
| Ⓓ x4<br>601542    |  |    |
| TX45 x2<br>500720 |  |    |

|           |   |
|-----------|---|
| 900803    |   |
| ② x1<br>L |   |
| ③ x1<br>R |  |

|   |   |                   |
|---|---|-------------------|
| 900802  |   | Not to scale      |
|  |   |                   |
| ⑤ x4<br>900832  |    | Ⓔ x4<br>501203    |
| Ⓔ x4<br>500460  |  | TX25 x1<br>500472 |
| Ⓕ x2<br>603150  |  | TX45 x1<br>500720 |

1.



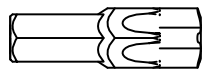
1.1

1.2

x4

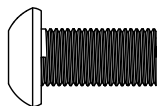
G

3



TX45

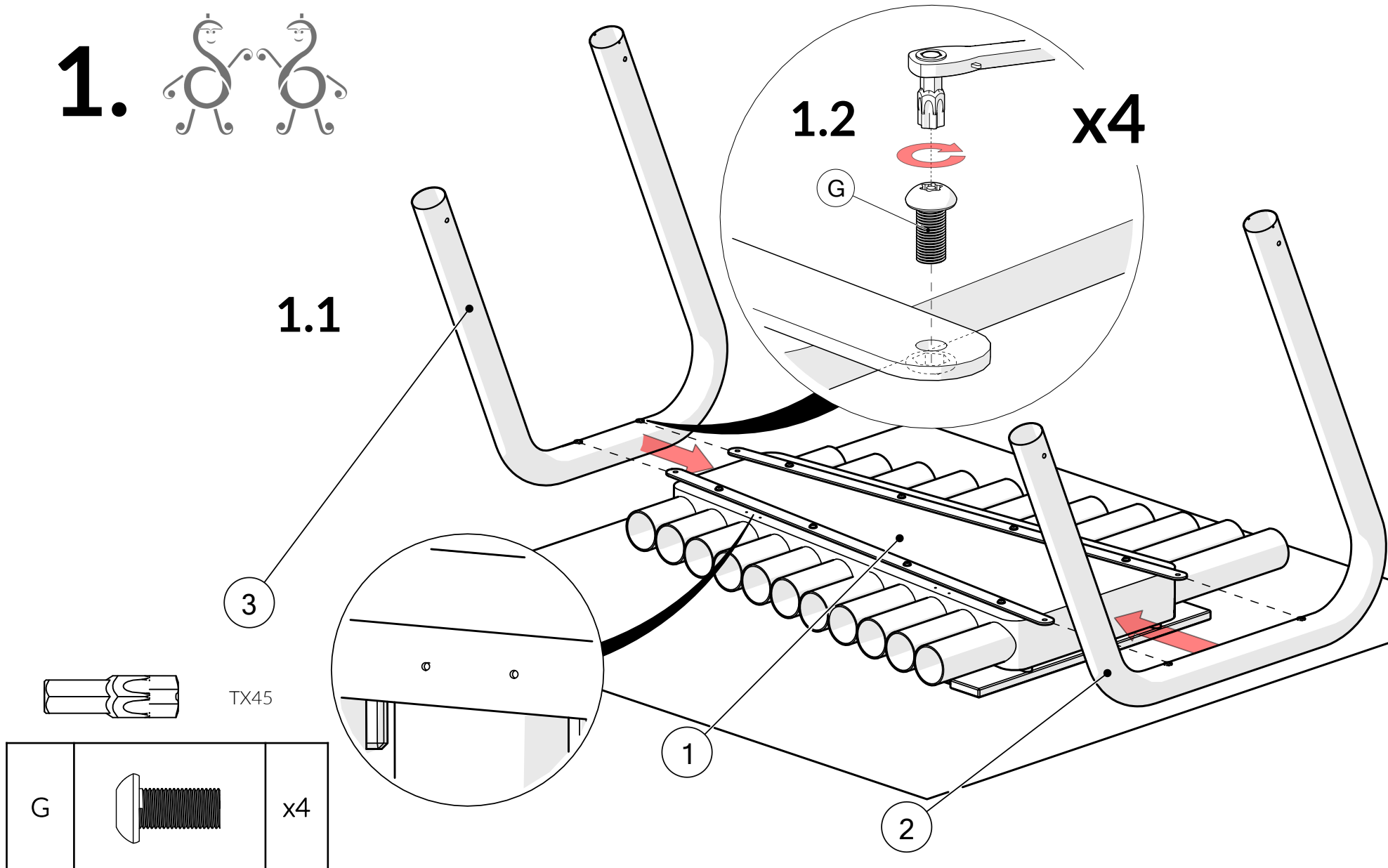
G



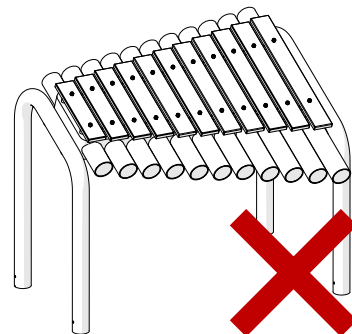
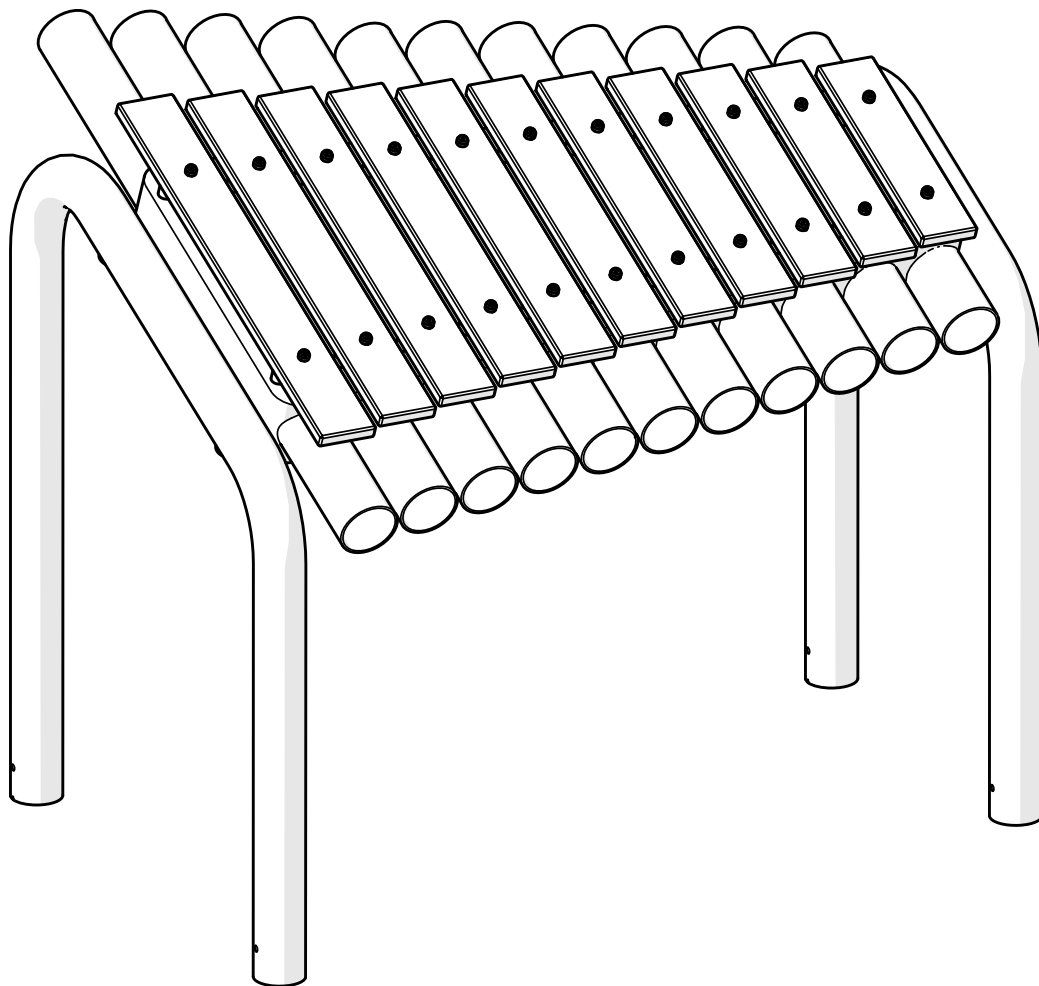
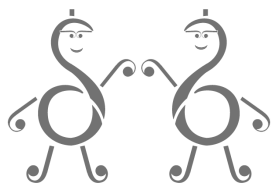
x4

1

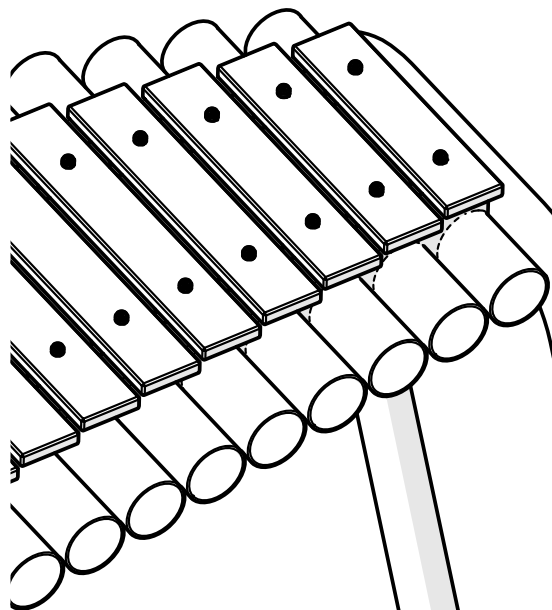
2



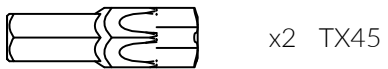
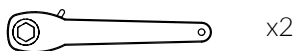
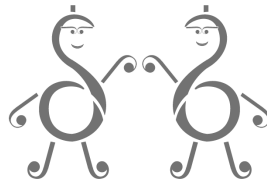
2.



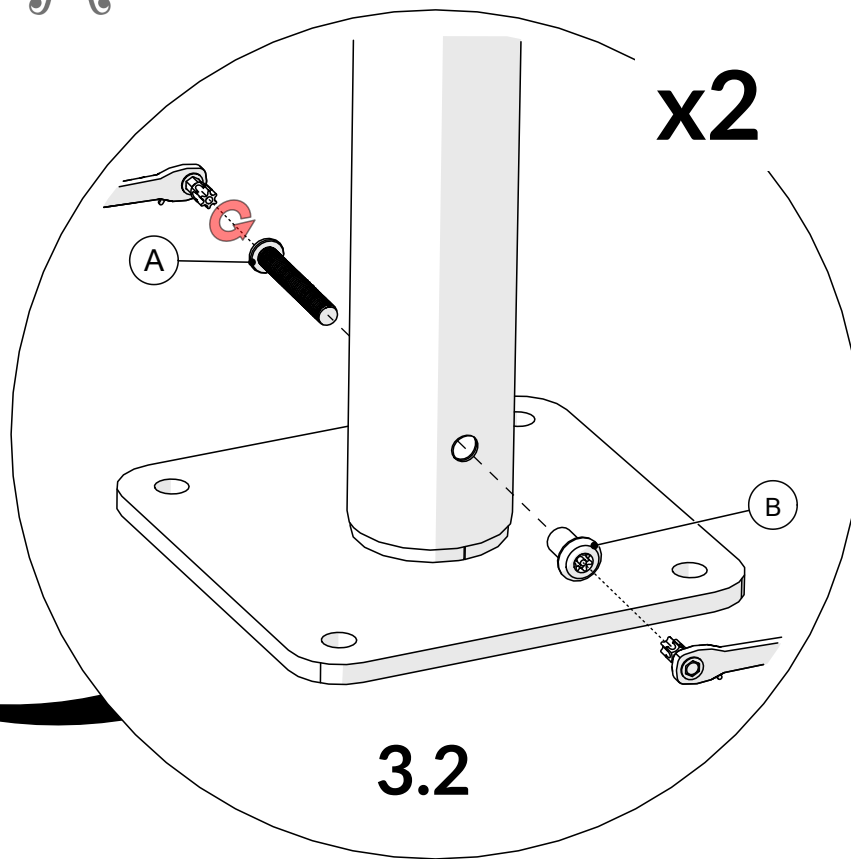
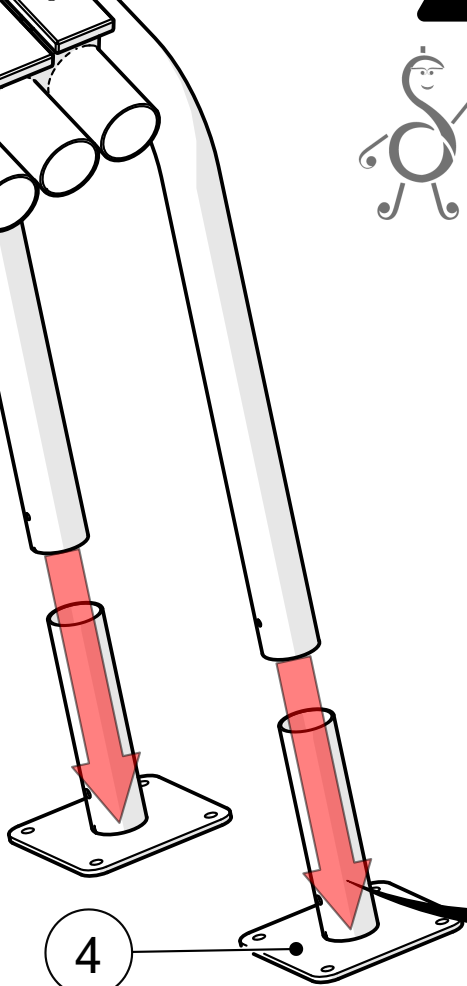
**3.**



**3.1**

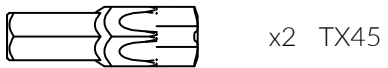
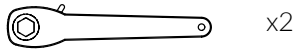
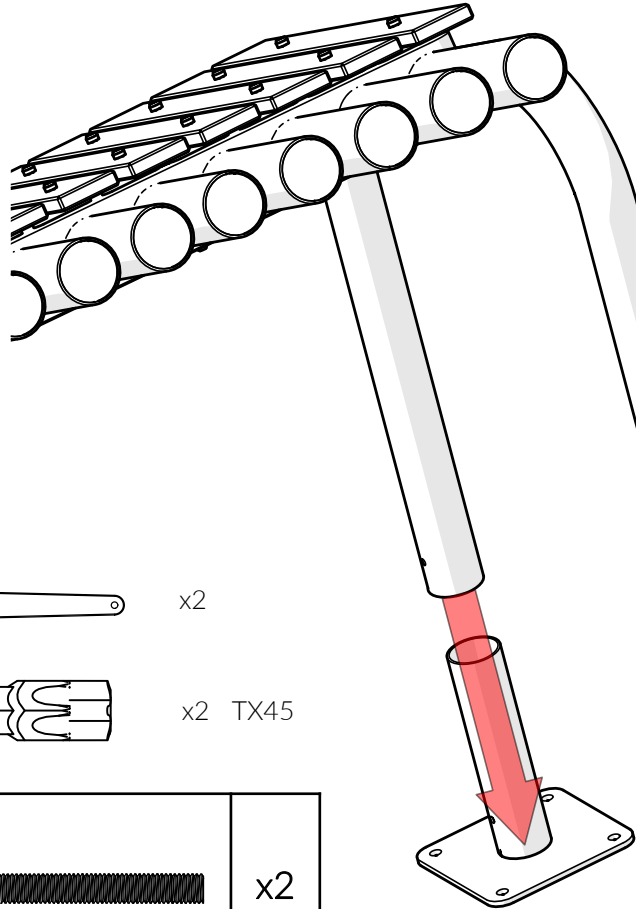
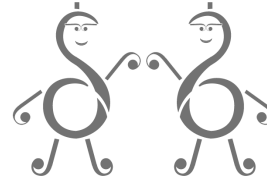



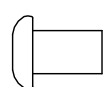
|   |  |    |
|---|--|----|
| A |  | x2 |
| B |  | x2 |



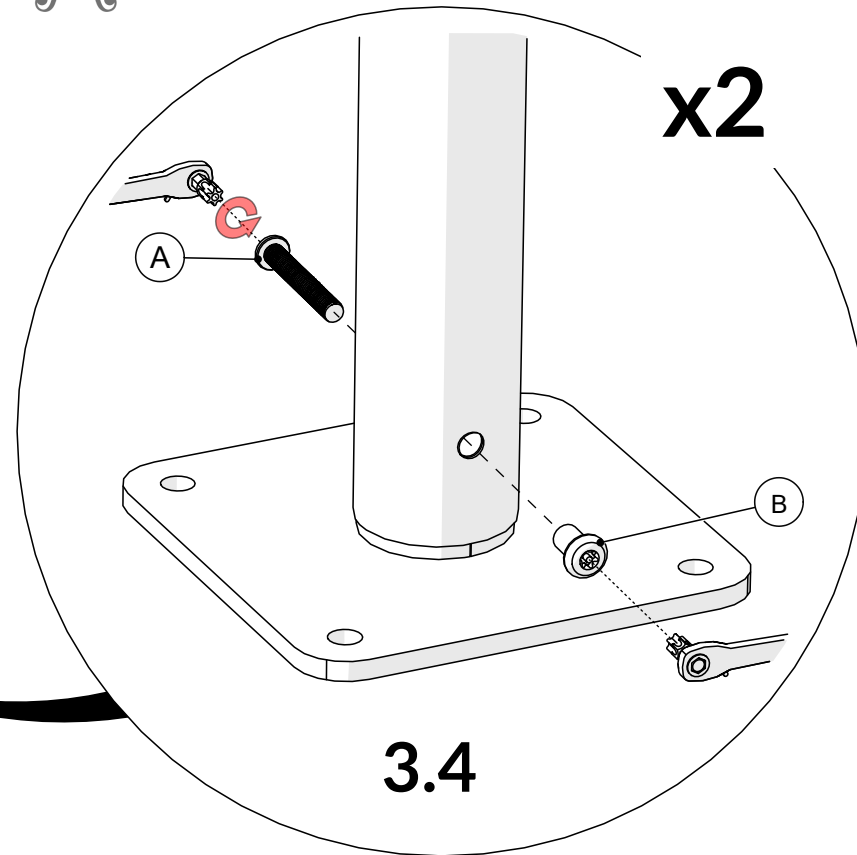


3.3



|   |   |    |
|---|---|----|
| A |  | x2 |
| B |  | x2 |

x2



# 4. x4



Surface fixing should not present a hazard

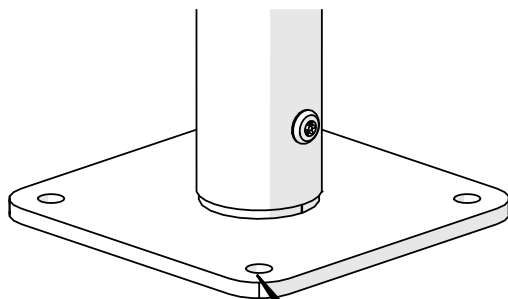
Refer to your local Health & Safety standards

|   |  |     |
|---|--|-----|
| C |  | x16 |
| D |  | x16 |

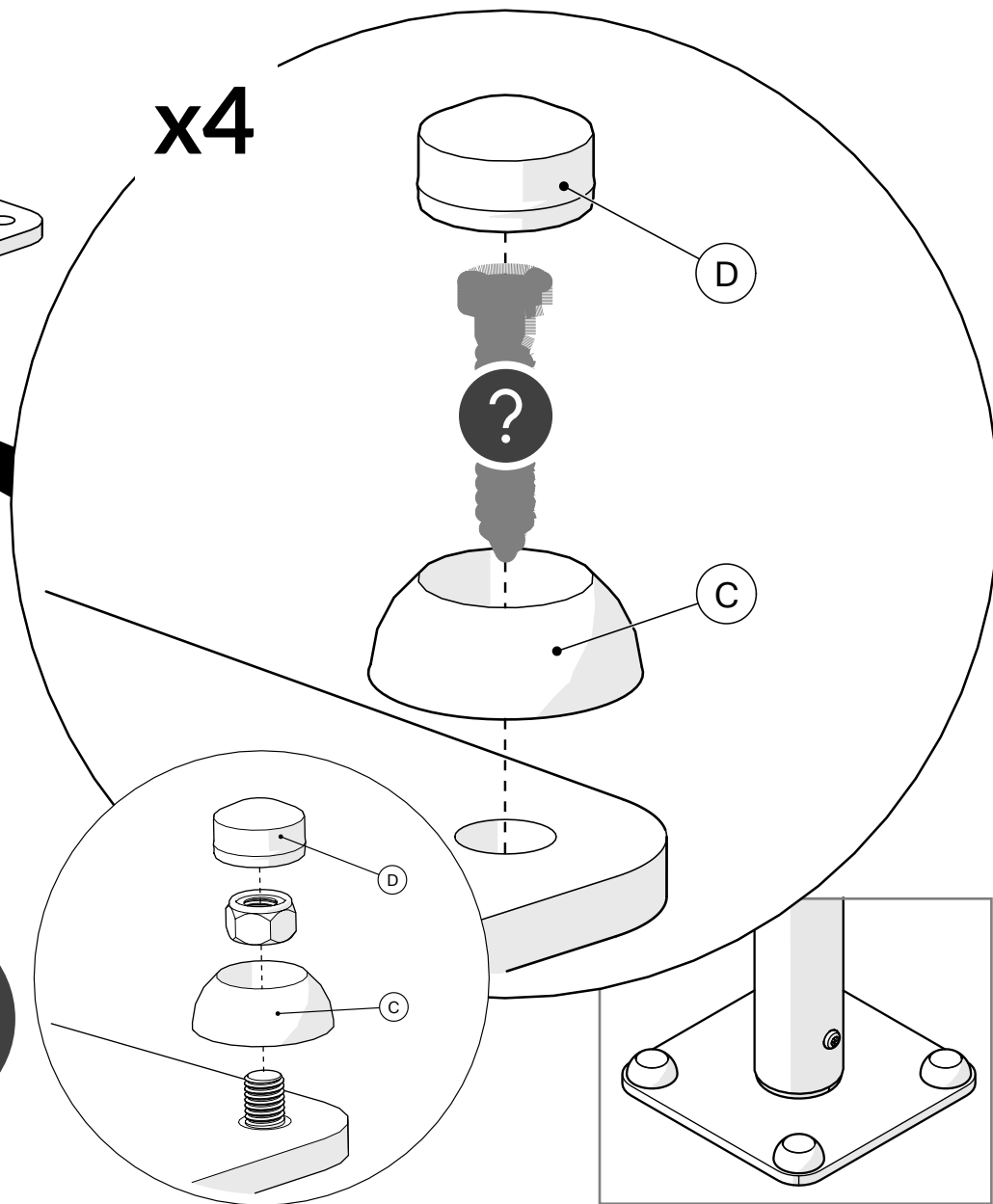
Surface

Example fixing

|  |          |  |     |
|--|----------|--|-----|
|  | Wood     |  | x16 |
|  | Concrete |  | x16 |
|  | Brick    |  | x16 |

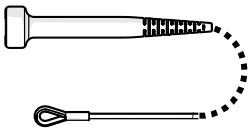
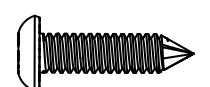
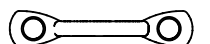


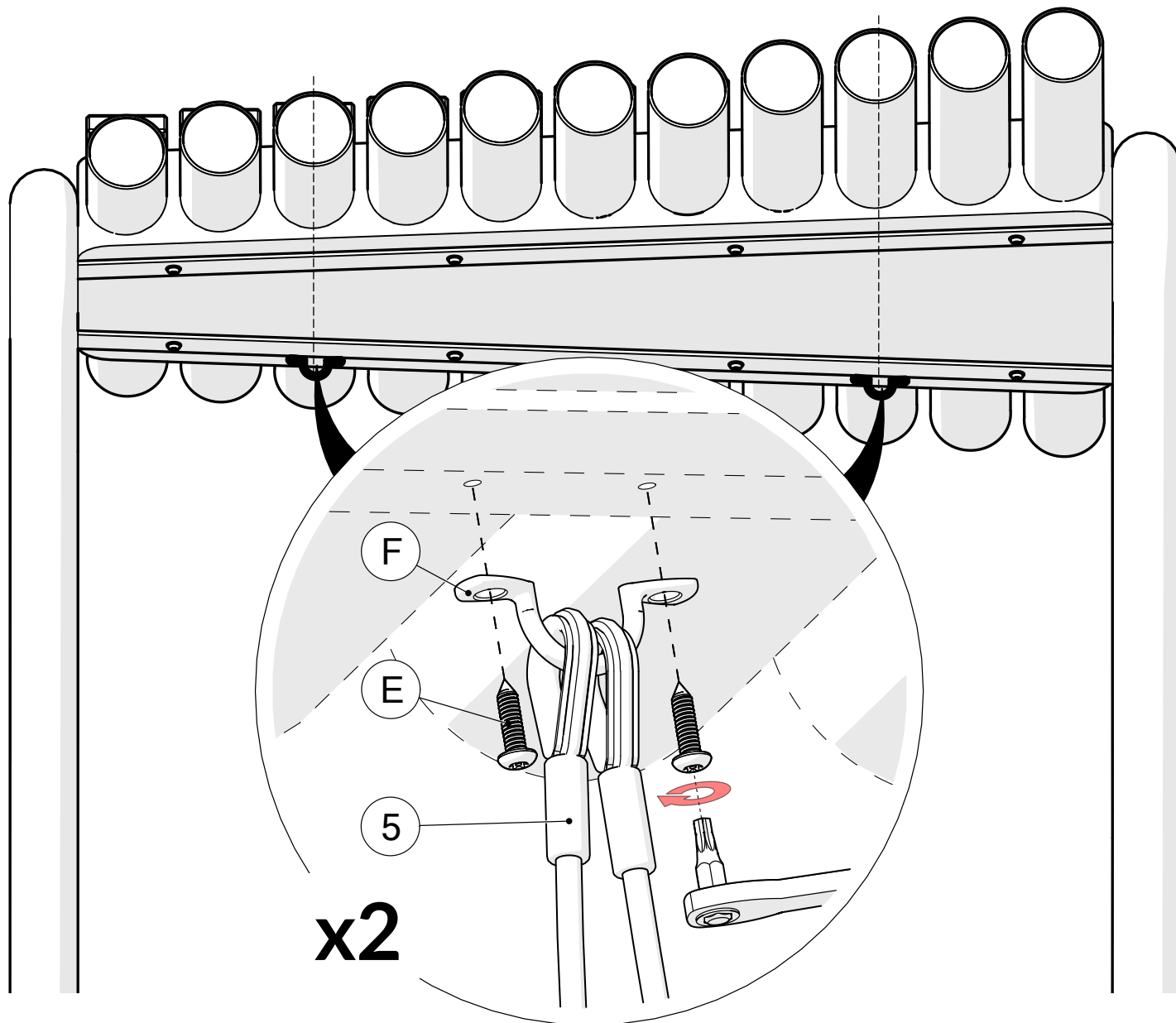
x4

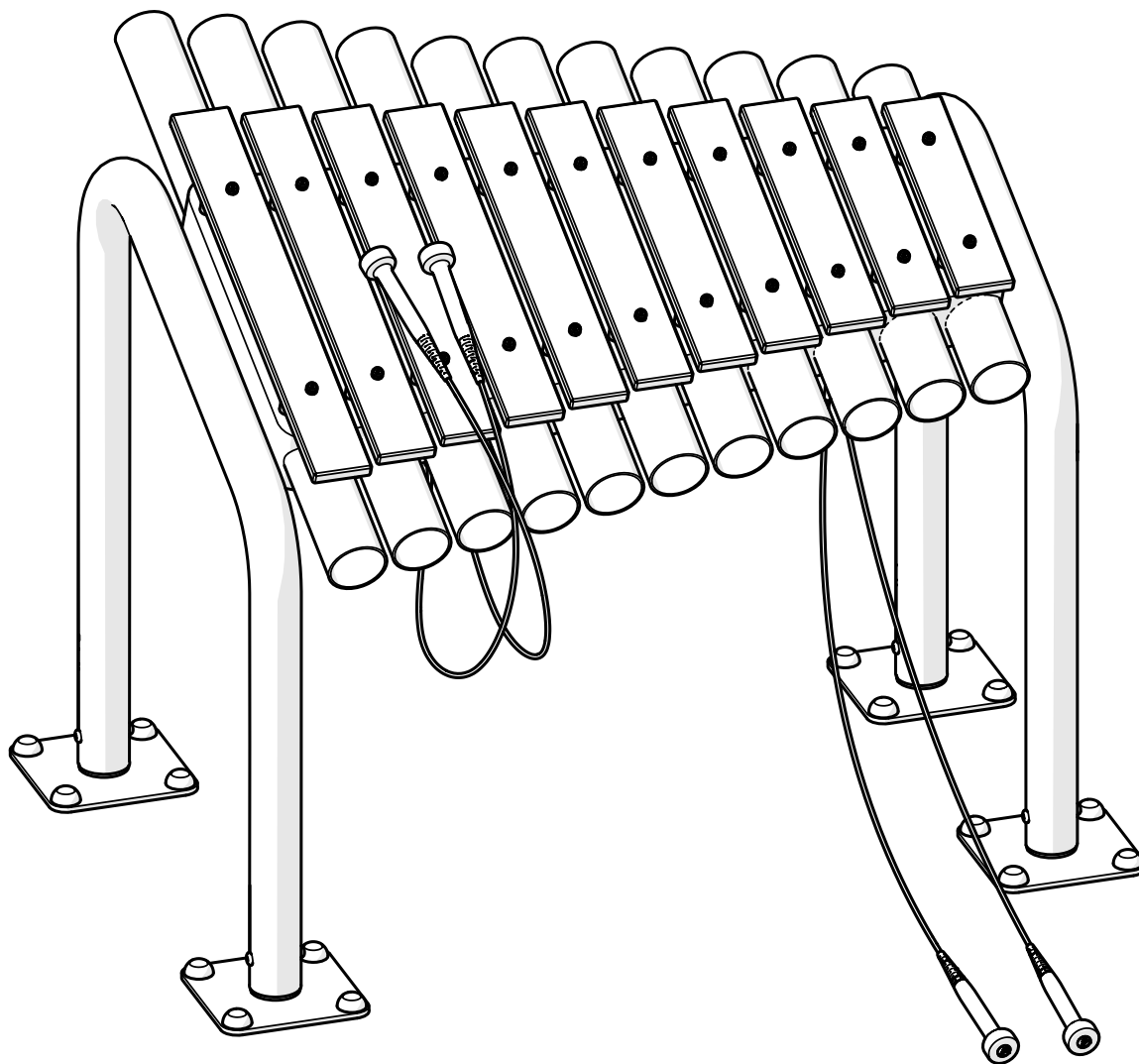


# 5.



|   |   |    |
|---|---|----|
| 5 |   | x4 |
| E |  | x4 |
| F |  | x2 |





[percussionplay.com](http://percussionplay.com)



[info@percussionplay.com](mailto:info@percussionplay.com)



UK  
[01730 235 180](tel:01730235180)

USA & CAN  
[+1 \(866\) 882 9170](tel:+18668829170)

EUR & ROW  
[+44 1730 235 180](tel:+441730235180)