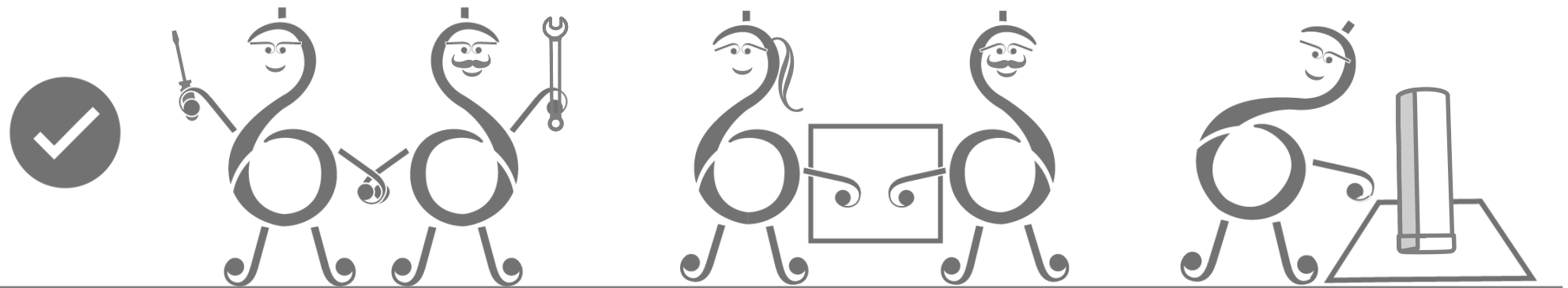
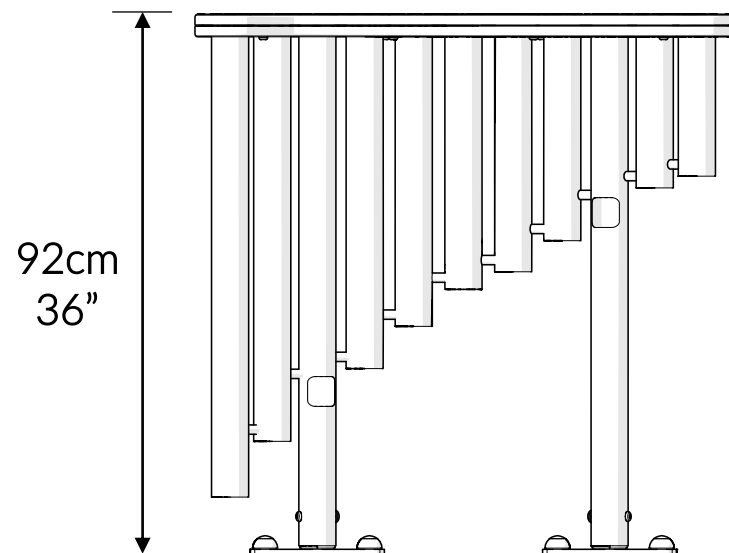
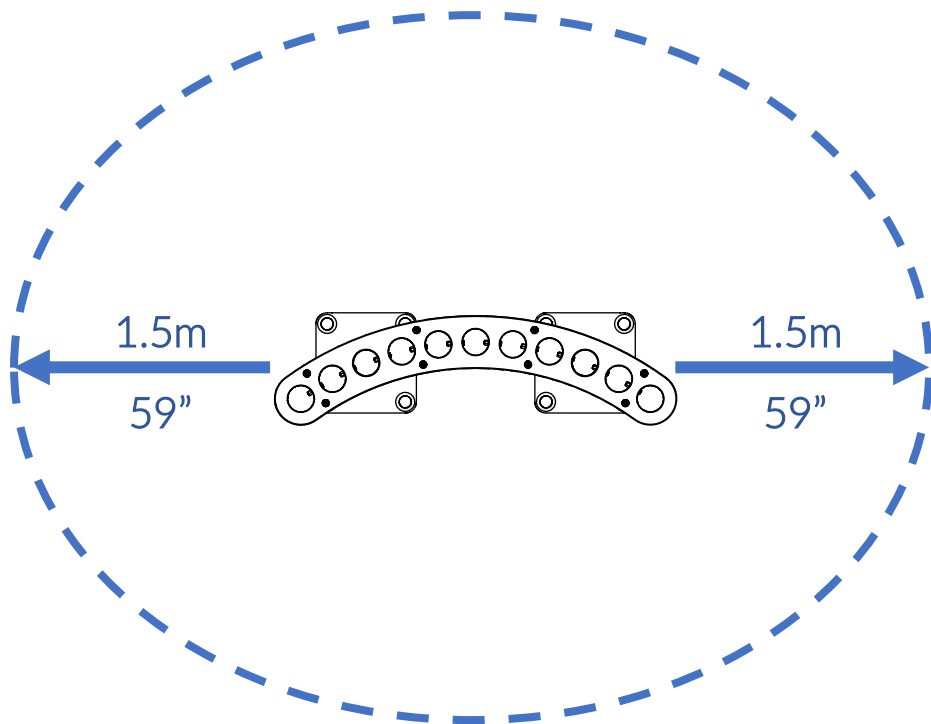


Part Reference	Description
PP-HAND-SU	Handpipes (Surface Fix)

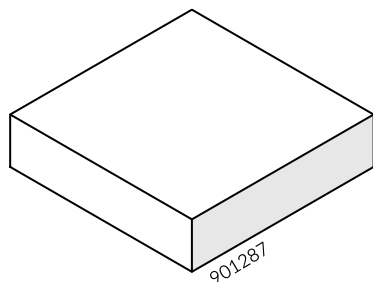






Check Risk Assessment

Packages

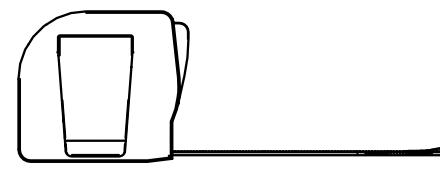


x1

		L	W	H	Weight	Net
x1	901287	92cm / 36"	92cm / 36"	23cm / 9"	50kg / 110lbs	

Tools required (not supplied)

Tape Measure



901287

Not to scale

① x1

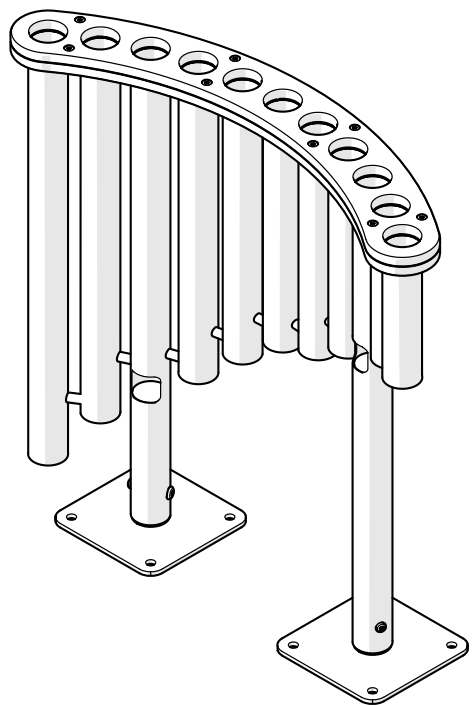
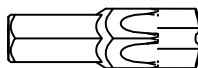
Ⓐ x8
601543



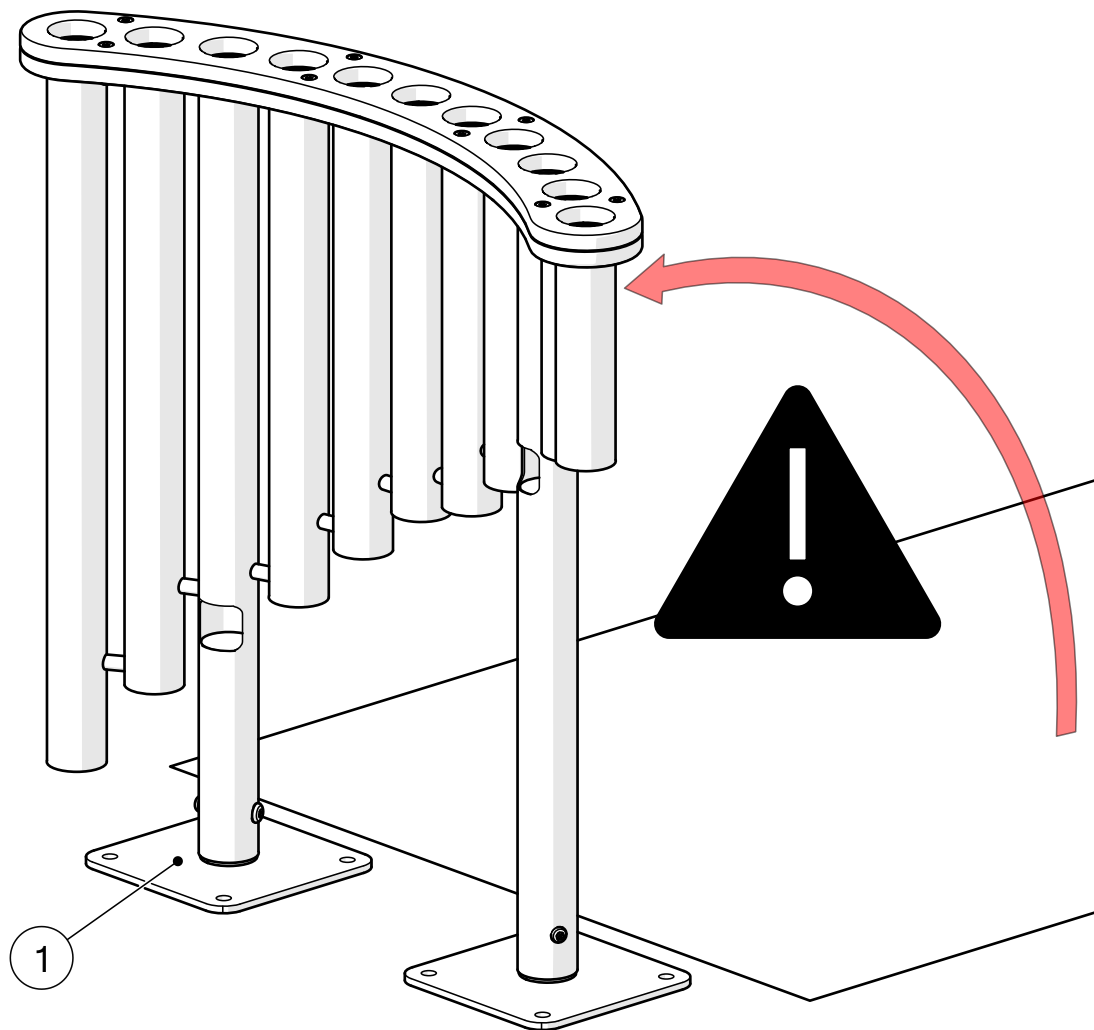
Ⓑ x8
601542



TX45 x2
500720



1.



2. x2



Surface fixing should not present a hazard

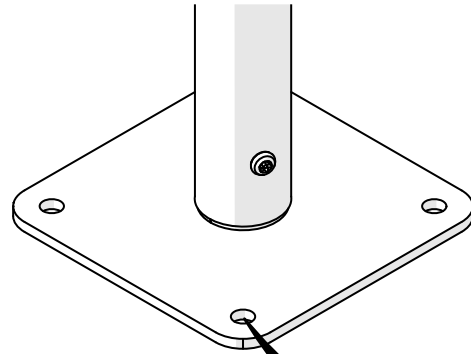
Refer to your local Health & Safety standards

A		x8
B		x8

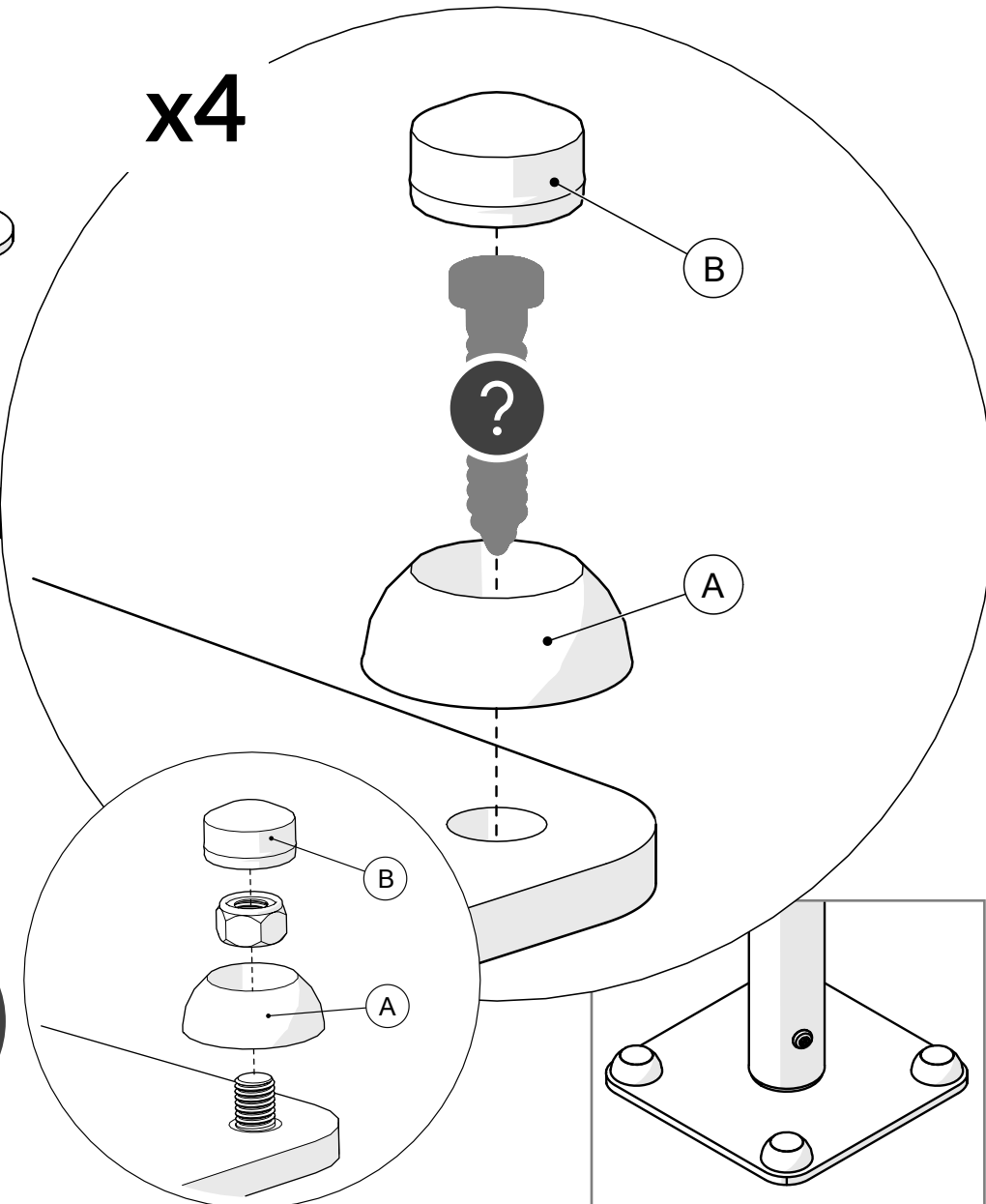
Surface

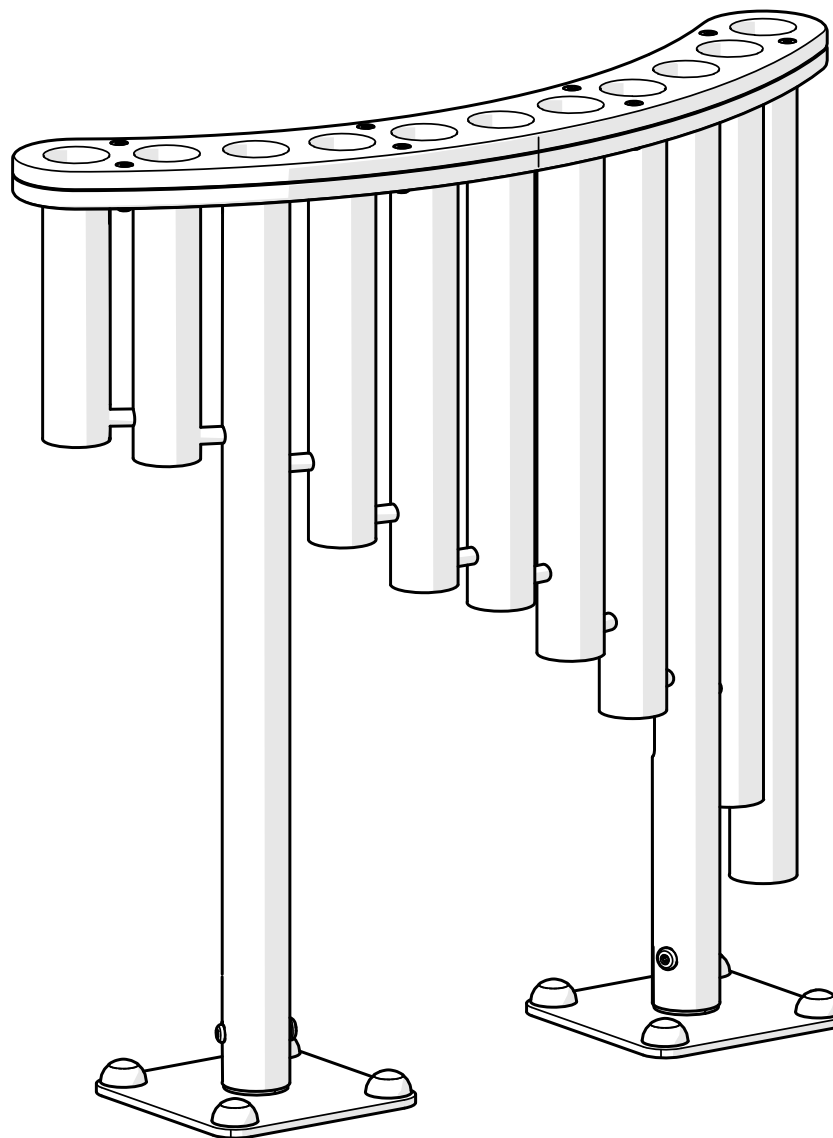
Example fixing

	Wood		x8
	Concrete		x8
	Brick		x8



x4





percussionplay.com



info@percussionplay.com



UK
[01730 235 180](tel:01730235180)

USA & CAN
[+1 \(866\) 882 9170](tel:+18668829170)

EUR & ROW
[+44 1730 235 180](tel:+441730235180)